



US00D664921S

(12) **United States Design Patent**
Stone et al.

(10) **Patent No.:** **US D664,921 S**

(45) **Date of Patent:** **** Aug. 7, 2012**

(54) **POWER ADAPTER**

(75) Inventors: **Jason F. Stone**, South San Francisco, CA (US); **William A. DeMeulenaere**, Newark, CA (US); **Poh Choon Low**, Richmond (CA); **Barry Marshall**, Santa Clara, CA (US)

(73) Assignee: **ACCO Brands Corporation**, Lincolnshire, IL (US)

(**) Term: **14 Years**

(21) Appl. No.: **29/382,755**

(22) Filed: **Jan. 6, 2011**

(51) **LOC (9) Cl.** **13-02**

(52) **U.S. Cl.** **D13/110**

(58) **Field of Classification Search** D13/110, D13/107, 108, 123, 133, 137.1, 199; 174/53, 174/54, 59, 61; 307/150, 151; 320/111, 320/114; 363/140, 142, 143, 146; 439/105, 439/166, 171-173, 218, 518, 692, 956
See application file for complete search history.

(56) **References Cited**

U.S. PATENT DOCUMENTS

5,019,767 A * 5/1991 Shirai et al. 320/112
D327,050 S * 6/1992 Zirinsky D13/110

D338,653 S * 8/1993 Morgan et al. D13/110
5,502,618 A * 3/1996 Chiou 361/695
5,648,712 A * 7/1997 Hahn 320/111
D427,147 S * 6/2000 Wei D13/110
D427,969 S * 7/2000 Wei D13/110
D554,584 S * 11/2007 Feldman et al. D13/110
D570,772 S * 6/2008 Mahaffey et al. D13/110
D575,227 S * 8/2008 So D13/110

* cited by examiner

Primary Examiner — Derrick Holland

(74) *Attorney, Agent, or Firm* — Kilpatrick Townsend & Stockton LLP

(57) **CLAIM**

The ornamental design for a power adapter, as shown and described.

DESCRIPTION

FIG. 1 is a perspective view of a power adapter showing our new design;

FIG. 2 is a top plan view thereof;

FIG. 3 is a bottom plan view thereof;

FIG. 4 is a right side plan view thereof;

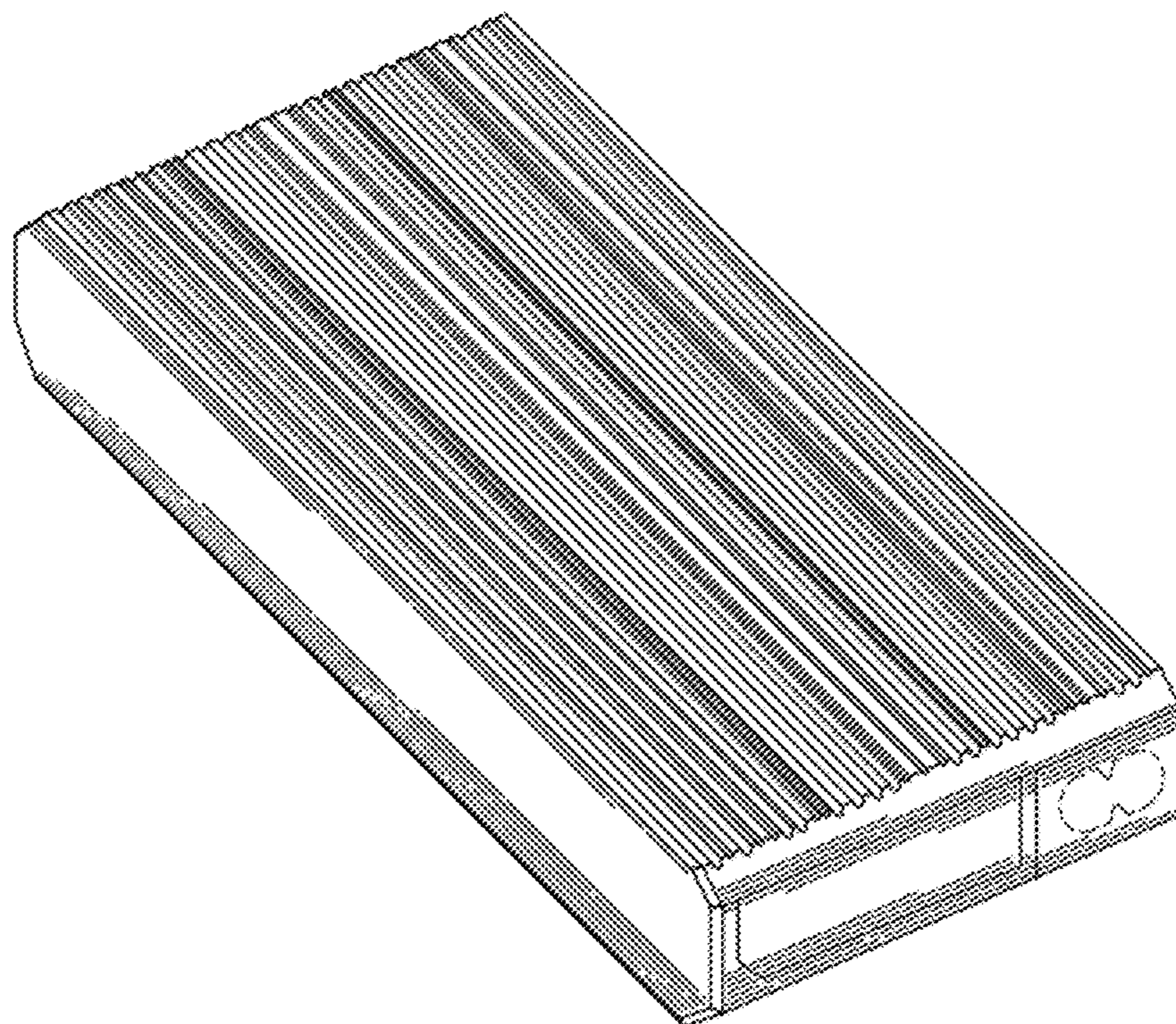
FIG. 5 is a left side plan view thereof;

FIG. 6 is a rear plan view thereof; and,

FIG. 7 is a front plan view thereof.

The broken lines shown represent unclaimed subject matter and form no part of the claimed design.

1 Claim, 5 Drawing Sheets



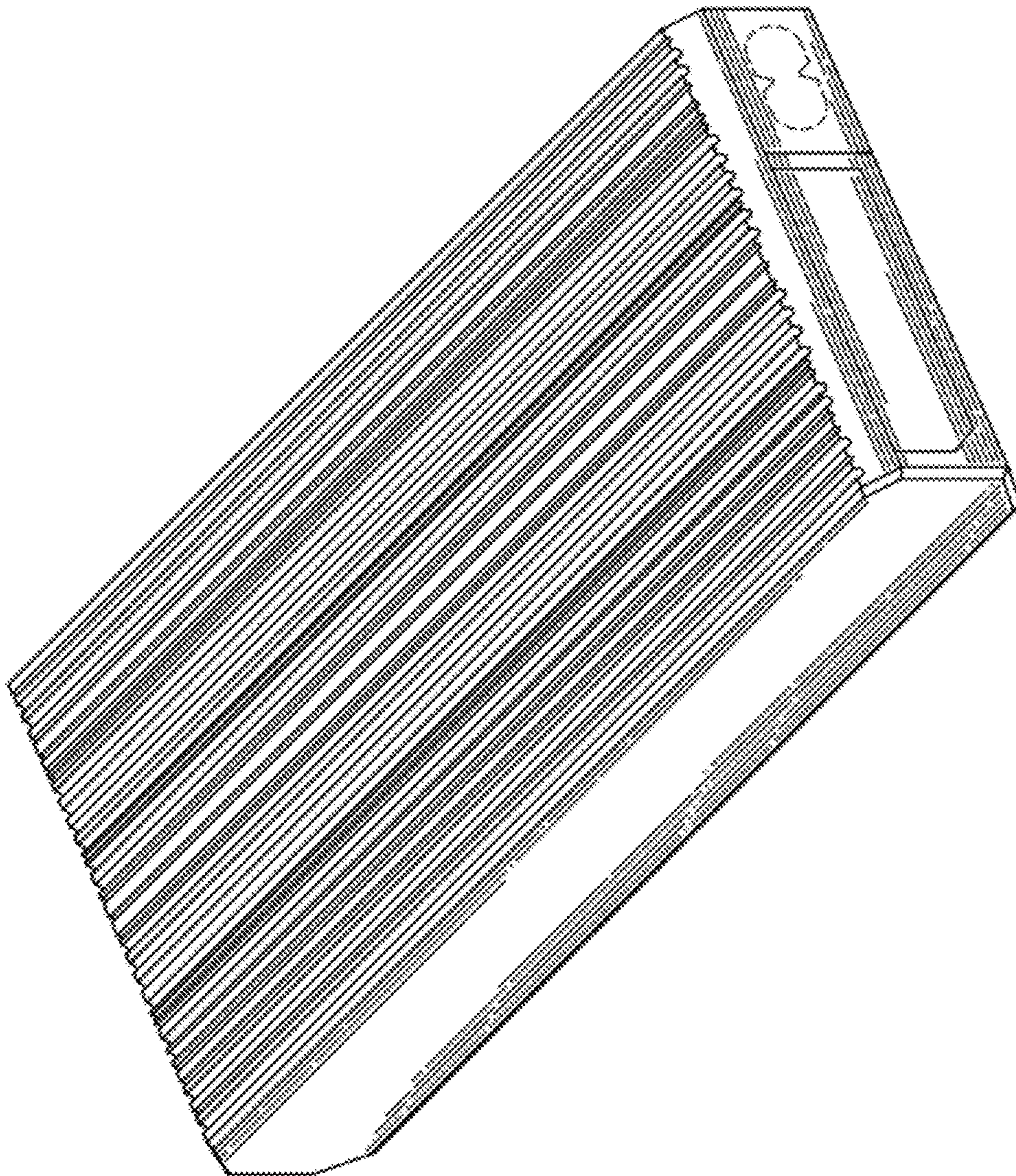


FIG. 1

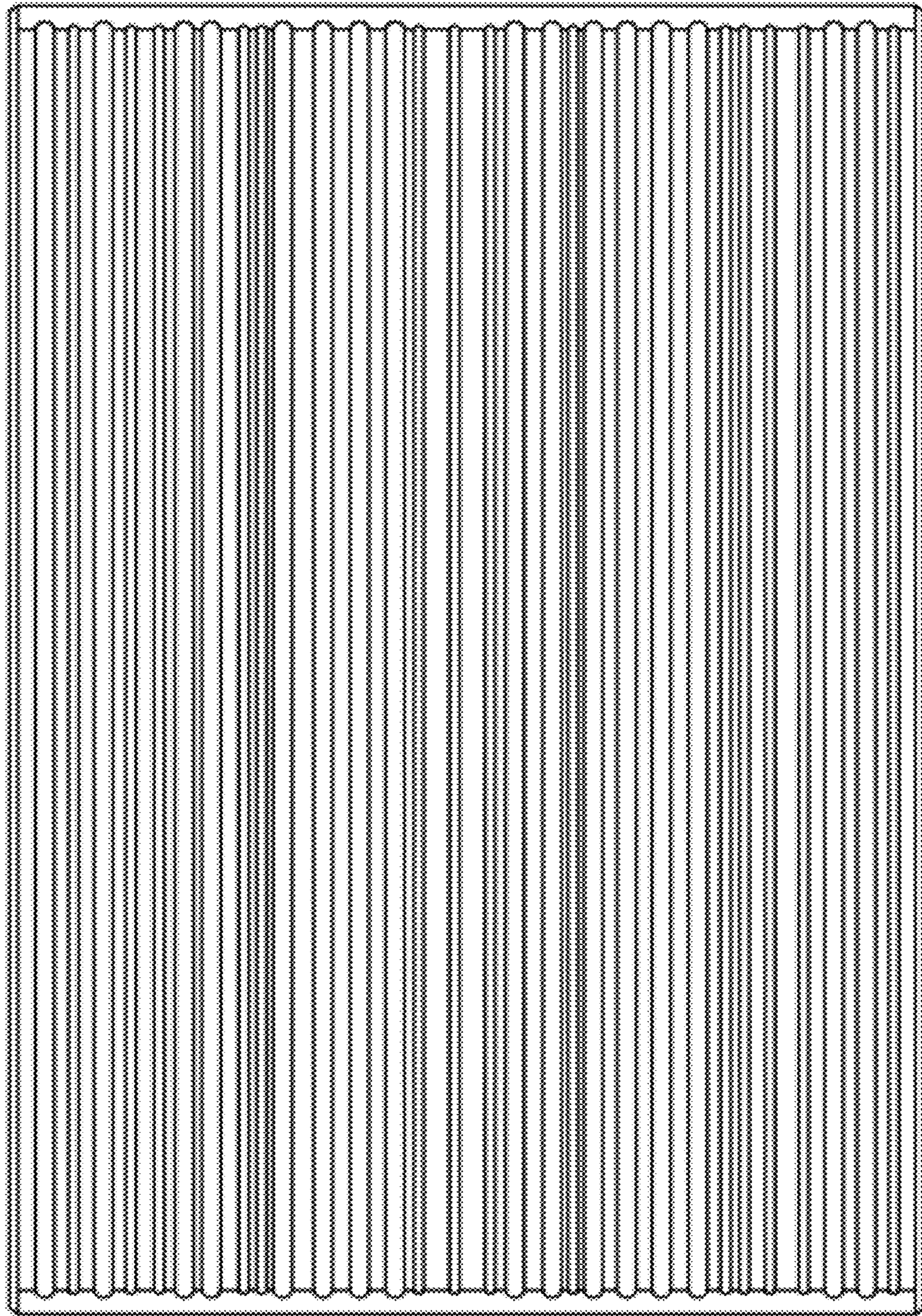


FIG. 2

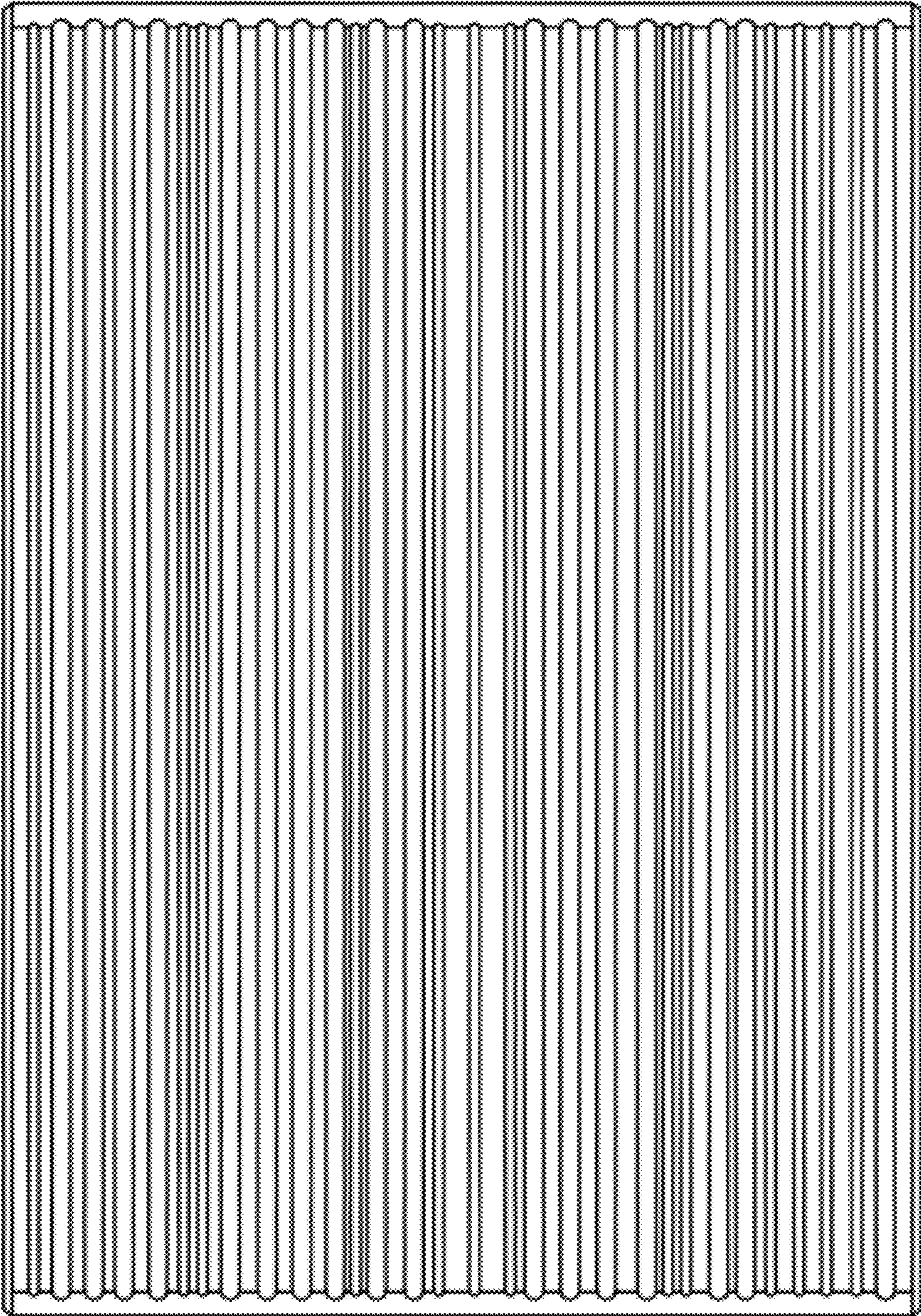


FIG. 3

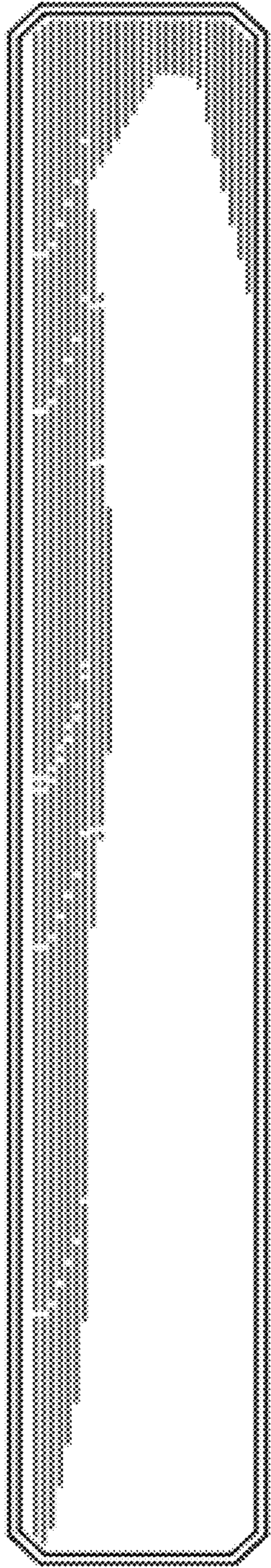


FIG. 4

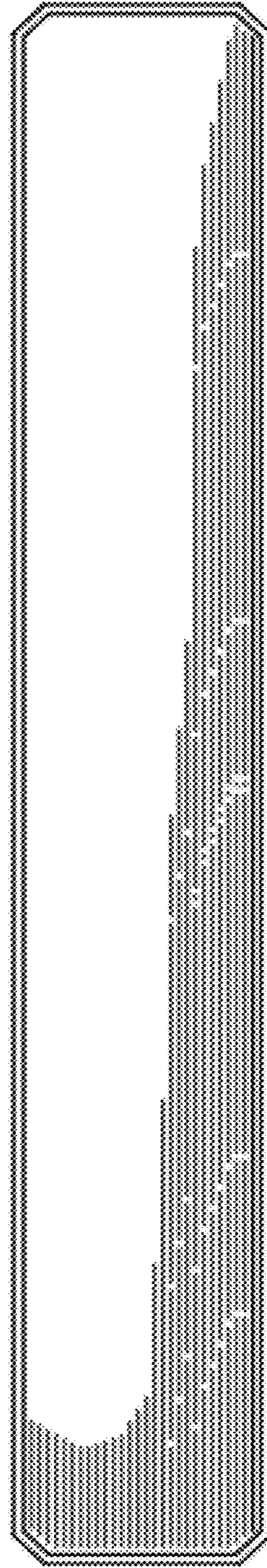


FIG. 5

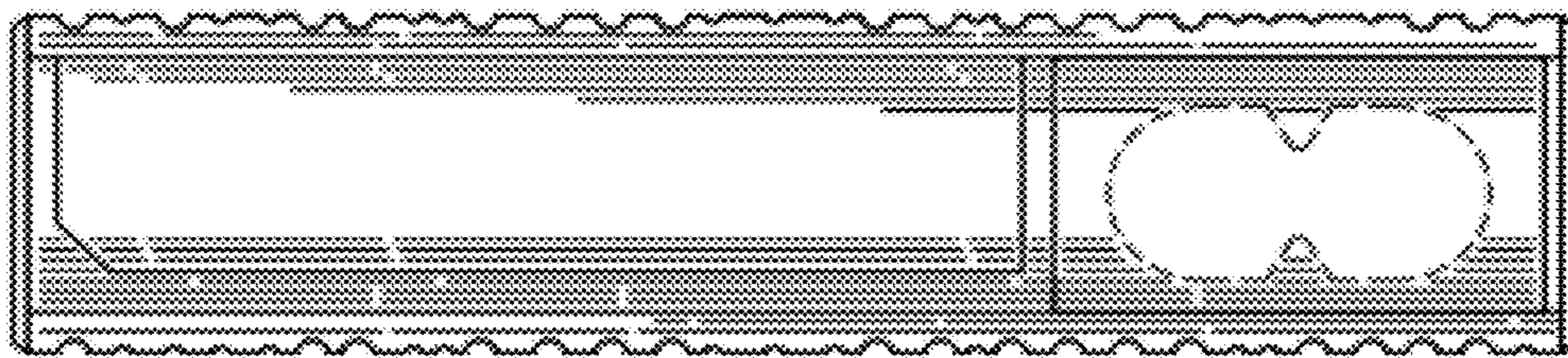


FIG. 6

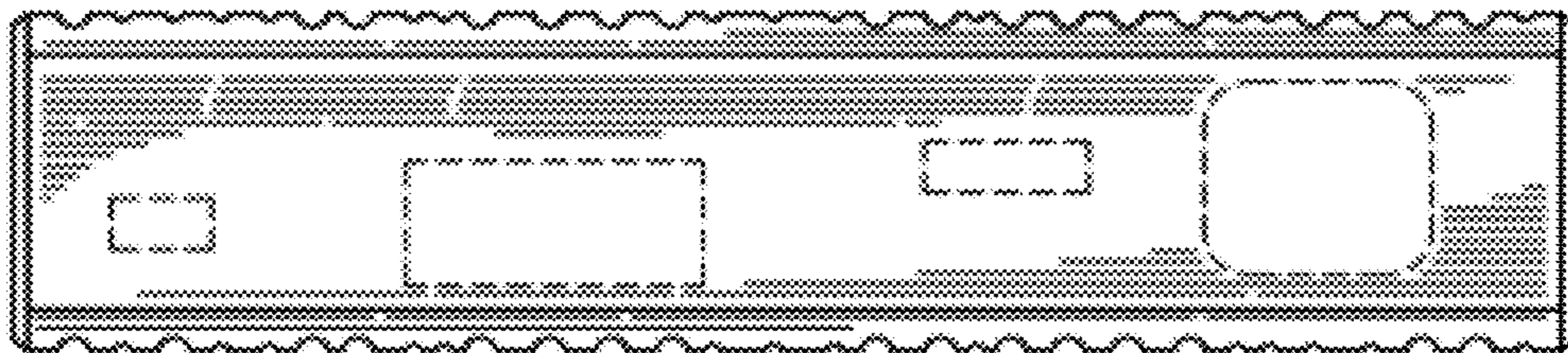


FIG. 7