



US00D664917S

(12) **United States Design Patent**
Taguchi

(10) **Patent No.:** **US D664,917 S**

(45) **Date of Patent:** **** Aug. 7, 2012**

(54) **LITHIUM ION CAPACITOR**

(75) Inventor: **Makoto Taguchi**, Kai (JP)

(73) Assignee: **JM Energy Corporation**, Hokuto-shi (JP)

(**) Term: **14 Years**

(21) Appl. No.: **29/398,113**

(22) Filed: **Jul. 26, 2011**

(30) **Foreign Application Priority Data**

Feb. 21, 2011	(JP)	2011-3616
Jun. 20, 2011	(JP)	2011-13933
Jun. 20, 2011	(JP)	2011-13934

(51) **LOC (9) Cl.** **13-02**

(52) **U.S. Cl.** **D13/103**

(58) **Field of Classification Search** D13/102–106,
D13/110, 118–119, 184; 429/96–100, 149,
429/163, 176, 187

See application file for complete search history.

(56) **References Cited**

U.S. PATENT DOCUMENTS

4,391,883	A *	7/1983	Williamson et al.	429/97
D587,646	S *	3/2009	Ushijima et al.	D13/103
D591,230	S *	4/2009	Tasai	D13/103
D592,129	S *	5/2009	Masuda et al.	D13/103
D642,978	S *	8/2011	Sato et al.	D13/103
D644,176	S *	8/2011	Sato et al.	D13/119
D645,813	S *	9/2011	Yamauchi et al.	D13/103
D652,382	S *	1/2012	Yamauchi et al.	D13/119
2004/0247994	A1 *	12/2004	Masuda et al.	429/66

* cited by examiner

Primary Examiner — Rosemary K Tarcza

(74) *Attorney, Agent, or Firm* — Oblon, Spivak, McClelland, Maier & Neustadt, L.L.P.

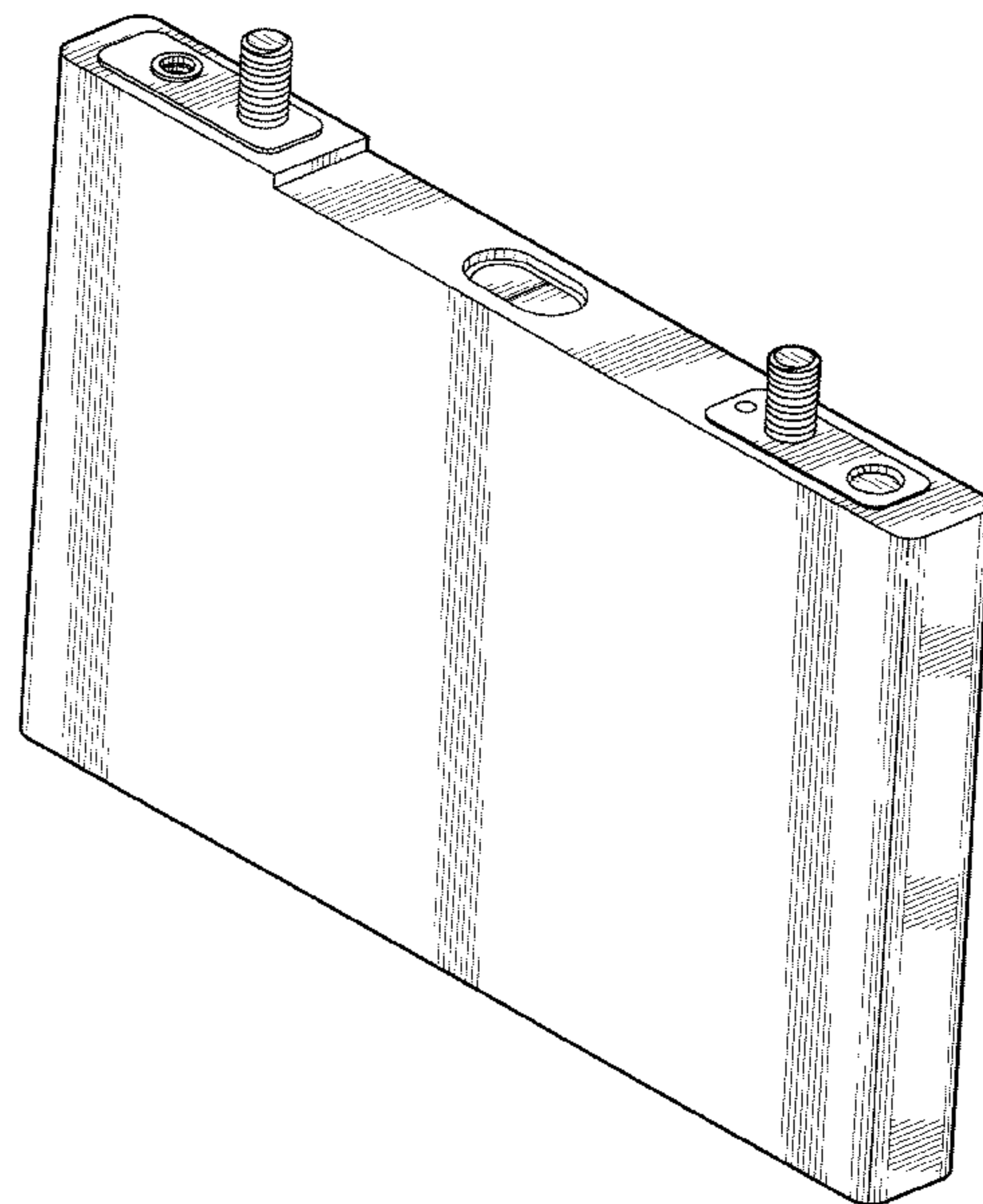
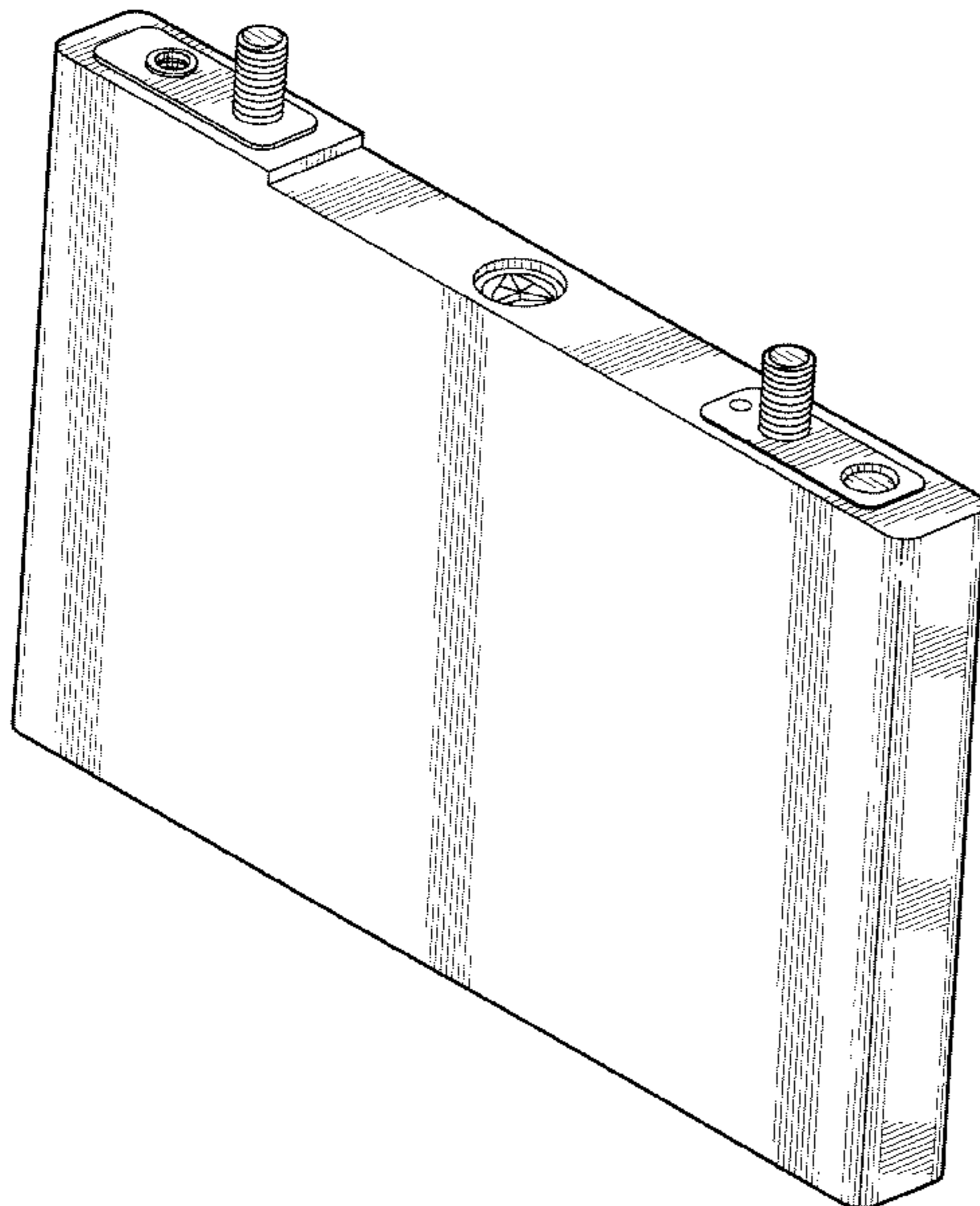
(57) **CLAIM**

The ornamental design for a lithium ion capacitor, as shown and described.

DESCRIPTION

FIG. 1 is a front elevational view of a first embodiment of a lithium ion capacitor;
 FIG. 2 is a rear elevational view thereof;
 FIG. 3 is a right side elevational view thereof;
 FIG. 4 is a left side elevational view thereof;
 FIG. 5 is a top plan view thereof;
 FIG. 6 is a bottom plan view thereof;
 FIG. 7 is a rear, top, and left side perspective view thereof;
 FIG. 8 is a front elevational view of a second embodiment of a lithium ion capacitor;
 FIG. 9 is a rear elevational view thereof;
 FIG. 10 is a right side elevational view thereof;
 FIG. 11 is a left side elevational view thereof;
 FIG. 12 is a top plan view thereof;
 FIG. 13 is a bottom plan view thereof;
 FIG. 14 is a rear, top, and left side perspective view thereof;
 FIG. 15 is a front elevational view of a third embodiment of a lithium ion capacitor;
 FIG. 16 is a rear elevational view thereof;
 FIG. 17 is a right side elevational view thereof;
 FIG. 18 is a left side elevational view thereof;
 FIG. 19 is a top plan view thereof;
 FIG. 20 is a bottom plan view thereof; and
 FIG. 21 is a rear, top, and left side perspective view thereof.

1 Claim, 21 Drawing Sheets



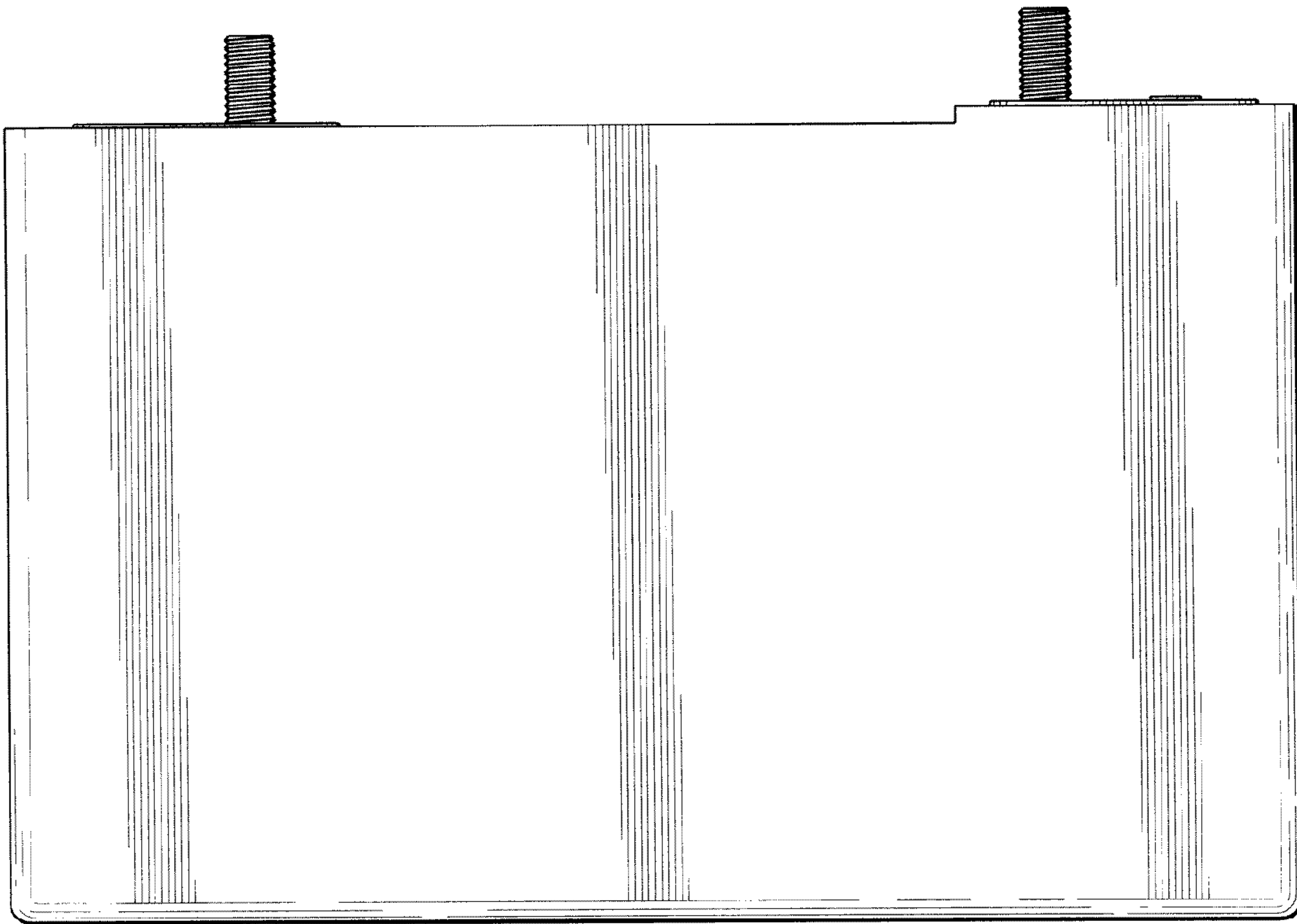


Fig. 1

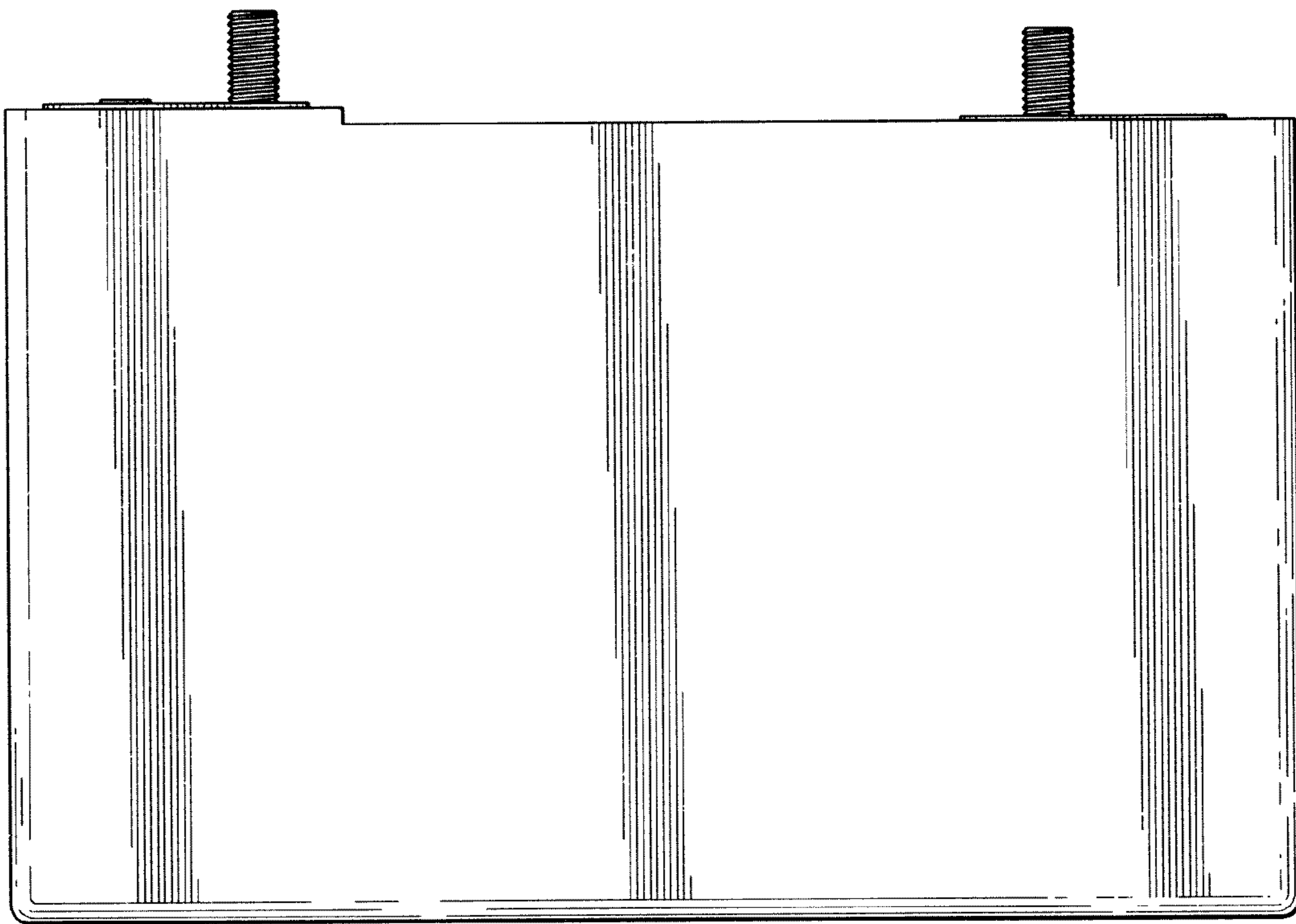


Fig. 2

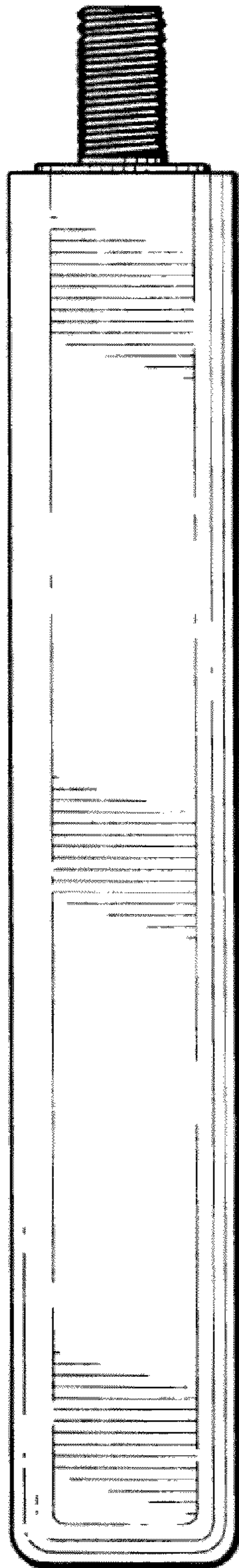


Fig. 3

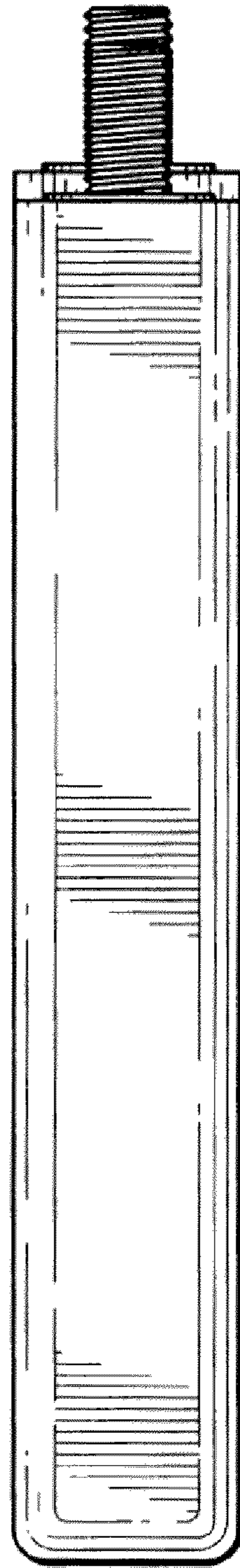


Fig. 4

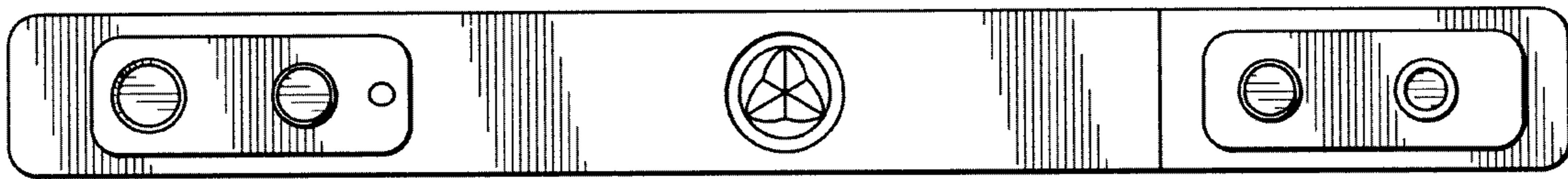


Fig. 5

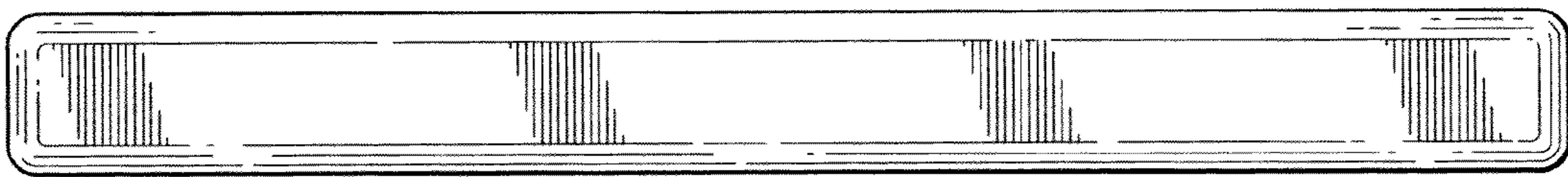


Fig. 6

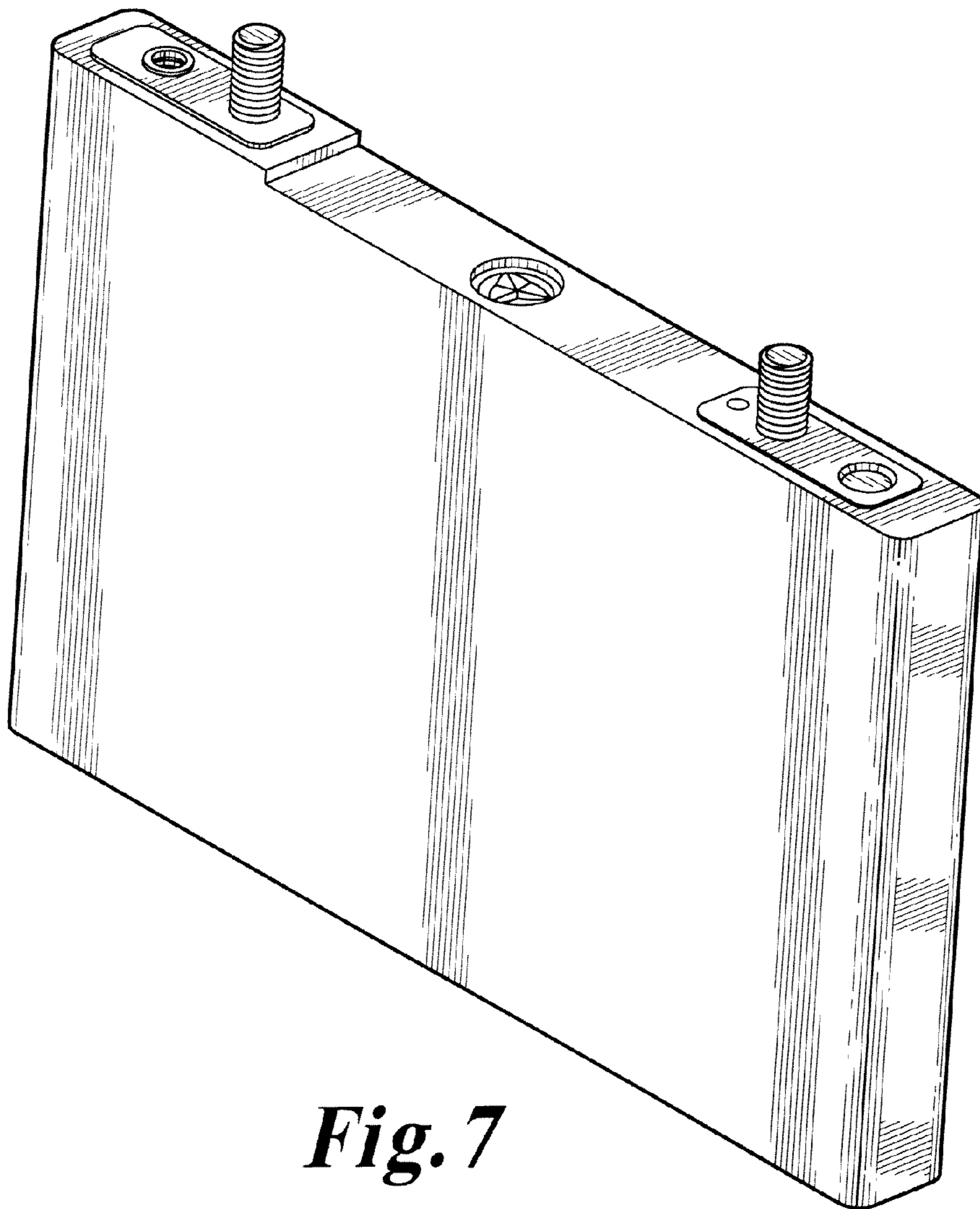


Fig. 7

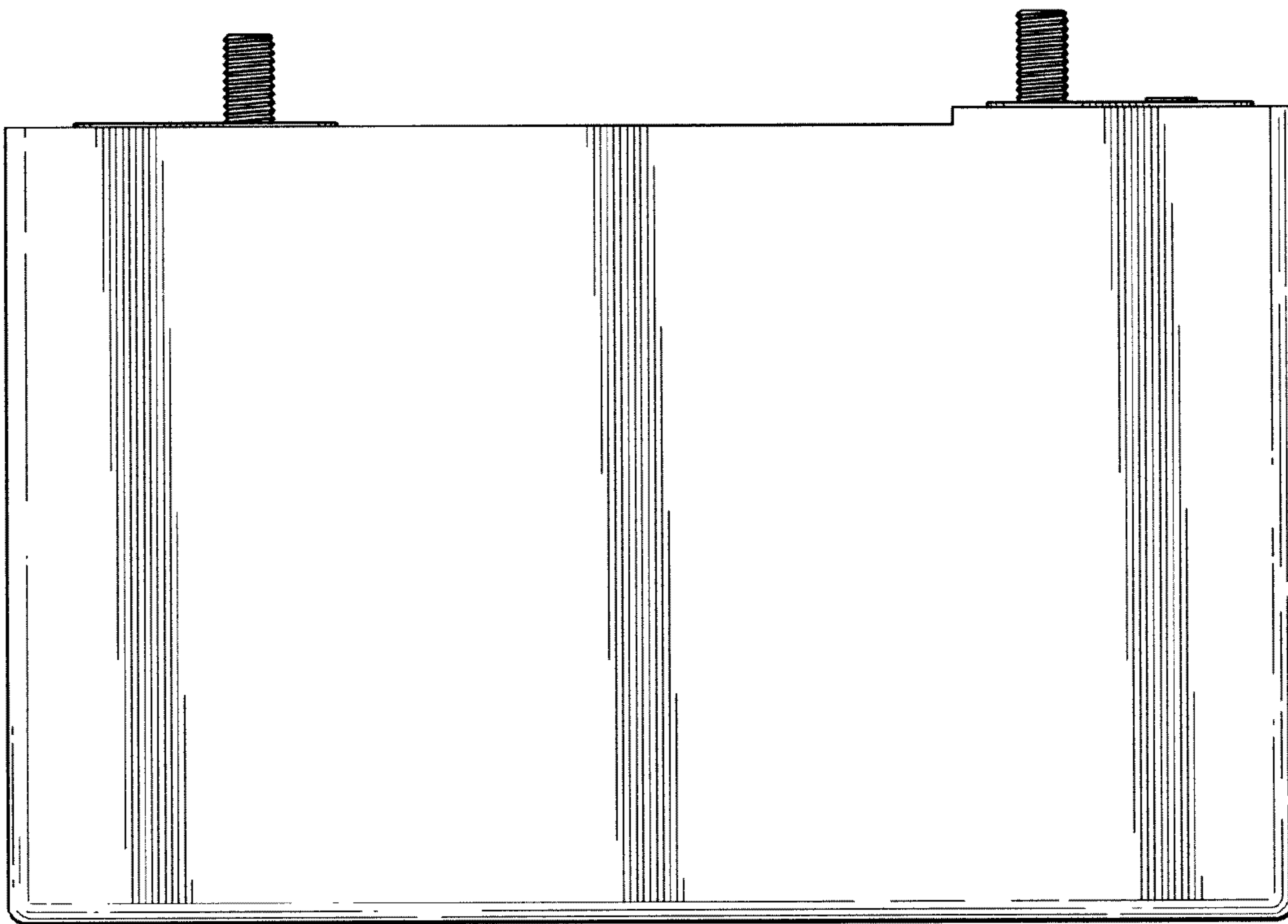


Fig. 8

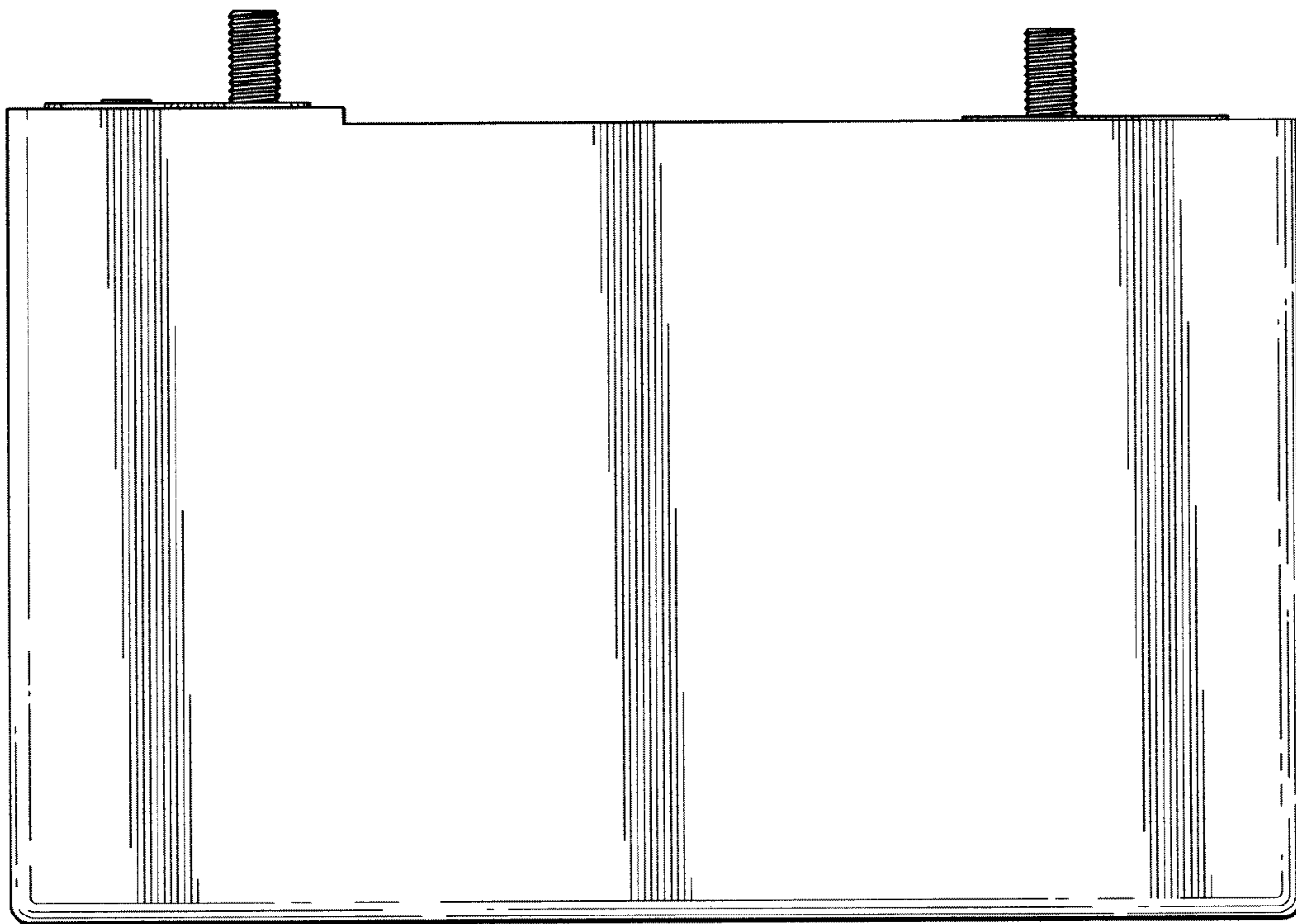


Fig. 9

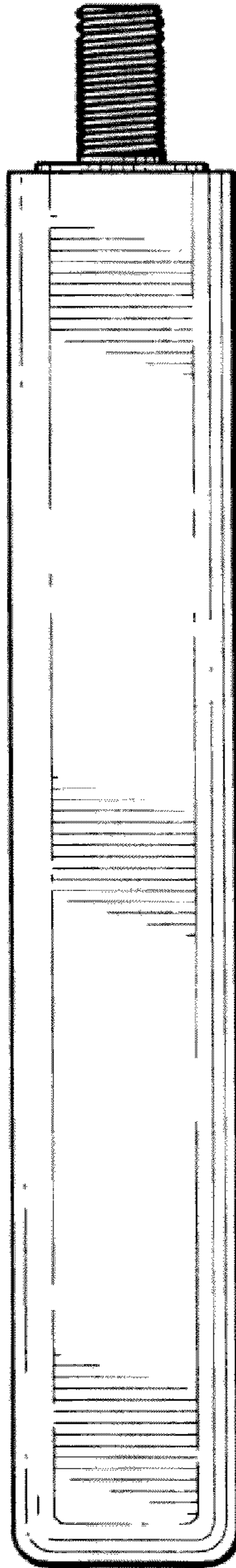


Fig. 10

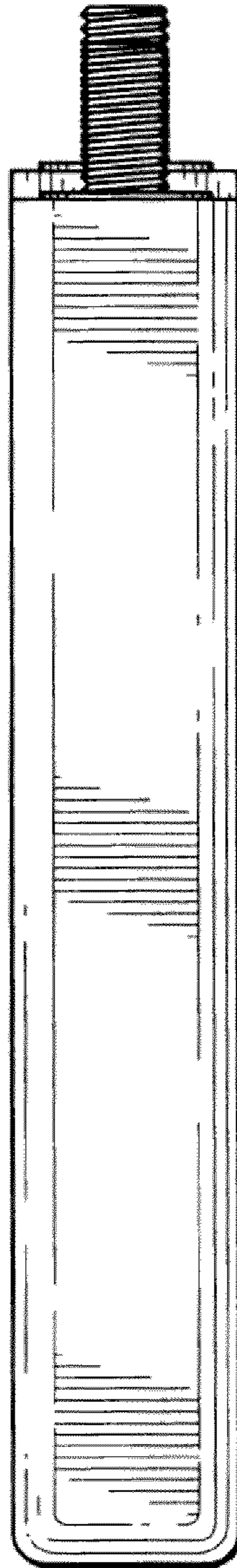


Fig. 11

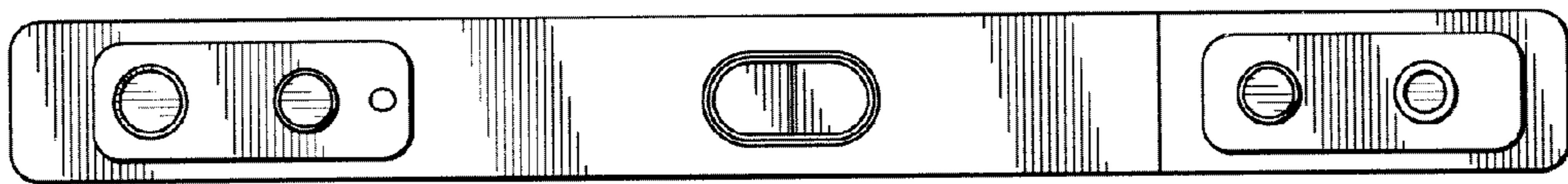


Fig. 12



Fig. 13

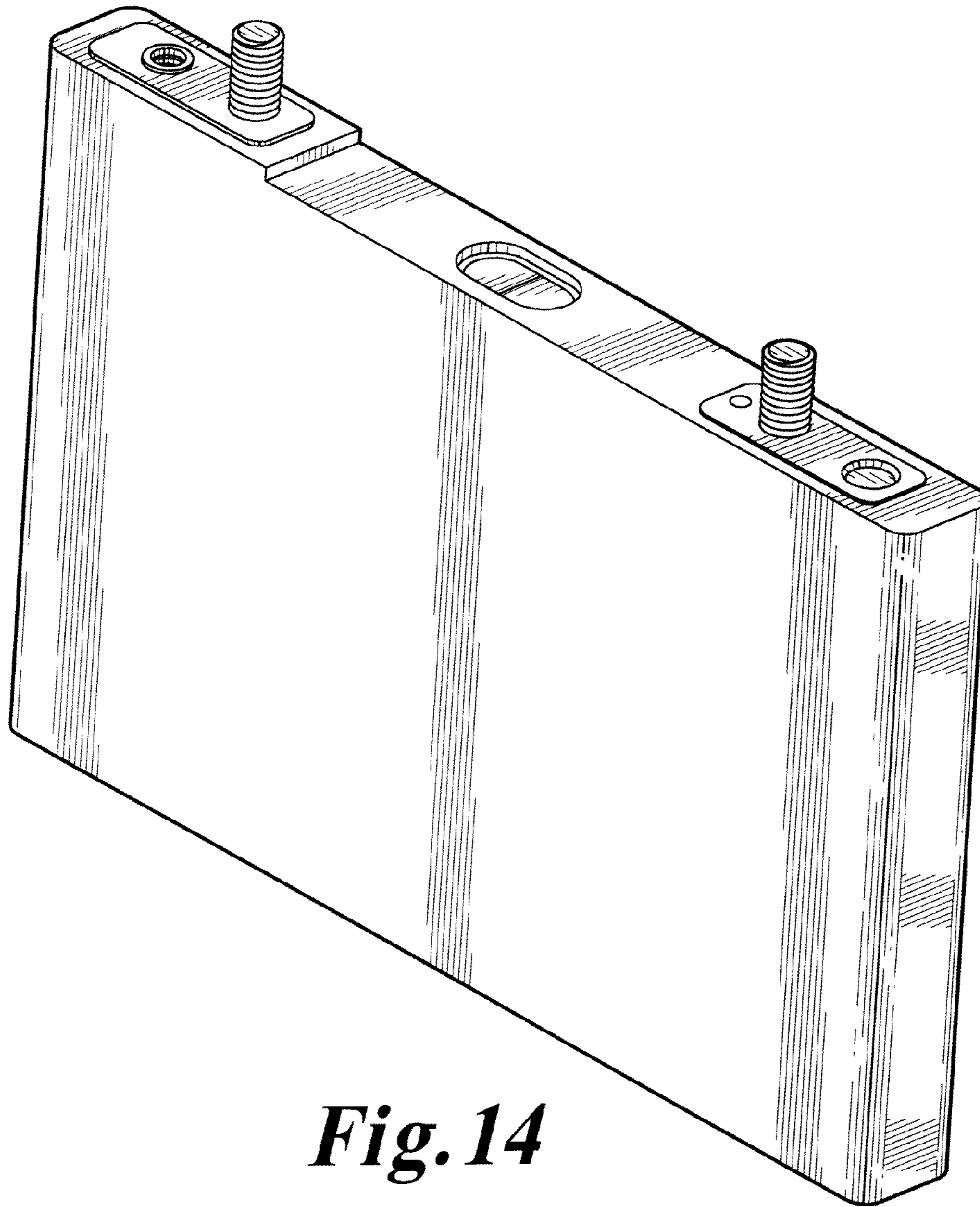


Fig. 14

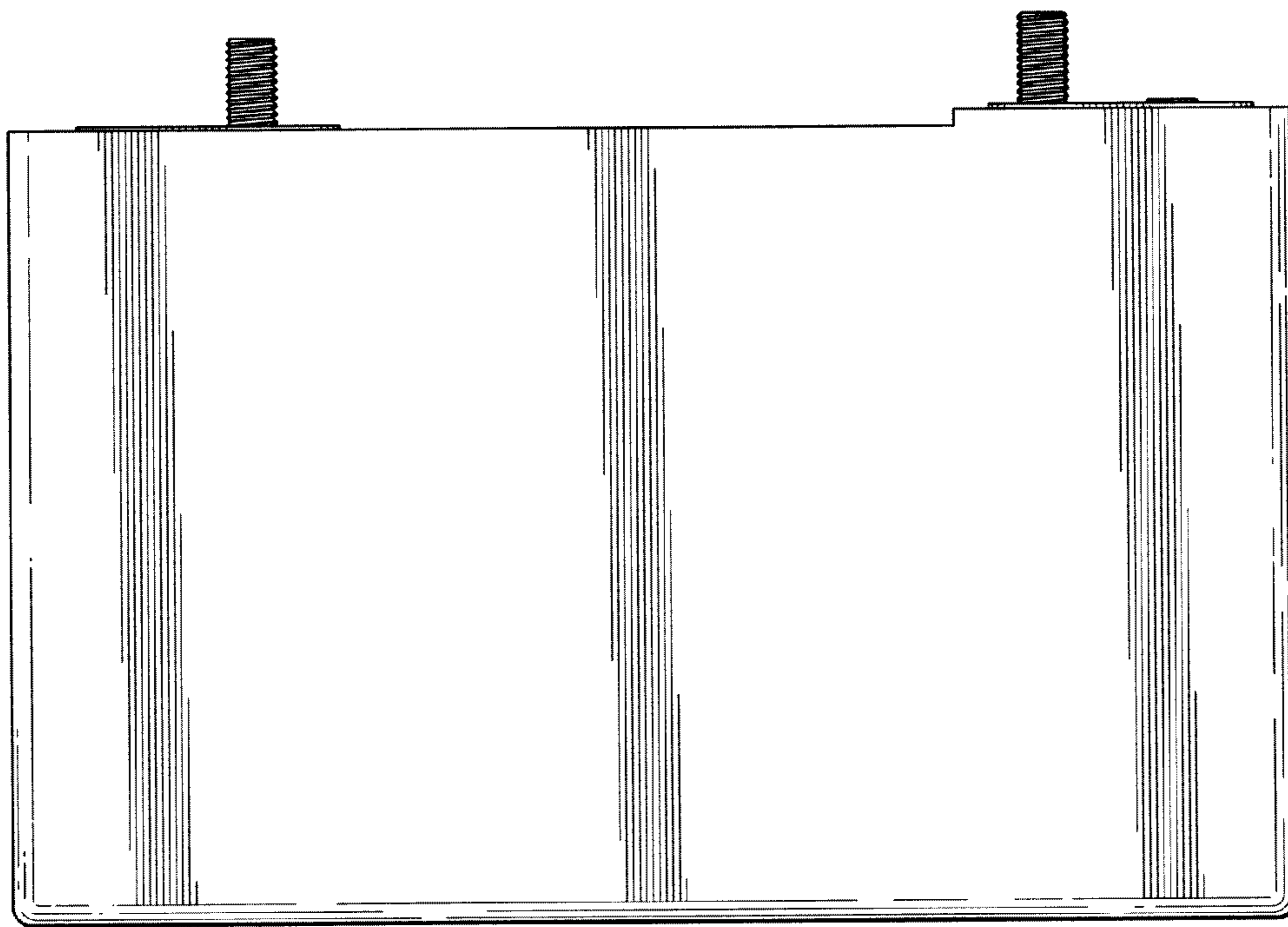


Fig. 15

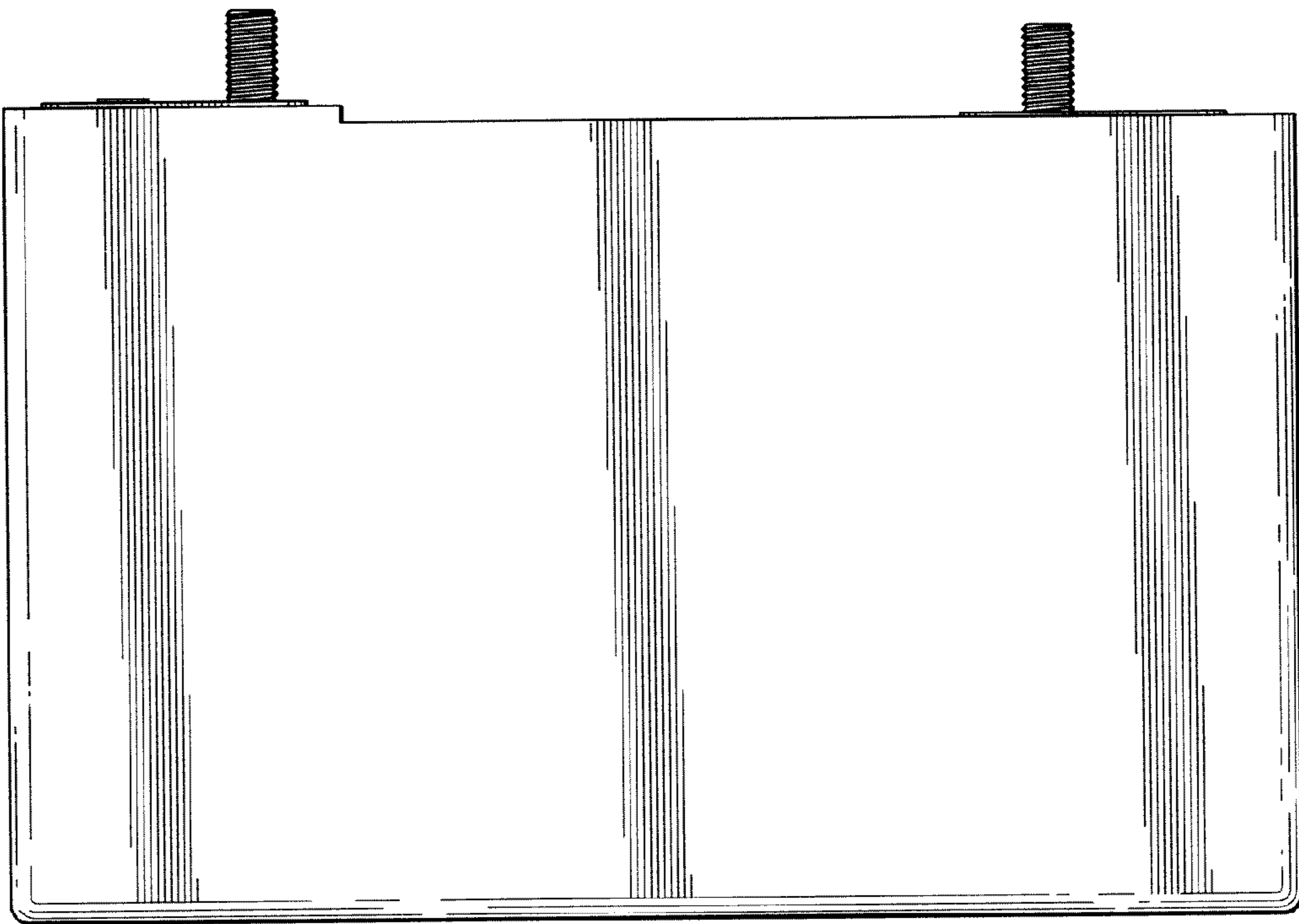


Fig. 16

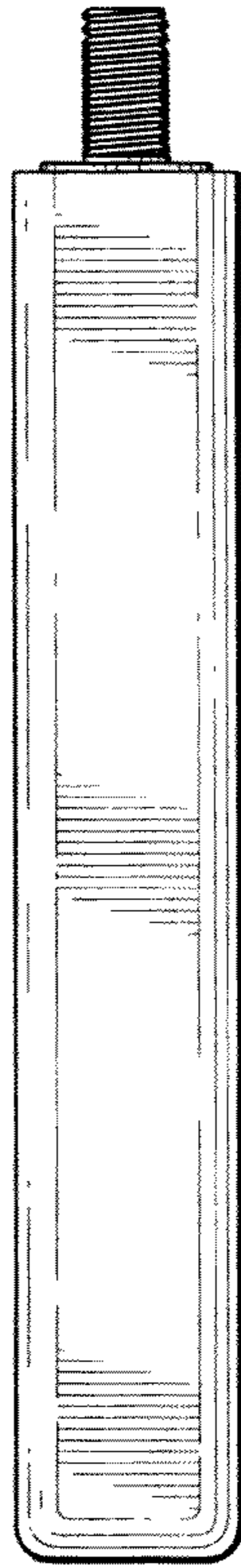


Fig. 17

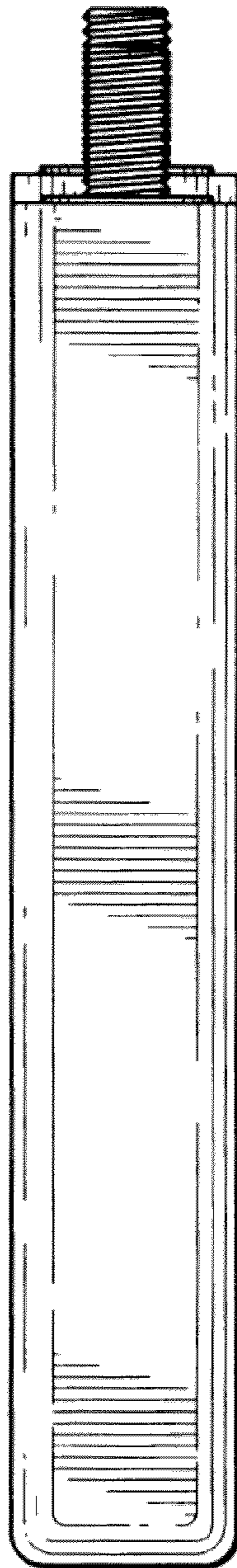


Fig. 18

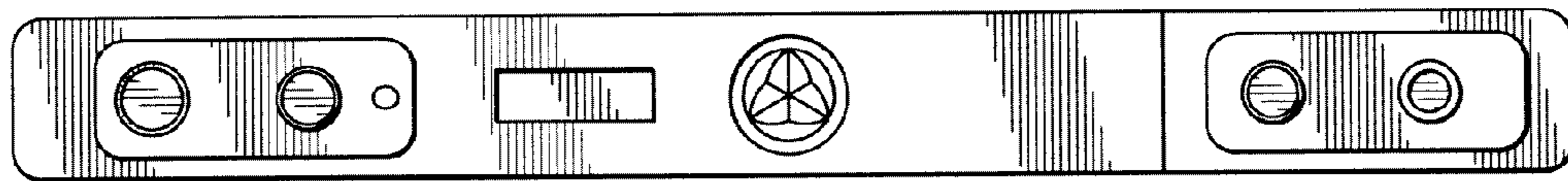


Fig. 19



Fig. 20

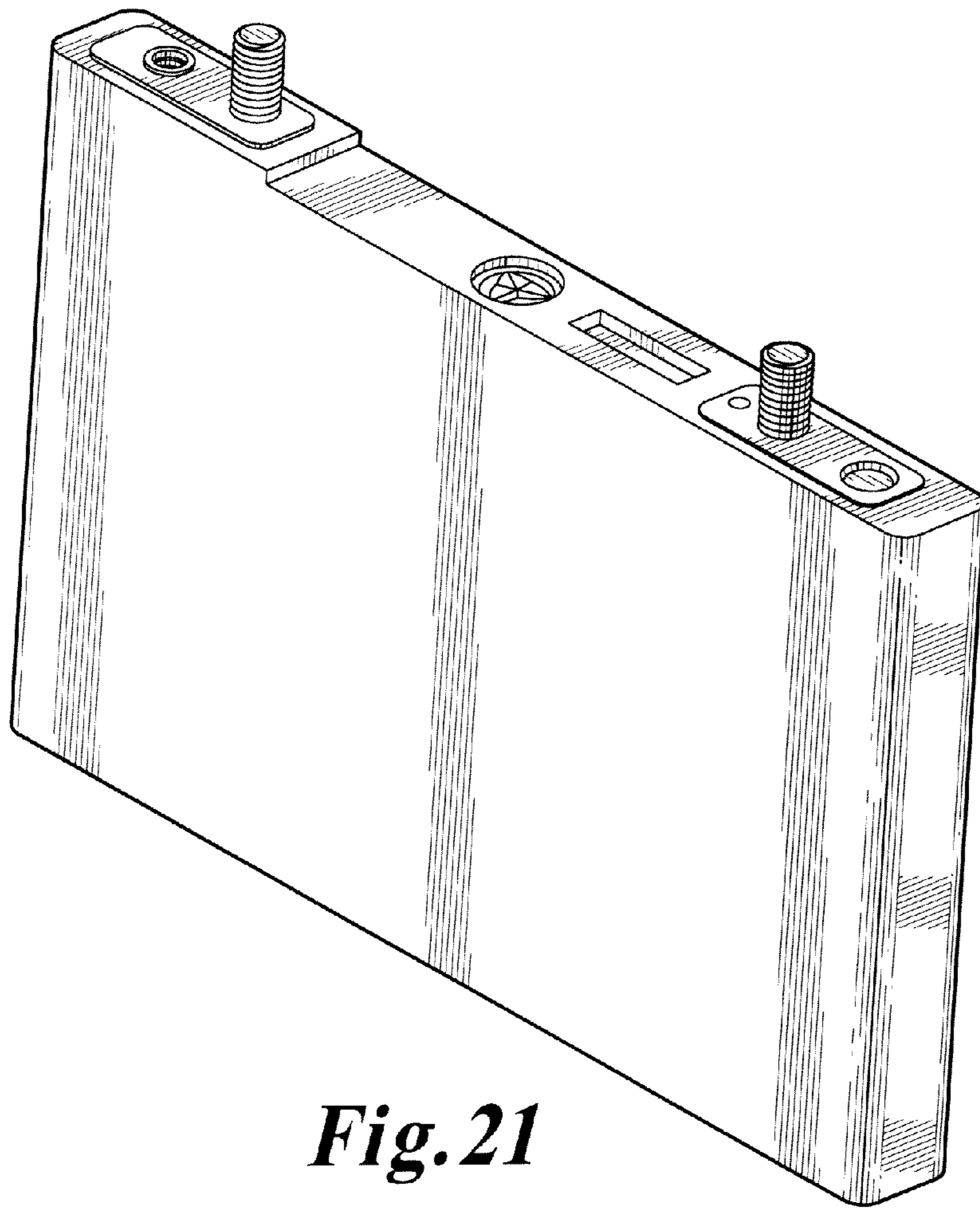


Fig. 21

UNITED STATES PATENT AND TRADEMARK OFFICE
CERTIFICATE OF CORRECTION

PATENT NO. : D664,917 S
APPLICATION NO. : 29/398113
DATED : August 7, 2012
INVENTOR(S) : Makoto Taguchi

Page 1 of 23

It is certified that error appears in the above-identified patent and that said Letters Patent is hereby corrected as shown below:

The Title Page, showing an illustrative Figure, should be deleted and substitute therefor the attached Title Page.

In the Drawings

Replace published drawings (Figs. 1-21) with the attached originally-filed drawings, (Figs. 1-21).

Signed and Sealed this
Sixth Day of May, 2014



Michelle K. Lee
Deputy Director of the United States Patent and Trademark Office

(12) **United States Design Patent**
Taguchi

(10) **Patent No.:** **US D664,917 S**
(45) **Date of Patent:** **** Aug. 7, 2012**

(54) **LITHIUM ION CAPACITOR**

(75) **Inventor:** **Makoto Taguchi, Kai (JP)**

(73) **Assignee:** **JM Energy Corporation, Hokuto-shi (JP)**

(**) **Term:** **14 Years**

(21) **Appl. No.:** **29/398,113**

(22) **Filed:** **Jul. 26, 2011**

(30) **Foreign Application Priority Data**

Feb. 21, 2011 (JP) 2011-3616
Jun. 20, 2011 (JP) 2011-13933
Jun. 20, 2011 (JP) 2011-13934

(51) **LOC (9) Cl. 13-02**

(52) **U.S. Cl. D13/103**

(58) **Field of Classification Search** D13/102-106,
D13/110, 118-119, 184; 429/96-100, 149,
429/163, 176, 187

See application file for complete search history.

(56) **References Cited**

U.S. PATENT DOCUMENTS

4,391,883 A * 7/1983 Williamson et al. 429/97
D587,646 S * 3/2009 Ushijima et al. D13/103
D591,230 S * 4/2009 Tasai D13/103
D592,129 S * 5/2009 Masuda et al. D13/103
D642,978 S * 8/2011 Sato et al. D13/103
D644,176 S * 8/2011 Sato et al. D13/119
D645,813 S * 9/2011 Yamauchi et al. D13/103
D652,382 S * 1/2012 Yamauchi et al. D13/119
2004/0247994 A1 * 12/2004 Masuda et al. 429/66

* cited by examiner

Primary Examiner — Rosemary K. Tarcza

(74) *Attorney, Agent, or Firm* — Oblon, Spivak, McClelland, Maier & Neustadt, L.L.P.

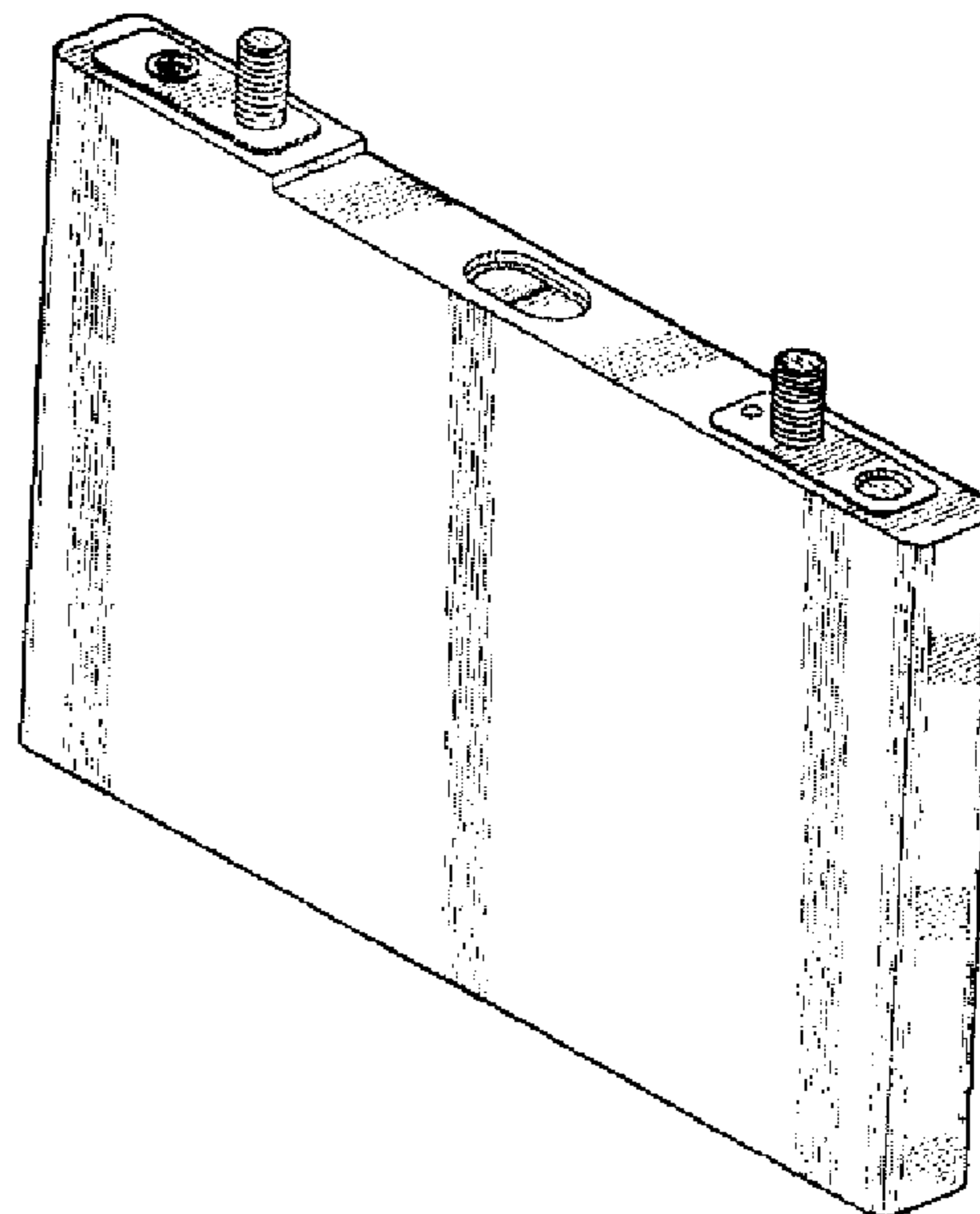
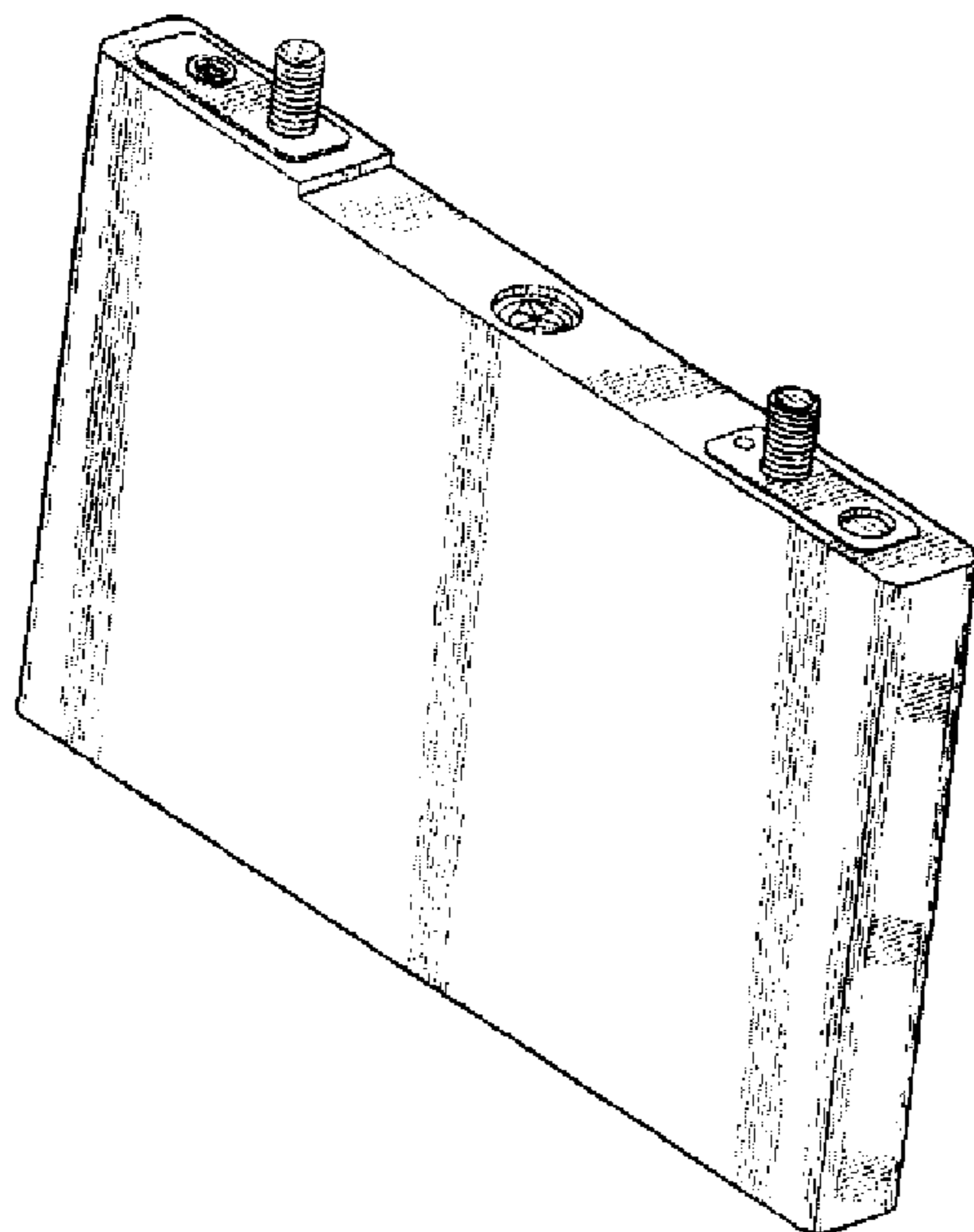
(57) **CLAIM**

The ornamental design for a lithium ion capacitor, as shown and described.

DESCRIPTION

FIG. 1 is a front elevational view of a first embodiment of a lithium ion capacitor;
FIG. 2 is a rear elevational view thereof;
FIG. 3 is a right side elevational view thereof;
FIG. 4 is a left side elevational view thereof;
FIG. 5 is a top plan view thereof;
FIG. 6 is a bottom plan view thereof;
FIG. 7 is a rear, top, and left side perspective view thereof;
FIG. 8 is a front elevational view of a second embodiment of a lithium ion capacitor;
FIG. 9 is a rear elevational view thereof;
FIG. 10 is a right side elevational view thereof;
FIG. 11 is a left side elevational view thereof;
FIG. 12 is a top plan view thereof;
FIG. 13 is a bottom plan view thereof;
FIG. 14 is a rear, top, and left side perspective view thereof;
FIG. 15 is a front elevational view of a third embodiment of a lithium ion capacitor;
FIG. 16 is a rear elevational view thereof;
FIG. 17 is a right side elevational view thereof;
FIG. 18 is a left side elevational view thereof;
FIG. 19 is a top plan view thereof;
FIG. 20 is a bottom plan view thereof; and,
FIG. 21 is a rear, top, and left side perspective view thereof.

1 Claim, 21 Drawing Sheets



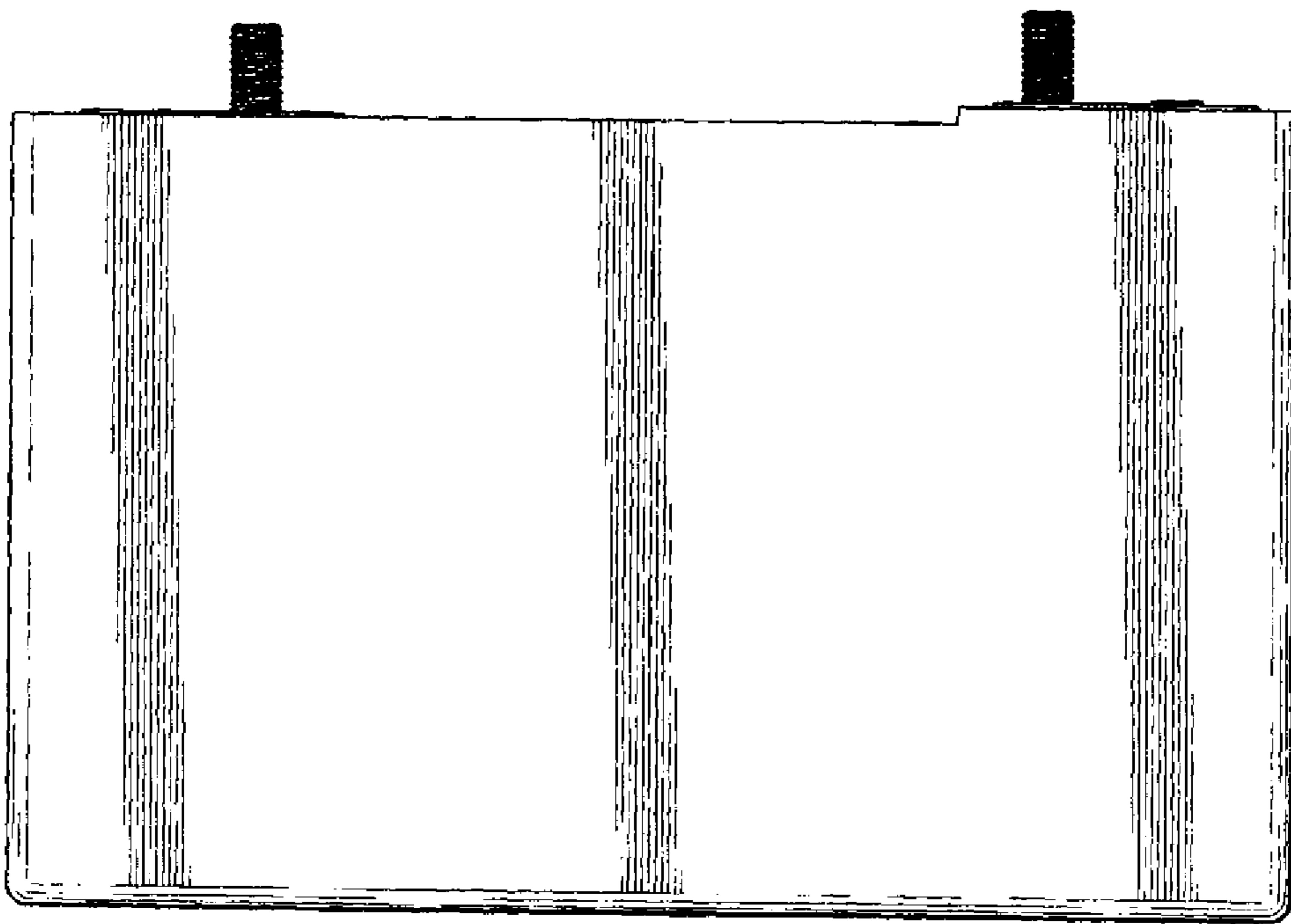


Fig. 1

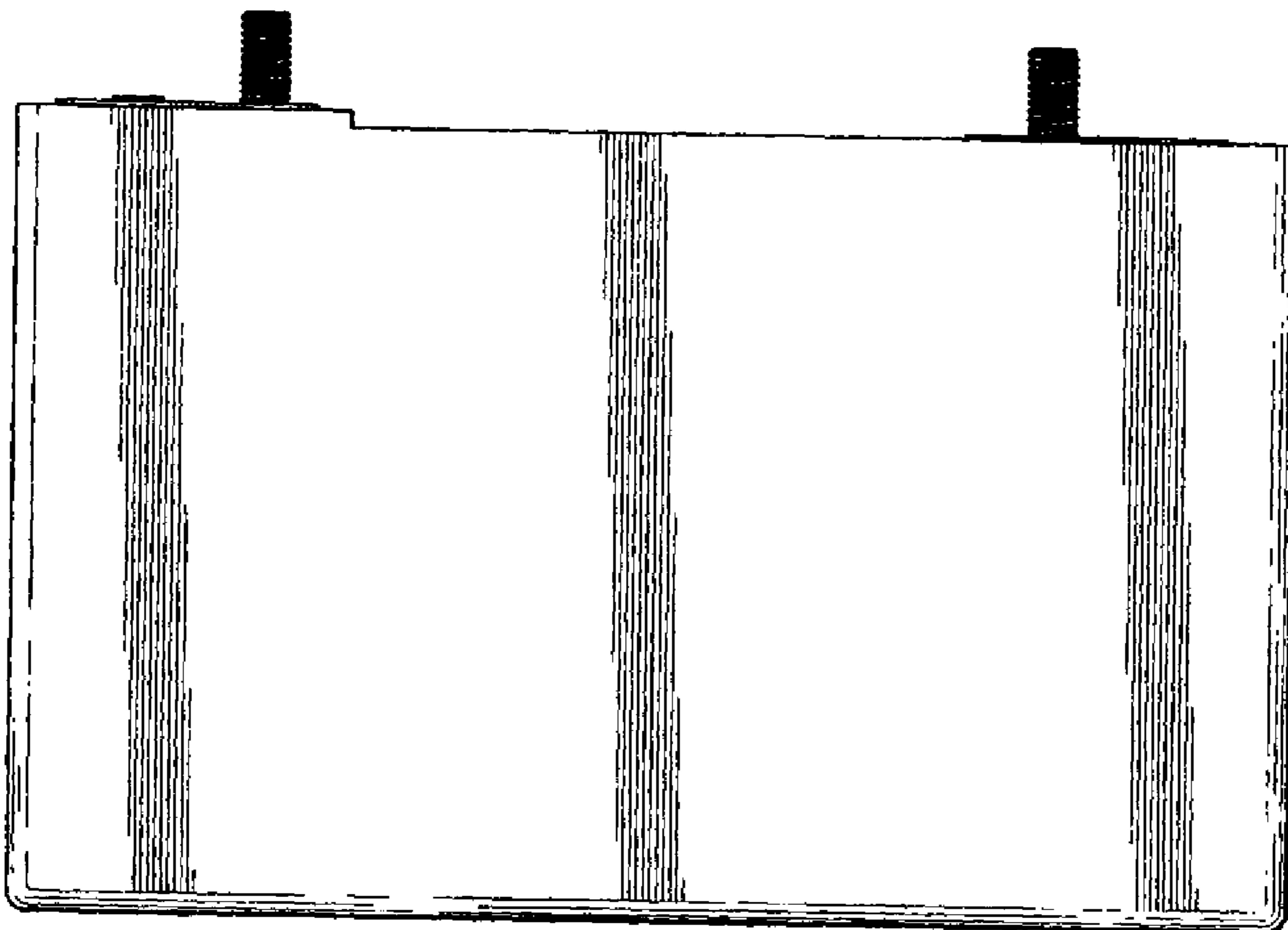


Fig. 2

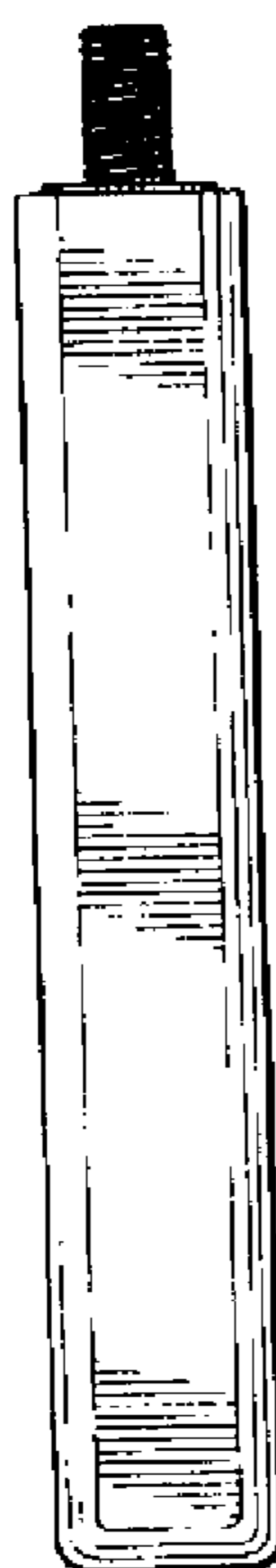


Fig. 3

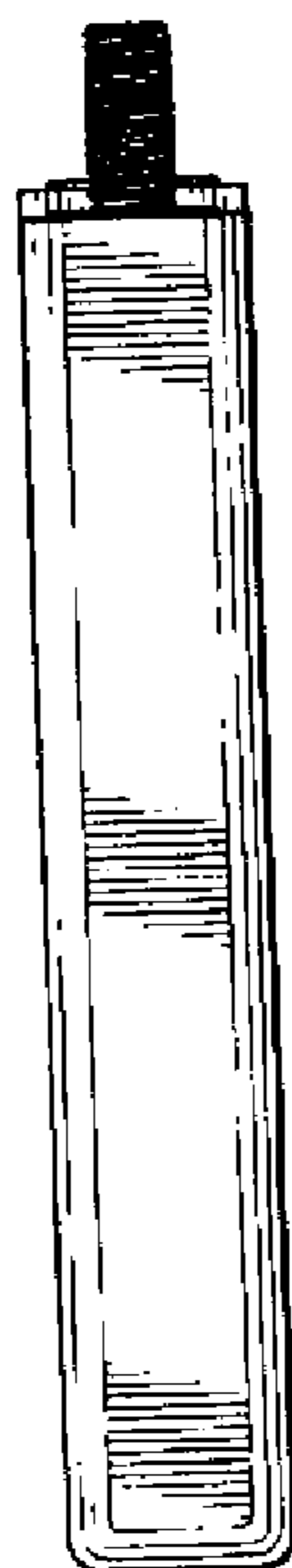


Fig. 4

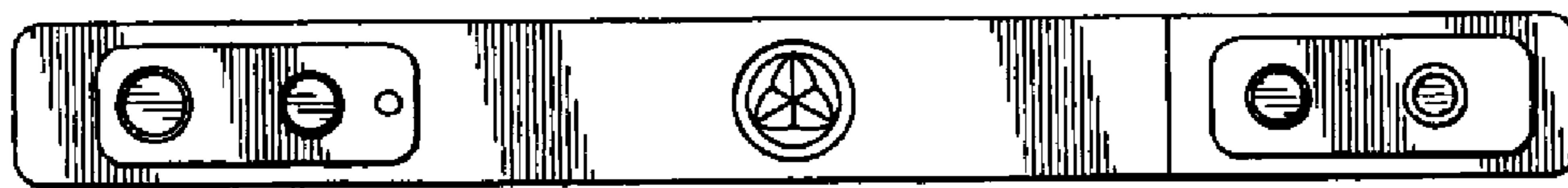


Fig. 5

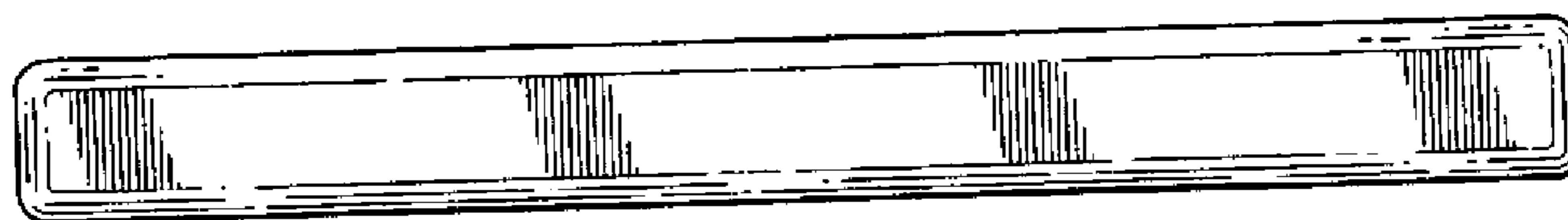


Fig. 6

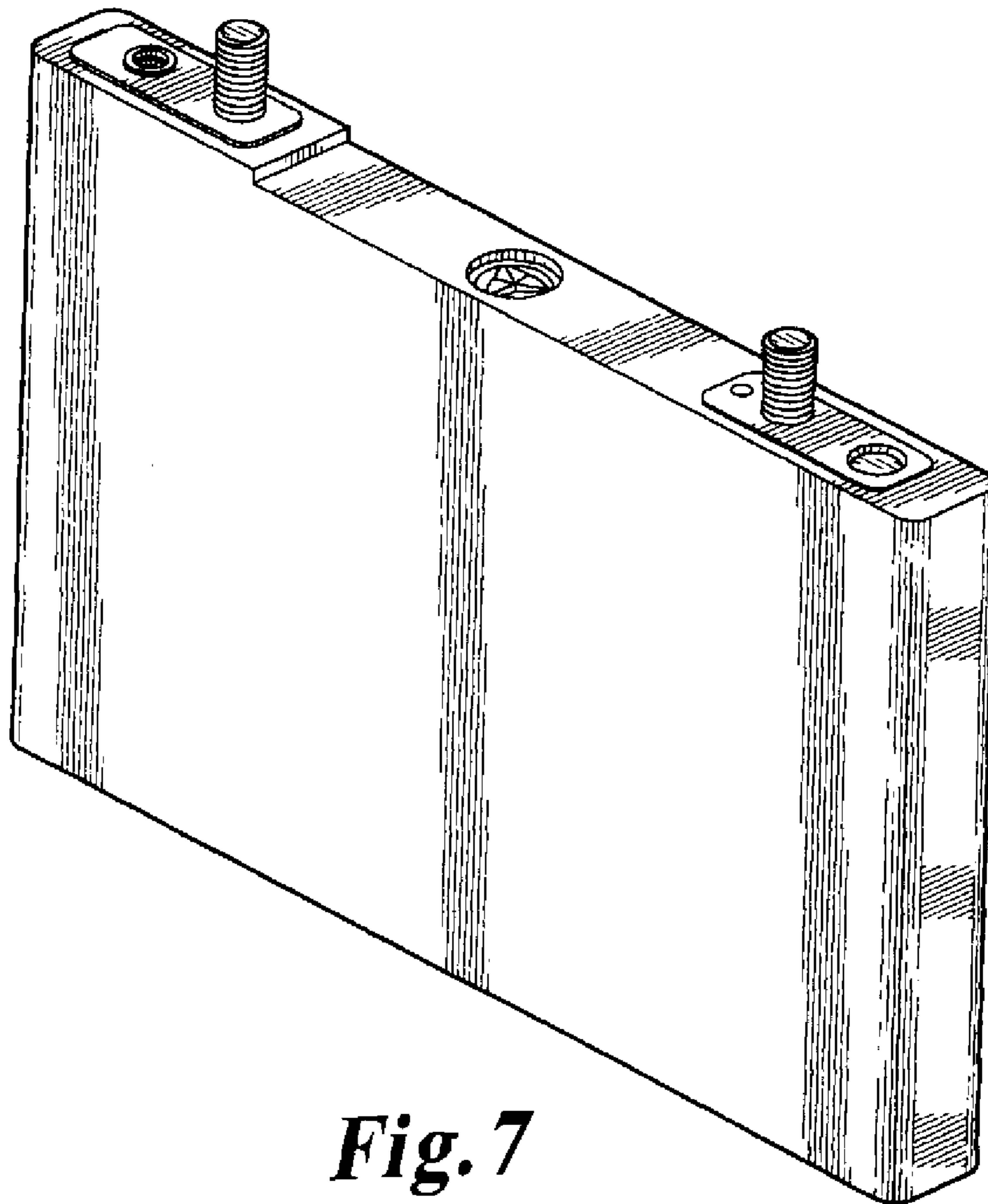


Fig. 7

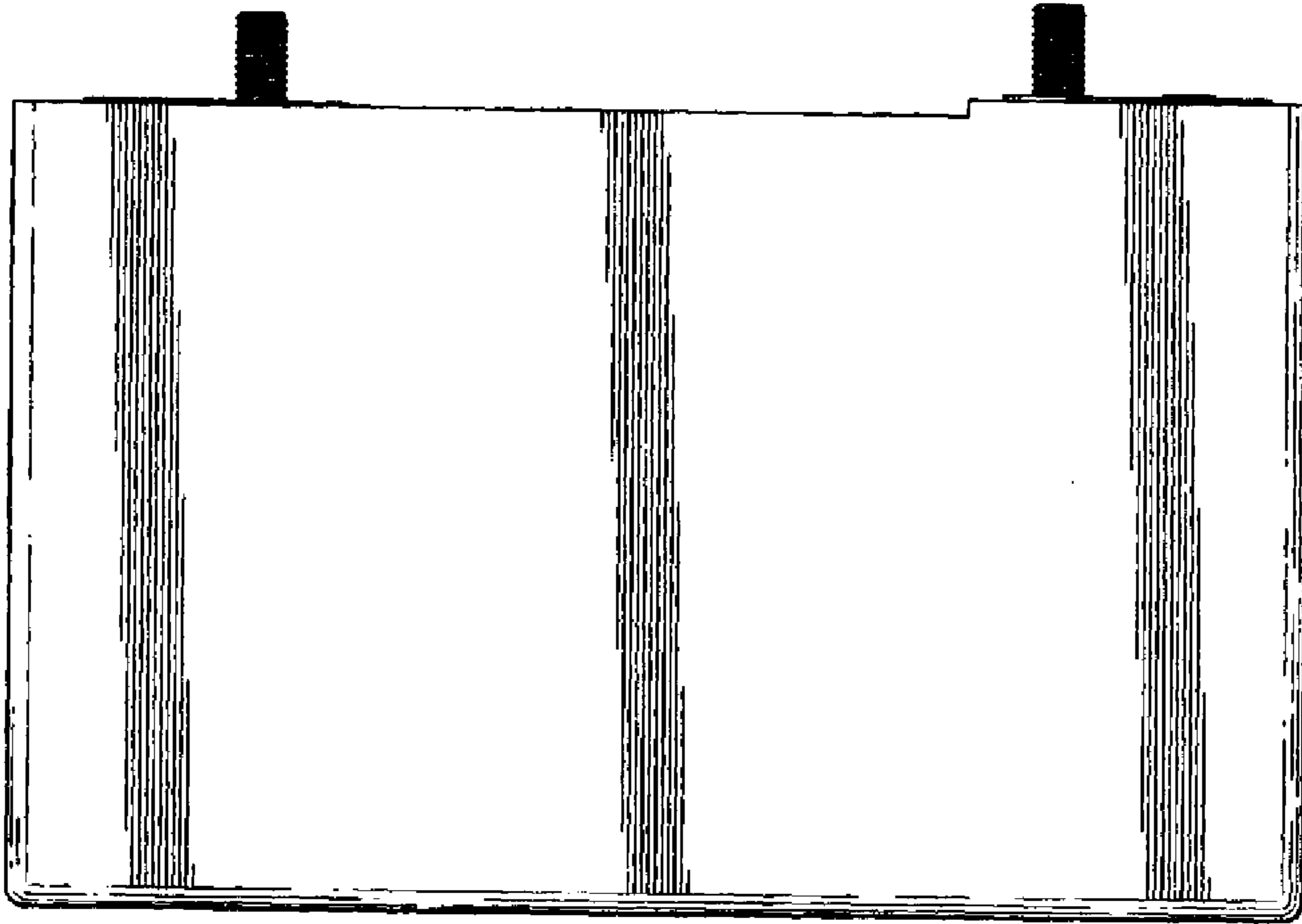


Fig. 8

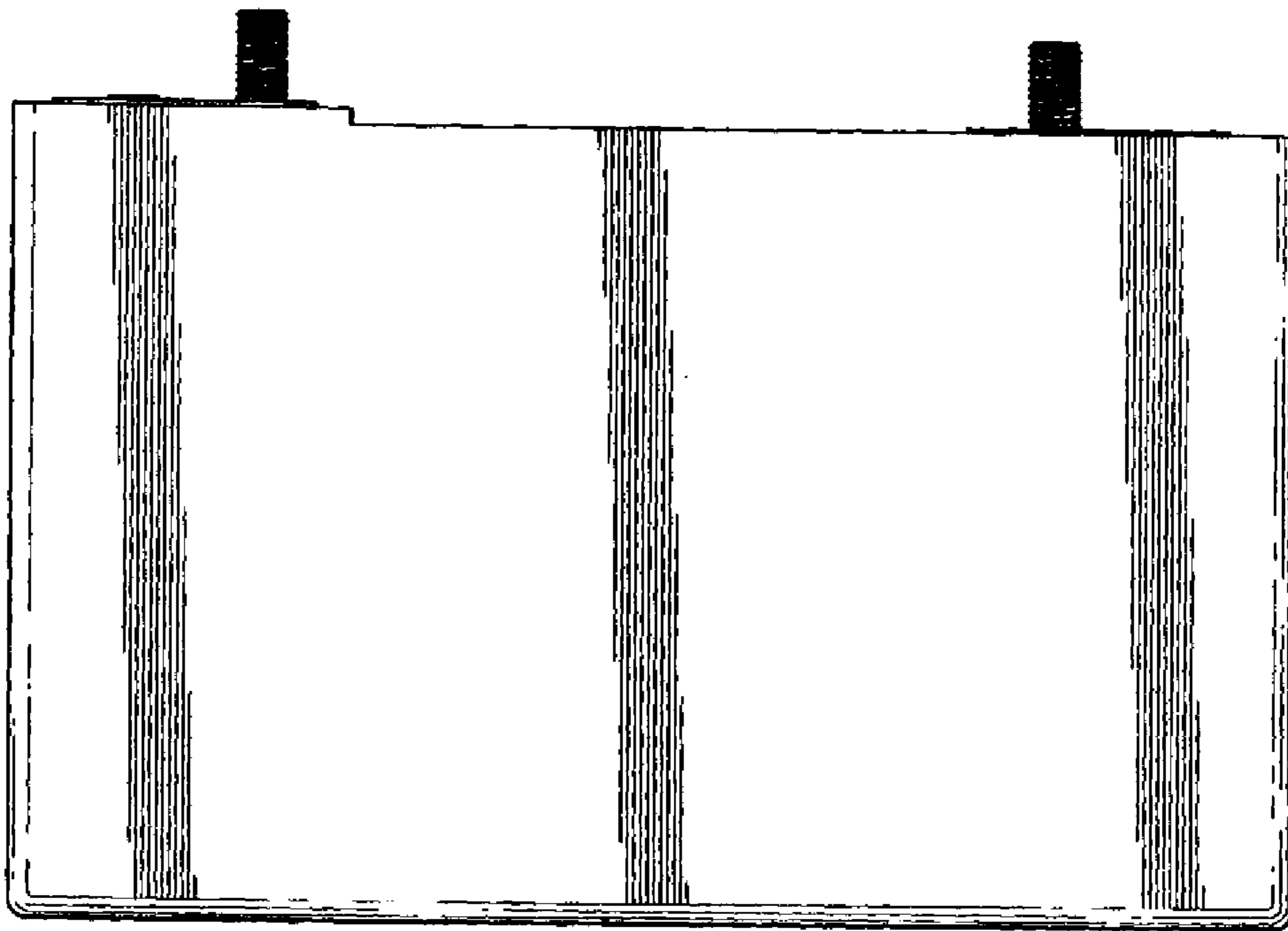


Fig. 9

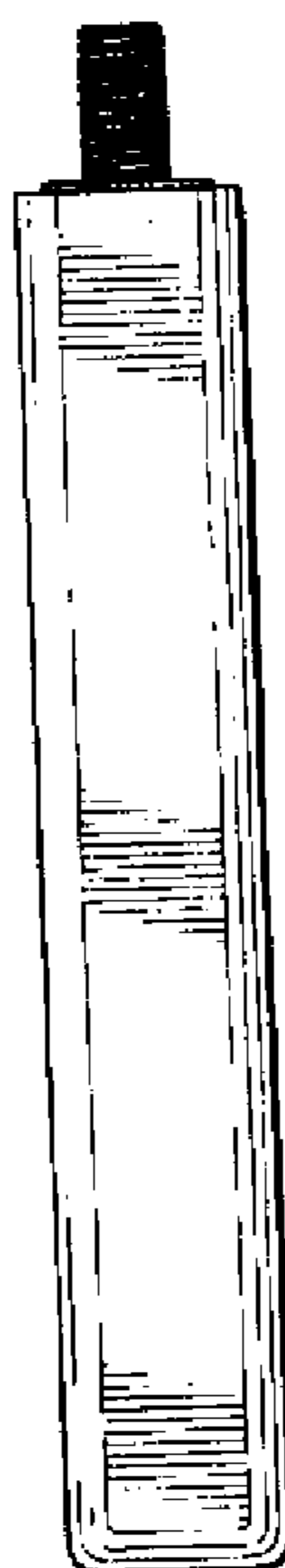


Fig. 10

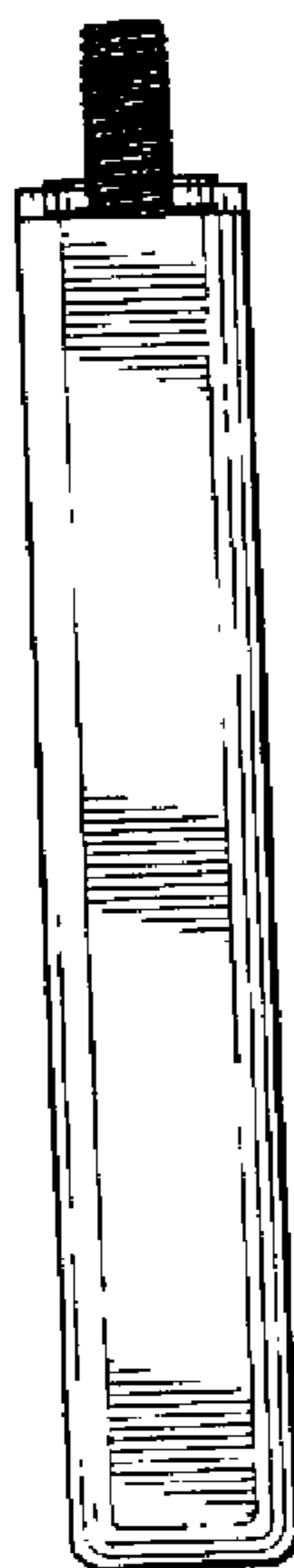


Fig. 11

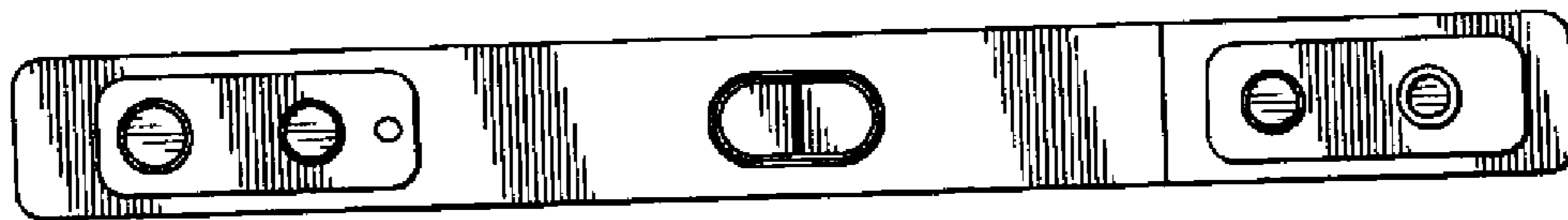


Fig. 12

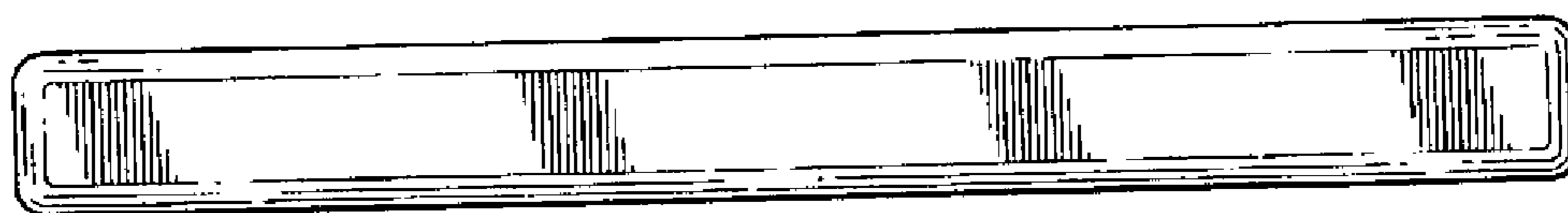


Fig. 13

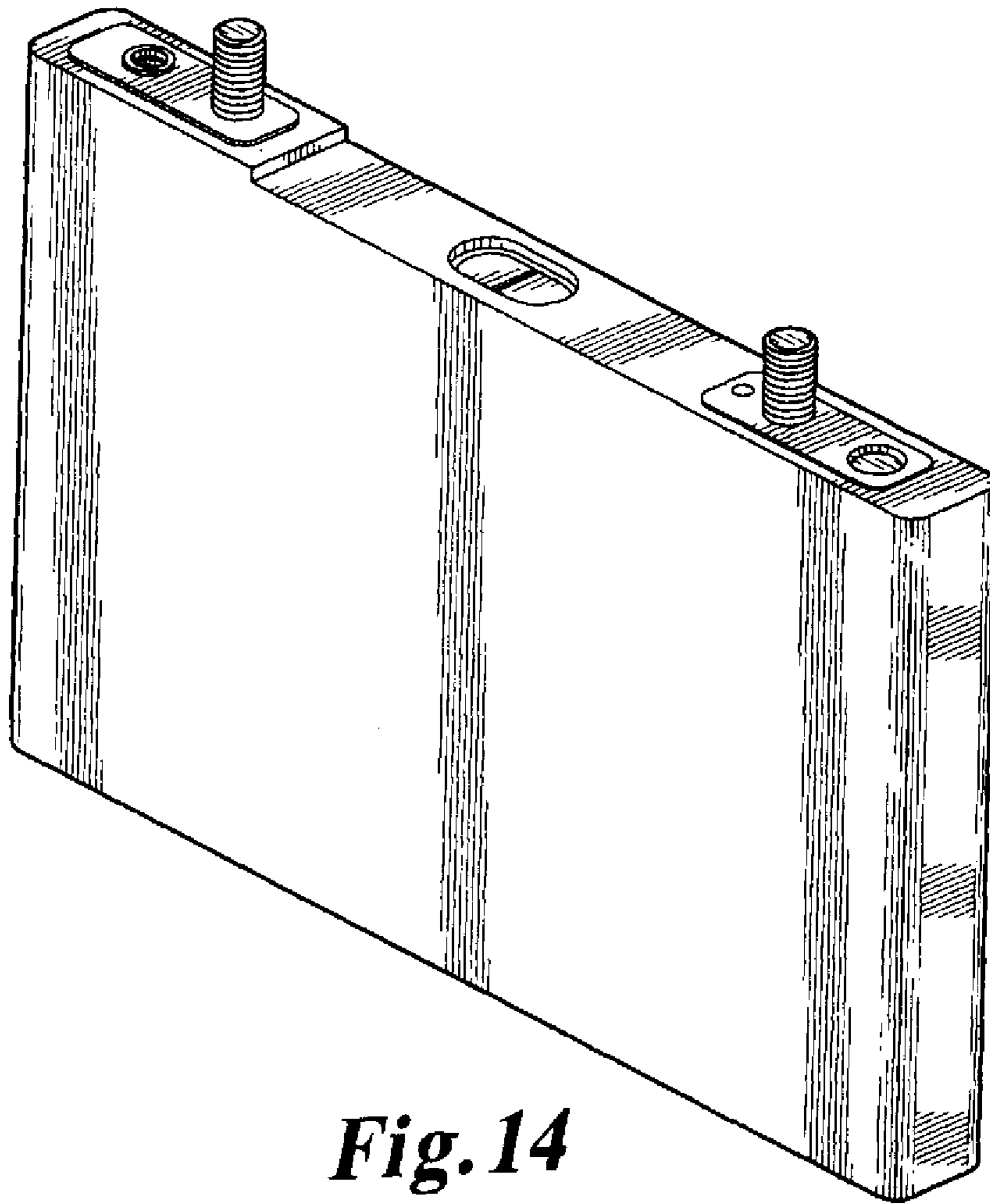


Fig. 14

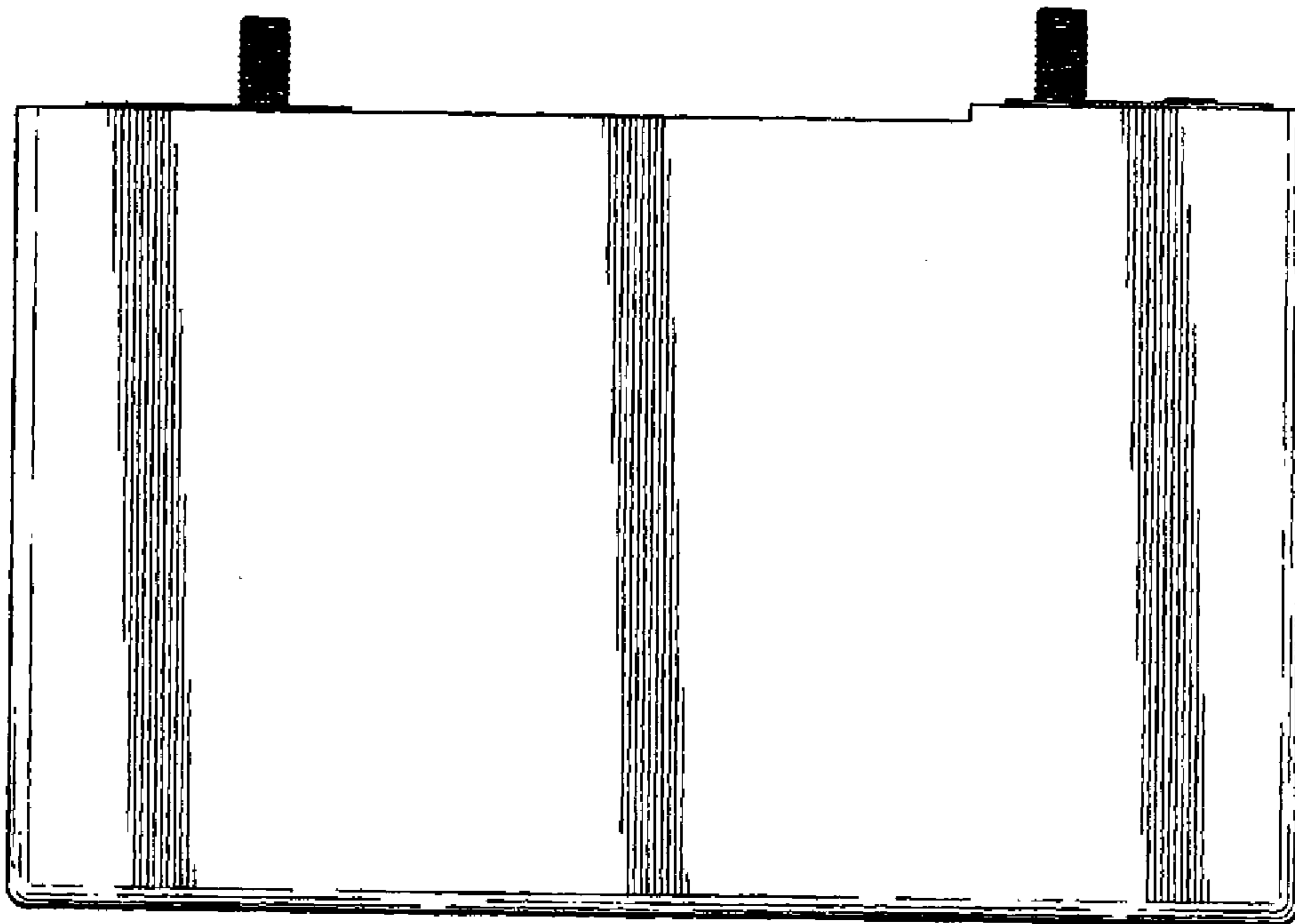


Fig. 15

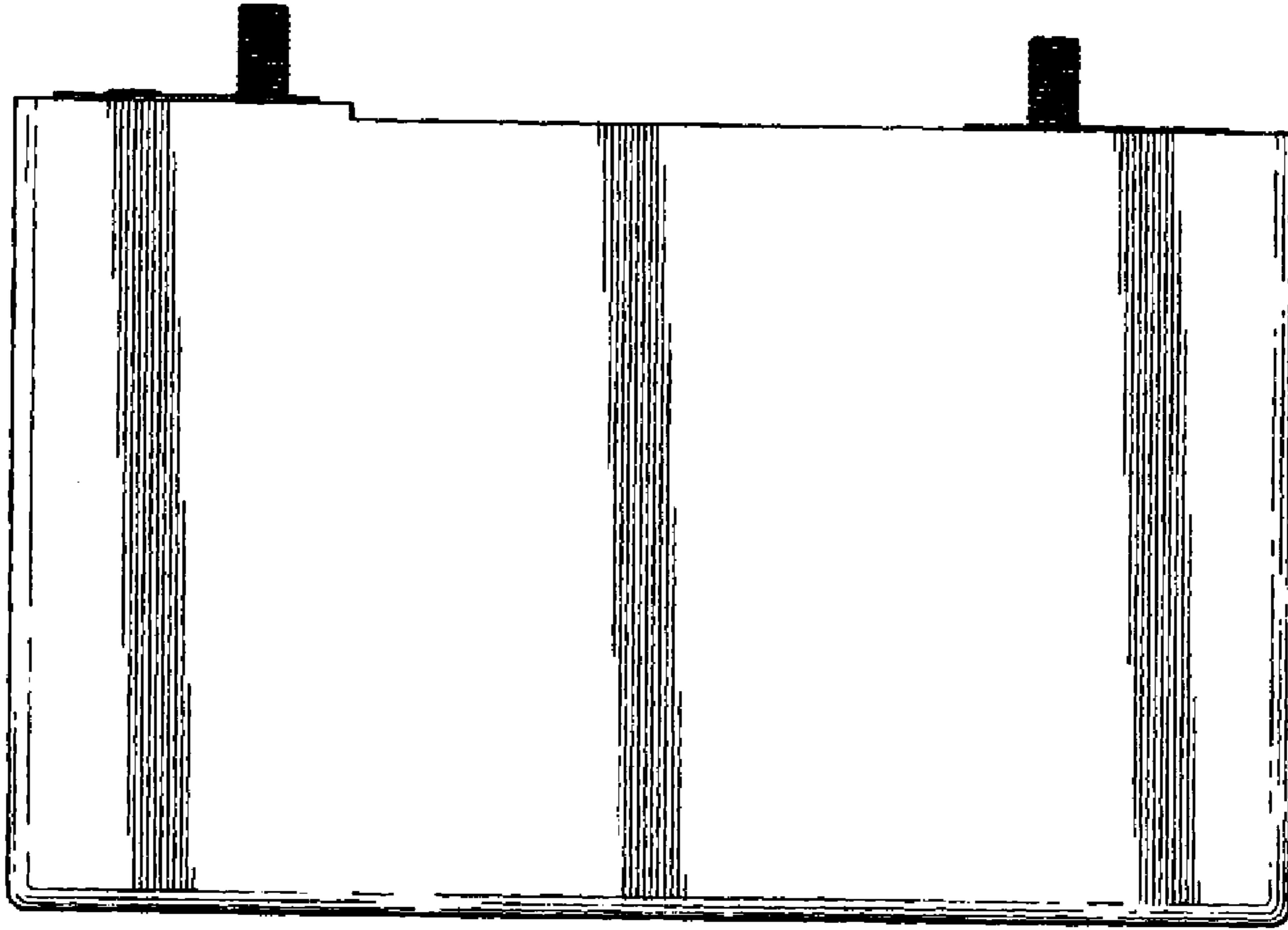


Fig. 16

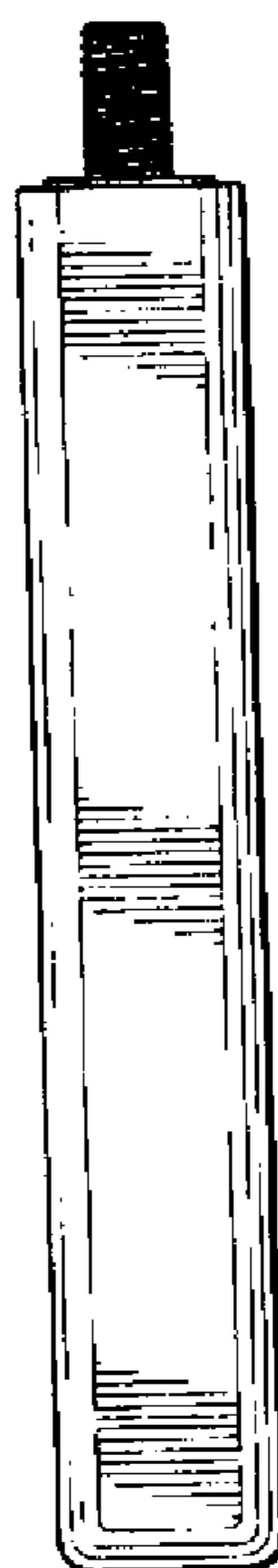


Fig. 17

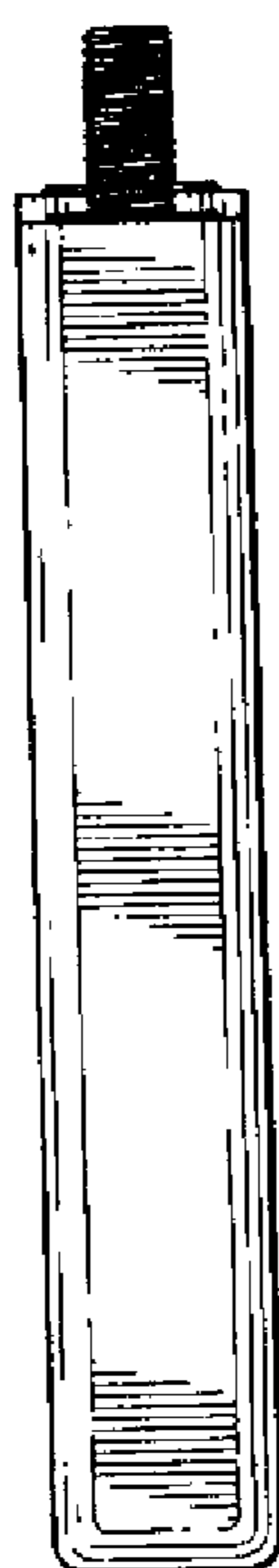


Fig. 18



Fig. 19

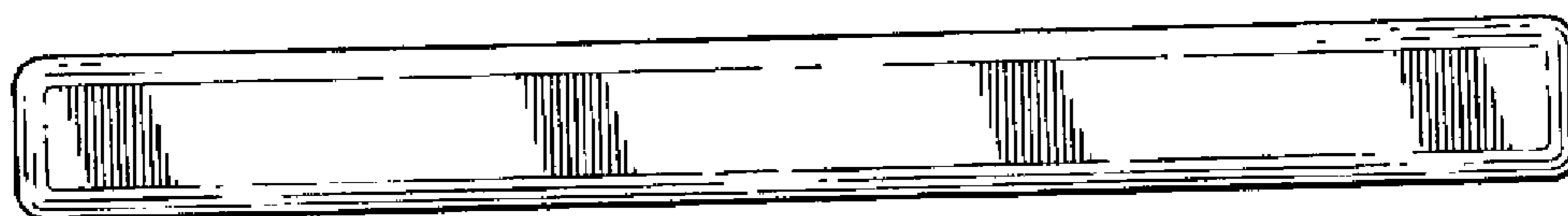


Fig. 20

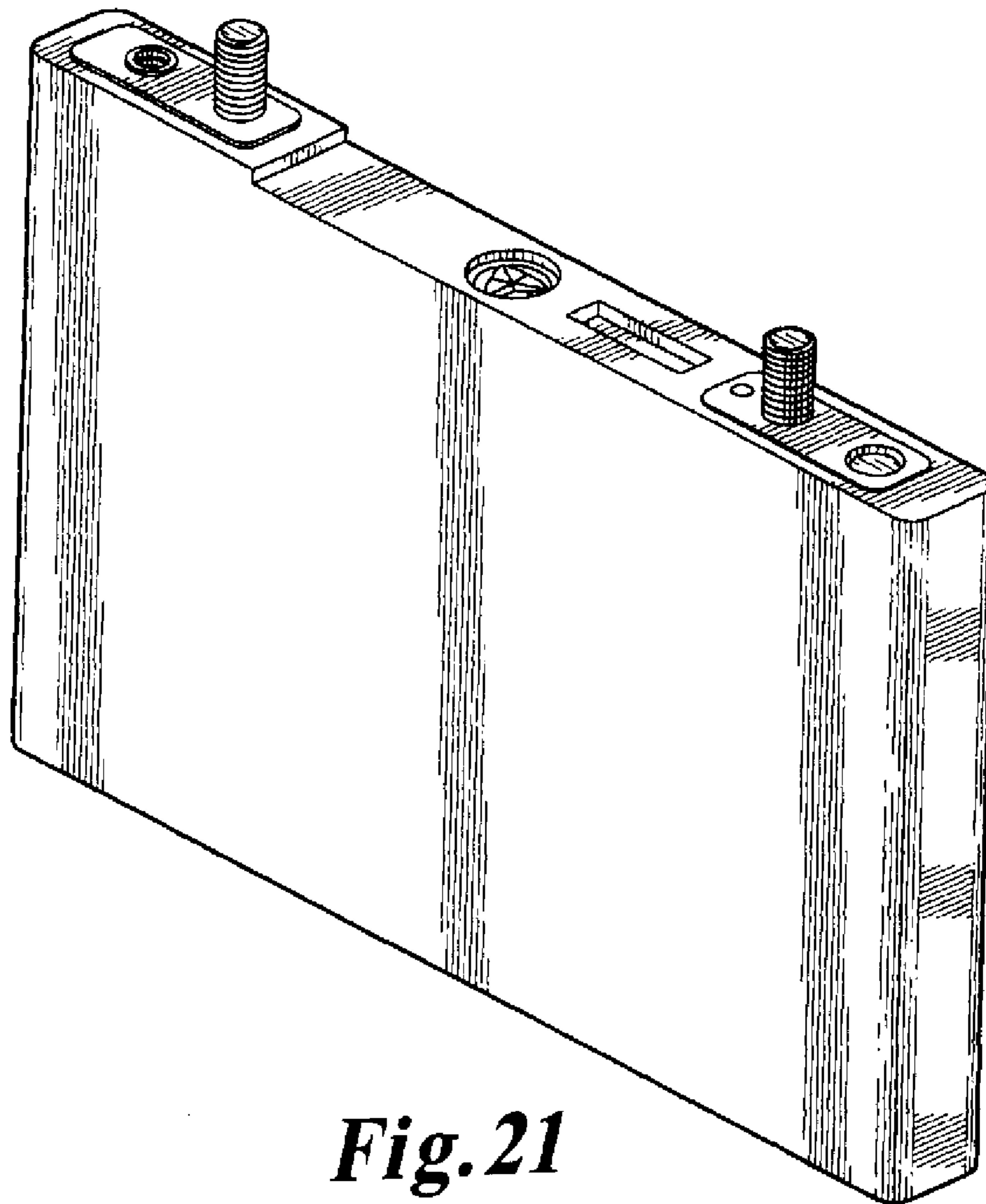


Fig. 21