



US00D664914S

(12) **United States Design Patent**
Dixon et al.

(10) **Patent No.:** **US D664,914 S**
(45) **Date of Patent:** **** Aug. 7, 2012**

(54) **TIRE**

(75) Inventors: **Max Harold Dixon**, Kent, OH (US);
Jeremy Edward Whisner, Akron, OH (US)

(73) Assignee: **The Goodyear Tire & Rubber Company**, Akron, OH (US)

(**) Term: **14 Years**

(21) Appl. No.: **29/417,026**

(22) Filed: **Mar. 29, 2012**

(51) **LOC (9) Cl.** **12-15**

(52) **U.S. Cl.** **D12/579**

(58) **Field of Classification Search** D12/568–603,
D12/536, 542–544, 900–901; 152/209.1–209.9,
152/209.11–209.19, 209.21–209.28, 455
See application file for complete search history.

(56) **References Cited**

U.S. PATENT DOCUMENTS

D169,668 S	*	5/1953	Hardeman	D12/544
D219,799 S	*	1/1971	Sons	D12/544
D303,779 S		10/1989	Bonko	D12/151
D304,320 S		10/1989	Bonko	D12/151
D309,125 S		7/1990	Bonko et al.	D12/151
D312,064 S	*	11/1990	Duncan	D12/579
D360,862 S	*	8/1995	Bonko et al.	D12/544
D363,907 S		11/1995	Bonko	D12/151
D367,448 S	*	2/1996	Baus et al.	D12/579
D377,923 S		2/1997	Bonko	D12/147
D385,239 S		10/1997	Bonko	D12/146
D388,032 S		12/1997	Bonko	D12/146
D388,844 S		1/1998	Bonko	D12/146
D400,479 S		11/1998	Baus	D12/147
D405,404 S		2/1999	Bonko	D12/147
D410,873 S		6/1999	Bonko	D12/151
D413,557 S	*	9/1999	Bonko	D12/579
D415,722 S		10/1999	Weed et al.	D12/147
D425,832 S		5/2000	Umstot et al.	D12/151

D444,110 S		6/2001	Umstot et al.	D12/151
D446,479 S		8/2001	Bonko	D12/147
D450,020 S	*	11/2001	Takagi	D12/579
D505,108 S		5/2005	Bonko et al.	D12/506
D571,713 S		6/2008	Rodicq et al.	D12/579
D586,731 S		2/2009	Neubauer et al.	D12/579
D613,677 S		4/2010	Neubauer et al.	D12/579
D614,118 S		4/2010	Wells et al.	D12/579
D633,859 S	*	3/2011	Shan et al.	D12/579

* cited by examiner

Primary Examiner — Stacia Cadmus

(74) *Attorney, Agent, or Firm* — Richard B. O’Planick

(57) **CLAIM**

The ornamental design for a tire, as shown and described.

DESCRIPTION

FIG. 1 is a perspective view of a tire showing our new design, it being understood that the pattern repeats uniformly throughout the circumference of the tread;

FIG. 2 is a front elevational view thereof;

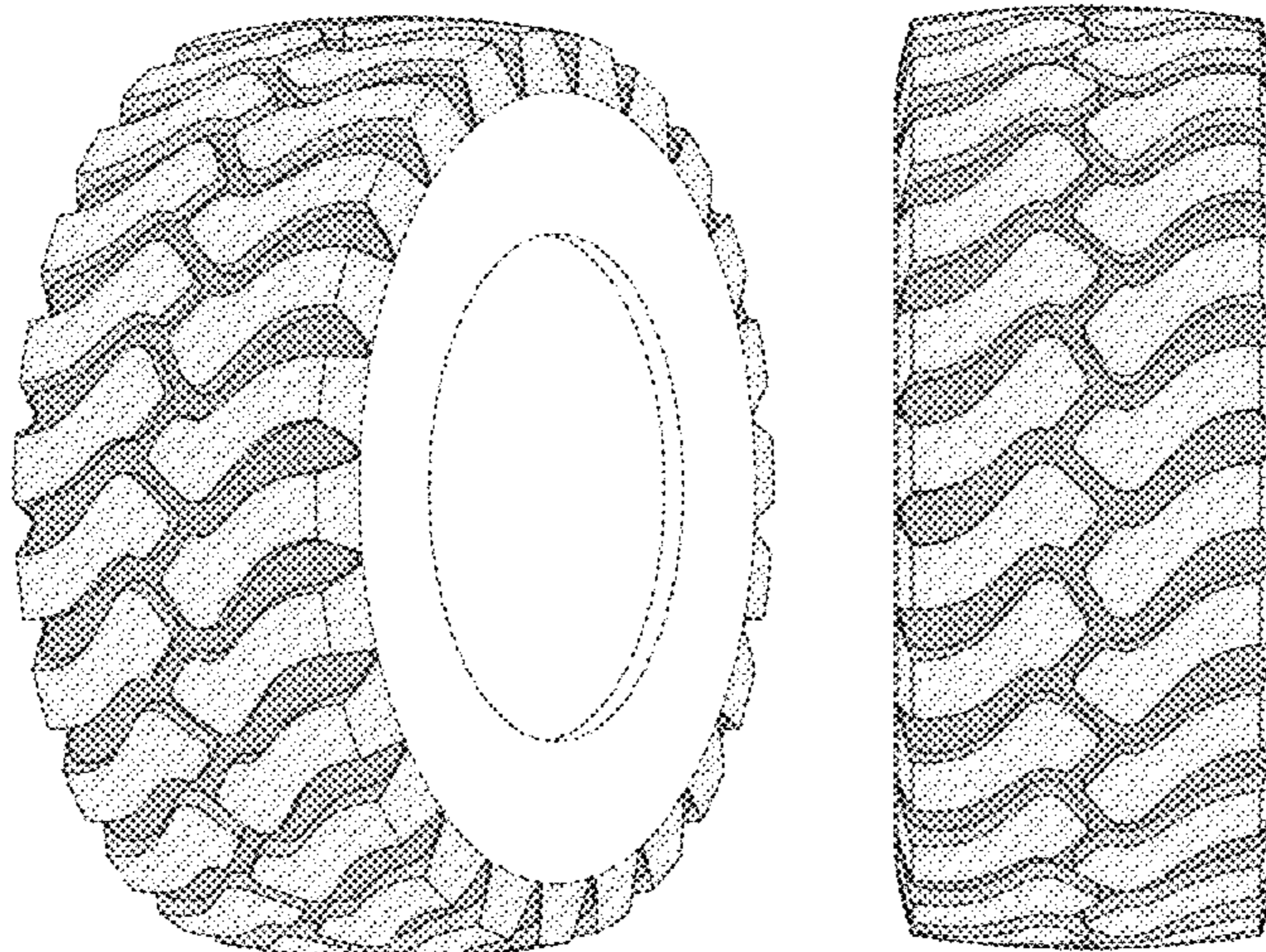
FIG. 3 is a right side elevational view thereof; the opposite side elevational view being identical thereto;

FIG. 4 is an enlarged fragmentary front elevational view thereof;

FIG. 5 is a perspective view of a second embodiment of a tire showing our new design, it being understood that the pattern repeats uniformly throughout the circumference of the tread and that the opposite side view is a mirror image thereof; and, FIG. 6 is a front elevational view of a second embodiment, it being understood that an enlarged fragmentary view thereof would be substantially identical to that shown in FIG. 4, with the exception of the inclusion of the sidewall in solid lines.

In the drawings, the broken lines showing of the sidewall, inner bead and the peripheral boundary between the tire tread and the sidewall in FIGS. 1 through 4 depict environmental subject matter and form no part of the claimed design.

1 Claim, 6 Drawing Sheets



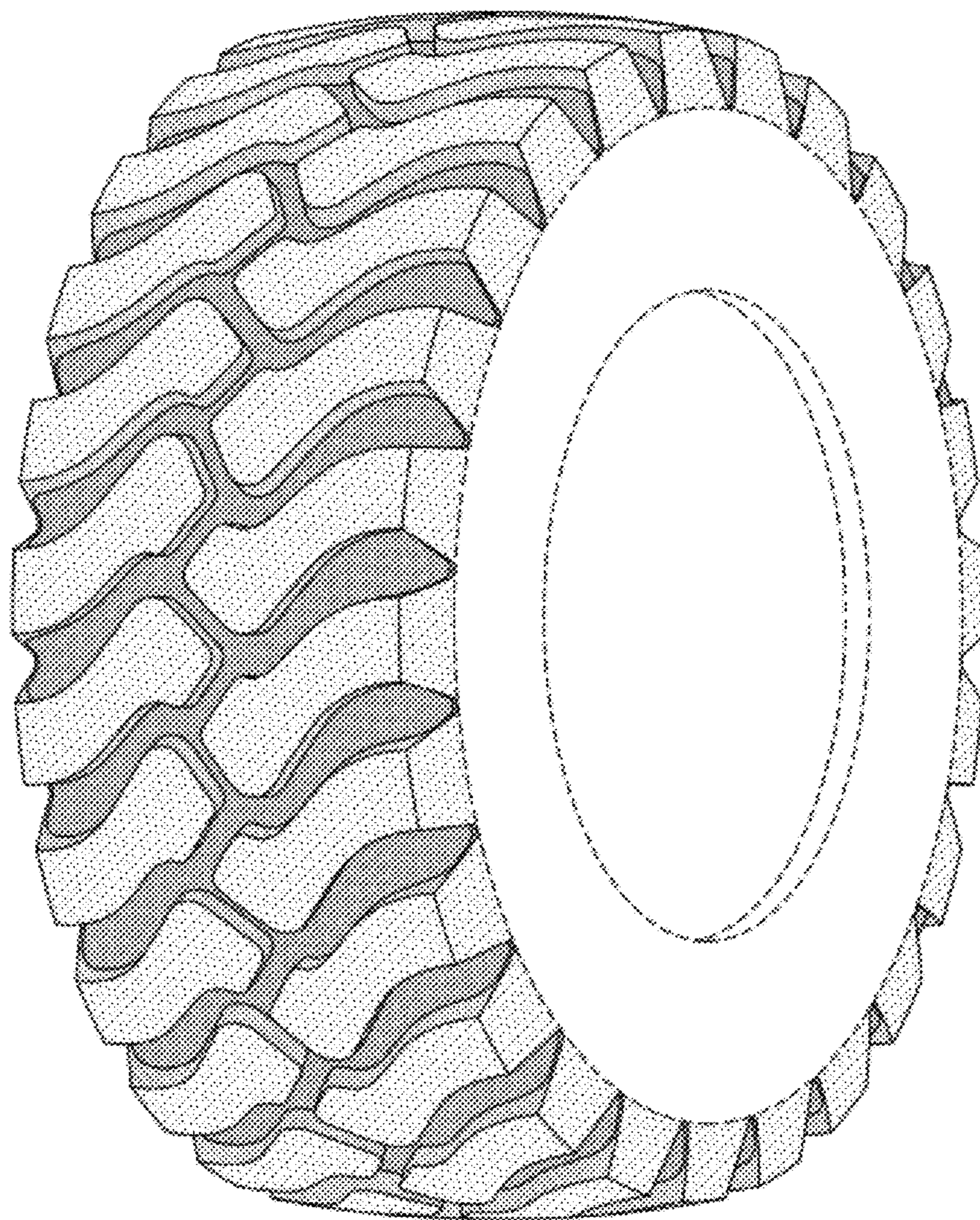


FIG-1

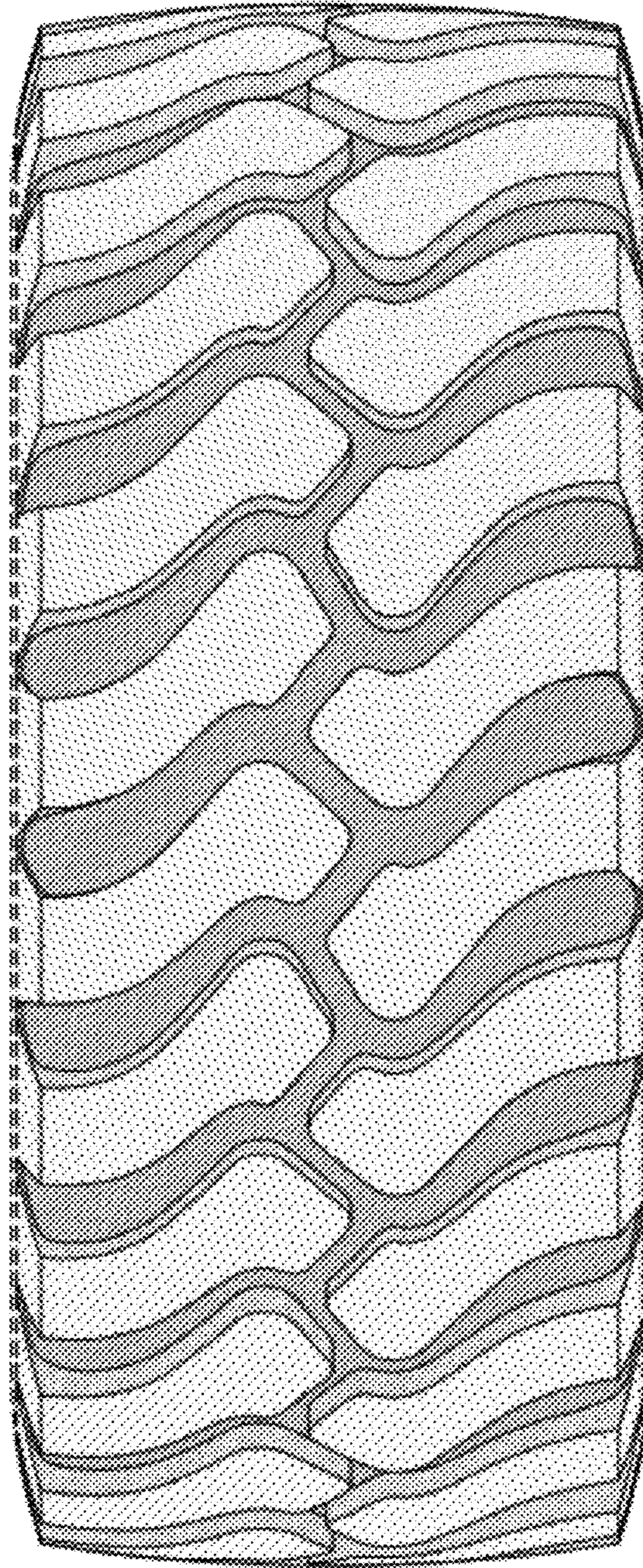


FIG-2

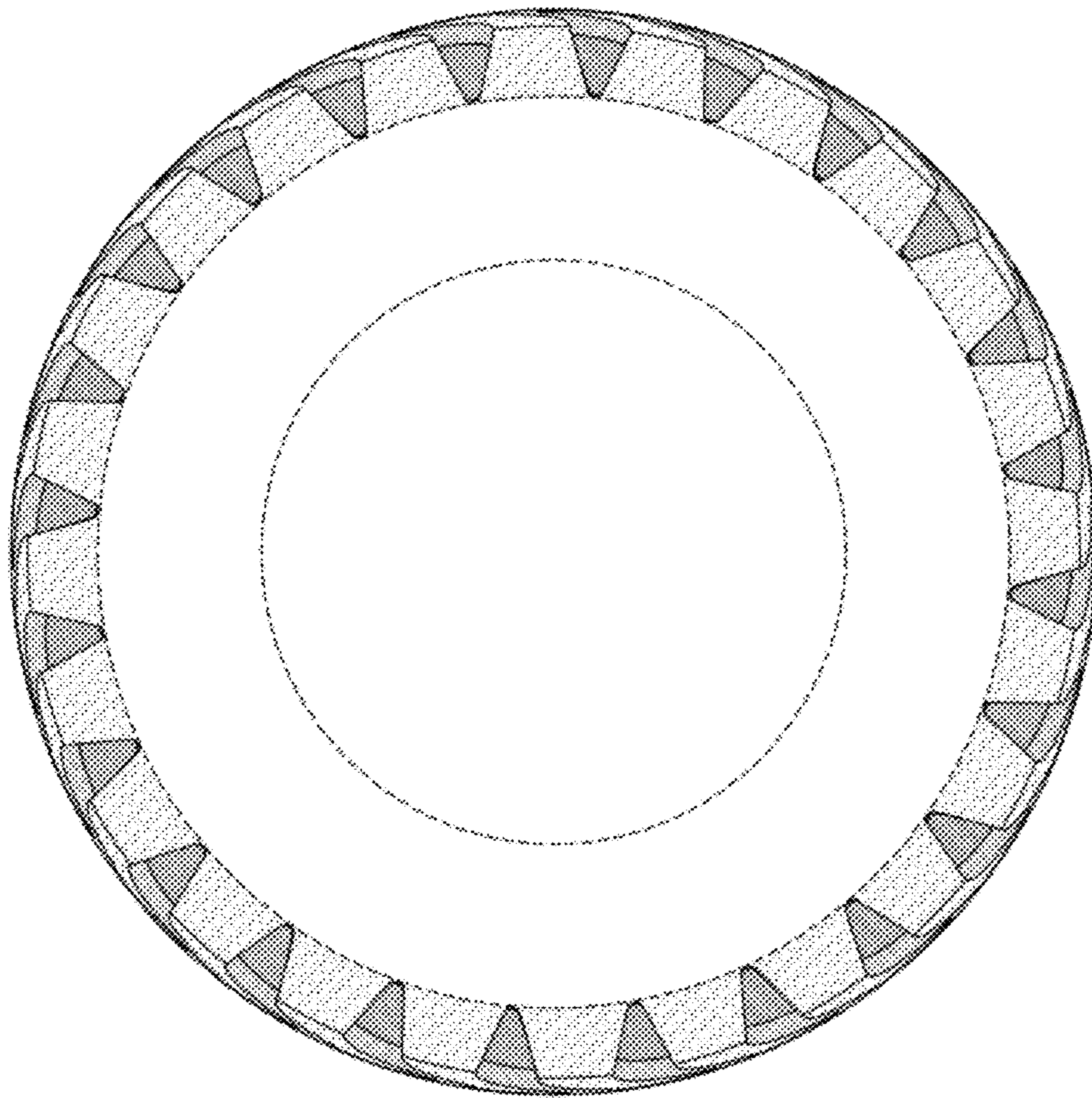


FIG-3

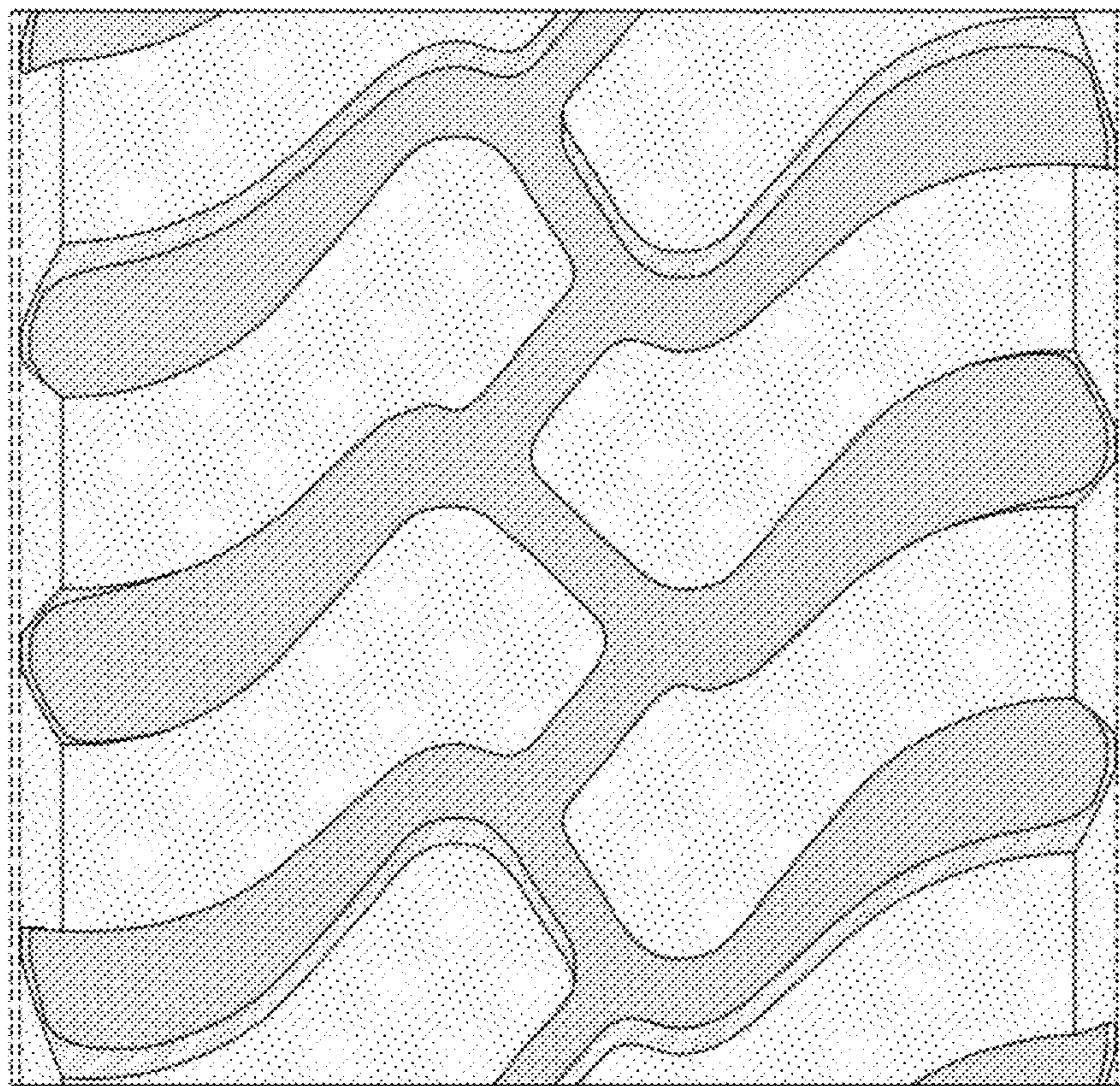


FIG-4

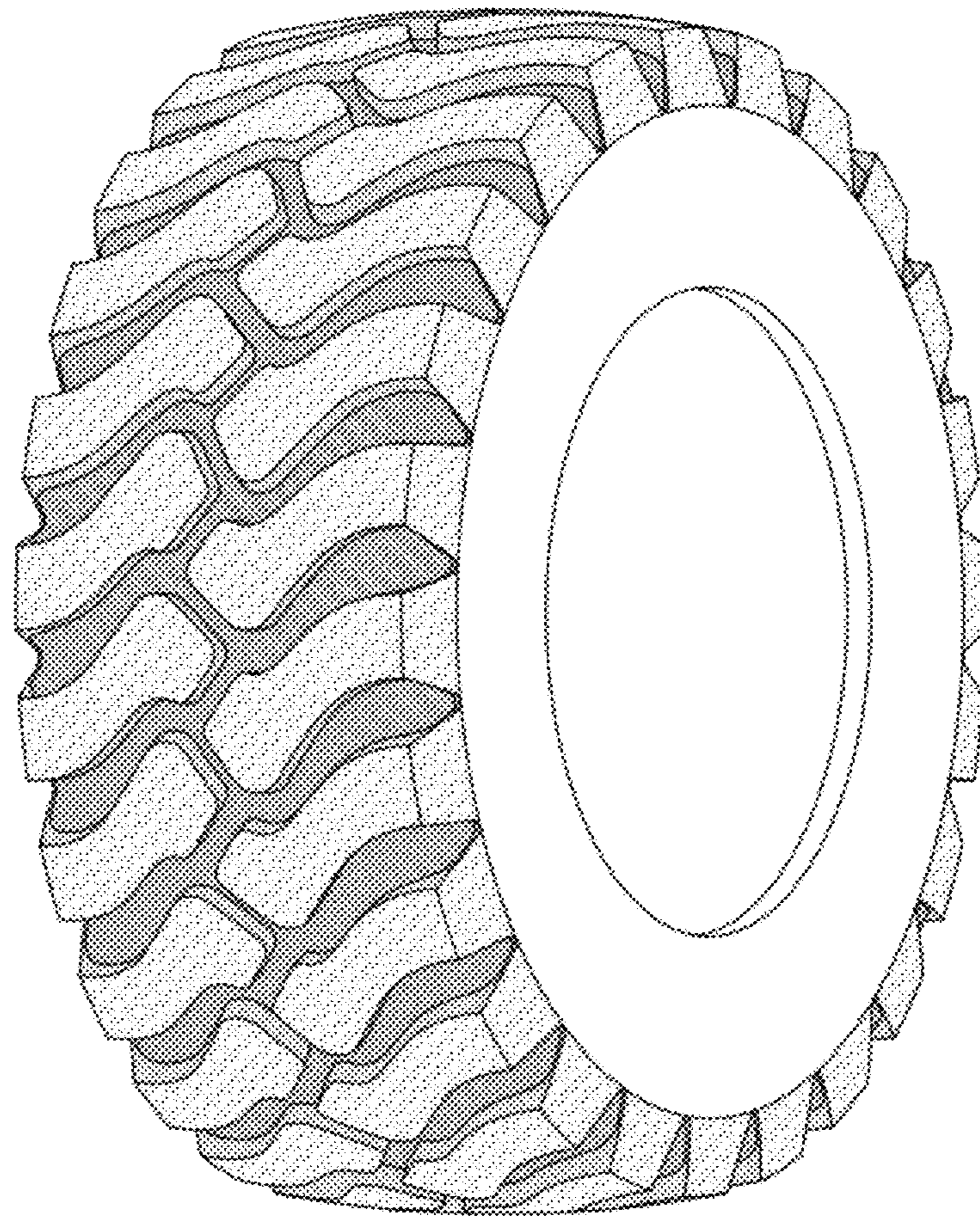


FIG-5

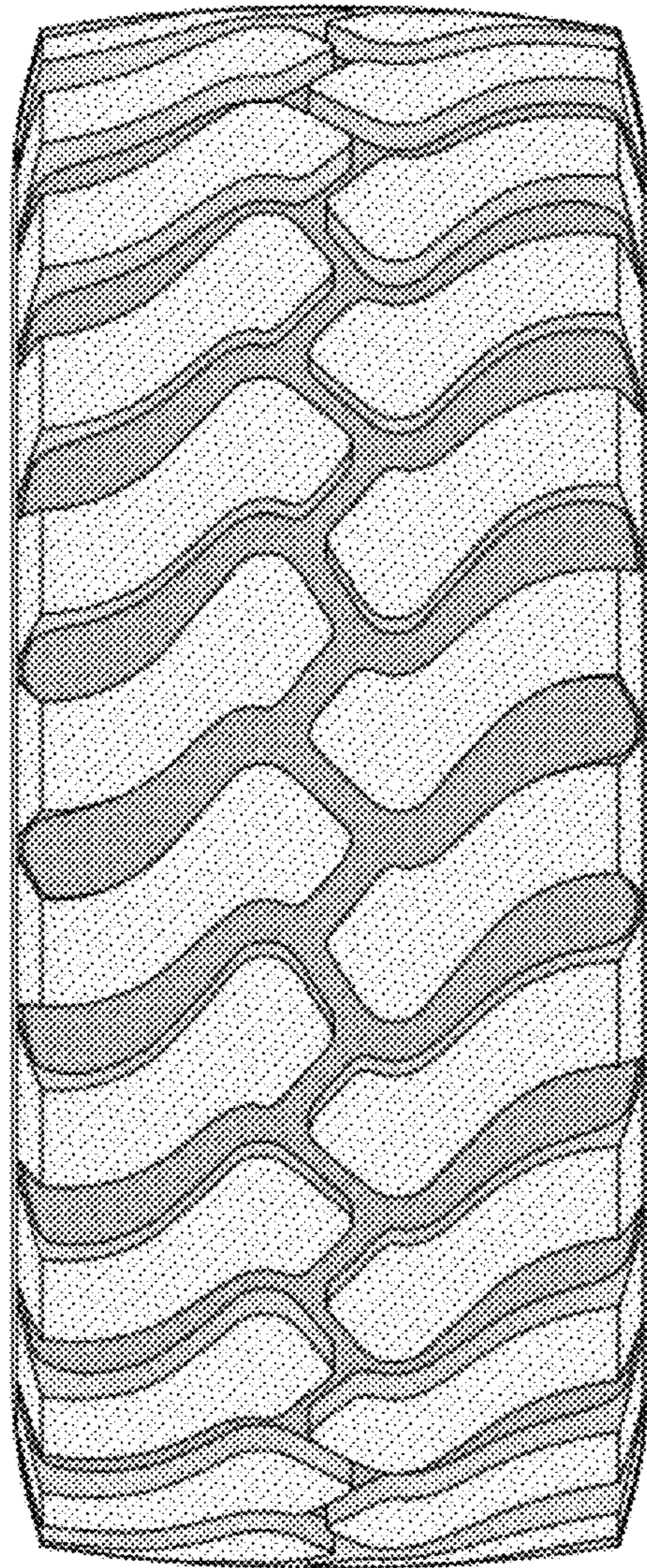


FIG-6