

US00D664913S

(12) **United States Design Patent**  
**Le et al.**

(10) **Patent No.:** **US D664,913 S**  
(45) **Date of Patent:** **\*\* Aug. 7, 2012**

(54) **TIRE**

(75) Inventors: **Phuoc Thuan Le**, Attert (BE); **Roland Willibrord Krier**, Wasserbillig (LU); **Daniel Roder**, Bissen (LU); **Jean-Marie Feller**, Messancy (BE); **Georges Gaston Feider**, Bettborn (LU); **David Gilbert Wieczorek**, Bridel (LU)

(73) Assignee: **The Goodyear Tire & Rubber Company**, Akron, OH (US)

(\*\*) Term: **14 Years**

(21) Appl. No.: **29/417,153**

(22) Filed: **Mar. 30, 2012**

(51) **LOC (9) Cl.** ..... **12-15**

(52) **U.S. Cl.** ..... **D12/521**

(58) **Field of Classification Search** ..... D12/505-532,  
D12/900-901; 152/209.1-209.9, 209.11-209.19,  
152/209.21-209.28, 455

See application file for complete search history.

(56) **References Cited**

U.S. PATENT DOCUMENTS

370,439	A	6/1996	Feider et al.	.....	D12/141
395,626	A	6/1998	Gillard et al.	.....	D12/147
534,484	A1	1/2007	Feider et al.	.....	D12/584
545,756	A1	7/2007	Feider et al.	.....	D12/521
554,053	A1	10/2007	Feider et al.	.....	D12/588
581,347	A1	11/2008	Feider et al.	.....	D12/523
D599,728	S *	9/2009	Froger et al.	.....	D12/521
609,169	A1	2/2010	Feider	.....	D12/588
609,170	A1	2/2010	Feider et al.	.....	D12/588
D609,627	S *	2/2010	Frappart et al.	.....	D12/523
634,699	A1	3/2011	Fontaine et al.	.....	D12/517

D639,720	S *	6/2011	Harvey et al.	.....	D12/521
645,807	A1	9/2011	Scharis et al.	.....	D12/583
646,630	A1	10/2011	Scharis et al.	.....	D12/600
451,441	A1	12/2011	Weber	.....	D12/146
651,159	A1	12/2011	Scharis et al.	.....	D12/517
D655,239	S *	3/2012	Zhao	.....	D12/521

\* cited by examiner

*Primary Examiner* — Stacia Cadmus

(74) *Attorney, Agent, or Firm* — Richard B. O'Planick

(57) **CLAIM**

The ornamental design for a tire, as shown and described.

**DESCRIPTION**

FIG. 1 is a perspective view of a tire showing our new design, it being understood that the pattern repeats uniformly throughout the circumference of the tread;

FIG. 2 is a front elevational view thereof;

FIG. 3 is a right side elevational view thereof; the opposite side elevational view being identical thereto;

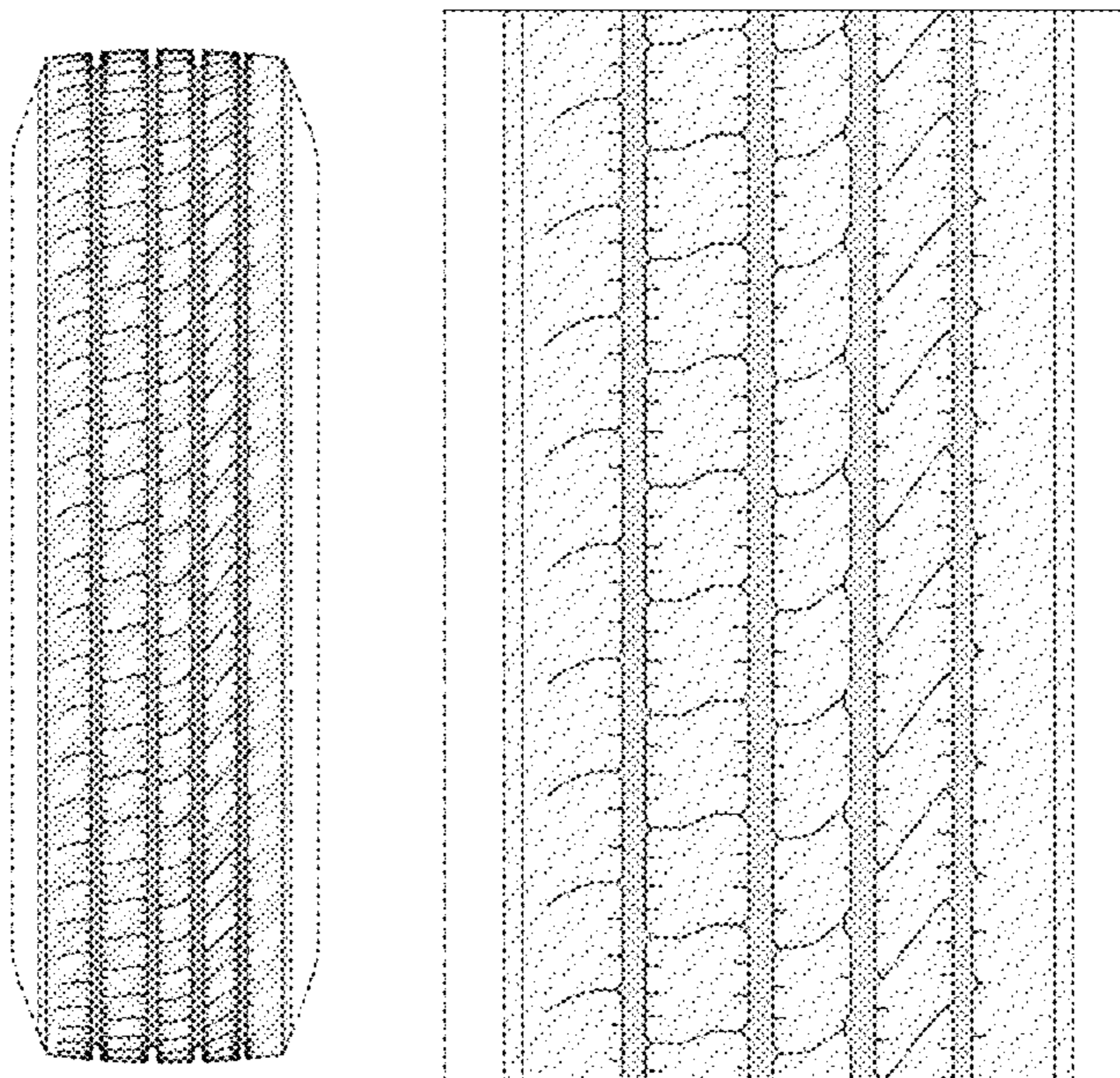
FIG. 4 is an enlarged fragmentary front elevational view thereof;

FIG. 5 is a perspective view of a second embodiment of a tire showing our new design, it being understood that the pattern repeats uniformly throughout the circumference of the tread and that the opposite side view is identical thereto; and,

FIG. 6 is a front elevational view of a second embodiment, it being understood that an enlarged fragmentary view thereof would be substantially identical to that shown in FIG. 4, with the exception of the inclusion of the sidewall in solid lines.

In the drawings, the broken lines showing of the sidewall, inner bead and the peripheral boundary between the tire tread and the sidewall in FIGS. 1 through 4 depict environmental subject matter and form no part of the claimed design.

**1 Claim, 6 Drawing Sheets**



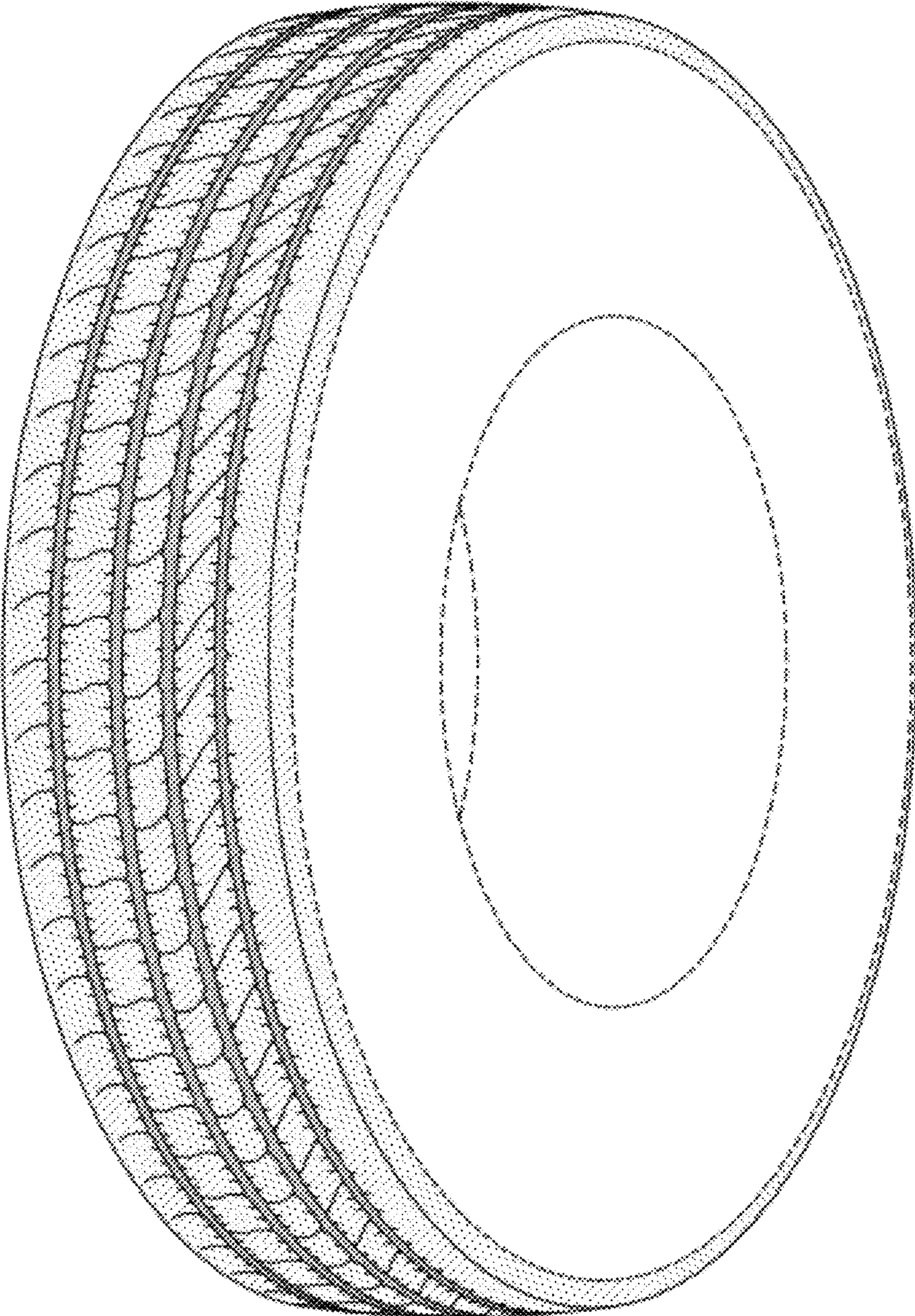


FIG-1

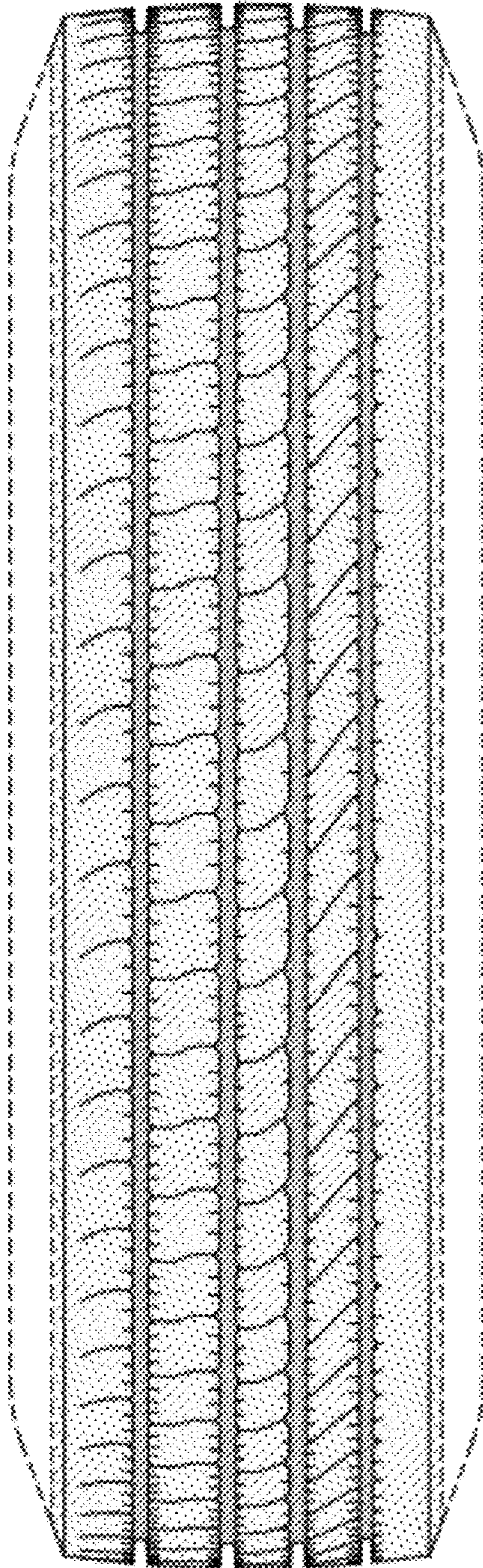


FIG-2

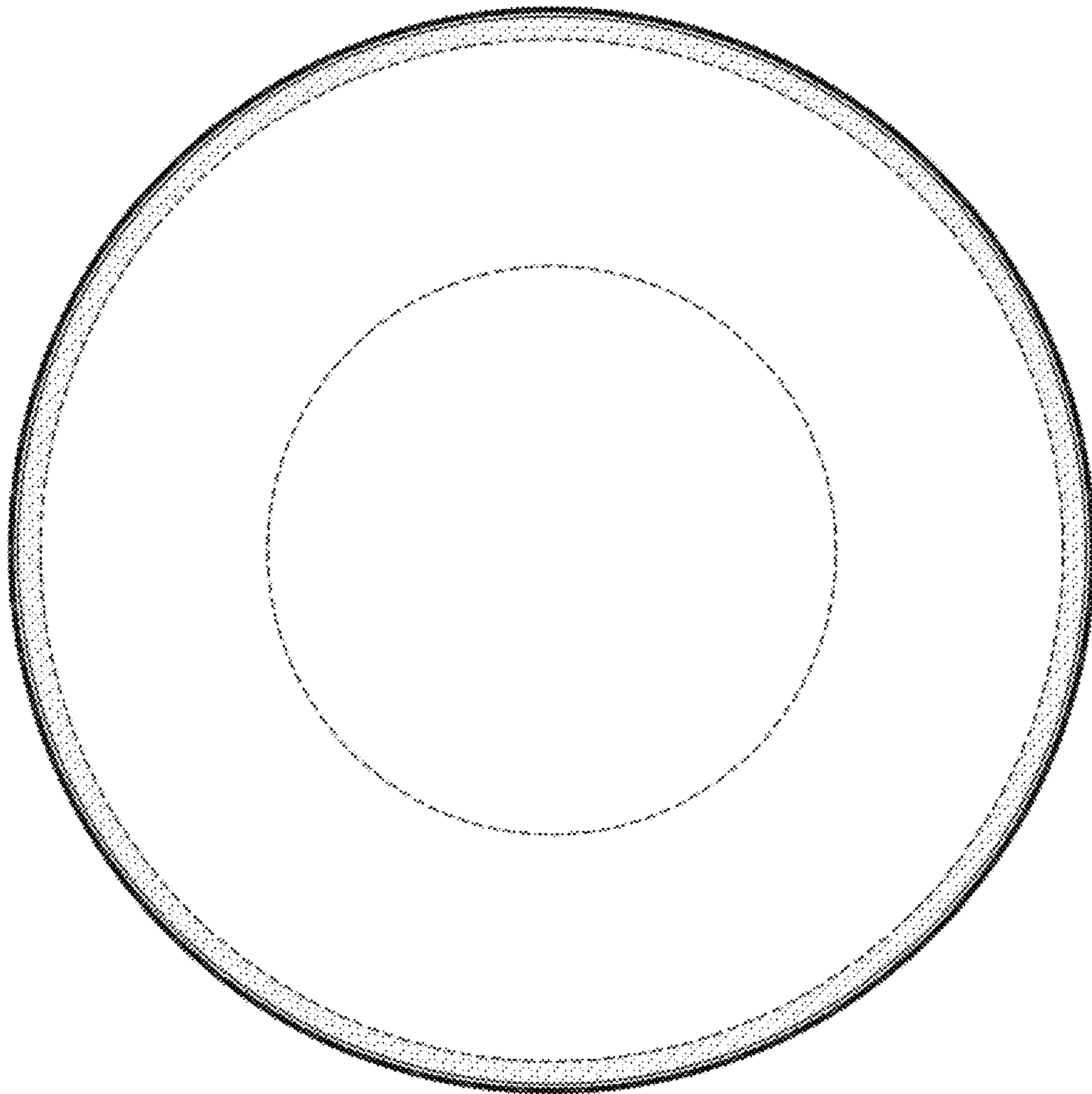


FIG-3

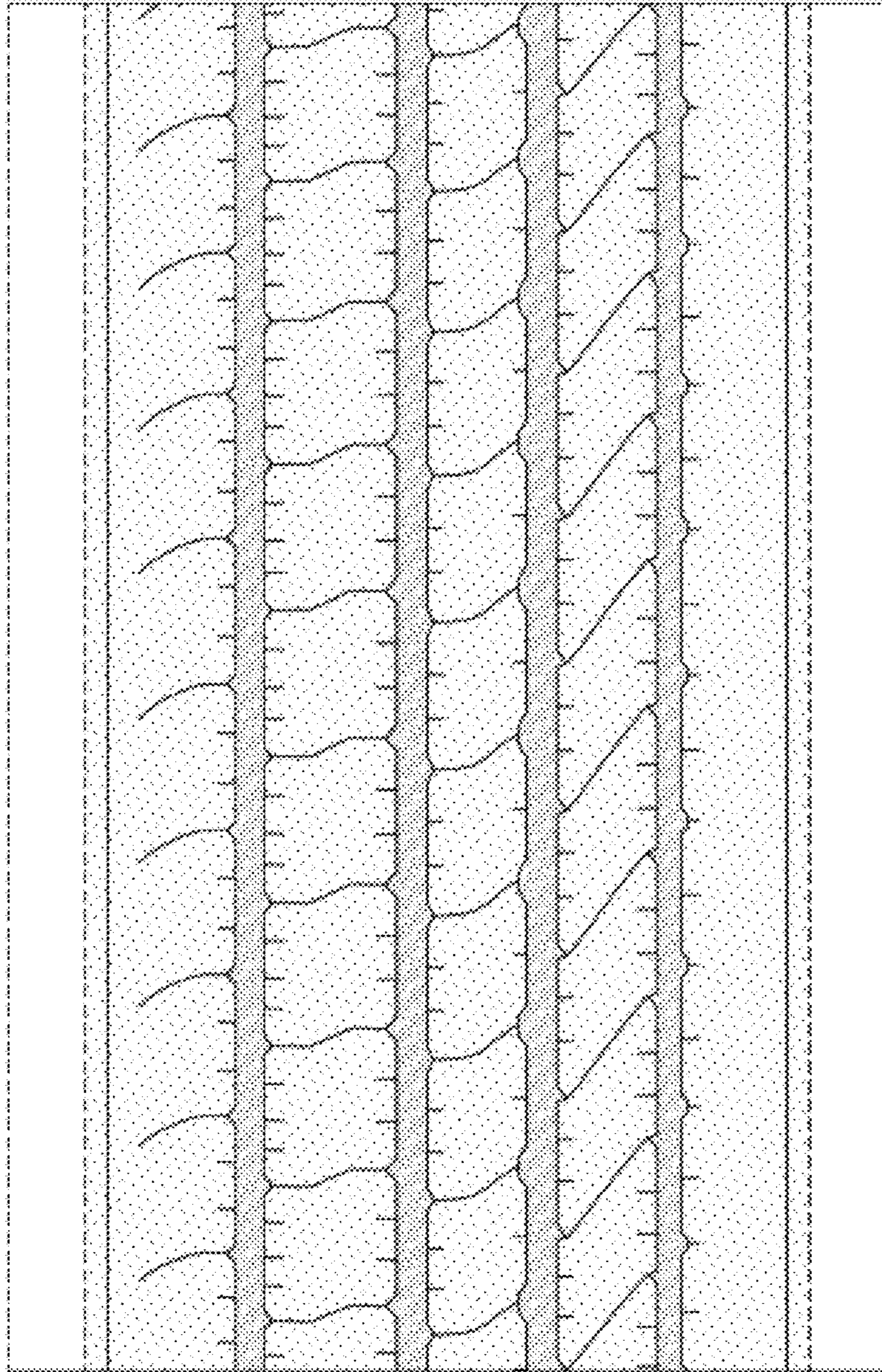


FIG-4

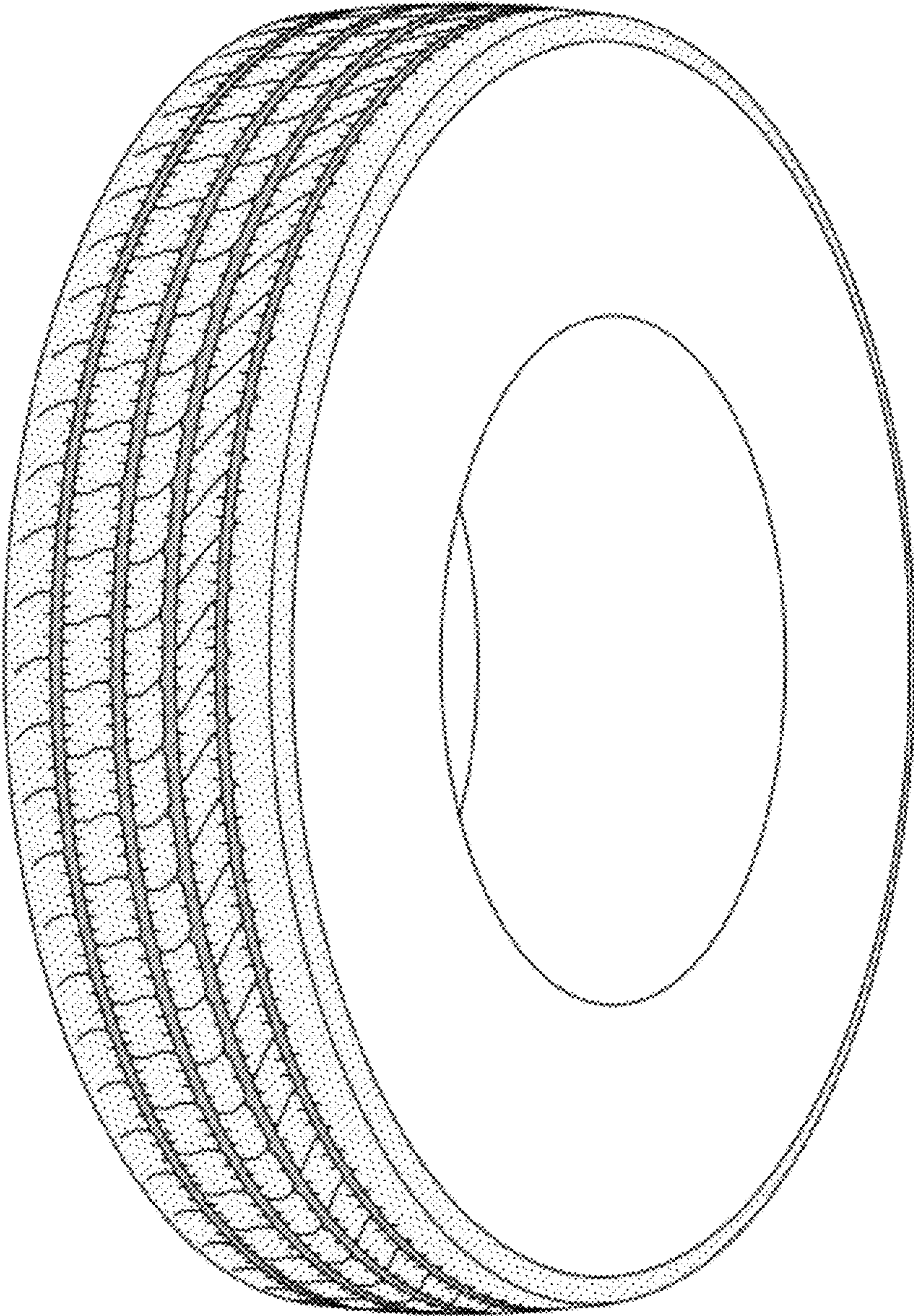


FIG-5

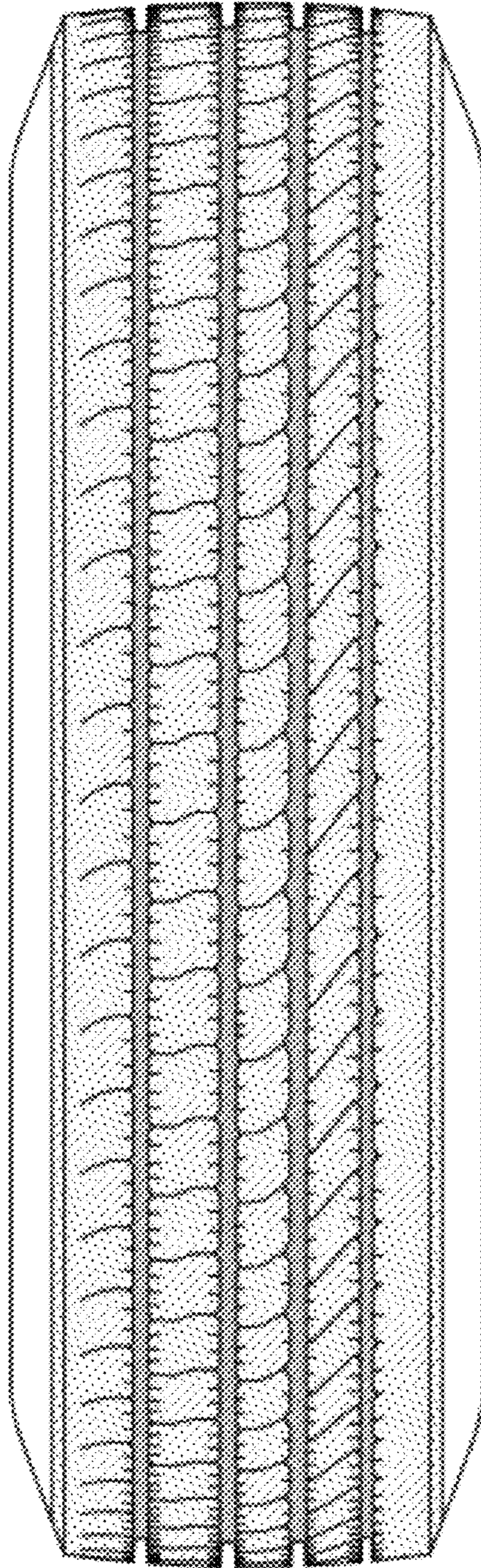


FIG-6