

US00D664911S

(12) **United States Design Patent**  
**Kawamoto**

(10) **Patent No.:** **US D664,911 S**

(45) **Date of Patent:** **\*\* Aug. 7, 2012**

(54) **WINDSHIELD WIPER ARM**

(75) Inventor: **Michael Kawamoto**, Berkley, MI (US)

(73) Assignee: **Trico Products Corporation**, Rochester Hills, MI (US)

(\*\*) Term: **14 Years**

(21) Appl. No.: **29/409,590**

(22) Filed: **Dec. 26, 2011**

**Related U.S. Application Data**

(63) Continuation-in-part of application No. 29/402,266, filed on Sep. 22, 2011.

(51) **LOC (9) Cl.** ..... **12-06**

(52) **U.S. Cl.** ..... **D12/220**

(58) **Field of Classification Search** ..... D12/219-220;  
15/246, 247, 250.001, 250.4, 250.361, 250.19,  
15/250.48, 250.03, 2, 50.31-250.33, 250.351,  
15/250.38, 250.201, 250.451, 250.458, 250.04,  
15/250.07, 250.44

See application file for complete search history.

(56) **References Cited**

**U.S. PATENT DOCUMENTS**

D178,840 S \* 9/1956 Krohm ..... D12/220  
D178,846 S \* 9/1956 Norris ..... D7/308  
D342,225 S \* 12/1993 Heckman et al. .... D12/220  
D353,359 S \* 12/1994 Lee ..... D12/220

D389,449 S \* 1/1998 Hussaini ..... D12/220  
D395,865 S \* 7/1998 Powell et al. .... D12/220  
D410,889 S \* 6/1999 Lee ..... D12/220  
D432,072 S \* 10/2000 Breesch et al. .... D12/219  
D547,713 S \* 7/2007 Goeller ..... D12/220  
D553,552 S \* 10/2007 Heng ..... D12/220  
D556,118 S \* 11/2007 Claes ..... D12/220  
D564,434 S \* 3/2008 Claes ..... D12/220  
D564,955 S \* 3/2008 Claes ..... D12/220  
D569,326 S \* 5/2008 Biosca-Munt et al. .... D12/220

\* cited by examiner

*Primary Examiner* — Caron D Veynar

*Assistant Examiner* — Katrina A Betton

(74) *Attorney, Agent, or Firm* — Bliss McGlynn, P.C.

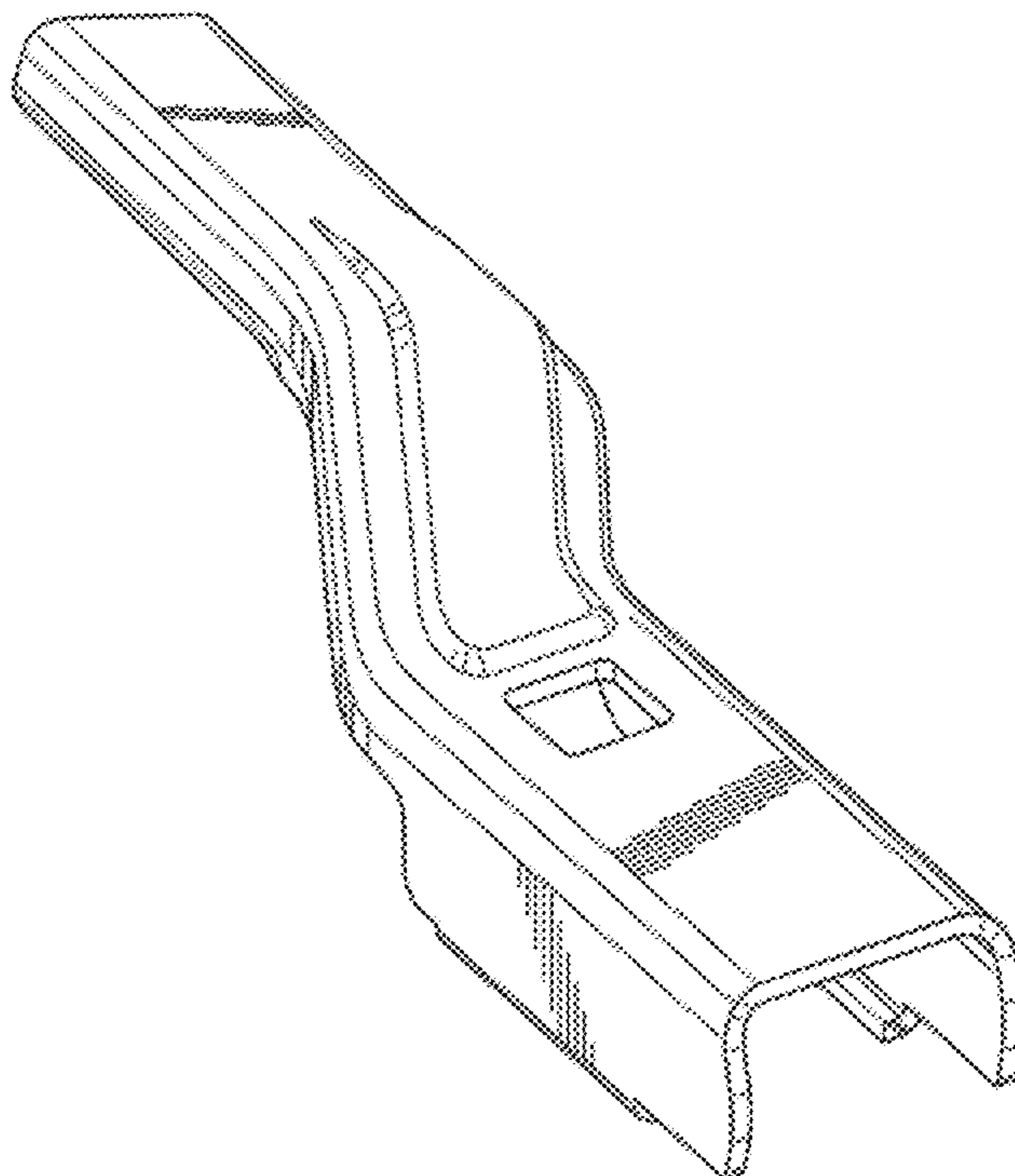
(57) **CLAIM**

The ornamental design for a windshield wiper arm, as shown and described.

**DESCRIPTION**

FIG. 1 is a perspective view of the windshield wiper arm design of the present invention;  
FIG. 2 is a top view thereof;  
FIG. 3 is a side view thereof;  
FIG. 4 is an end view thereof;  
FIG. 5 is a view of the opposite end thereof;  
FIG. 6 is an opposite side view thereof; and,  
FIG. 7 is a bottom view thereof.

**1 Claim, 3 Drawing Sheets**



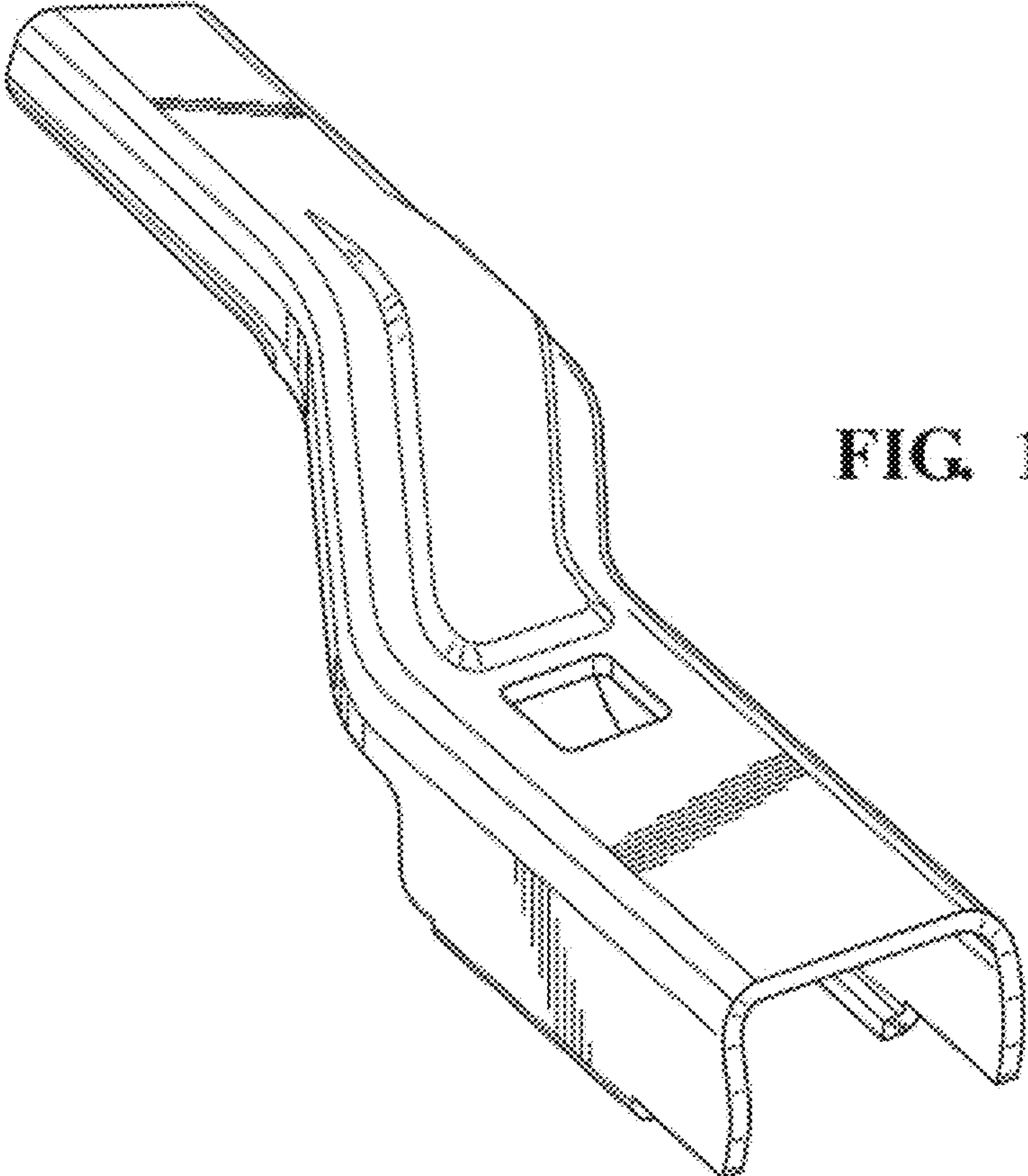


FIG. 1

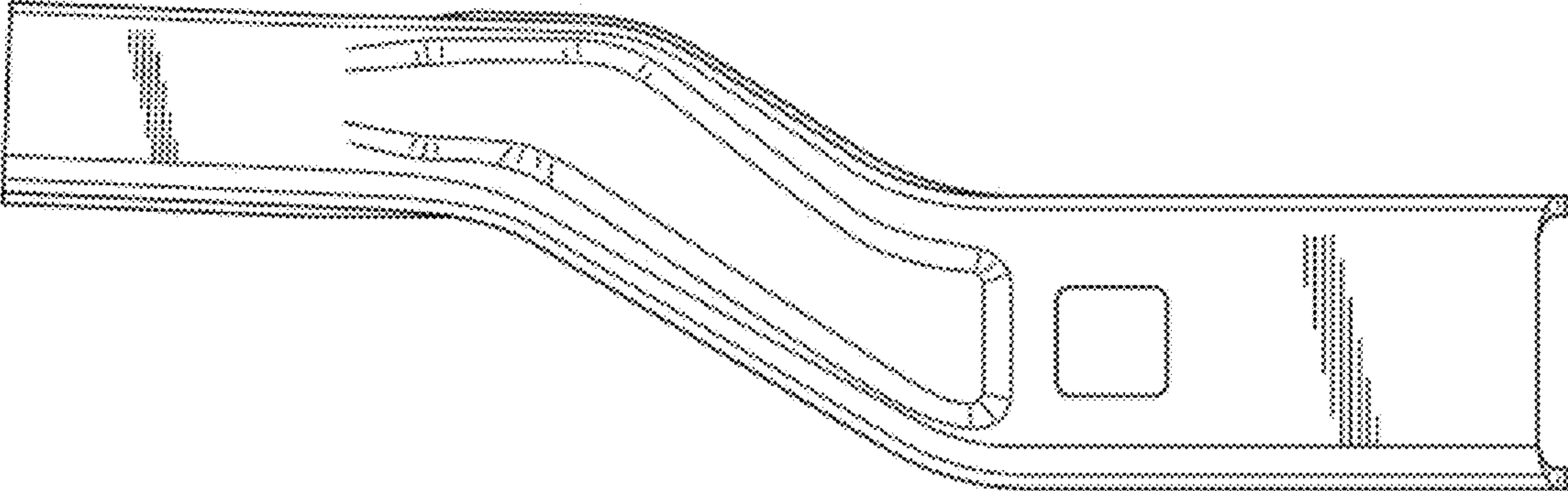


FIG. 2

FIG. 3

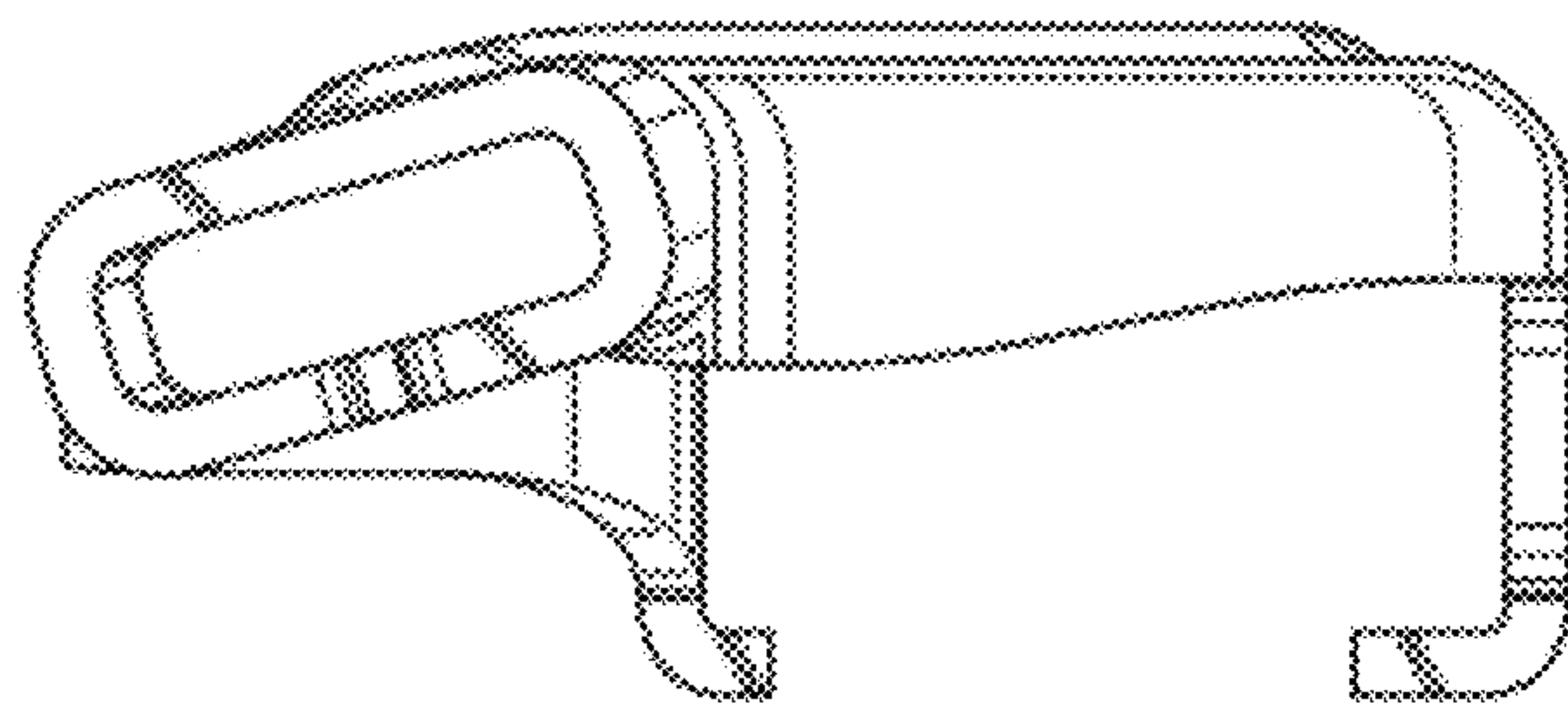
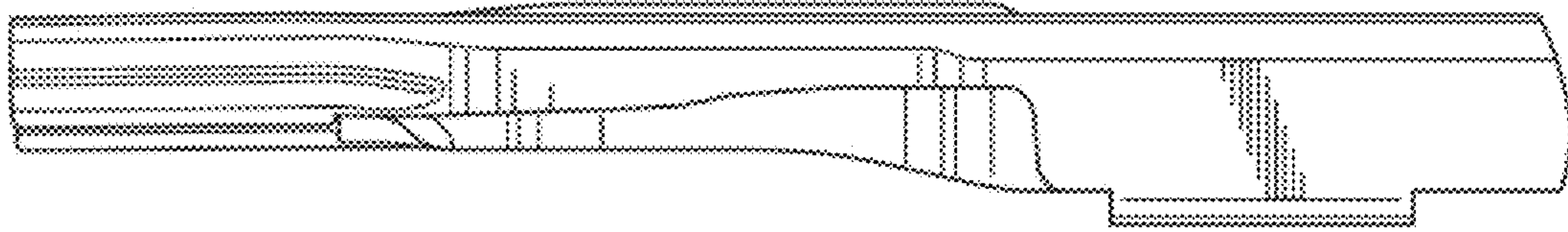


FIG. 4

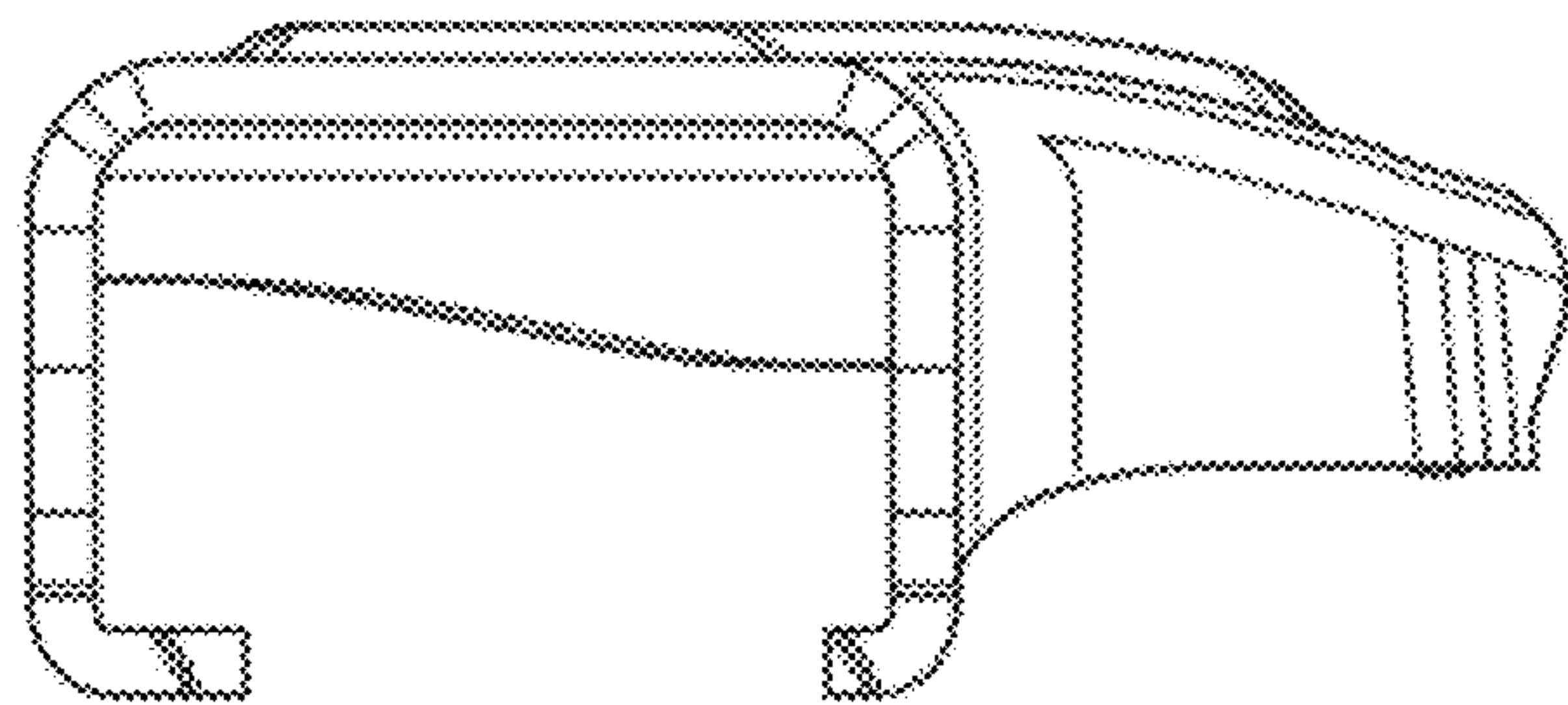


FIG. 5

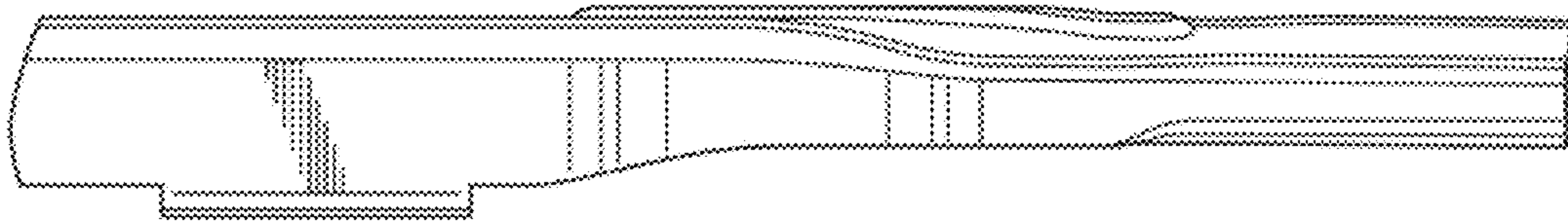


FIG. 6

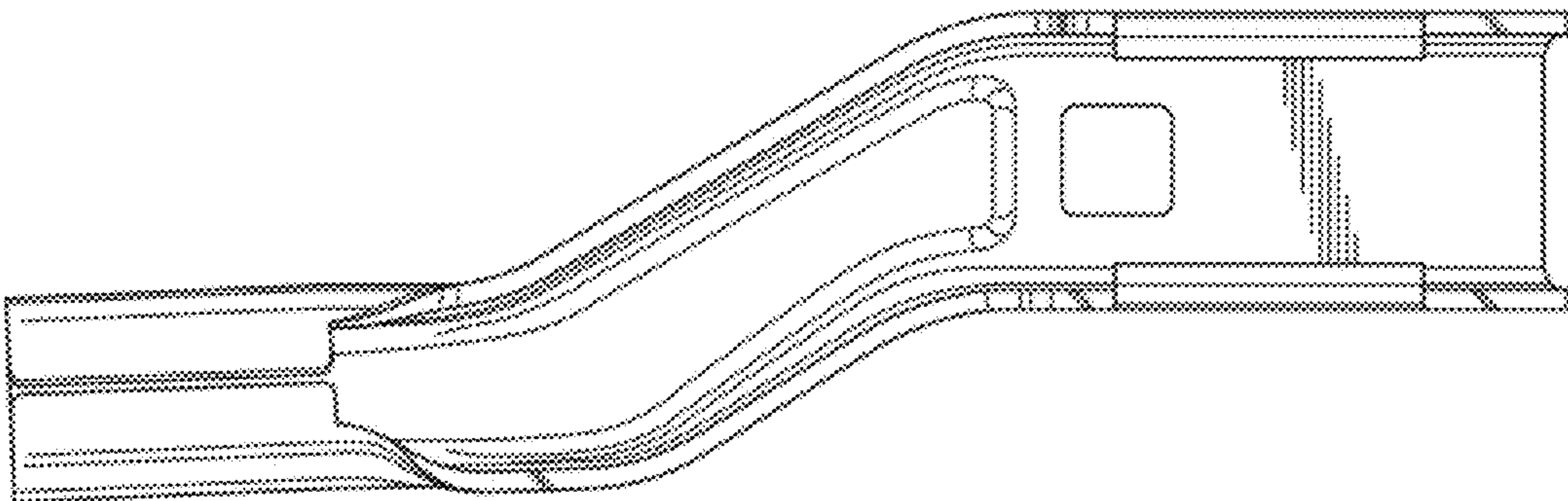


FIG. 7