



US00D664910S

(12) **United States Design Patent**
Gallert

(10) **Patent No.:** **US D664,910 S**

(45) **Date of Patent:** **** Aug. 7, 2012**

(54) **AUTOMOBILE WHEEL**

(75) Inventor: **Michael Gallert**, Stuttgart (DE)

(73) Assignee: **Dr. Ing. h.c. F. Porsche**
Aktiengesellschaft, Stuttgart (DE)

(**) Term: **14 Years**

(21) Appl. No.: **29/364,829**

(22) Filed: **Jun. 29, 2010**

Related U.S. Application Data

(63) Continuation of application No. 29/341,210, filed on Jul. 31, 2009, now abandoned.

(30) **Foreign Application Priority Data**

Feb. 27, 2009 (DE) 40 2009 001 007

(51) **LOC (9) Cl.** **12-16**

(52) **U.S. Cl.** **D12/211**

(58) **Field of Classification Search** D12/204-213;
301/37.101, 64.101, 65, 64.201
See application file for complete search history.

(56) **References Cited**

U.S. PATENT DOCUMENTS

D407,057 S *	3/1999	Goplen	D12/211
D436,912 S *	1/2001	Boyer	D12/211
D453,133 S *	1/2002	Murkett et al.	D12/209
D462,643 S *	9/2002	Murkett et al.	D12/211
D466,459 S *	12/2002	Murkett et al.	D12/209
D486,110 S *	2/2004	Elmitt	D12/211
D486,113 S *	2/2004	Lecher et al.	D12/211

D500,470 S *	1/2005	Rice	D12/211
D505,903 S *	6/2005	Nordmann	D12/209
D507,225 S *	7/2005	Velazco	D12/211
D521,921 S *	5/2006	Hueller	D12/209
D527,325 S *	8/2006	Nagashima	D12/209
D541,204 S *	4/2007	Huet	D12/211
D551,150 S *	9/2007	Hueller	D12/211
D560,152 S *	1/2008	Nordmann	D12/211
D586,281 S *	2/2009	Pfeiffer	D12/209
D586,282 S *	2/2009	Pfeiffer	D12/209
D589,423 S *	3/2009	Juergens et al.	D12/209
D589,426 S *	3/2009	Yoon	D12/211
D620,868 S *	8/2010	Gallert	D12/211
D641,301 S *	7/2011	Hilpert	D12/211

* cited by examiner

Primary Examiner — Stacia Cadmus

(74) *Attorney, Agent, or Firm* — RatnerPrestia

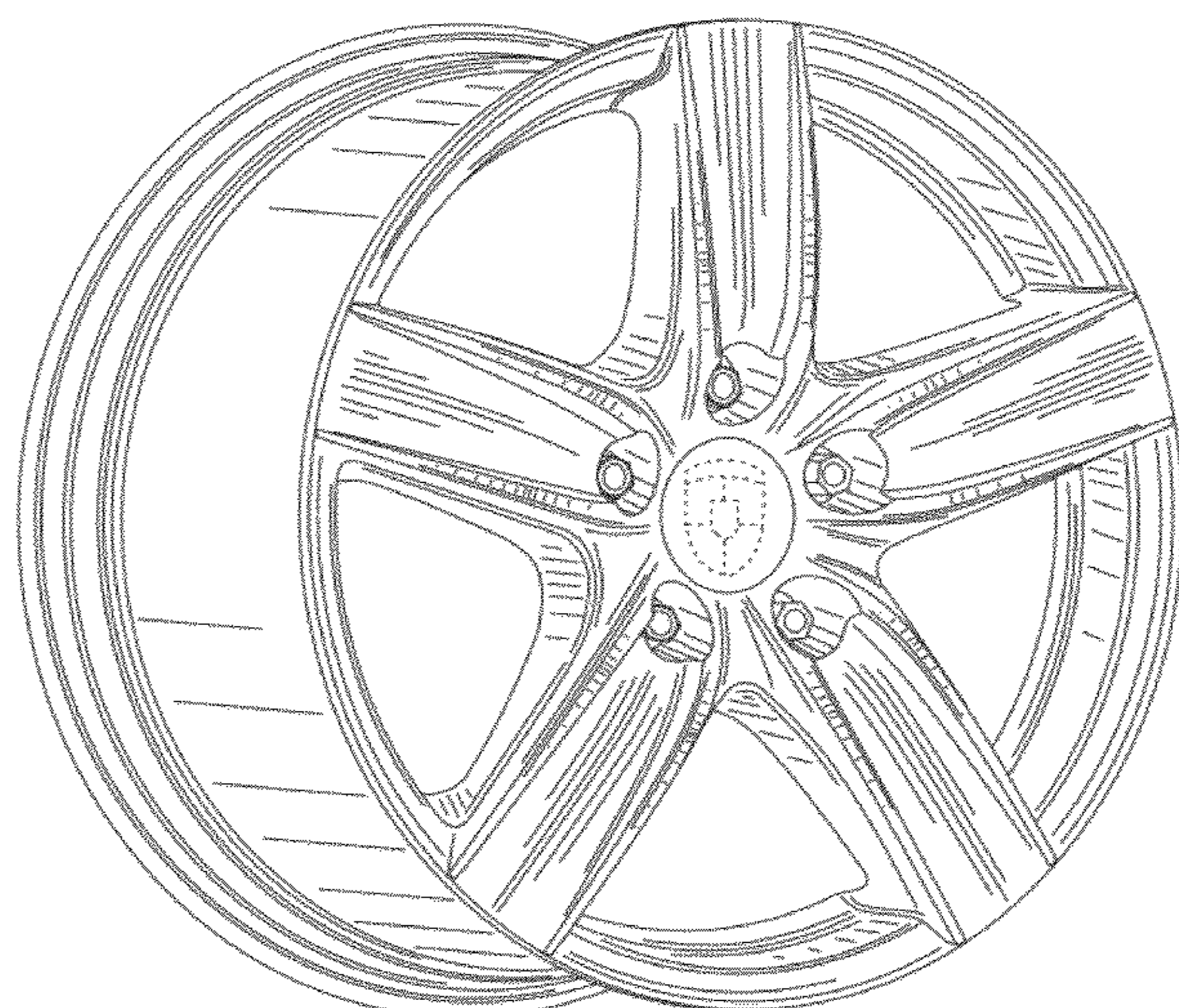
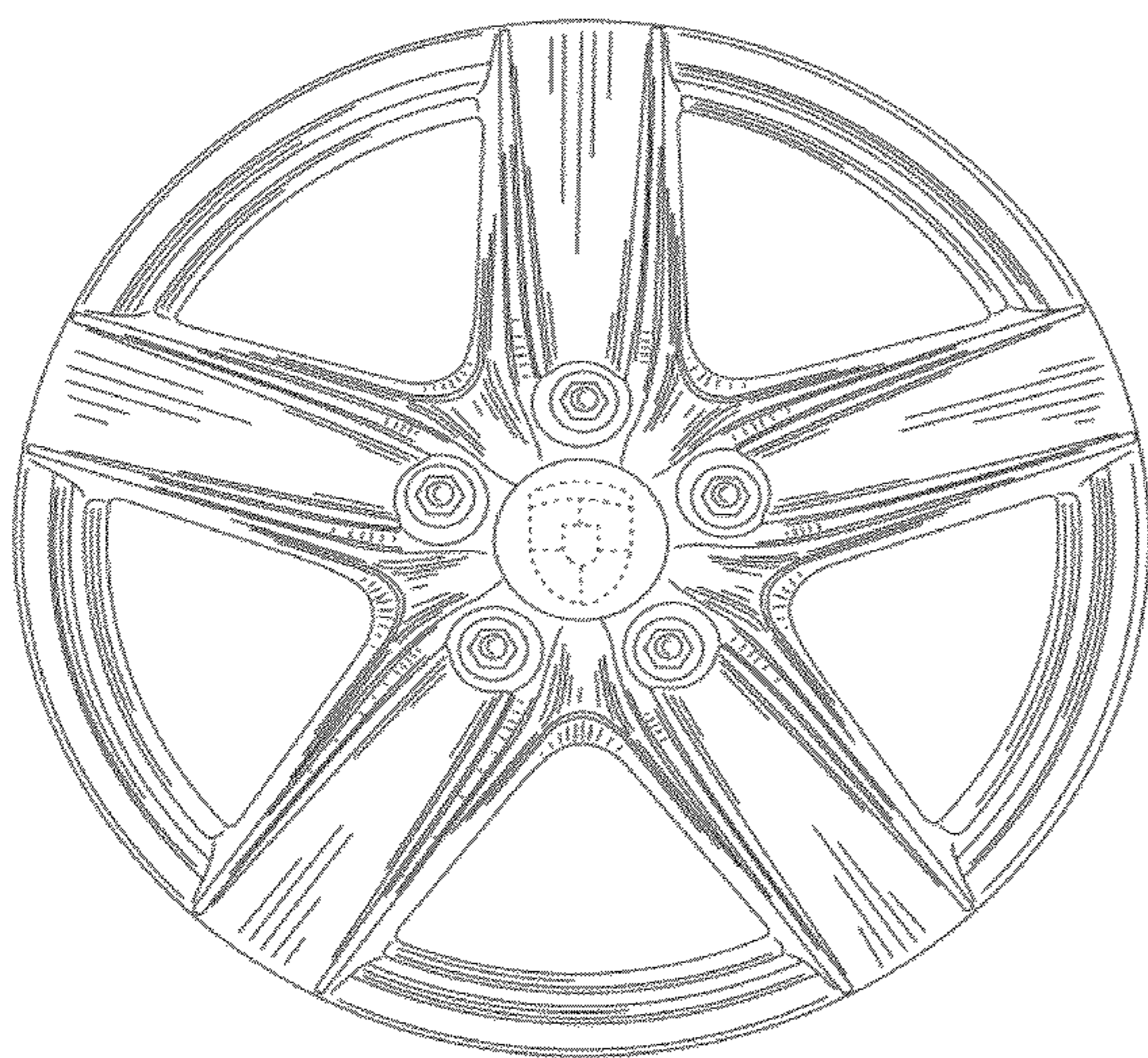
(57) **CLAIM**

The ornamental design for an automobile wheel, as shown and described.

DESCRIPTION

FIG. 1 is a front elevational view of an automobile wheel, showing my new design;
FIG. 2 is a perspective view thereof;
FIG. 3 is a top, plan view thereof;
FIG. 4 is bottom, plan view thereof;
FIG. 5 is a left-side view thereof; and,
FIG. 6 is a right-side view thereof.
The broken line showing of the emblem in FIGS. 1 and 2 is included for the purpose of illustrating environment and forms no part of the claimed design.

1 Claim, 4 Drawing Sheets



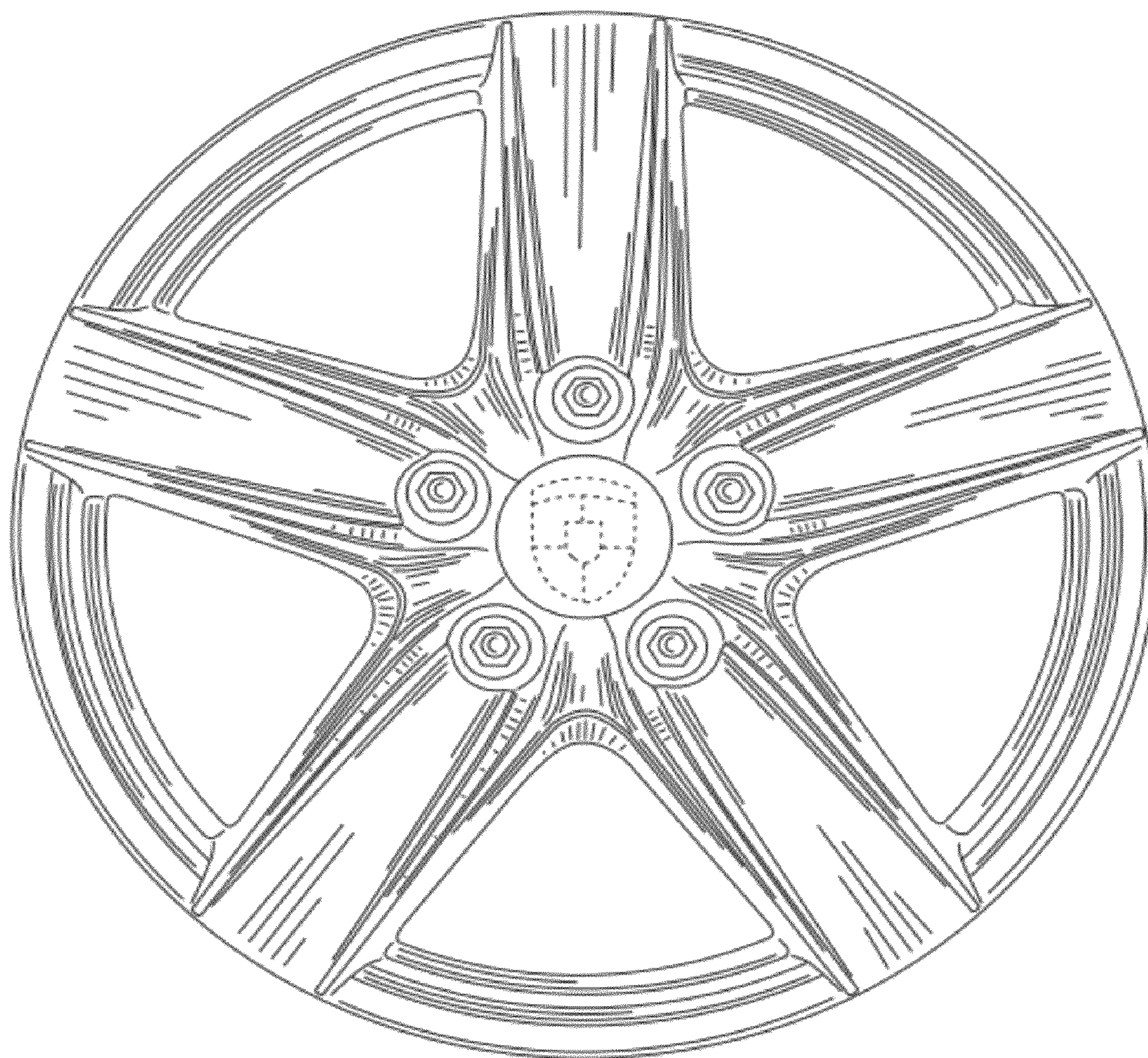


FIG. 1

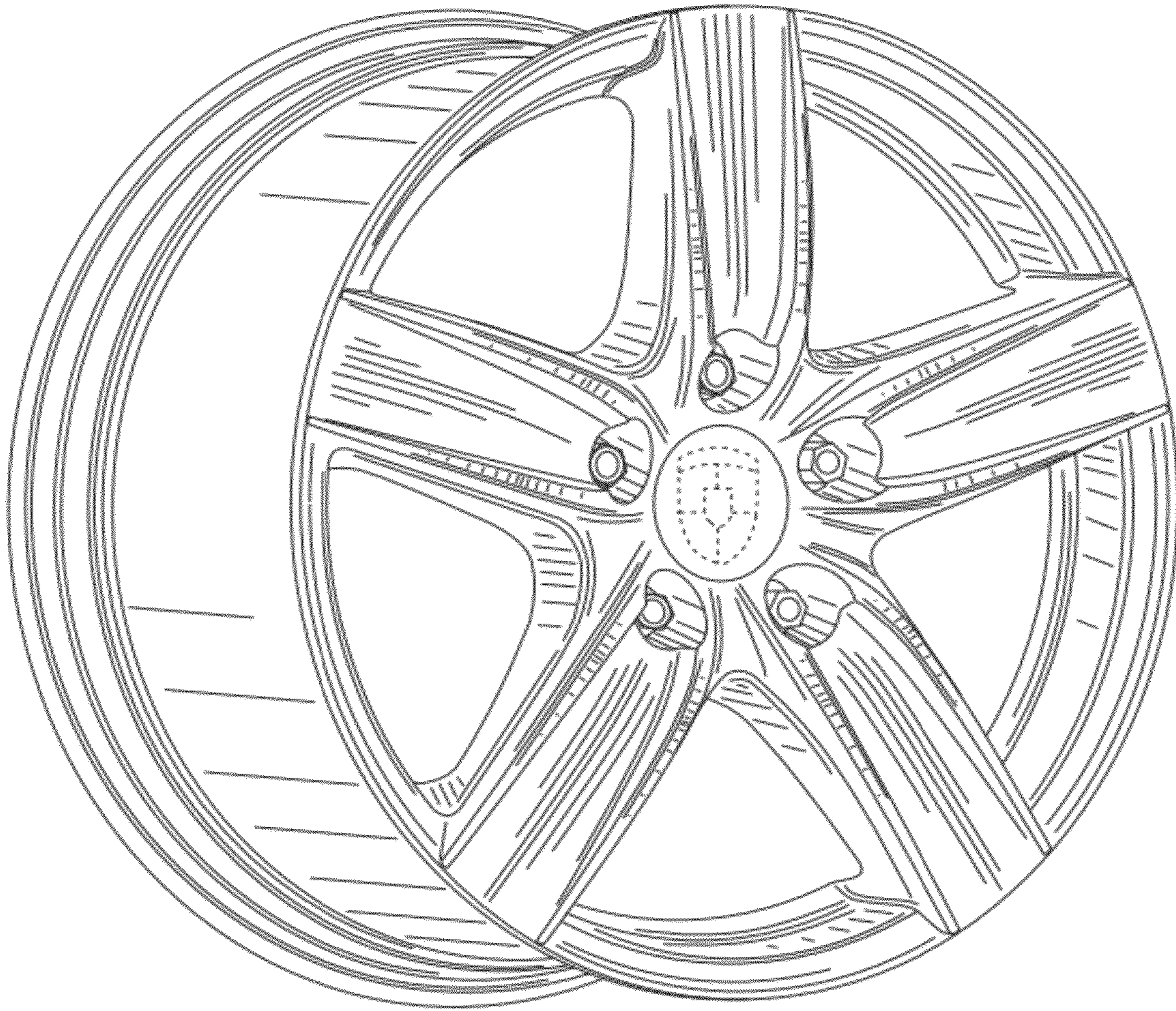


FIG. 2

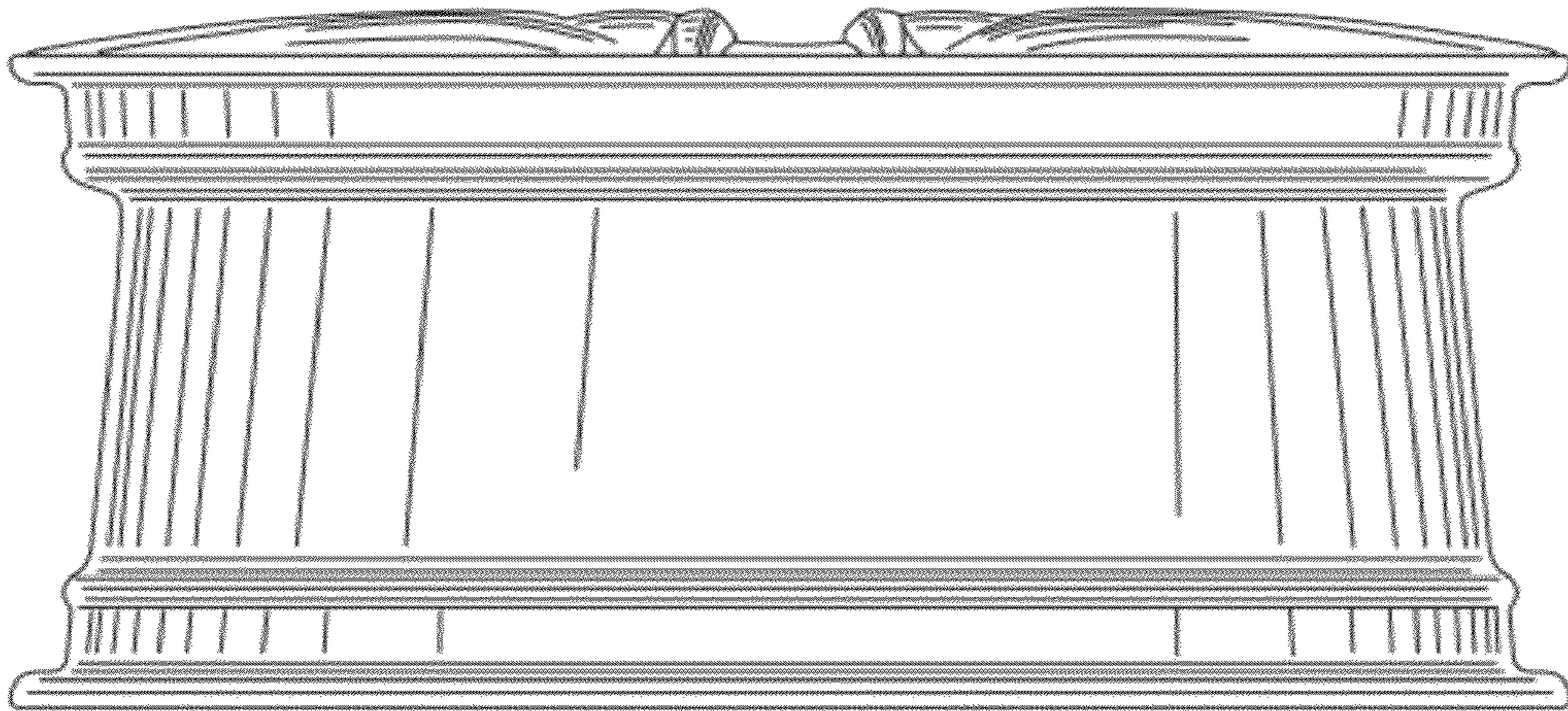


FIG. 3

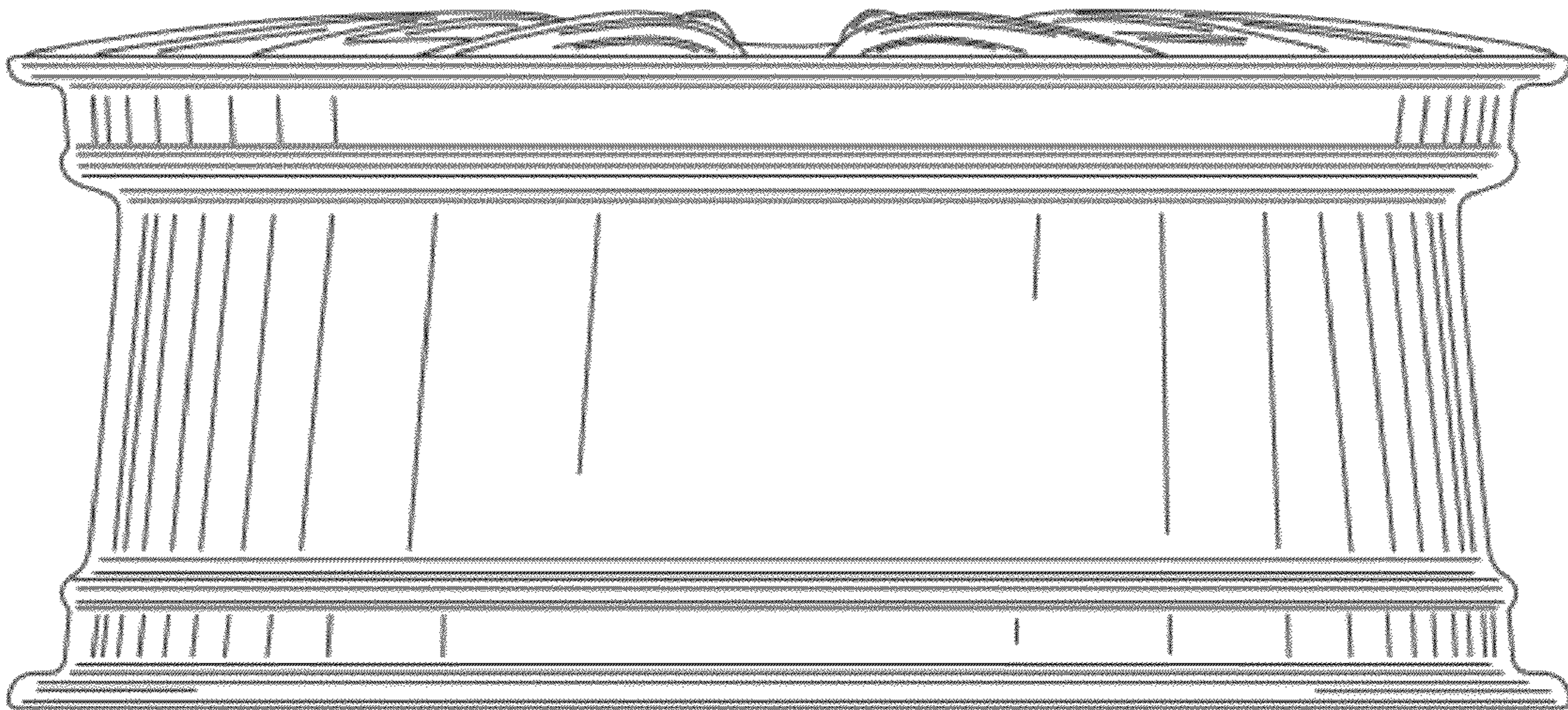


FIG. 4

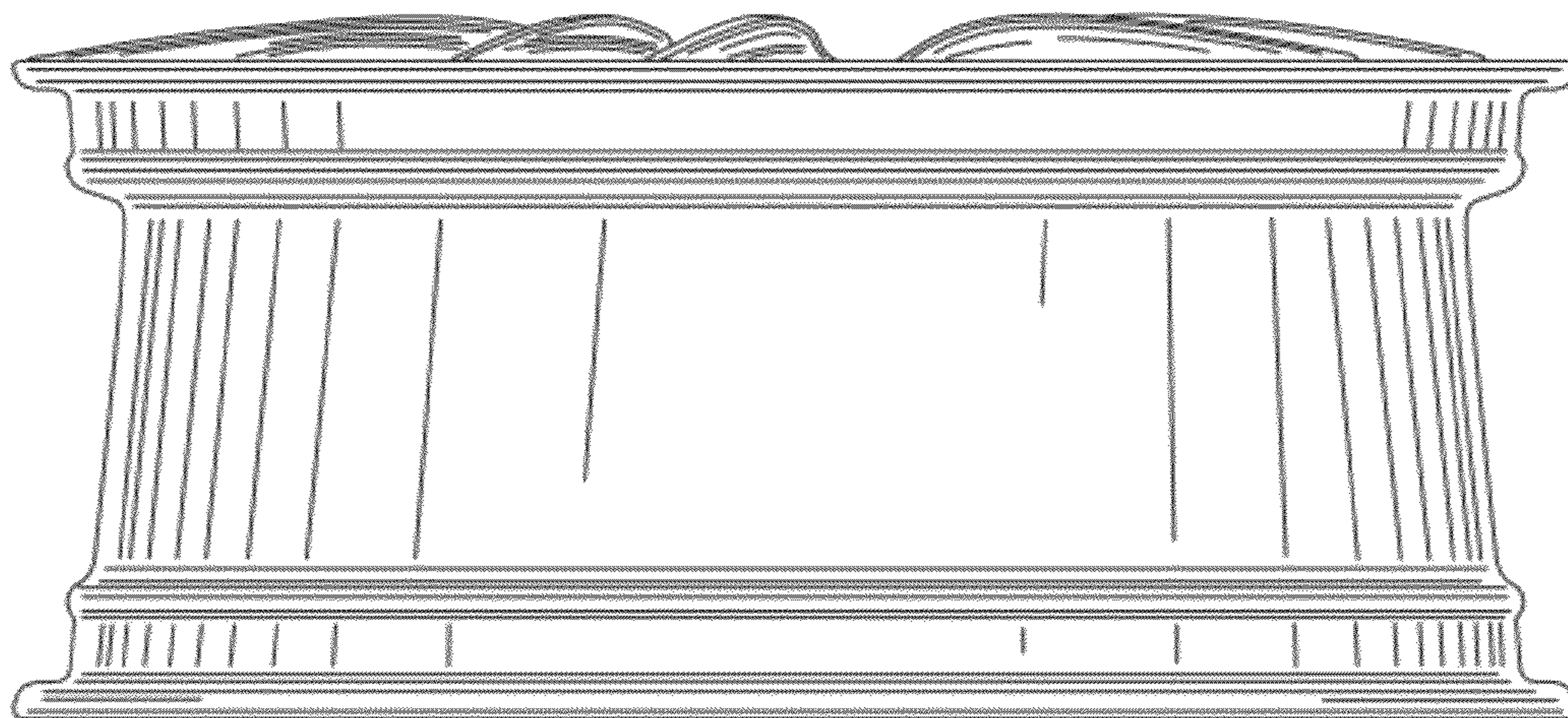


FIG. 5

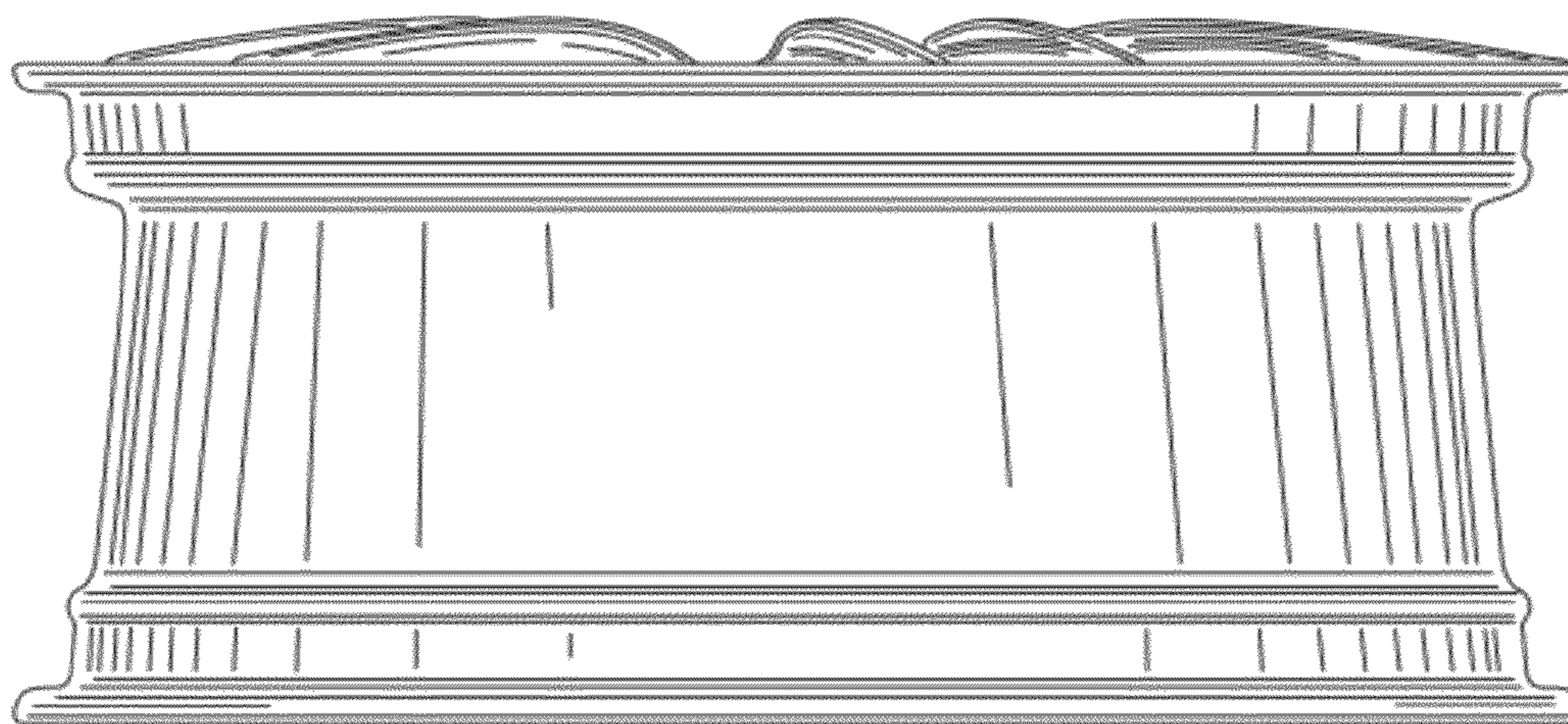


FIG. 6