

US00D664909S

(12) **United States Design Patent**
Williams

(10) **Patent No.:** **US D664,909 S**

(45) **Date of Patent:** **** Aug. 7, 2012**

(54) **VEHICLE WHEEL**

(76) Inventor: **Bruce P. Williams**, Grosse Pointe Park, MI (US)

(**) Term: **14 Years**

(21) Appl. No.: **29/415,187**

(22) Filed: **Mar. 8, 2012**

(51) **LOC (9) Cl.** **12-16**

(52) **U.S. Cl.** **D12/210**

(58) **Field of Classification Search** D12/204-213;
301/37.101, 64.101, 65, 64.201
See application file for complete search history.

(56) **References Cited**

U.S. PATENT DOCUMENTS

D361,975 S *	9/1995	Weld	D12/210
D492,925 S *	7/2004	Fitzgerald	D12/210
D502,678 S *	3/2005	Weld	D12/210
D555,064 S *	11/2007	Danbom	D12/204
D576,093 S *	9/2008	Chung	D12/210
D582,827 S *	12/2008	Musser	D12/210

D590,759 S *	4/2009	Eaton	D12/210
D596,101 S	7/2009	Tant et al.		
D612,316 S *	3/2010	Sanschagrin et al.	D12/210
D612,789 S	3/2010	Tant et al.		
D612,790 S	3/2010	Tant et al.		
D613,660 S	4/2010	Tant et al.		
D614,109 S	4/2010	Tant et al.		
D614,110 S	4/2010	Tant et al.		
D614,111 S	4/2010	Tant et al.		
D614,112 S	4/2010	Tant et al.		
D614,113 S	4/2010	Tant et al.		
D624,477 S *	9/2010	McMath	D12/210

* cited by examiner

Primary Examiner — Stacia Cadmus

(74) *Attorney, Agent, or Firm* — Damian Porcari

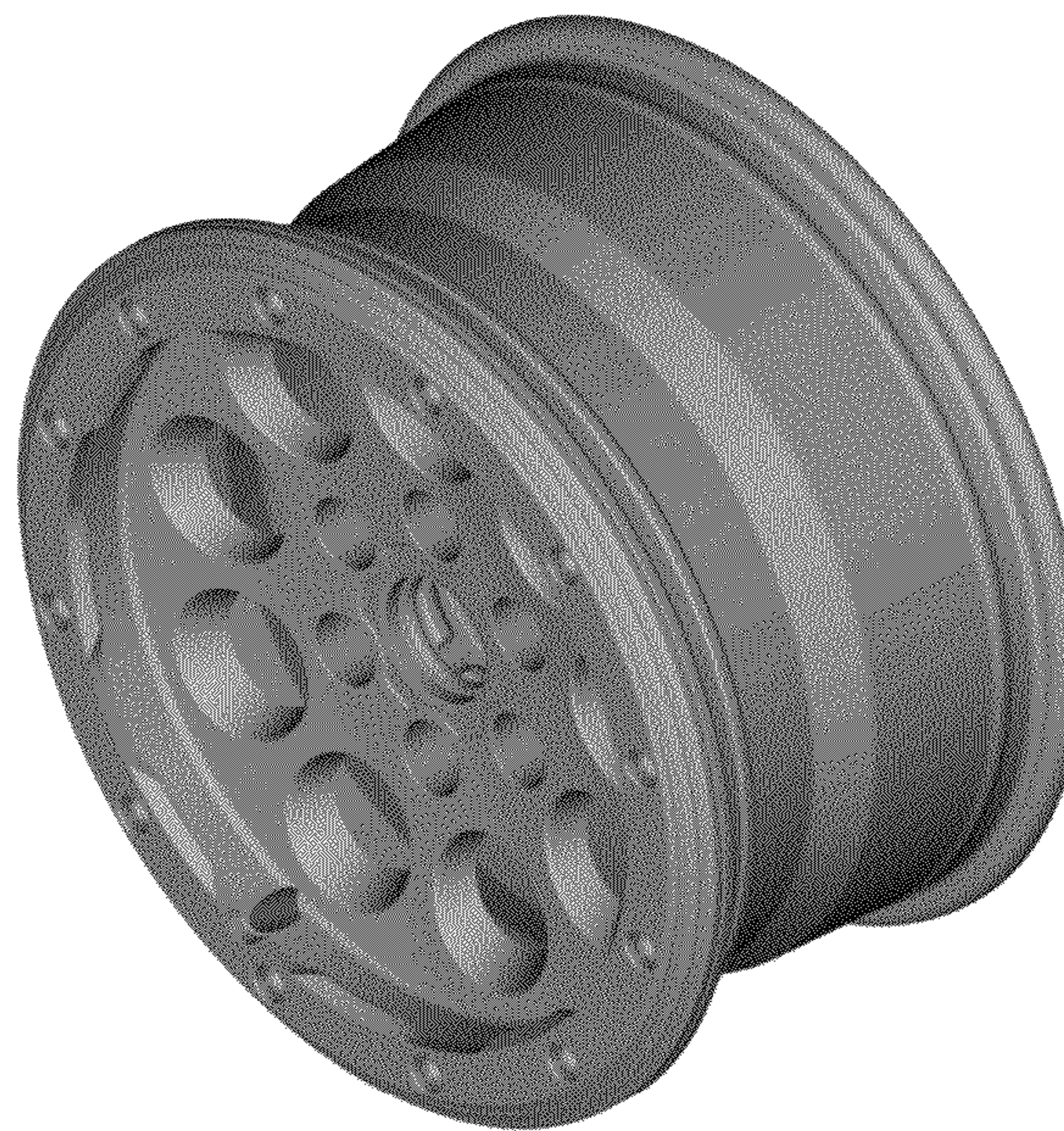
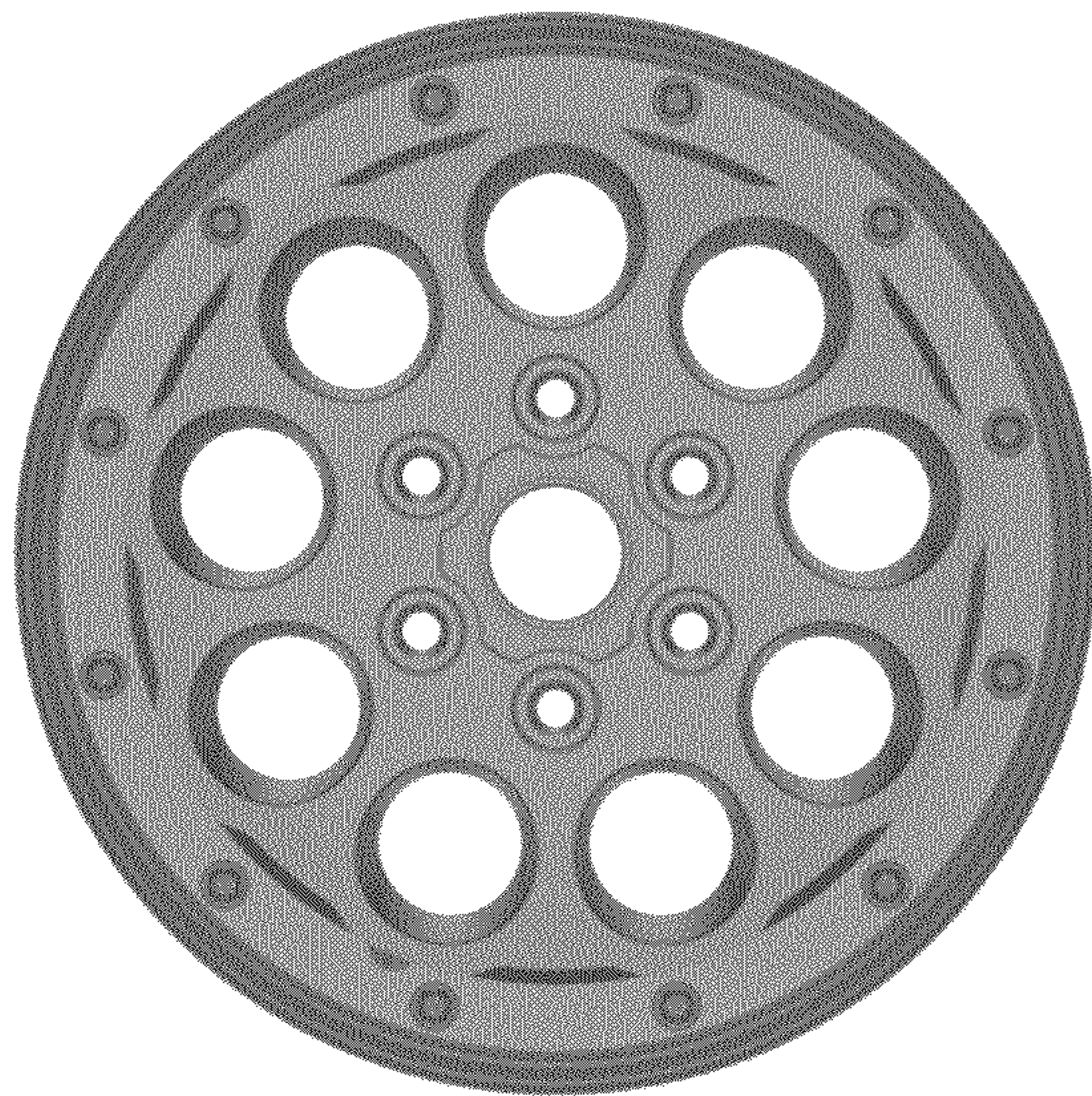
(57) **CLAIM**

The ornamental design for a vehicle wheel, as shown and described.

DESCRIPTION

FIG. 1 is a front view of a vehicle wheel; and, FIG. 2 is a perspective view of the vehicle wheel.

1 Claim, 2 Drawing Sheets



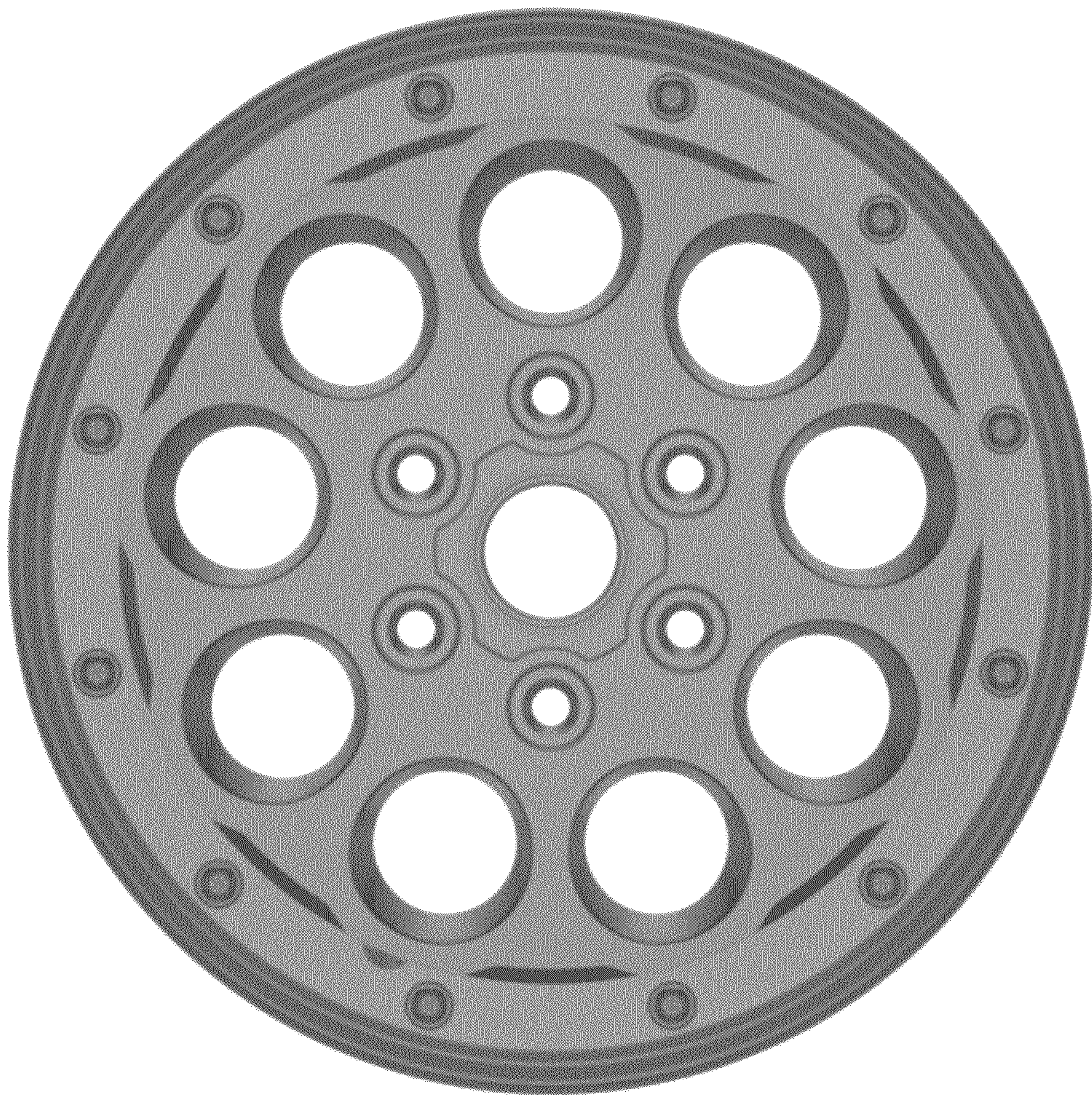


Figure 1



Figure 2