



US00D664908S

(12) **United States Design Patent**  
**Kim**

(10) **Patent No.:** **US D664,908 S**

(45) **Date of Patent:** **\*\* Aug. 7, 2012**

(54) **WHEEL OR WHEEL COVER**

(75) **Inventor:** **Richard Kim**, Los Angeles, CA (US)

(73) **Assignee:** **Bayerische Motoren Werke  
Aktiengesellschaft**, Munich (DE)

(\*\*) **Term:** **14 Years**

(21) **Appl. No.:** **29/410,672**

(22) **Filed:** **Jan. 11, 2012**

(30) **Foreign Application Priority Data**

Jul. 12, 2011 (DE) ..... 402011003605

(51) **LOC (9) Cl.** ..... **12-16**

(52) **U.S. Cl.** ..... **D12/209**

(58) **Field of Classification Search** ..... D12/204-213;  
301/37.101, 64.101, 65, 64.201

See application file for complete search history.

(56) **References Cited**

**U.S. PATENT DOCUMENTS**

D292,569 S *	11/1987	Cafaro et al. ....	D12/209
D325,189 S	4/1992	Kapitza	
D416,531 S	11/1999	Gabath	
D425,470 S *	5/2000	Pfeiffer et al. ....	D12/209
D451,460 S *	12/2001	Arellano	D12/209
D455,701 S *	4/2002	McMath	D12/209
D455,991 S *	4/2002	Kaucher	D12/209
D460,397 S *	7/2002	Bintoro	D12/209
D567,167 S	4/2008	Forster	
D581,337 S *	11/2008	Juergens et al. ....	D12/209
D619,524 S *	7/2010	Gabath	D12/209
D619,951 S *	7/2010	Baum	D12/209

D621,320 S	8/2010	Majdandzic	
D631,812 S *	2/2011	Juergens et al. ....	D12/209
D631,814 S	2/2011	Baum	
D652,361 S *	1/2012	Forschner	D12/209
D654,842 S *	2/2012	Blasi	D12/209

**FOREIGN PATENT DOCUMENTS**

DE	M8908658.9	8/1990
DE	M9805818.5	2/1999
EM	000735758-0006	7/2007
EM	001663626-0008	3/2010
EM	001674441-0009	12/2010
EM	001693599-0006	6/2011

\* cited by examiner

*Primary Examiner* — Stacia Cadmus

(74) *Attorney, Agent, or Firm* — Crowell & Moring LLP

(57) **CLAIM**

The ornamental design for a wheel or wheel cover, as shown and described.

**DESCRIPTION**

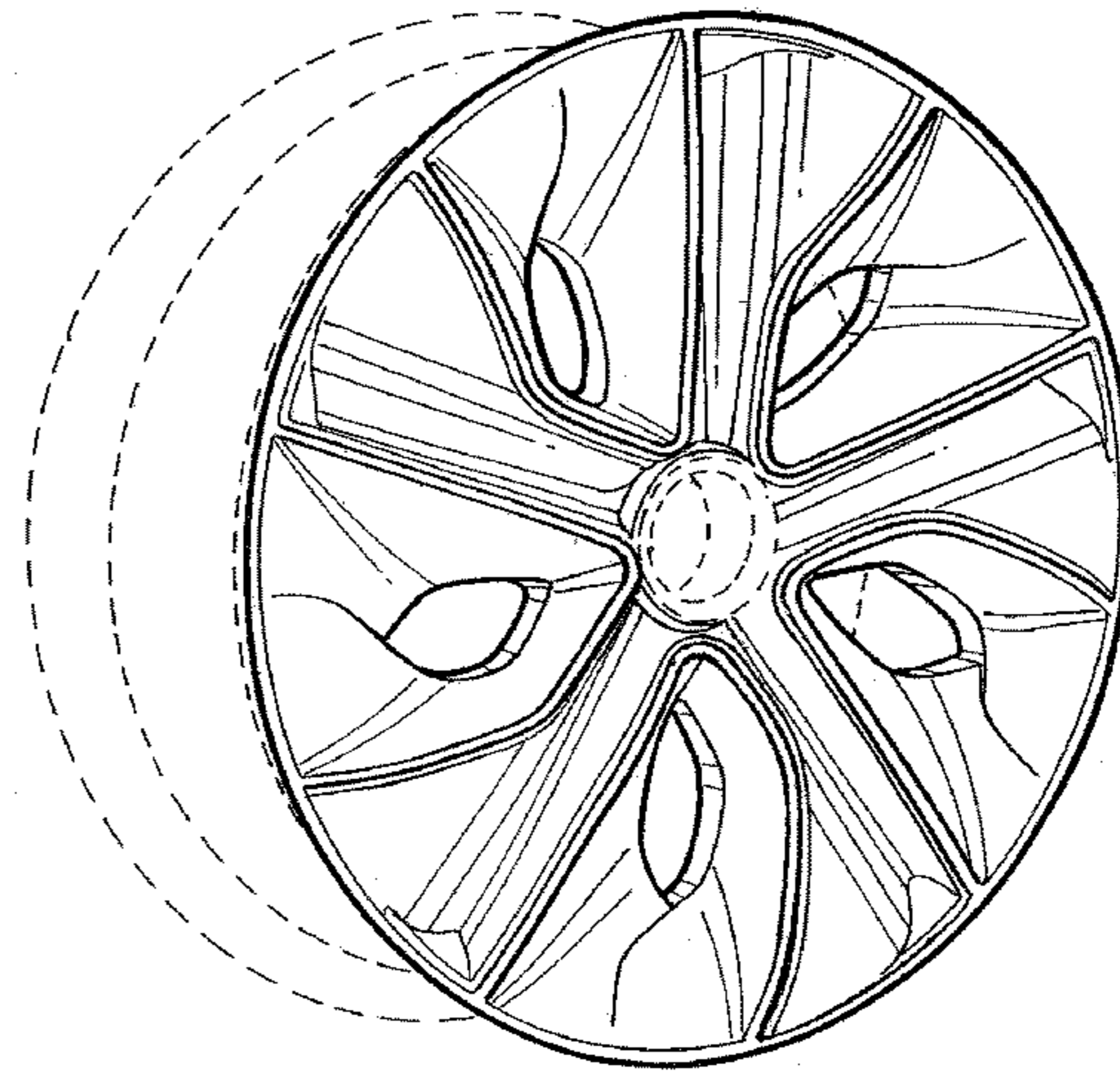
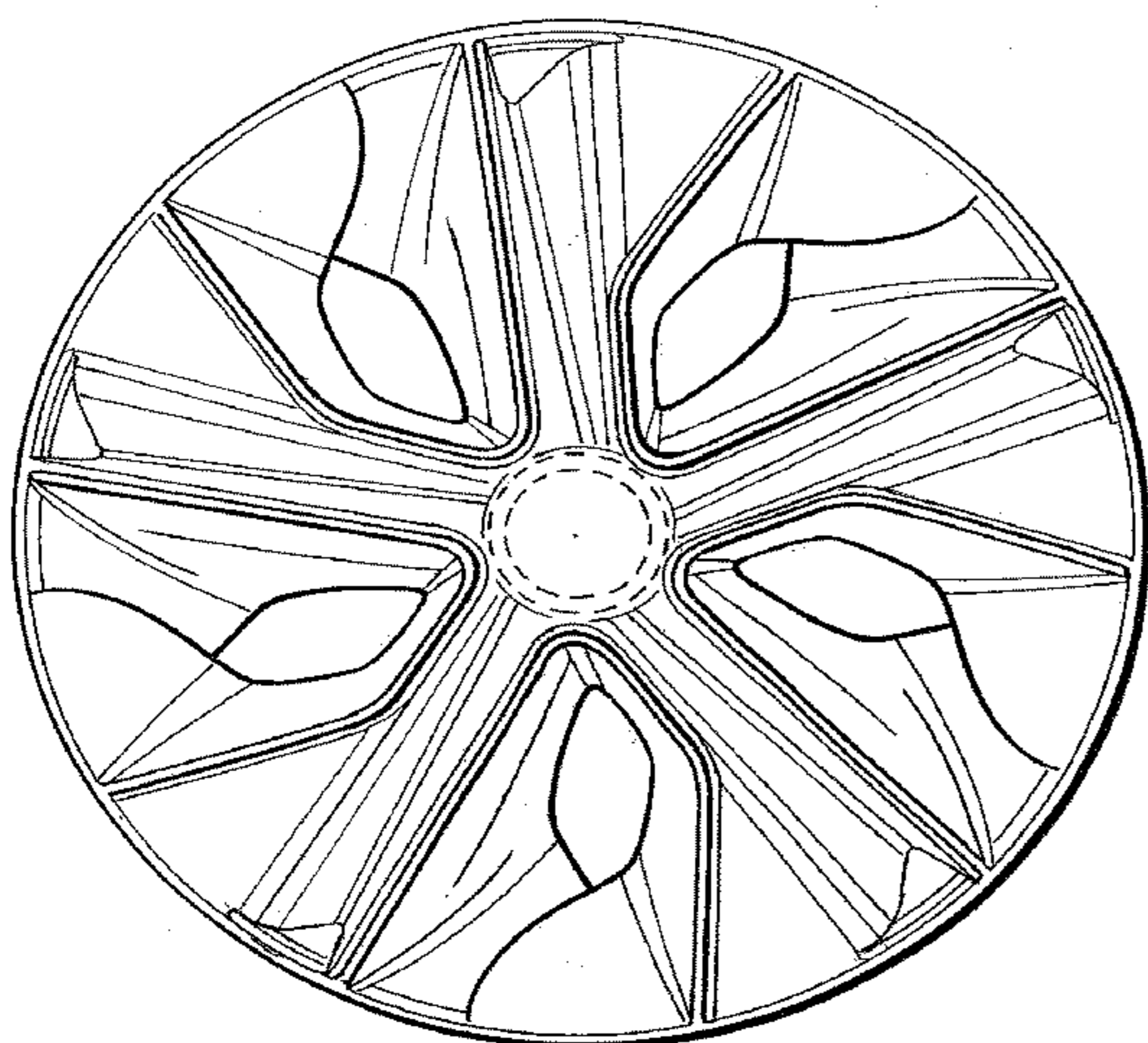
This application contains subject matter related to the following co-pending U.S. design patent application: application Ser. No. 29/410,673, filed herewith and entitled "Wheel or Wheel Cover".

FIG. 1 is a front view of a wheel or wheel cover according to my design; and,

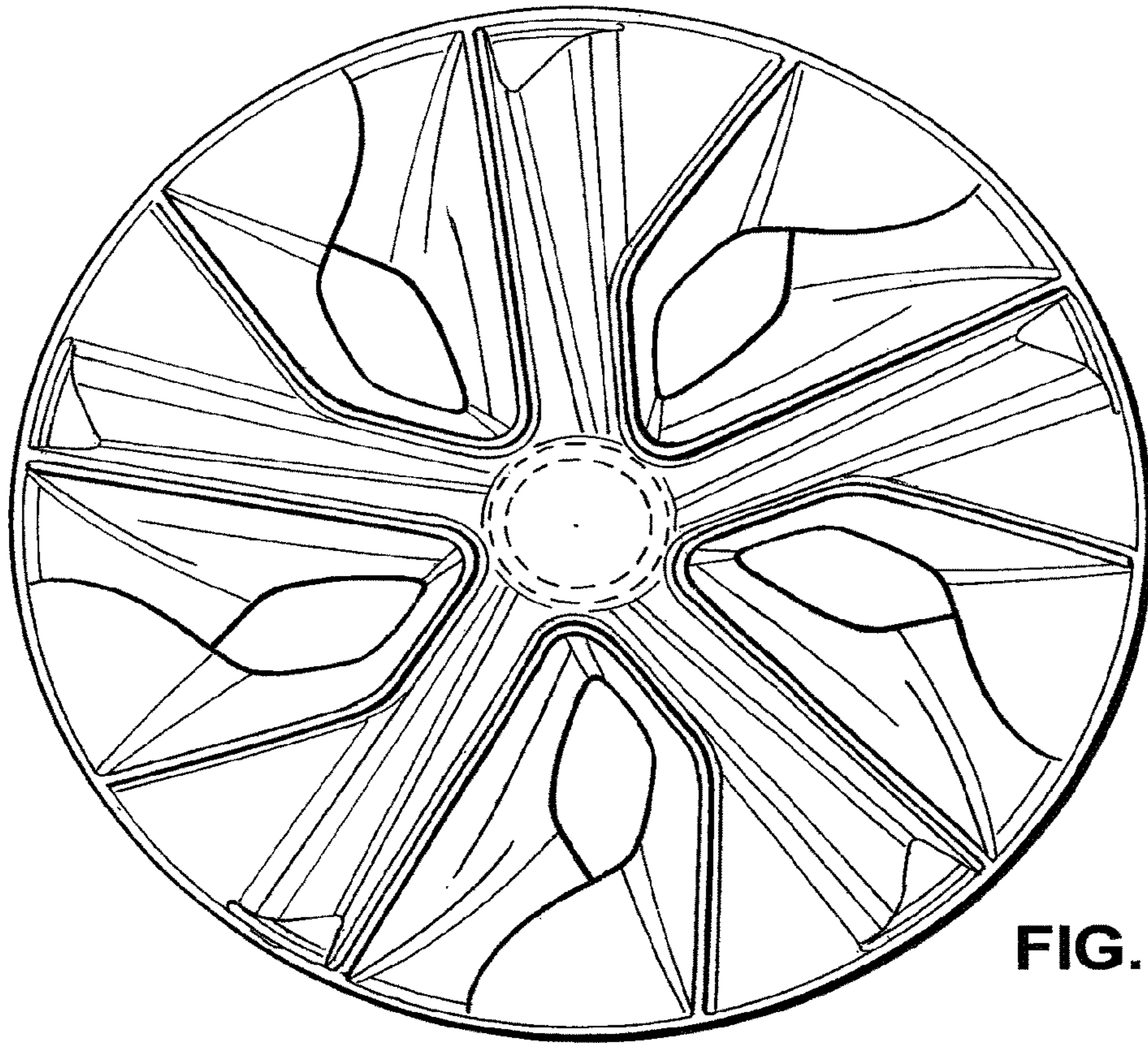
FIG. 2 is a perspective view thereof.

The broken line showing of the rear of the wheel, and the center opening in the central hub area is included for the purpose of illustrating environment and forms no part of the claimed design.

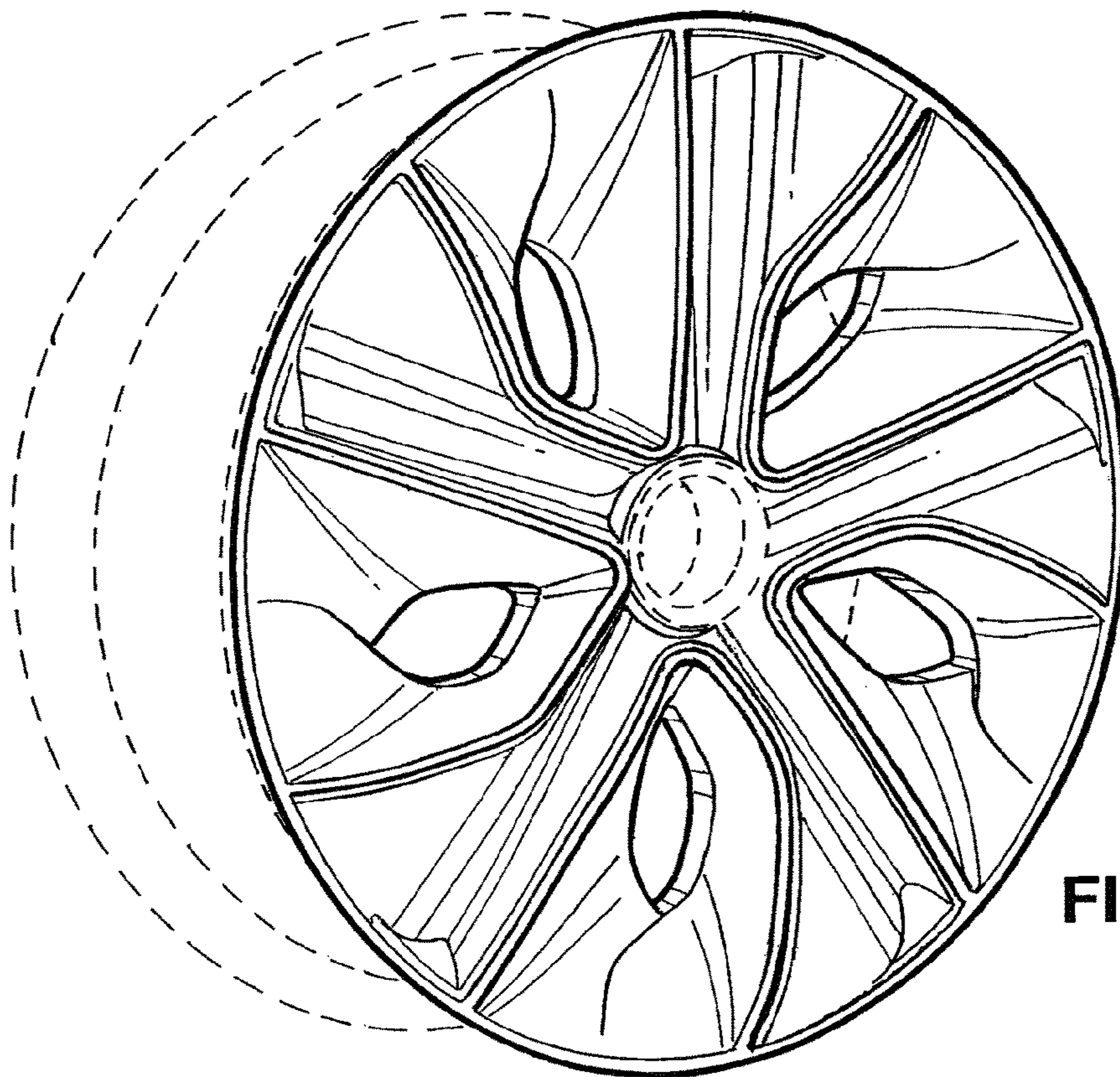
**1 Claim, 1 Drawing Sheet**







**FIG. 1**



**FIG. 2**