



US00D664899S

(12) **United States Design Patent**  
**Platto et al.**

(10) **Patent No.:** **US D664,899 S**  
(45) **Date of Patent:** **\*\* Aug. 7, 2012**

(54) **VEHICLE UPPER GRILLE**

(75) Inventors: **Gordon M Platto**, Troy, MI (US); **Earl Clyde Lucas**, Brentwood (GB); **Dean Carbis**, Cologne (DE)

(73) Assignee: **Ford Motor Company**, Dearborn, MI (US)

(\*\*) Term: **14 Years**

(21) Appl. No.: **29/393,573**

(22) Filed: **Jun. 7, 2011**

(51) **LOC (9) Cl.** ..... **12-16**

(52) **U.S. Cl.** ..... **D12/163**

(58) **Field of Classification Search** ..... D12/163,  
D12/196, 171, 169, 216, 90-92, 86; 180/68.1,  
180/68.6; 296/193.11

See application file for complete search history.

(56) **References Cited**

**U.S. PATENT DOCUMENTS**

D533,484 S \* 12/2006 Behmer et al. .... D12/163  
D535,223 S \* 1/2007 Gaffka et al. .... D12/163  
D560,572 S \* 1/2008 Okamoto et al. .... D12/163

D562,196 S \* 2/2008 Saito ..... D12/163  
D603,305 S \* 11/2009 Woolley et al. .... D12/163  
D609,140 S \* 2/2010 Iwasaki ..... D12/163

**OTHER PUBLICATIONS**

Ford Taurus, New York International Auto Show, Apr. 25, 2011.

\* cited by examiner

*Primary Examiner* — Melody N Brown

(74) *Attorney, Agent, or Firm* — Damian Porcari

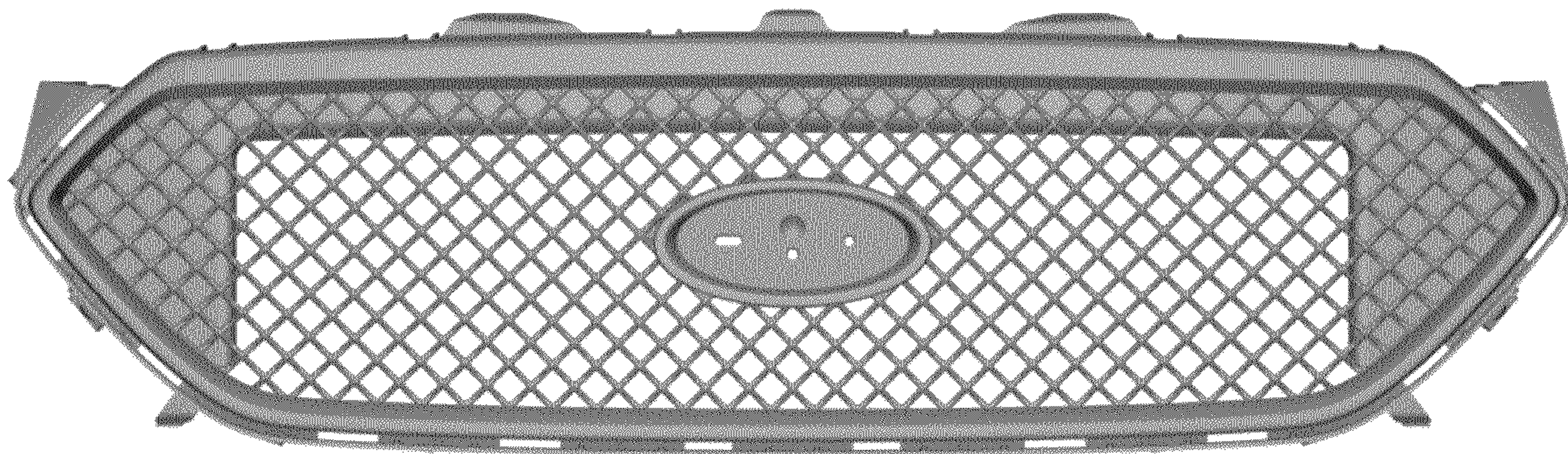
(57) **CLAIM**

The ornamental design for a vehicle upper grille, as shown and described.

**DESCRIPTION**

FIG. 1 is a top plan view of a vehicle upper grille;  
FIG. 2 is a bottom plan view of the vehicle upper grille;  
FIG. 3 is a front elevational view of the vehicle upper grille;  
FIG. 4 is a left side elevational view of the vehicle upper grille;  
FIG. 5 is a right side elevational view of the vehicle upper grille; and,  
FIG. 6 is a perspective view of the vehicle upper grille.

**1 Claim, 6 Drawing Sheets**



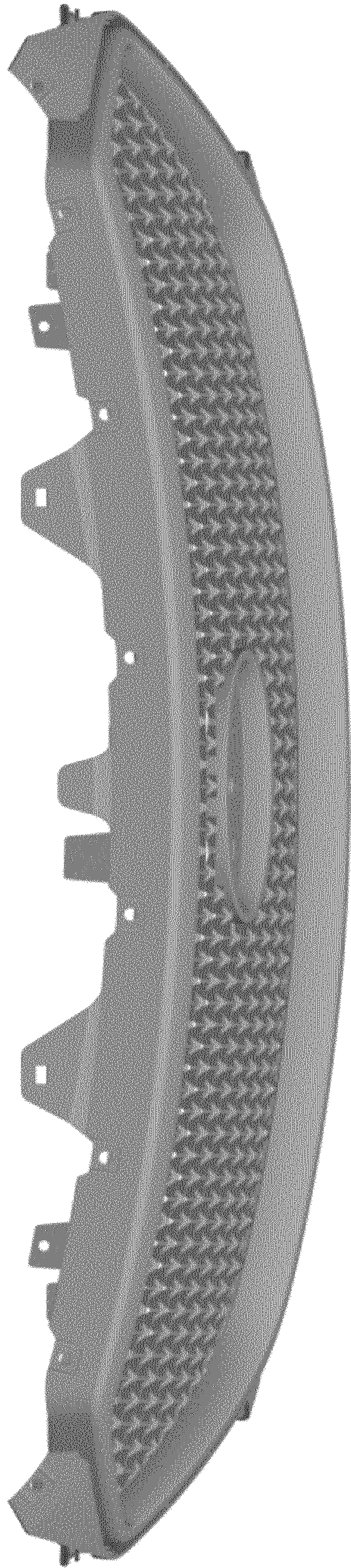


Figure 1

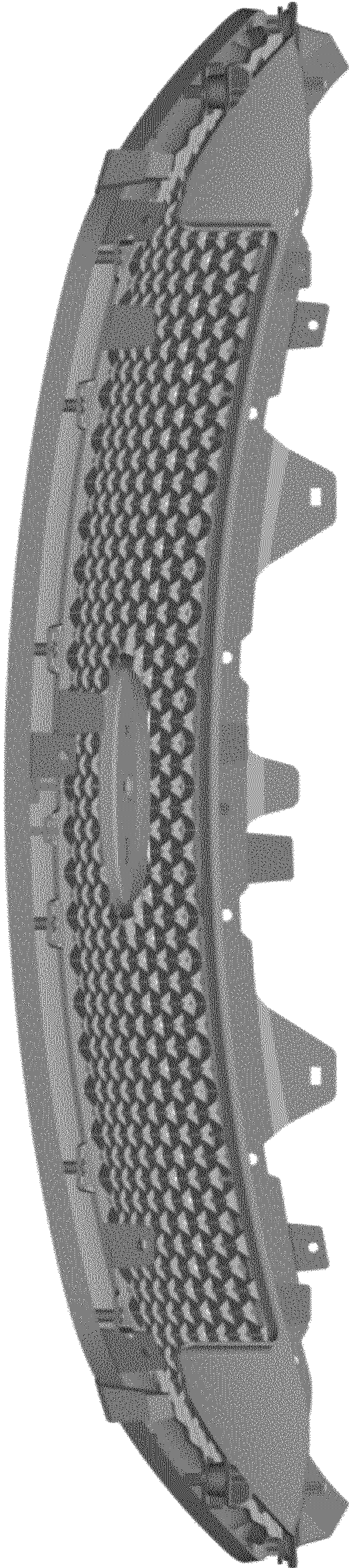


Figure 2

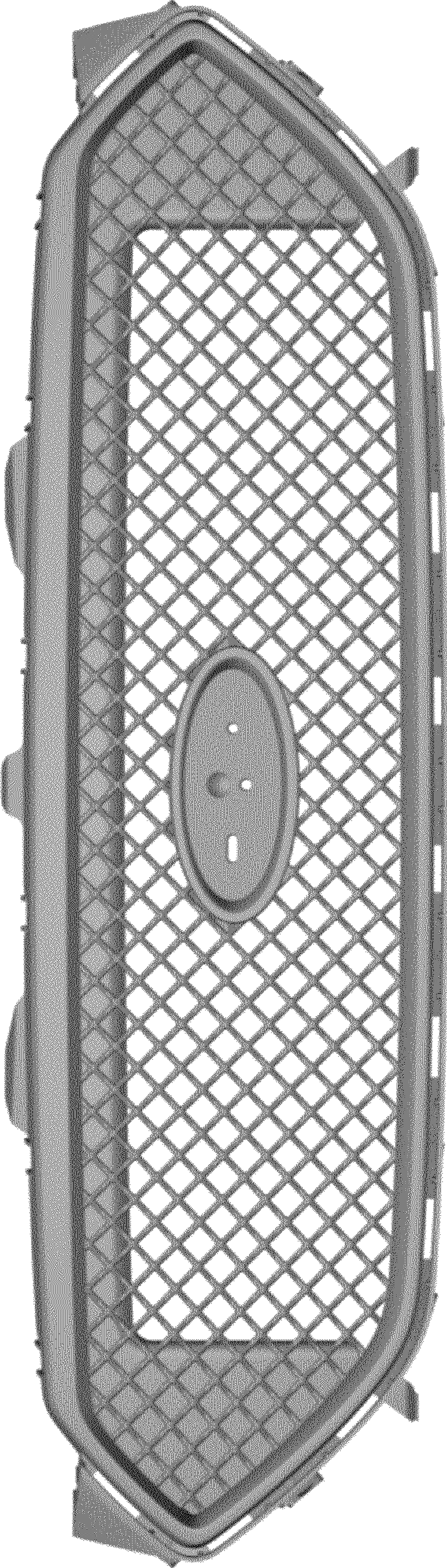


Figure 3

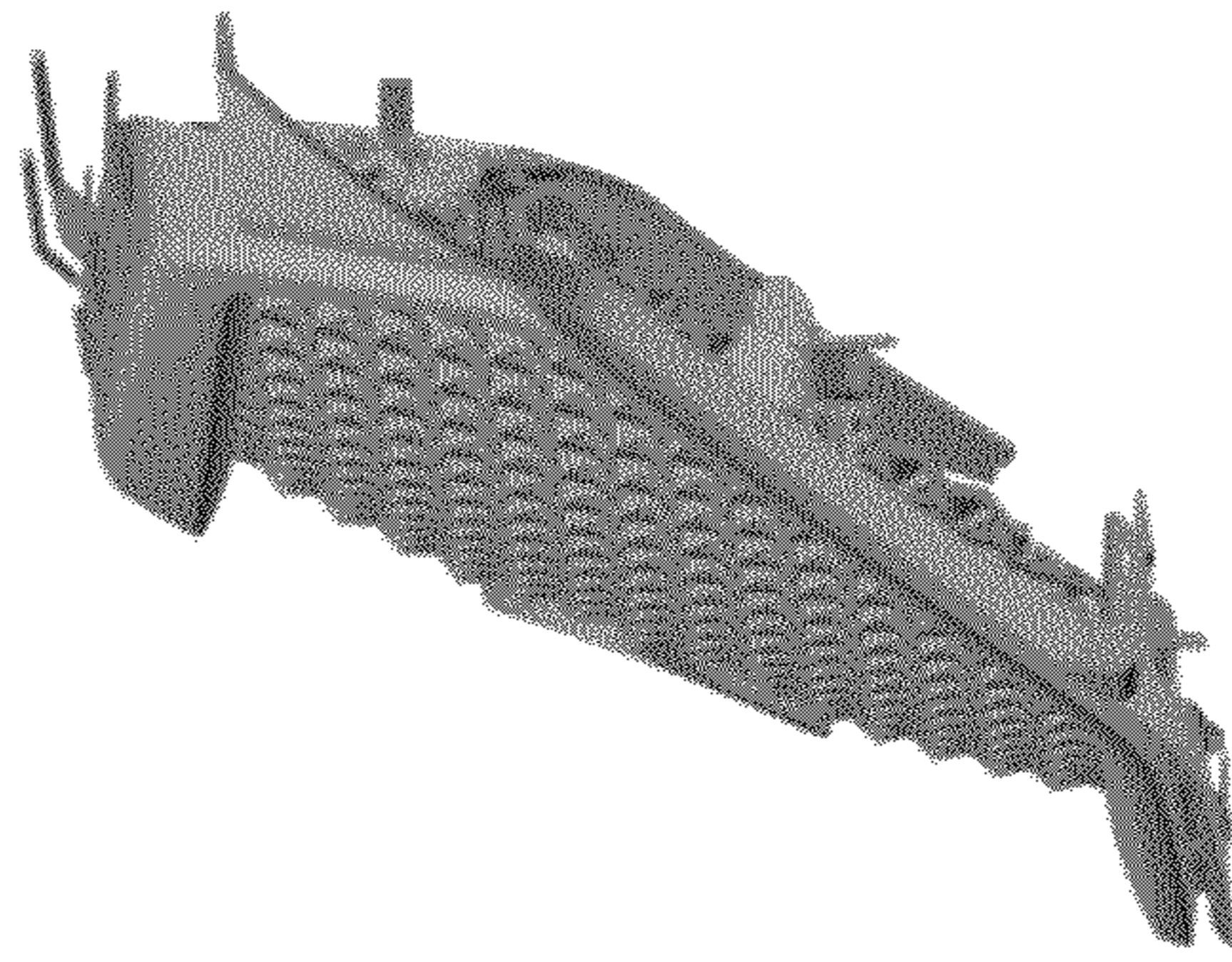


Figure 4

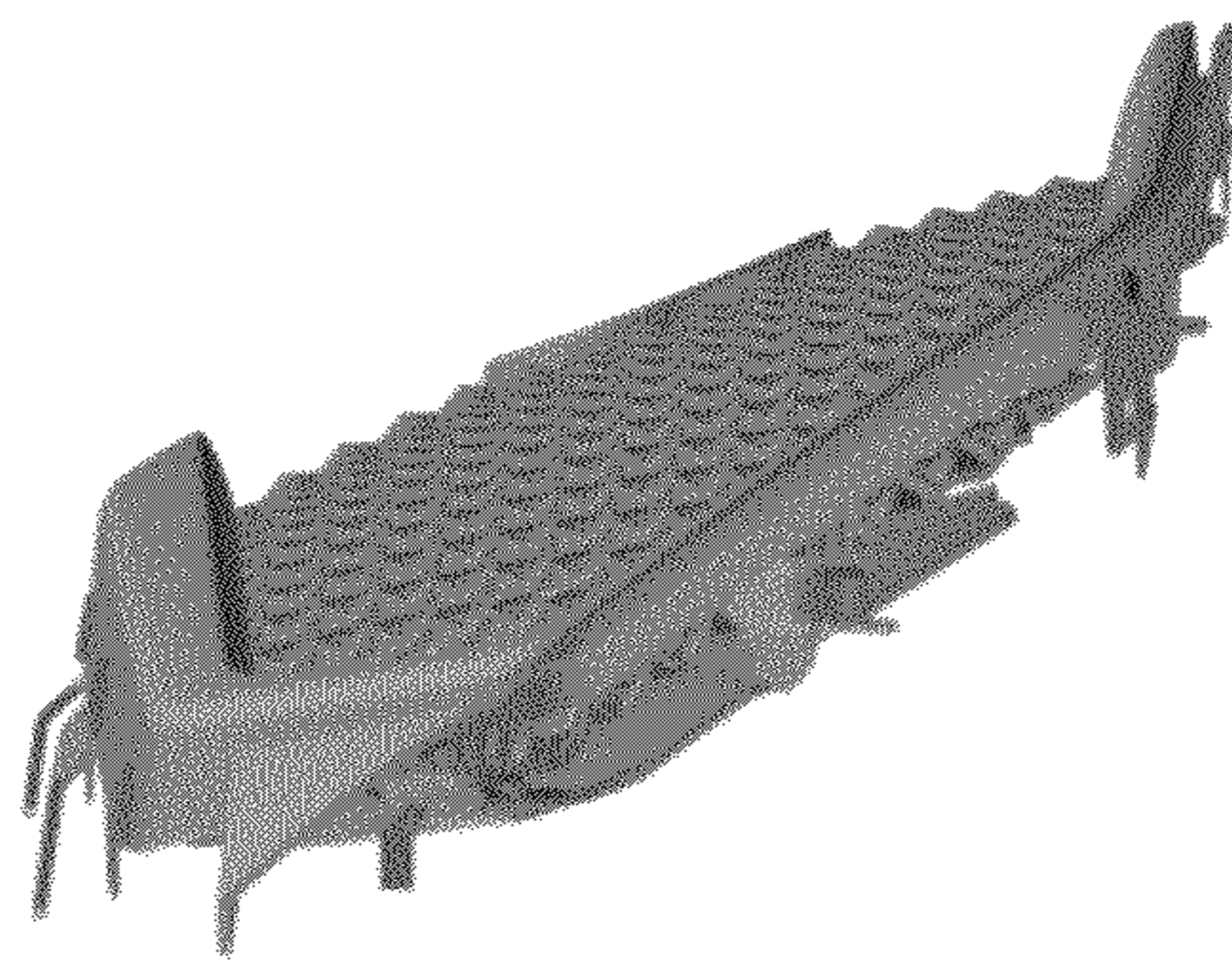


Figure 5

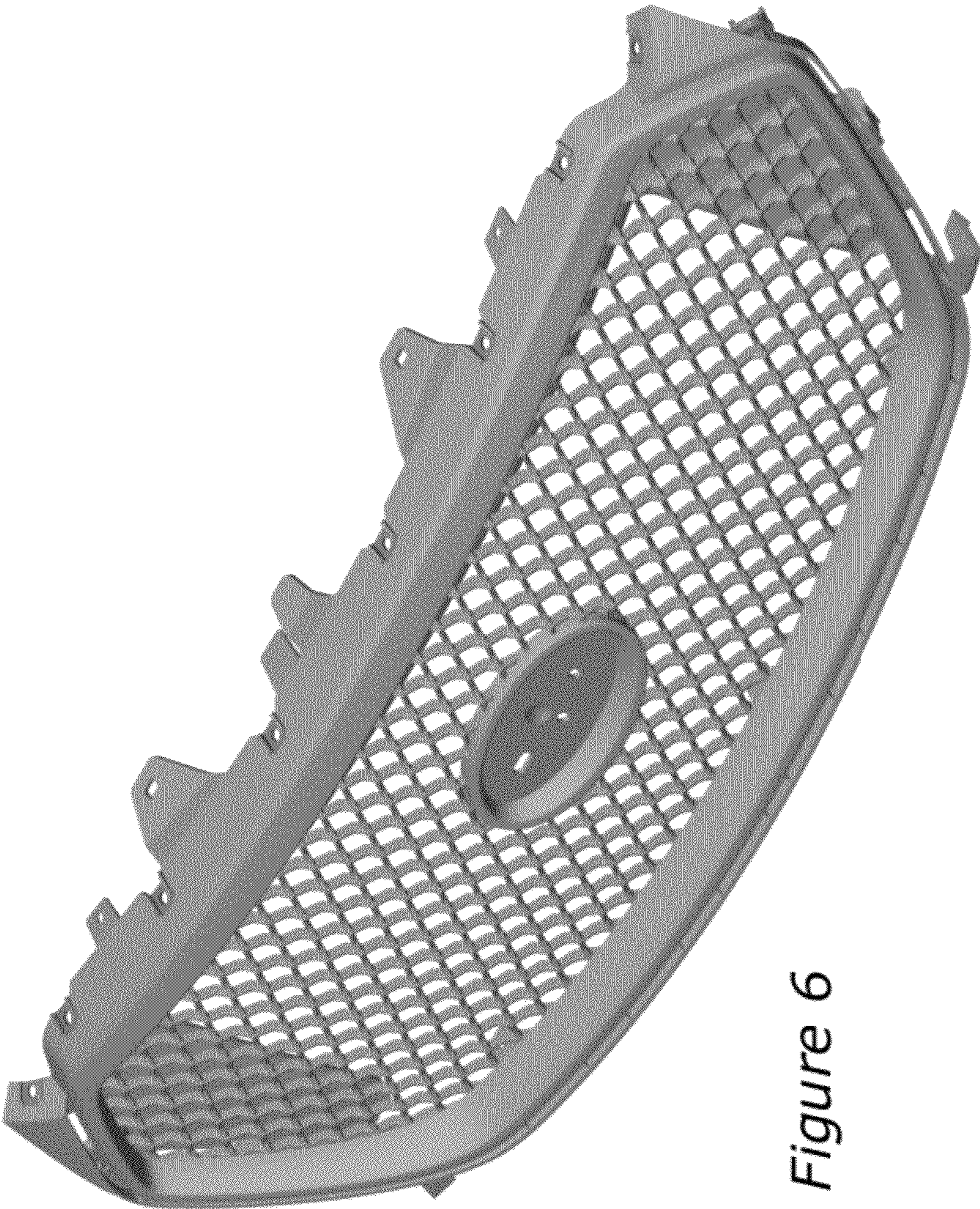


Figure 6