

US00D664897S

(12) **United States Design Patent**
Ramaciotti

(10) **Patent No.:** **US D664,897 S**

(45) **Date of Patent:** **** Aug. 7, 2012**

(54) **CAR INCLUDING TOY-CAR, MOTOR-CAR,
REPLICA-CAR AND SCALE-MODEL-CAR**

(75) **Inventor:** **Lorenzo Ramaciotti, Turin (IT)**

(73) **Assignee:** **Fiat Group Automobiles S.p.A., Turin
(IT)**

(**) **Term:** **14 Years**

(21) **Appl. No.:** **29/397,531**

(22) **Filed:** **Jul. 18, 2011**

(30) **Foreign Application Priority Data**

Jan. 18, 2011 (WO) DM/075 323

Jan. 18, 2011 (WO) DM/075 324

(51) **LOC (9) Cl.** **12-08**

(52) **U.S. Cl.** **D12/91**

(58) **Field of Classification Search** D12/86,
D12/90-92; D21/424, 433, 434; 296/181.1,
296/181.5

See application file for complete search history.

(56) **References Cited**

U.S. PATENT DOCUMENTS

D620,842 S *	8/2010	Ramaciotti	D12/92
D630,553 S *	1/2011	Muller	D12/91
D636,705 S *	4/2011	Ward	D12/91
D637,109 S *	5/2011	Muller	D12/91
D641,290 S *	7/2011	Mueller	D12/91
D647,004 S *	10/2011	Nemoto	D12/91
D657,716 S *	4/2012	Cartabiano et al.	D12/91

* cited by examiner

Primary Examiner — Melody N Brown

(74) *Attorney, Agent, or Firm* — Cowan, Liebowitz & Latman, P.C.

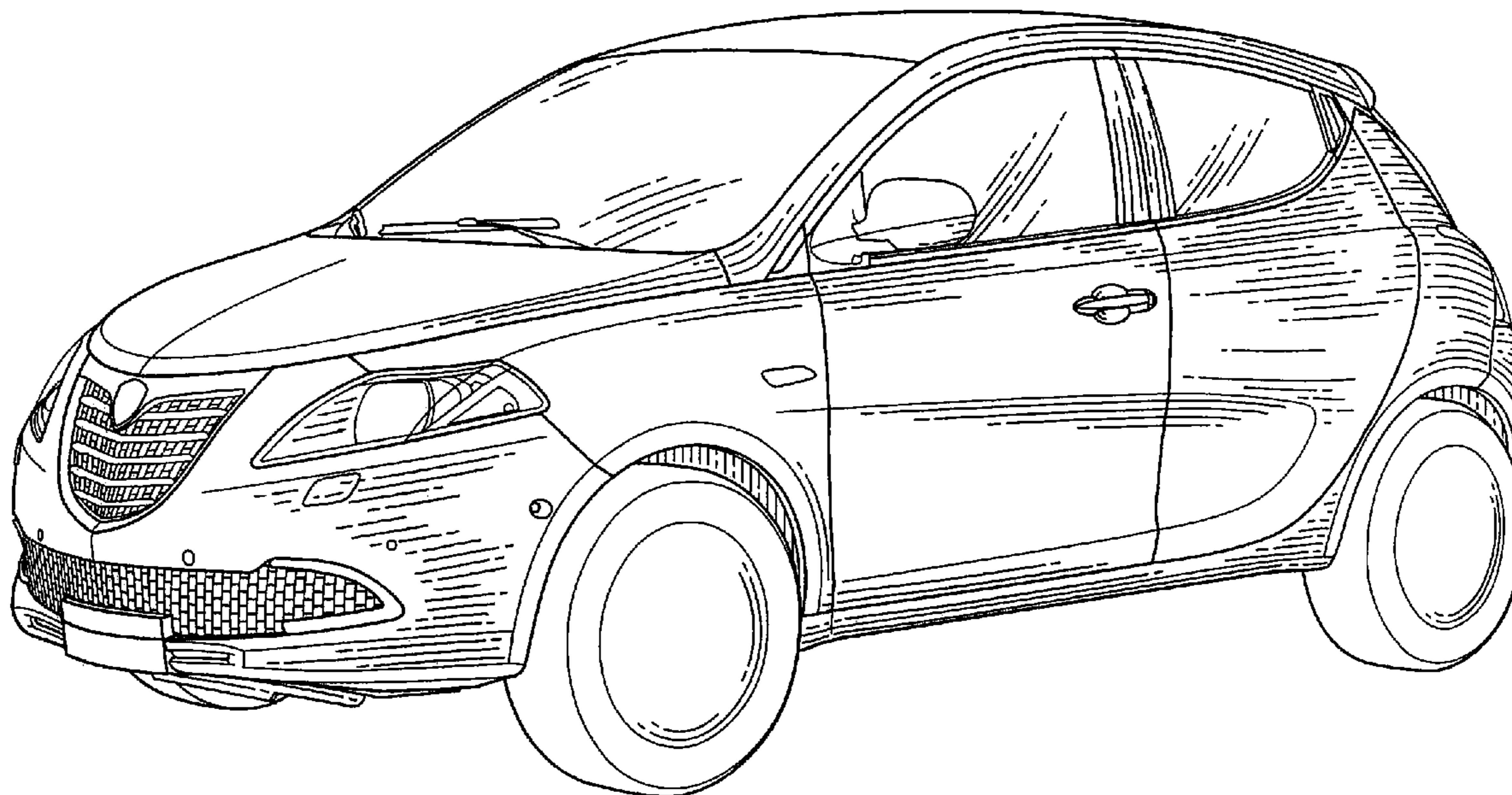
(57) **CLAIM**

The ornamental design for a car including toy-car, motor car, replica car and scale-model-car, as shown and described.

DESCRIPTION

FIG. 1 is a front view of the car including toy-car, motor car, replica car and scale-model-car showing my design thereof; FIG. 2 is a rear view thereof; FIG. 3 is a right side view thereof; FIG. 4 is a left side view thereof; FIG. 5 is a top view thereof; and, FIG. 6 is a perspective view thereof.

1 Claim, 6 Drawing Sheets



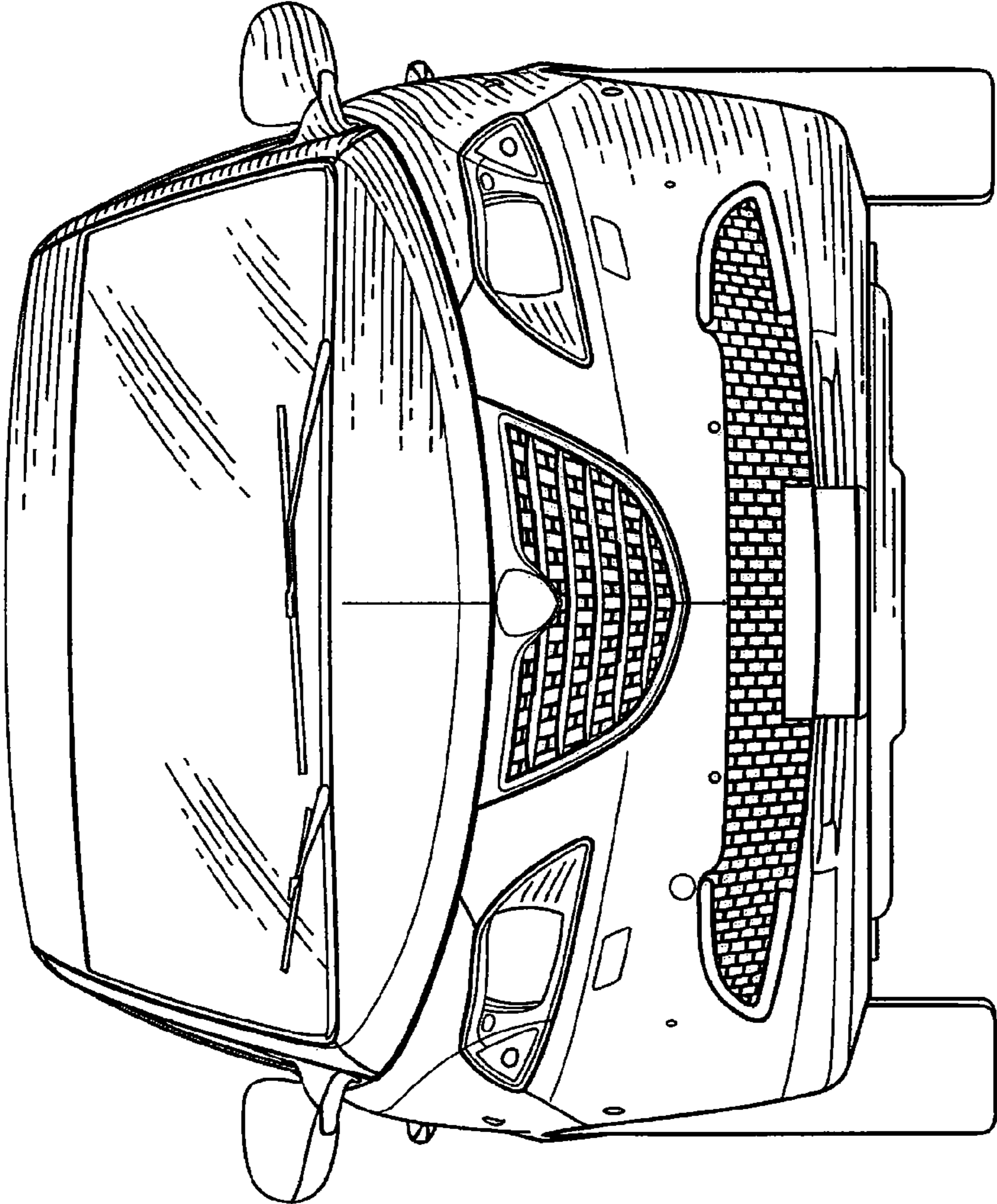


FIG. 1

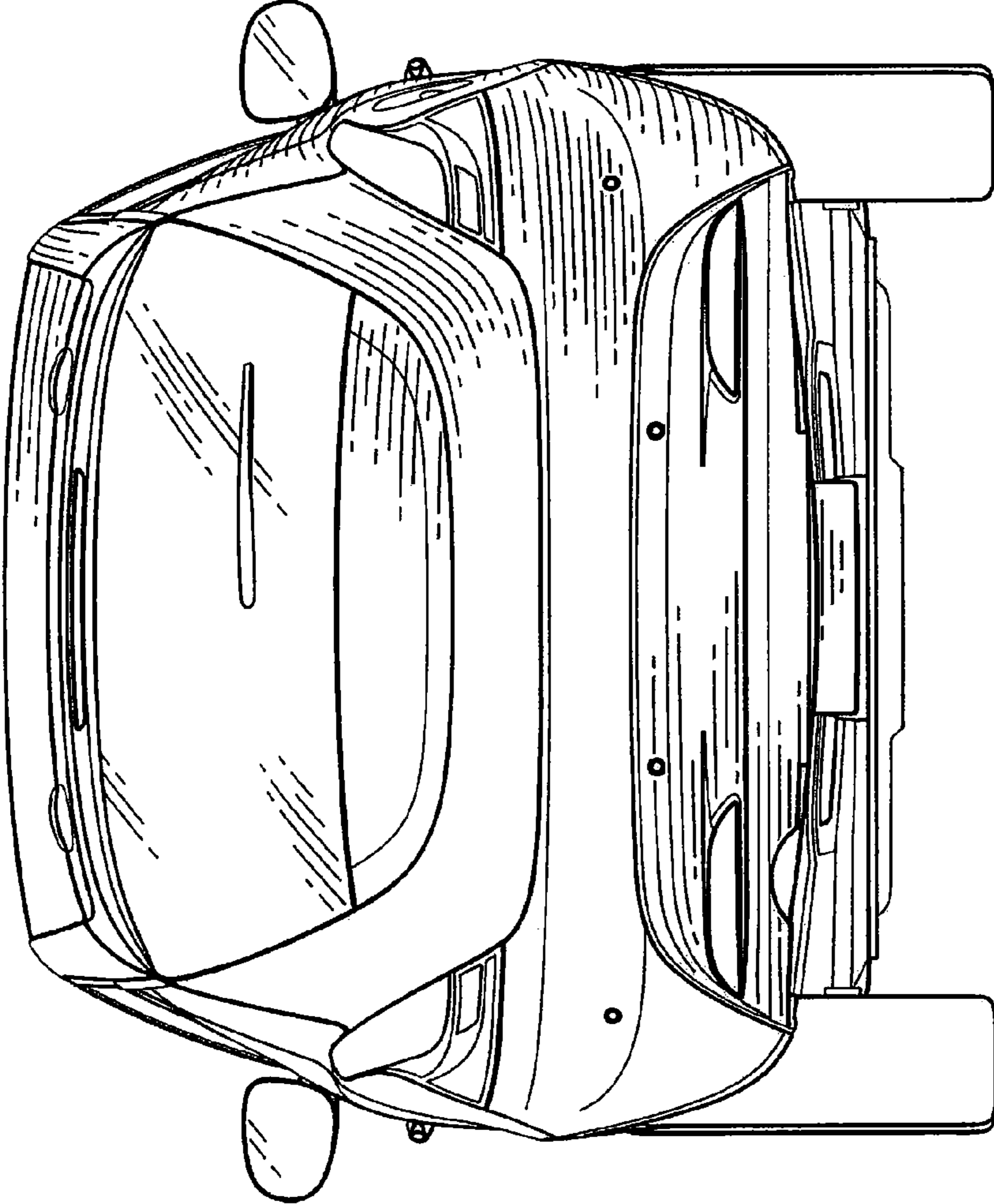


FIG. 2

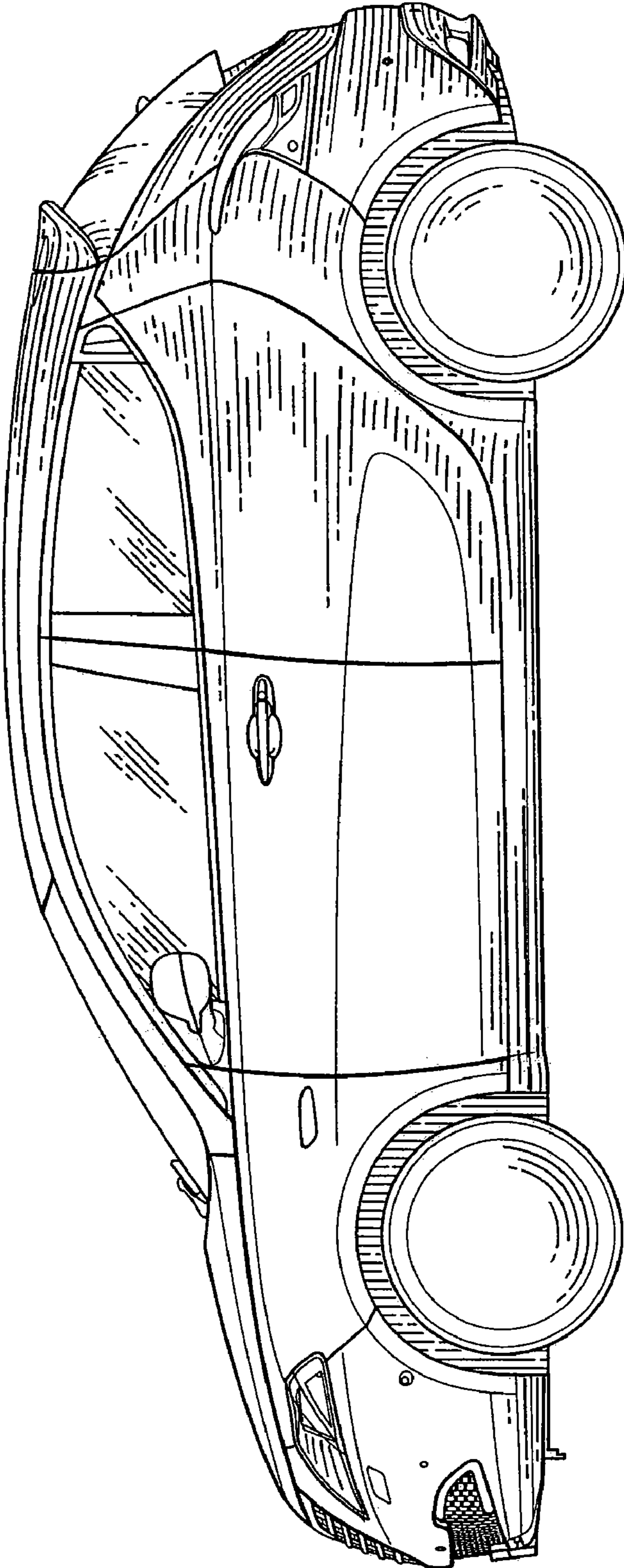


FIG. 3

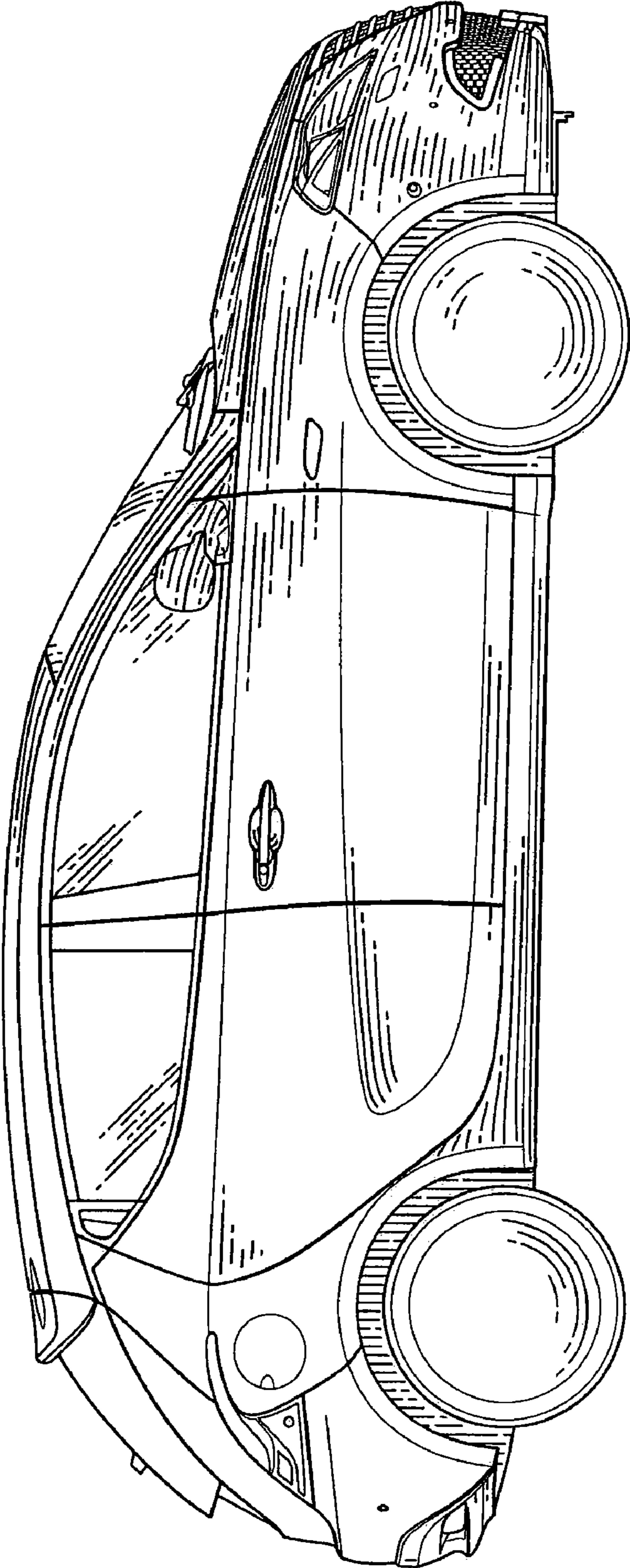


FIG. 4

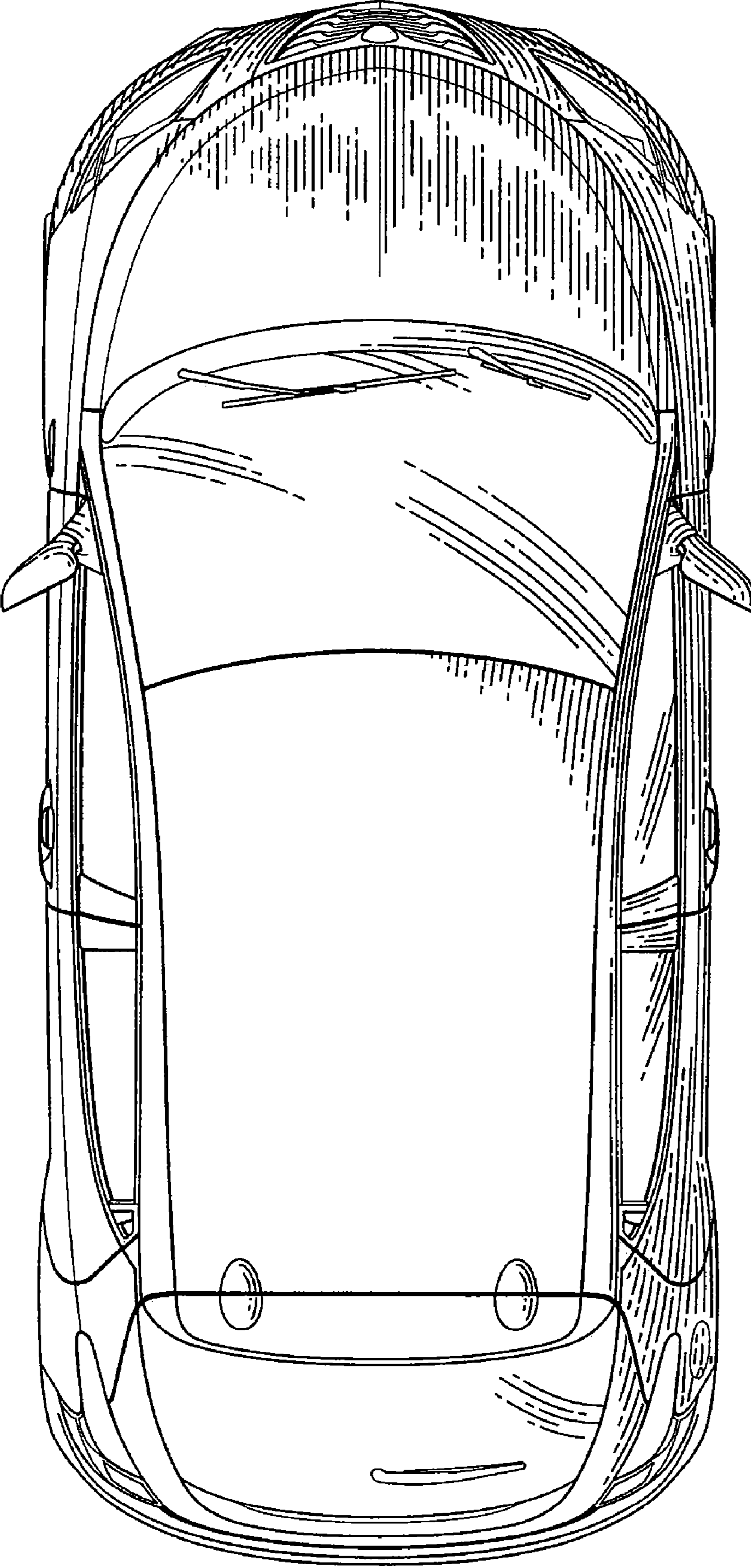


FIG. 5

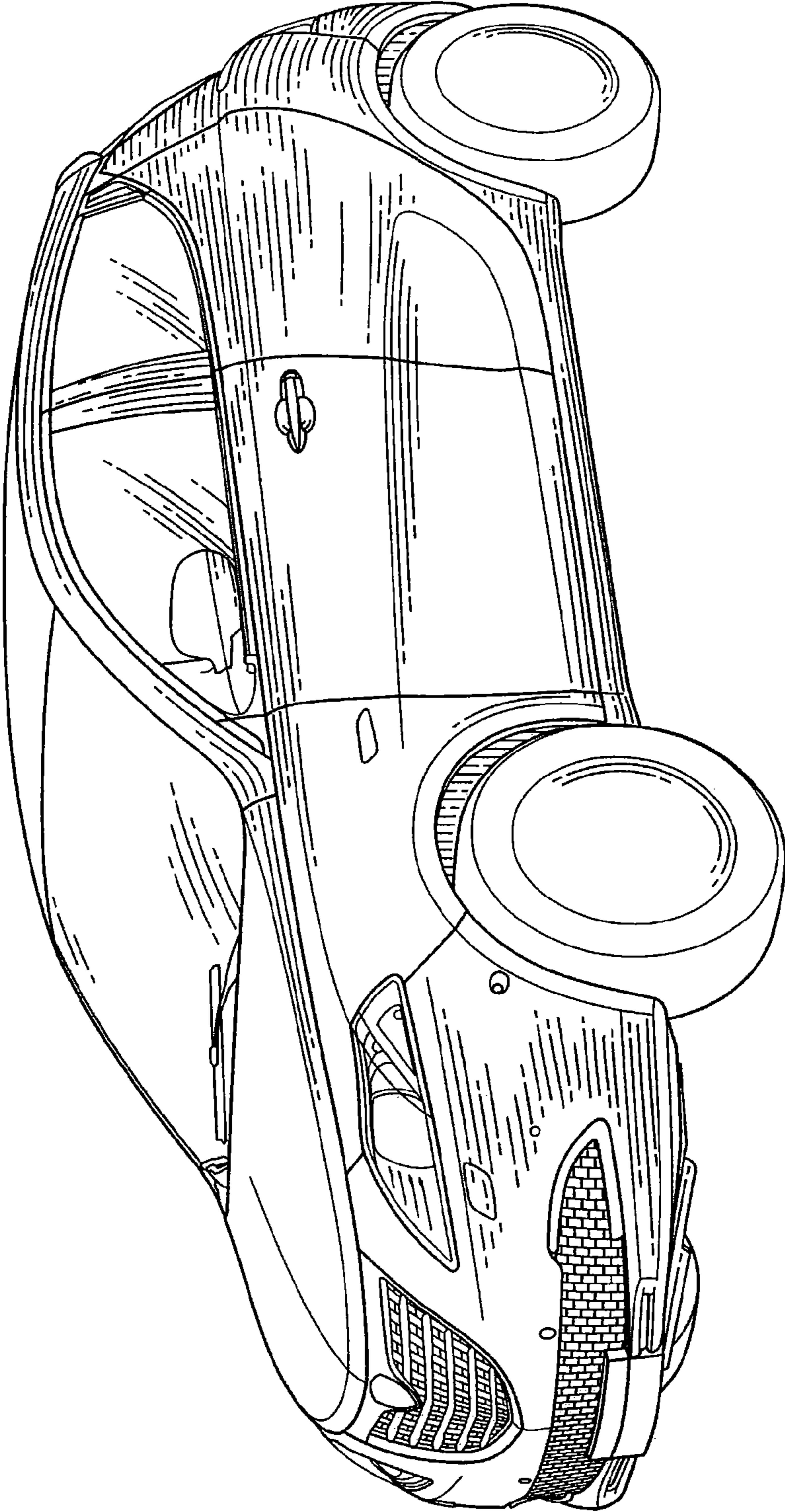


FIG. 6