



US00D664896S

(12) **United States Design Patent**
Szews et al.

(10) **Patent No.:** **US D664,896 S**
(45) **Date of Patent:** **** Aug. 7, 2012**

(54) **VEHICLE, TOY, AND/OR REPLICAS
THEREOF**

D626,455 S * 11/2010 Syring D12/92
D633,571 S * 3/2011 Schneider D12/91
D647,820 S * 11/2011 Jang D12/91

(75) Inventors: **Krzysztof Szews**, Munich (DE);
Henning Holstein, Dietersburg (DE);
Marcus Syring, Munich (DE)

FOREIGN PATENT DOCUMENTS

EM 001104913-0001 4/2009
* cited by examiner

(73) Assignee: **Bayerische Motoren Werke
Aktiengesellschaft**, Munich (DE)

Primary Examiner — Melody N Brown
(74) *Attorney, Agent, or Firm* — Crowell & Moring LLP

(**) Term: **14 Years**

(57) **CLAIM**
The ornamental design for a vehicle, toy, and/or replicas thereof, as shown and described.

(21) Appl. No.: **29/393,861**

DESCRIPTION

(22) Filed: **Jun. 10, 2011**

(30) **Foreign Application Priority Data**

Dec. 13, 2010 (DE) 40 2010 006 698

This application contains subject matter related to the following co-pending U.S. design patent application:

(51) **LOC (9) Cl.** **12-08**

Application Ser. No. 29/393,864, filed herewith and entitled "Taillight for a Vehicle".

(52) **U.S. Cl.** **D12/91**

(58) **Field of Classification Search** D12/86,
D12/90-92, 88; D21/424, 433, 434; 296/181.1,
296/181.5

FIG. 1 is a left, front perspective view of a vehicle, toy, and/or replicas thereof according to our design, the right, front perspective view being mirror symmetrical;
FIG. 2 is a left, rear perspective view thereof, the right, rear perspective view being mirror symmetrical;
FIG. 3 is a left side view thereof;
FIG. 4 is a right side view thereof;
FIG. 5 is a front view thereof;
FIG. 6 is a rear view thereof; and,
FIG. 7 is a top view thereof.

See application file for complete search history.

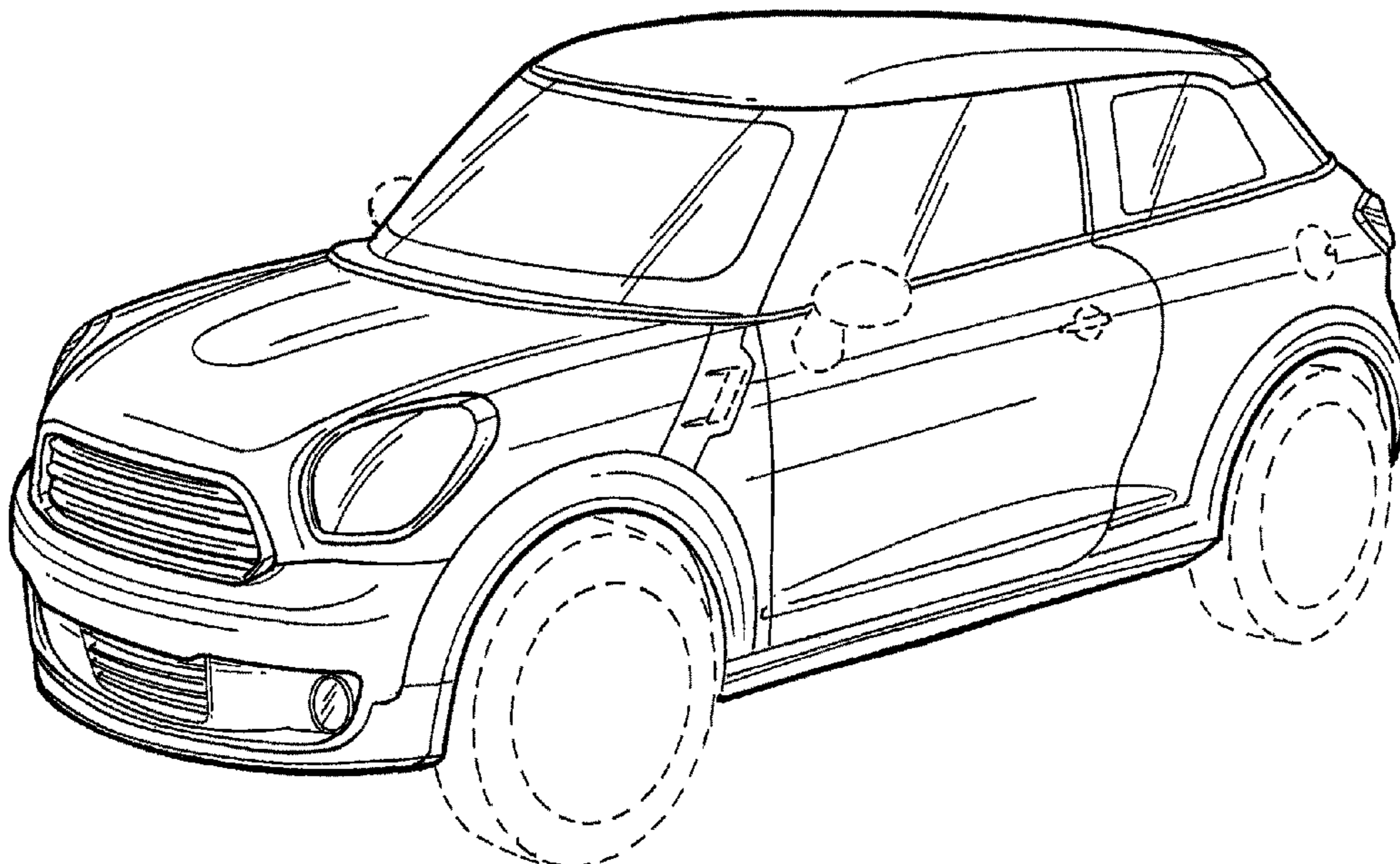
The broken lines are for illustrative purposes only and form no part of the claimed design.

(56) **References Cited**

U.S. PATENT DOCUMENTS

D540,714 S * 4/2007 Mueller-Stolz D12/91
D575,677 S * 8/2008 Hildebrand et al. D12/91
D605,084 S 12/2009 Szavits

1 Claim, 6 Drawing Sheets



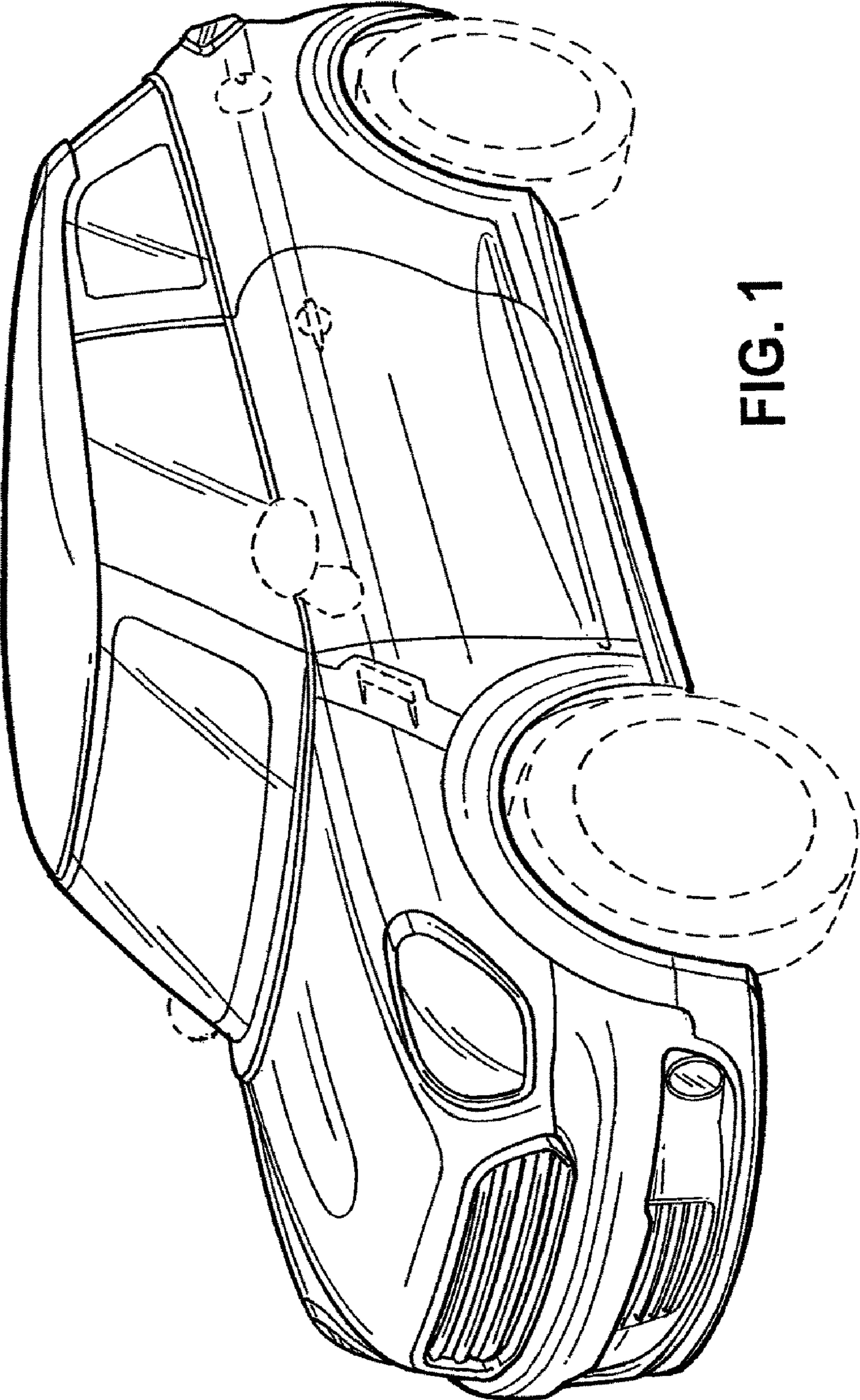


FIG. 1

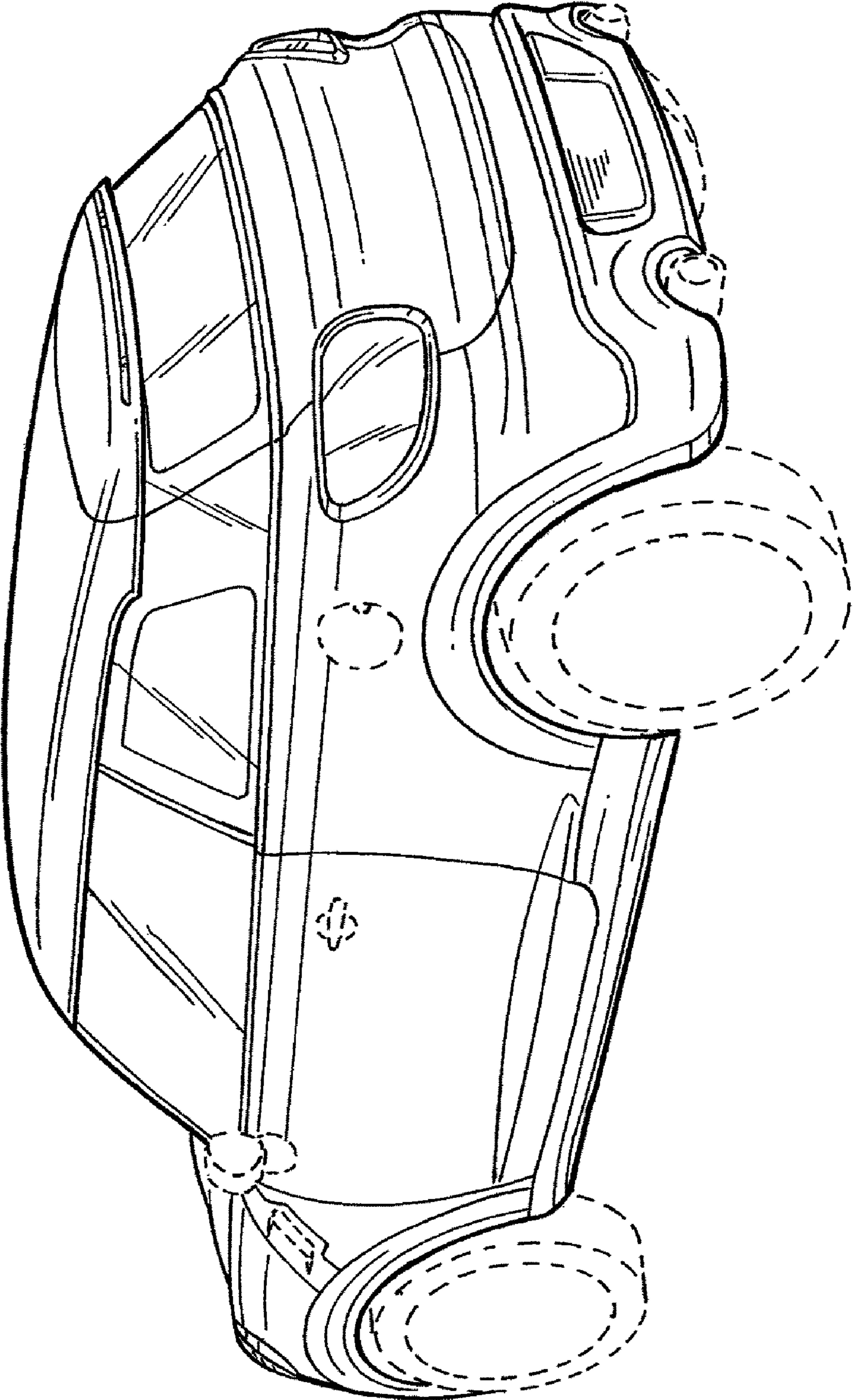


FIG. 2

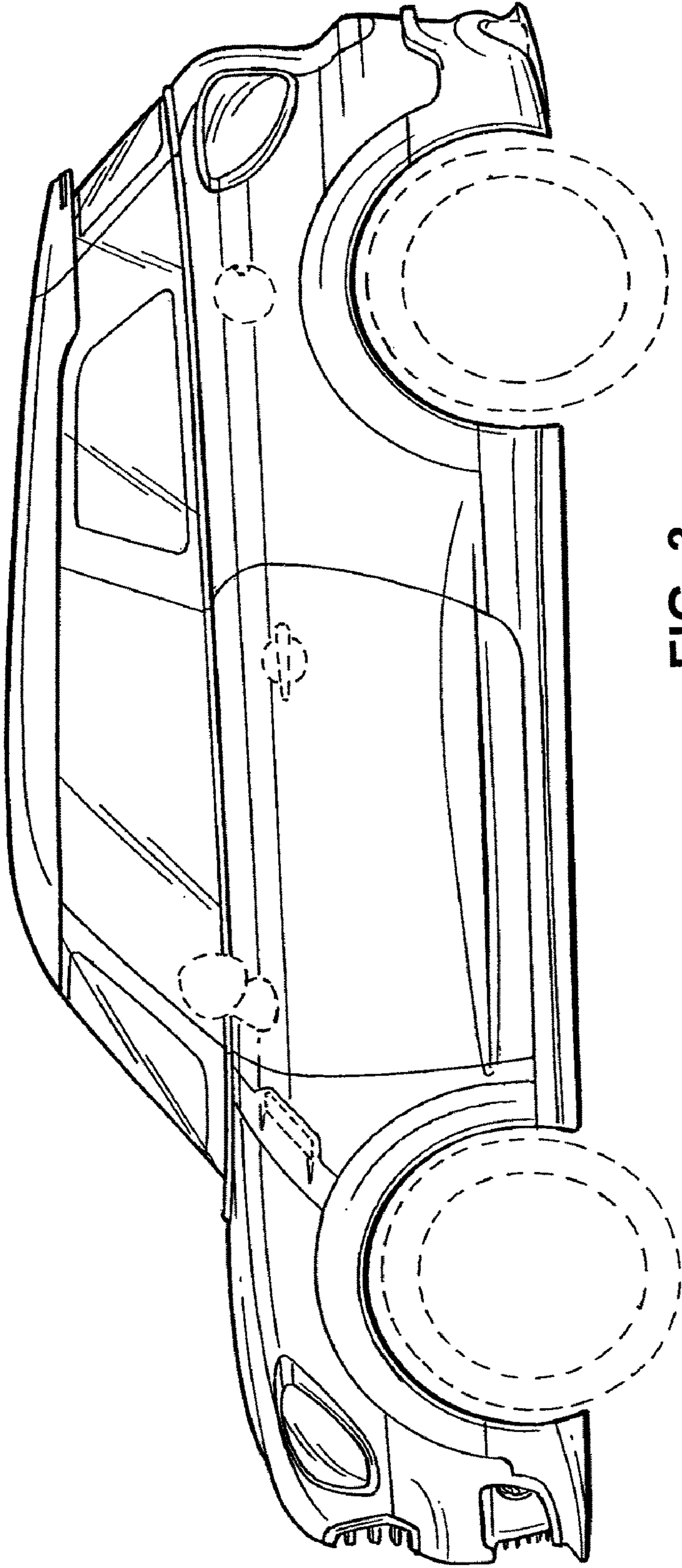


FIG. 3

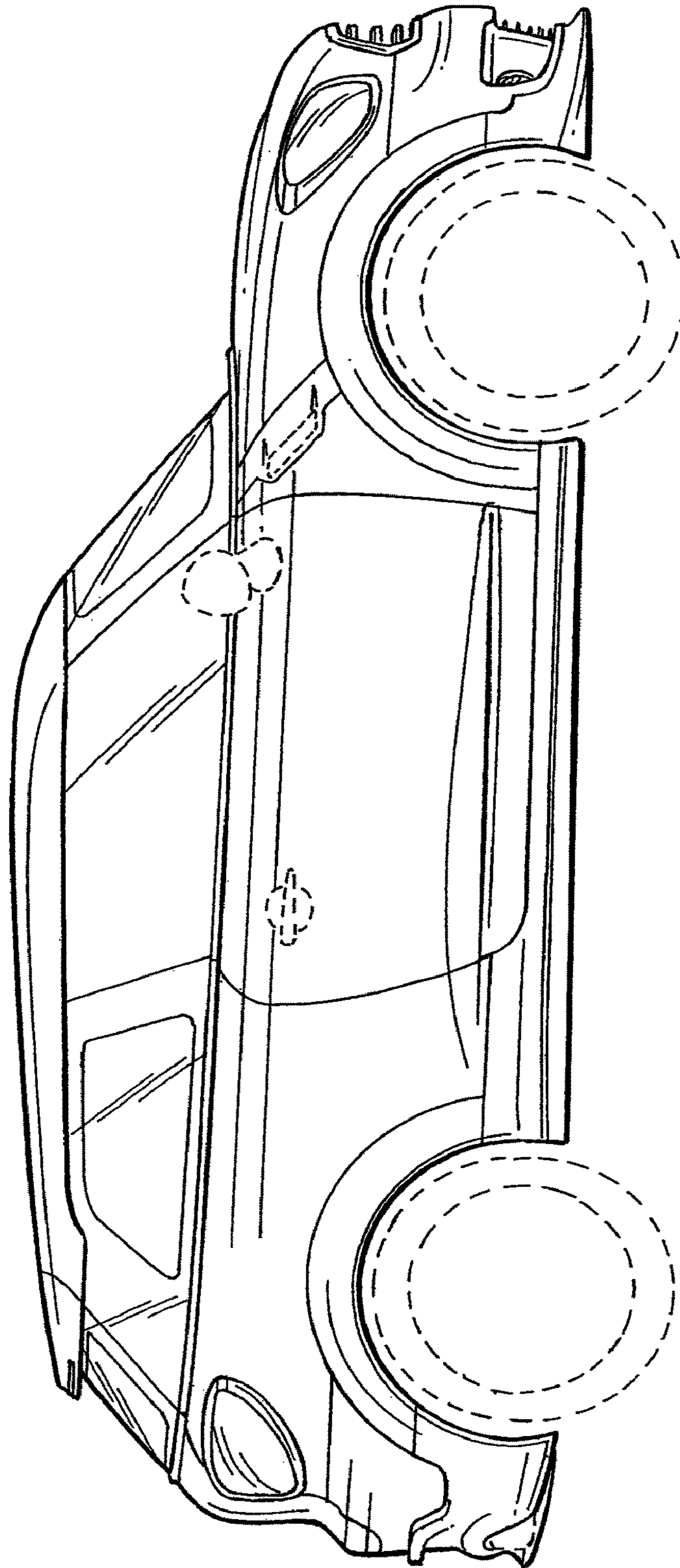


FIG. 4

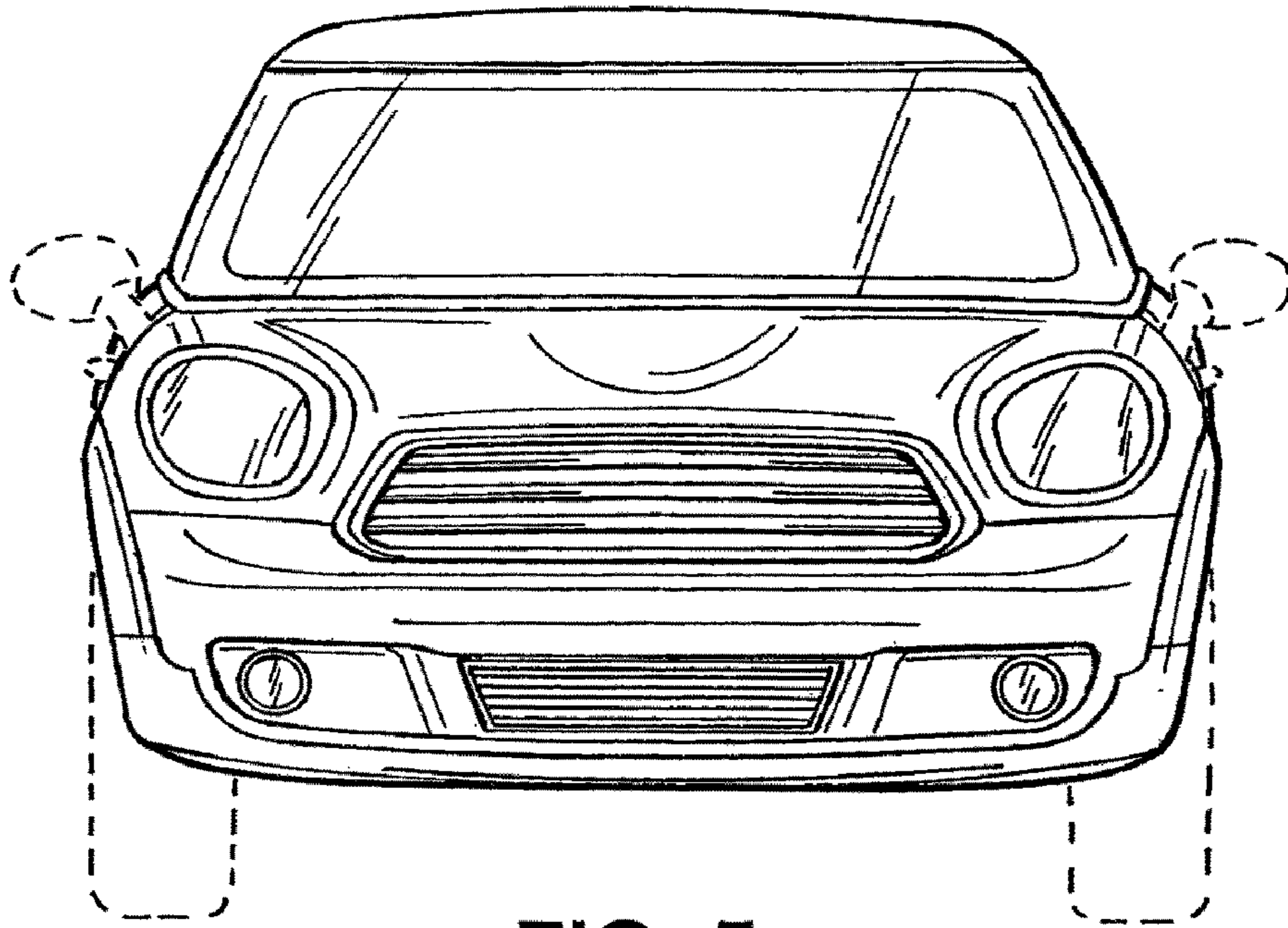


FIG. 5

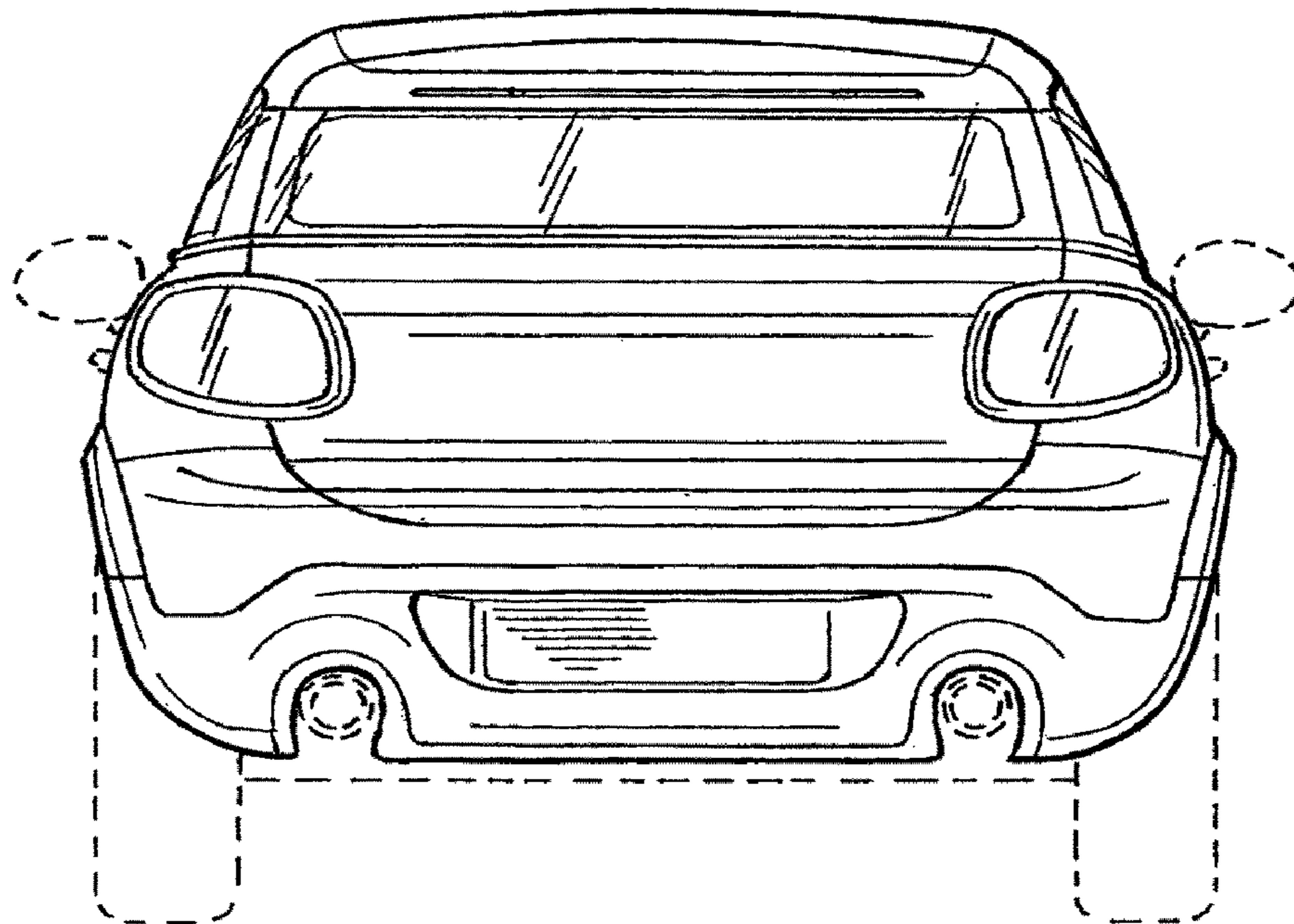


FIG. 6

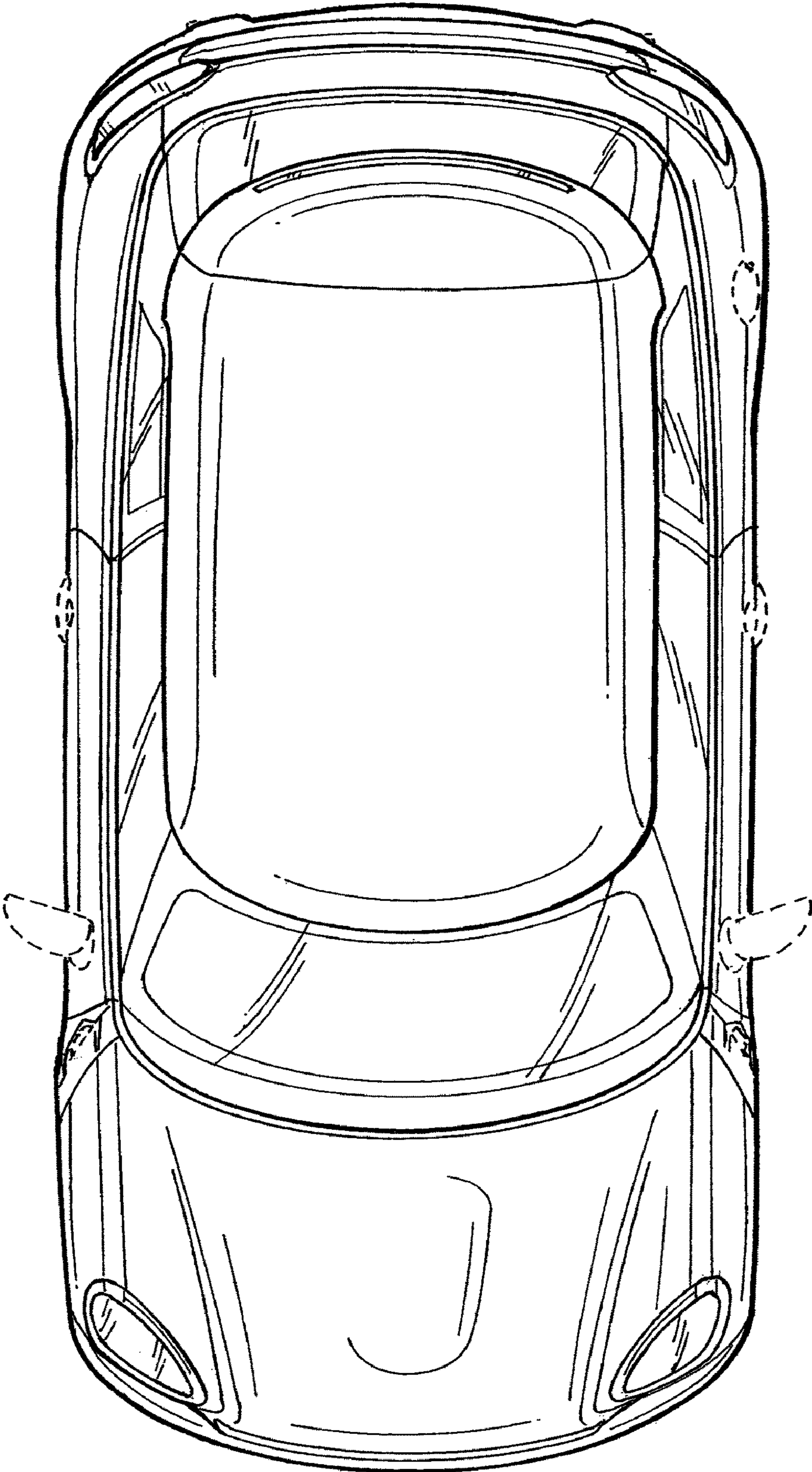


FIG. 7