



US00D664895S

(12) **United States Design Patent**
Nakagami et al.

(10) **Patent No.:** **US D664,895 S**
(45) **Date of Patent:** **** Aug. 7, 2012**

(54) **AUTOMOBILE BODY**

(75) Inventors: **Hideyasu Nakagami**, Tokyo (JP);
Norihiko Yoshimine, Tokyo (JP);
Akinori Okumura, Tokyo (JP); **Naoki Akita**, Tokyo (JP); **Toshihiko Okamoto**, Tokyo (JP)

(73) Assignee: **Mitsubishi Jidosha Kogyo Kabushiki Kaisha**, Tokyo (JP)

(**) Term: **14 Years**

(21) Appl. No.: **29/393,540**

(22) Filed: **Jun. 6, 2011**

(30) **Foreign Application Priority Data**

Dec. 8, 2010 (JP) D2010-029302

(51) **LOC (9) Cl.** **12-08**

(52) **U.S. Cl.** **D12/91**

(58) **Field of Classification Search** D12/86,
D12/90-92, 88; D21/424, 433, 434; 296/181.1,
296/181.5

See application file for complete search history.

(56) **References Cited**

U.S. PATENT DOCUMENTS

D599,706 S	*	9/2009	Tanaka et al.	D12/92
D626,457 S	*	11/2010	Lian et al.	D12/92
D637,521 S	*	5/2011	Kim	D12/92
D637,944 S	*	5/2011	Lee	D12/92
D641,666 S	*	7/2011	Yi	D12/92
D649,911 S	*	12/2011	Okumoto et al.	D12/92

FOREIGN PATENT DOCUMENTS

JP	1232604	3/2005
JP	59606 S	7/2006
JP	1295371	3/2007
JP	1325819	3/2008
JP	1396372	9/2010

OTHER PUBLICATIONS

EM 000828793-0001—Oct. 30, 2009.
EM 001636192-0001—Dec. 16, 2009.
Office Action issued in counterpart Russian Design Patent Application issued on Dec. 5, 2011.

* cited by examiner

Primary Examiner — Melody N Brown

(74) *Attorney, Agent, or Firm* — Birch, Stewart, Kolasch & Birch, LLP

(57) **CLAIM**

The ornamental design for an automobile body, as shown and described.

DESCRIPTION

FIG. 1 is a front perspective view of the front, top and right side of an automobile body showing our new design;

FIG. 2 is a rear perspective view of the rear, top and right side thereof;

FIG. 3 is a front view thereof;

FIG. 4 is a rear view thereof;

FIG. 5 is a top plan view thereof;

FIG. 6 is a left side view thereof; and,

FIG. 7 is a right side view thereof.

The portions shown in broken lines are for illustrative purposes only and form no part of the claimed design.

1 Claim, 6 Drawing Sheets

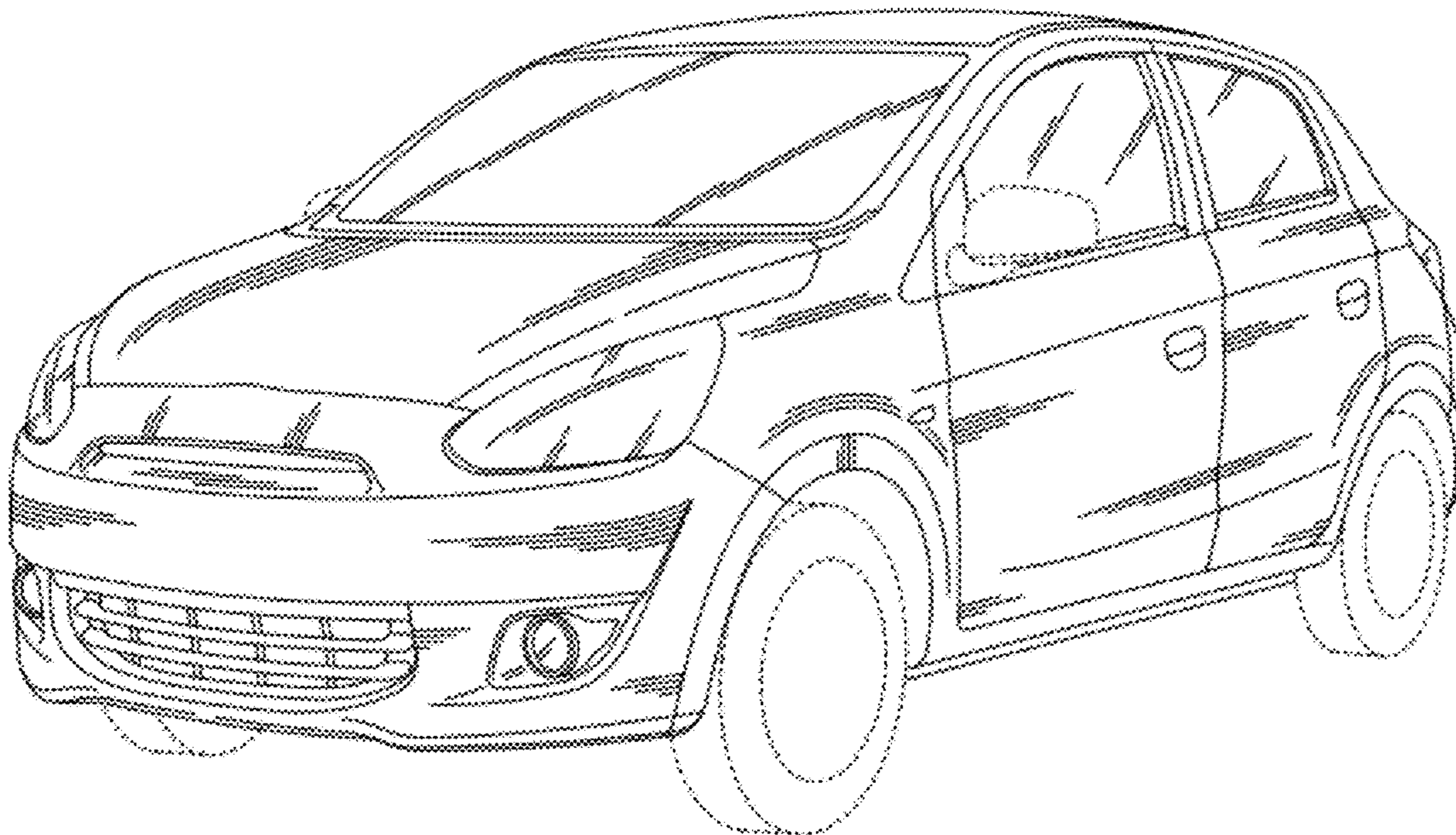


Fig. 1

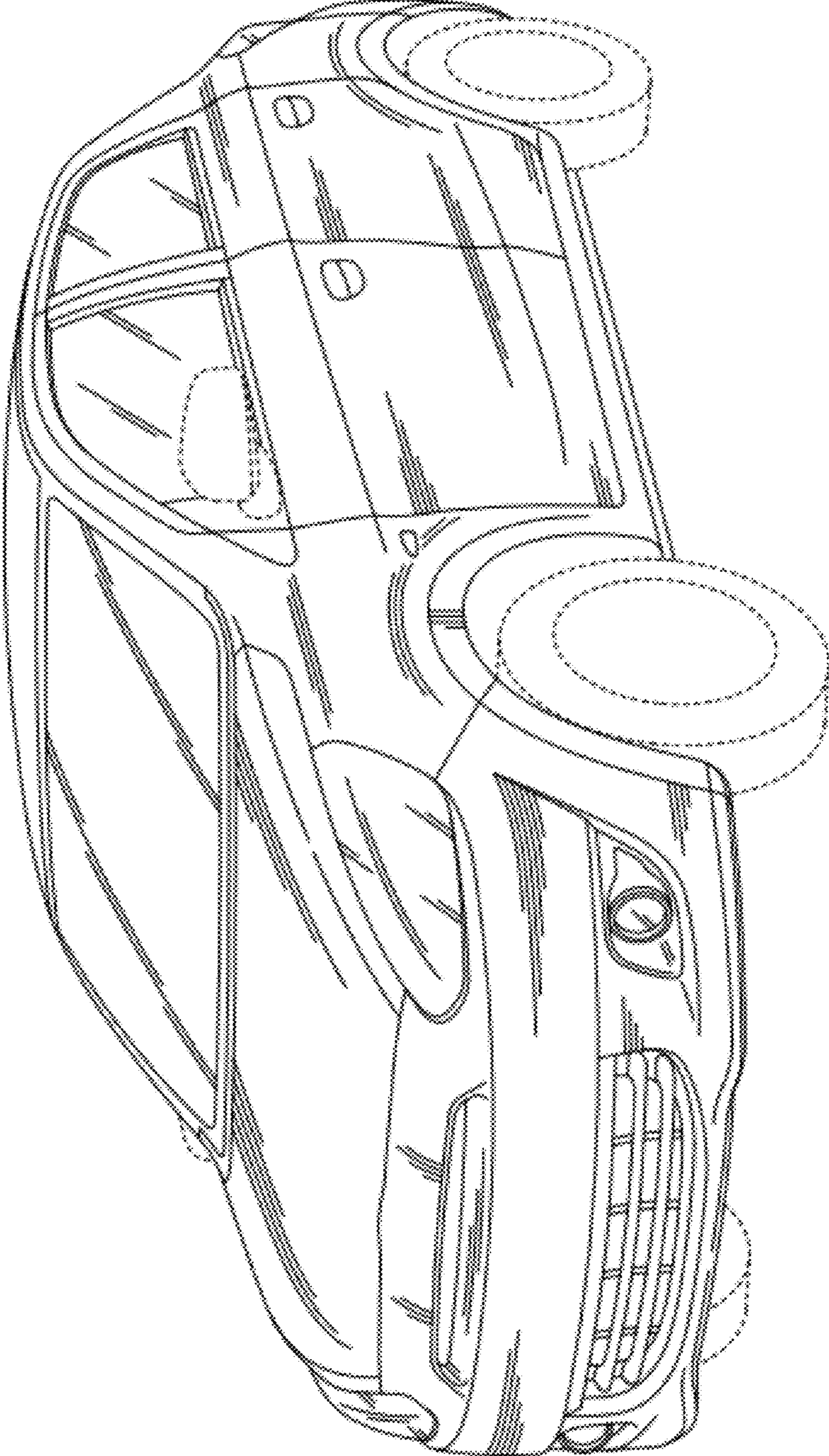


Fig. 2

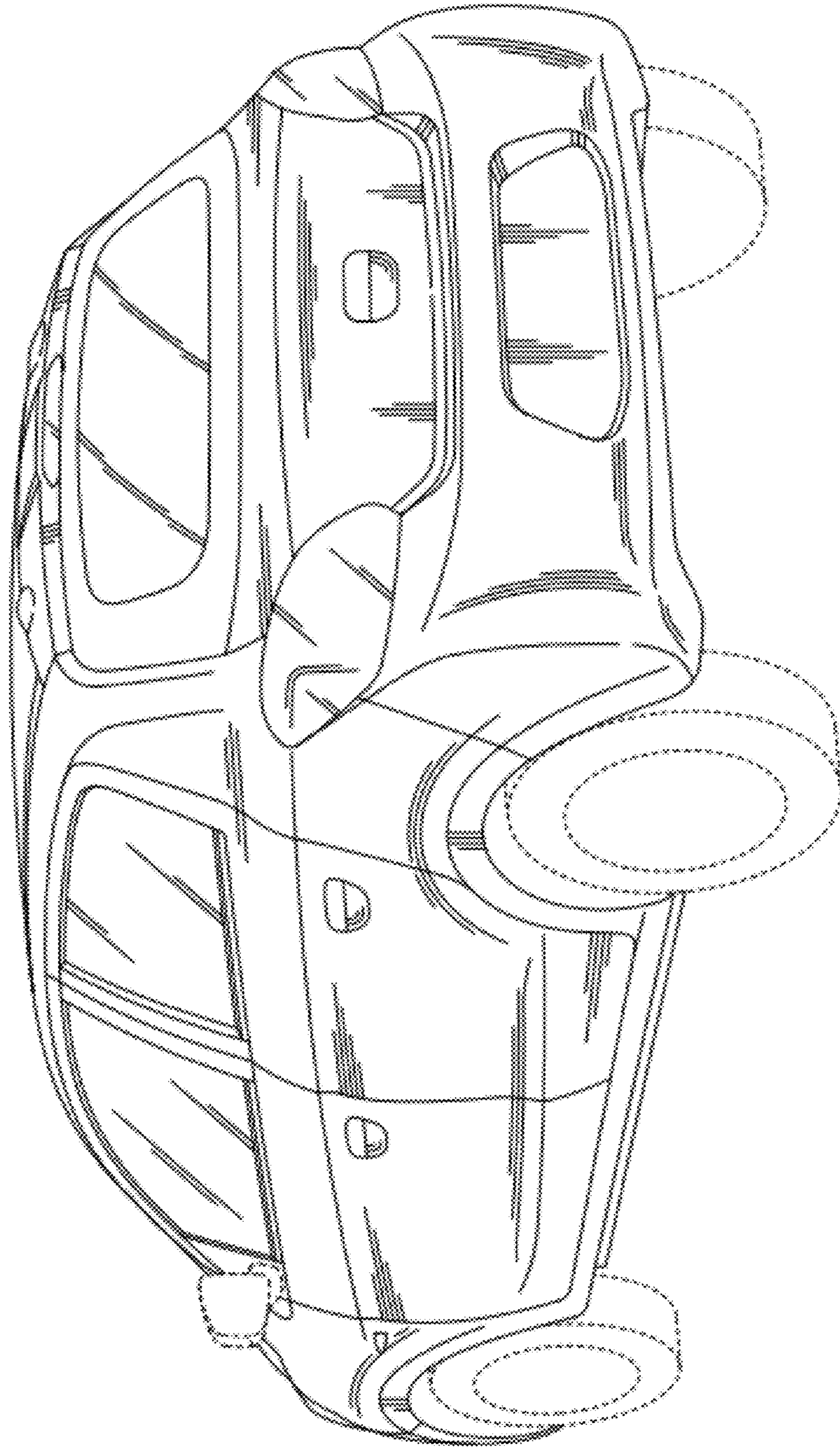


Fig. 4

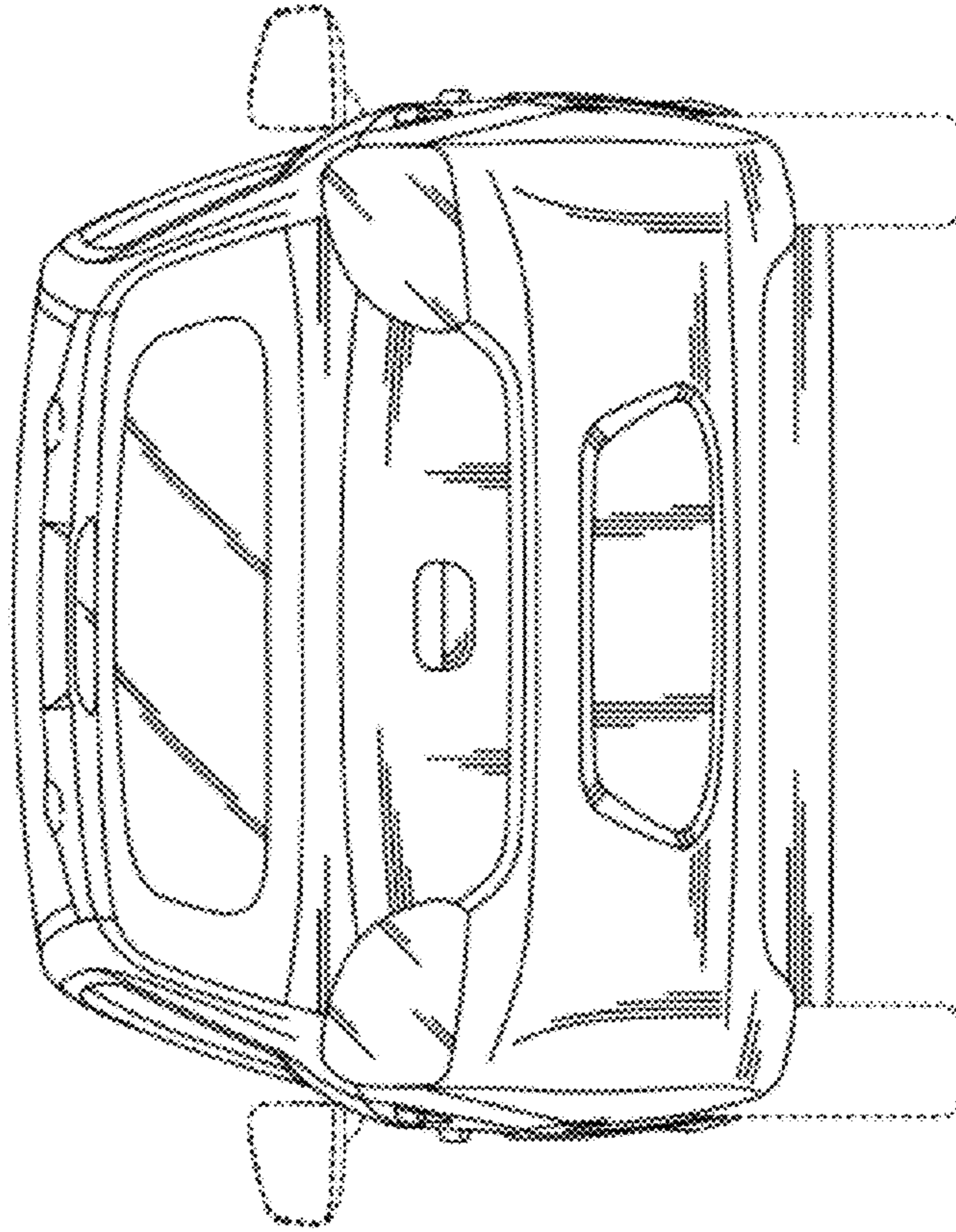


Fig. 3

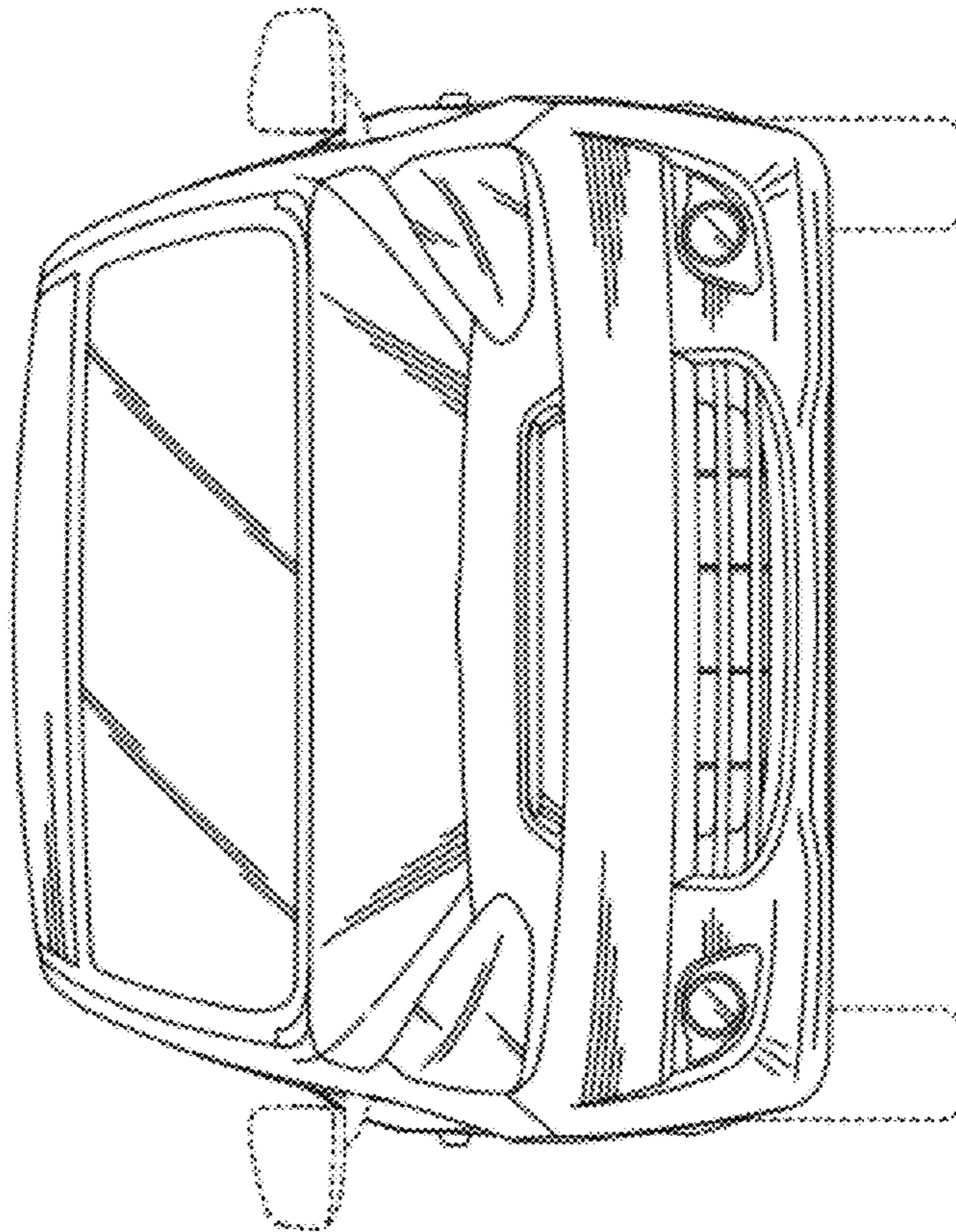


Fig. 5

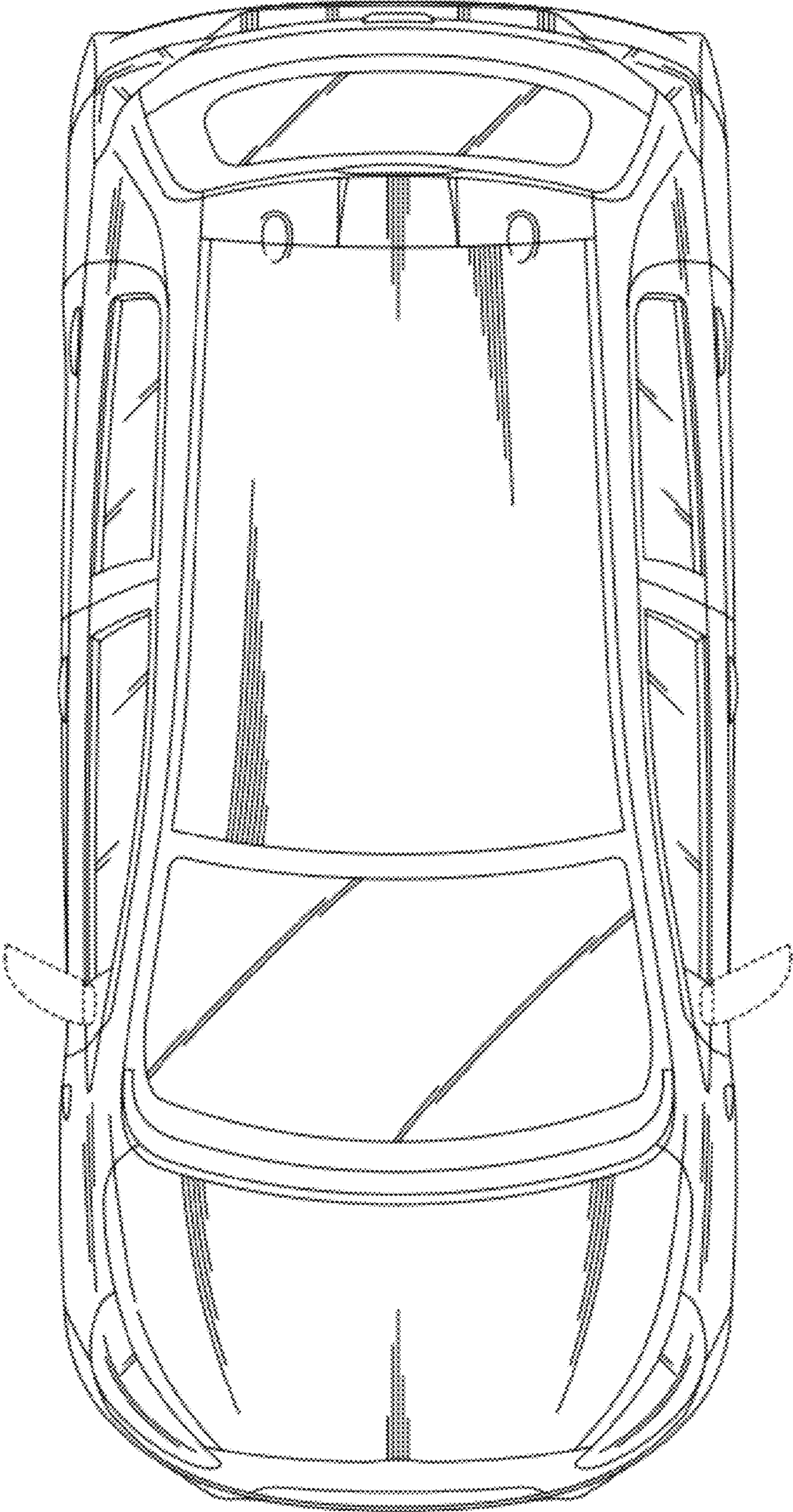


Fig. 6

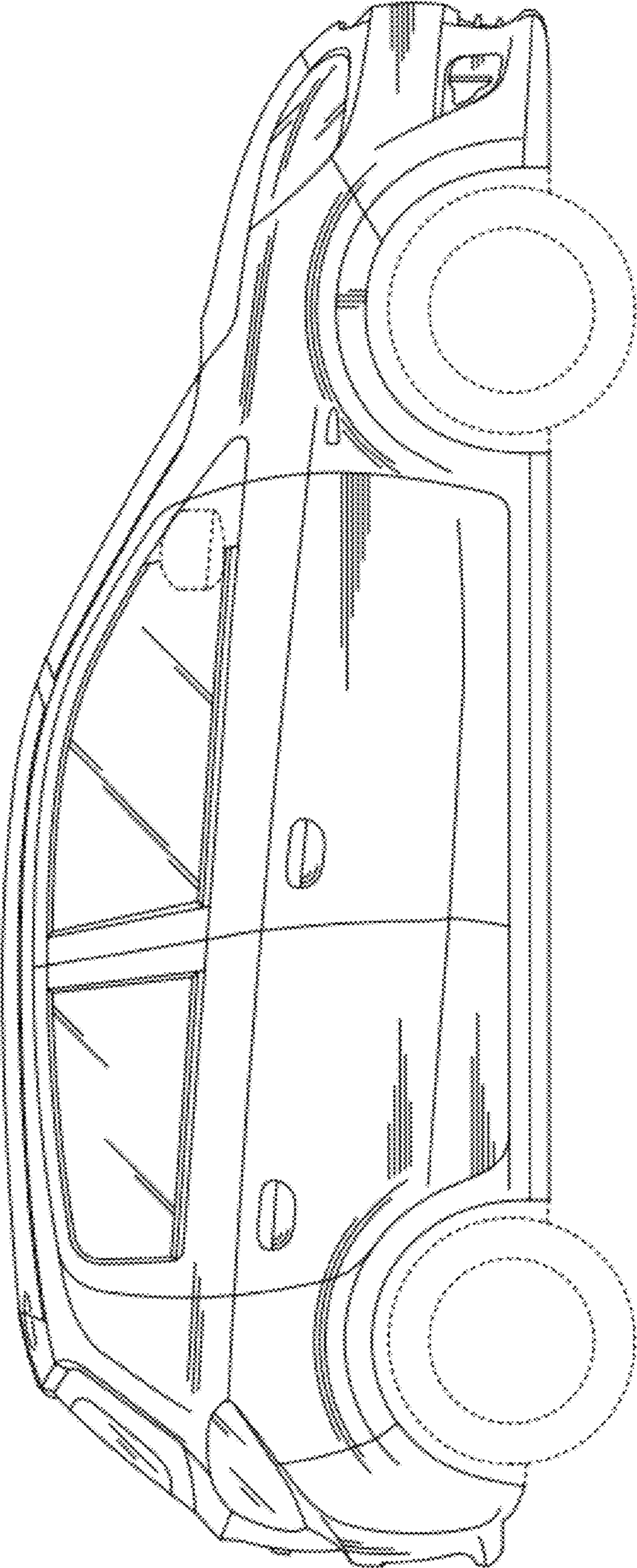


Fig. 7

