



US00D664894S

(12) **United States Design Patent**
Huet

(10) **Patent No.:** **US D664,894 S**

(45) **Date of Patent:** **** Aug. 7, 2012**

(54) **VEHICLE, TOY, AND/OR REPLICAS THEREOF**

FOREIGN PATENT DOCUMENTS

EM 000612882-0002 4/2008

* cited by examiner

(75) Inventor: **Nicolas Huet**, Munich (DE)

Primary Examiner — Melody N Brown

(73) Assignee: **Bayerische Motoren Werke Aktiengesellschaft**, Munich (DE)

(74) *Attorney, Agent, or Firm* — Crowell & Moring LLP

(57) **CLAIM**

The ornamental design for a vehicle, toy, and/or replicas thereof, as shown and described.

(**) Term: **14 Years**

DESCRIPTION

(21) Appl. No.: **29/392,863**

This application contains subject matter related to the following co-pending U.S. design patent applications:

(22) Filed: **May 27, 2011**

Application Ser. No. 29/392,859, filed herewith and entitled "Hood for a Vehicle";

(30) **Foreign Application Priority Data**

Application Ser. No. 29/392,860, filed herewith and entitled "Front Fender for a Vehicle";

Nov. 29, 2010 (DE) 402010006547

Application Ser. No. 29/392,865, filed herewith and entitled "Door for a Vehicle"; and

(51) **LOC (9) Cl.** **12-08**

Application Ser. No. 29/392,866, filed herewith and entitled "Roof Antenna for a Vehicle".

(52) **U.S. Cl.** **D12/91**

FIG. 1 is a left front perspective view of a vehicle, toy, and/or replicas thereof according to my design, the right front perspective view being mirror symmetrical;

(58) **Field of Classification Search** D12/86,

D12/90-92, 88; D21/424, 433, 434; 296/181.1,

296/181.5

FIG. 2 is a left rear perspective view thereof;

See application file for complete search history.

FIG. 3 is a left side view thereof;

(56) **References Cited**

U.S. PATENT DOCUMENTS

D609,135 S * 2/2010 Kim D12/91

D621,747 S * 8/2010 Huet D12/91

D639,209 S * 6/2011 Faghihzadeh D12/92

FIG. 4 is a right side view thereof;

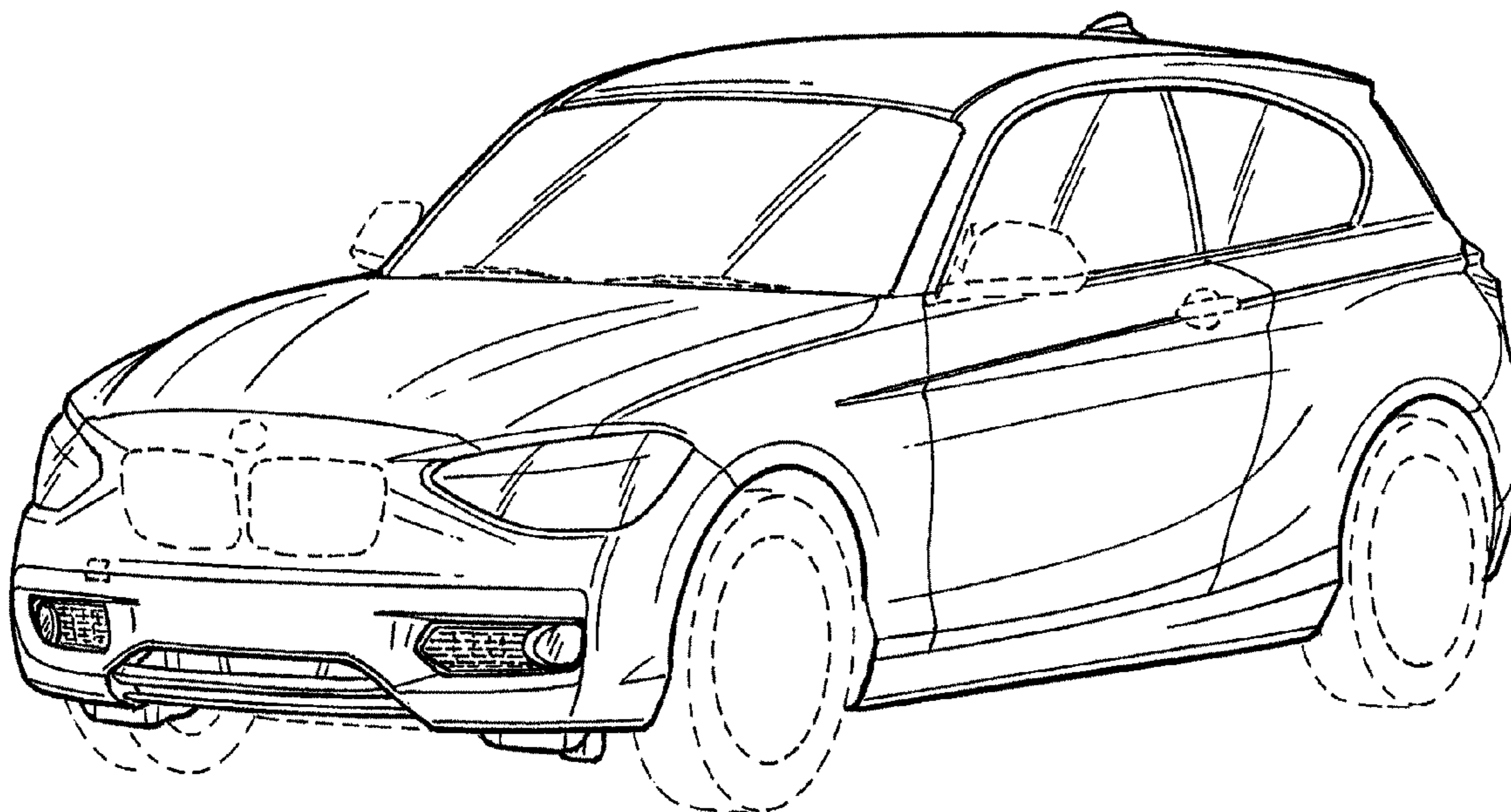
FIG. 5 is a front view thereof;

FIG. 6 is a rear view thereof; and,

FIG. 7 is a top view thereof.

The broken lines are for illustrative purposes only and form no part of the claimed design.

1 Claim, 6 Drawing Sheets



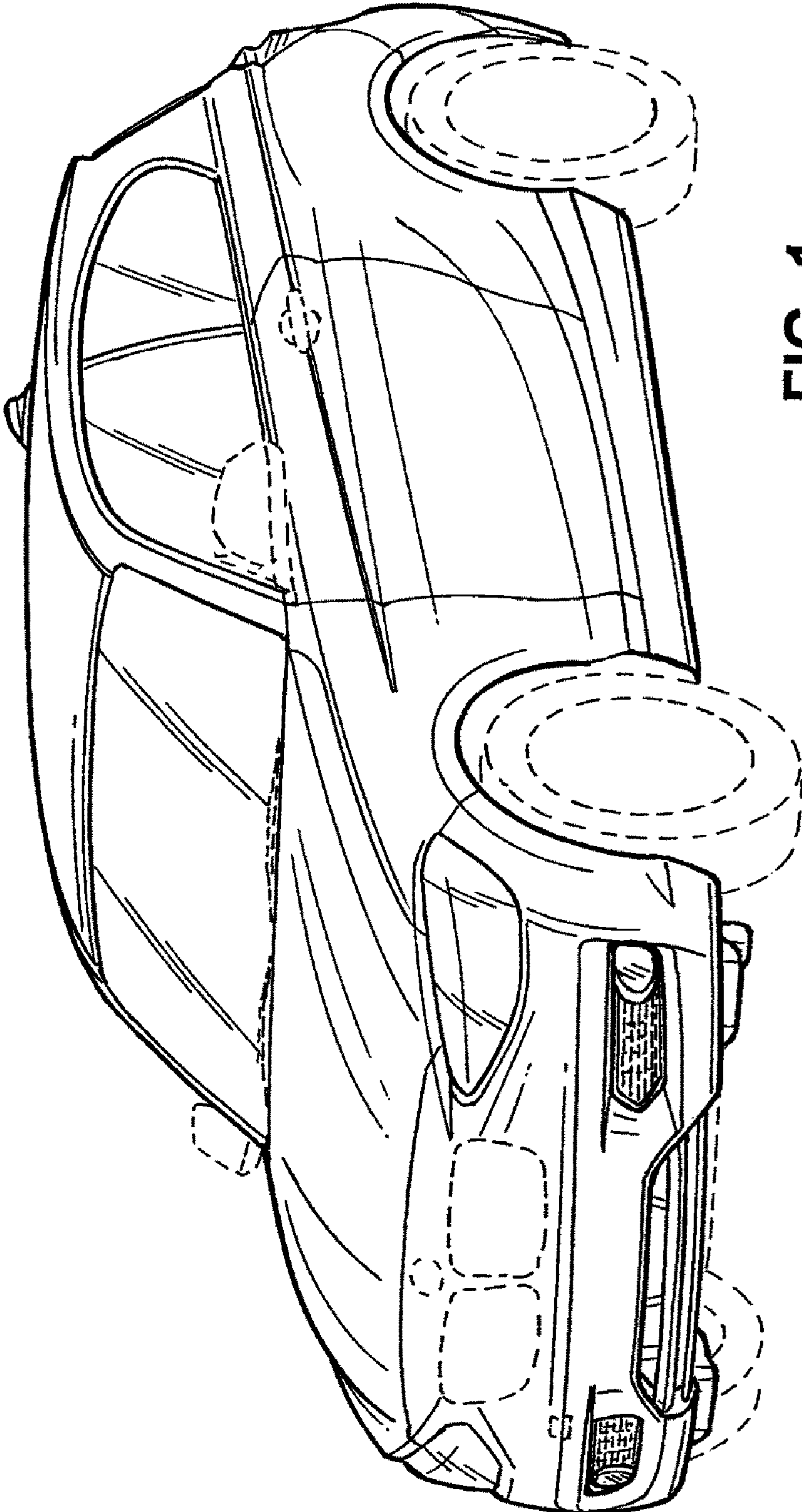


FIG. 1

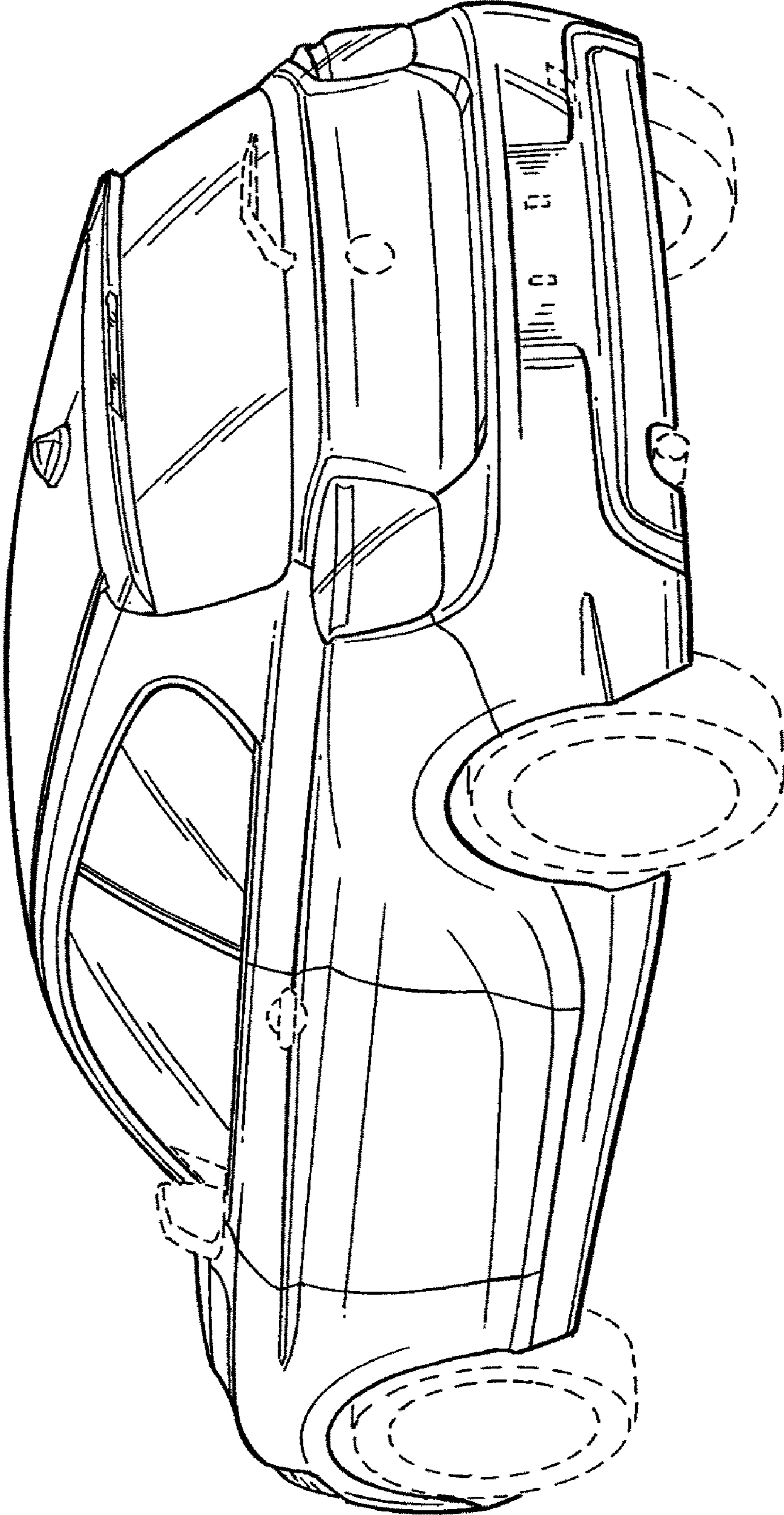


FIG. 2

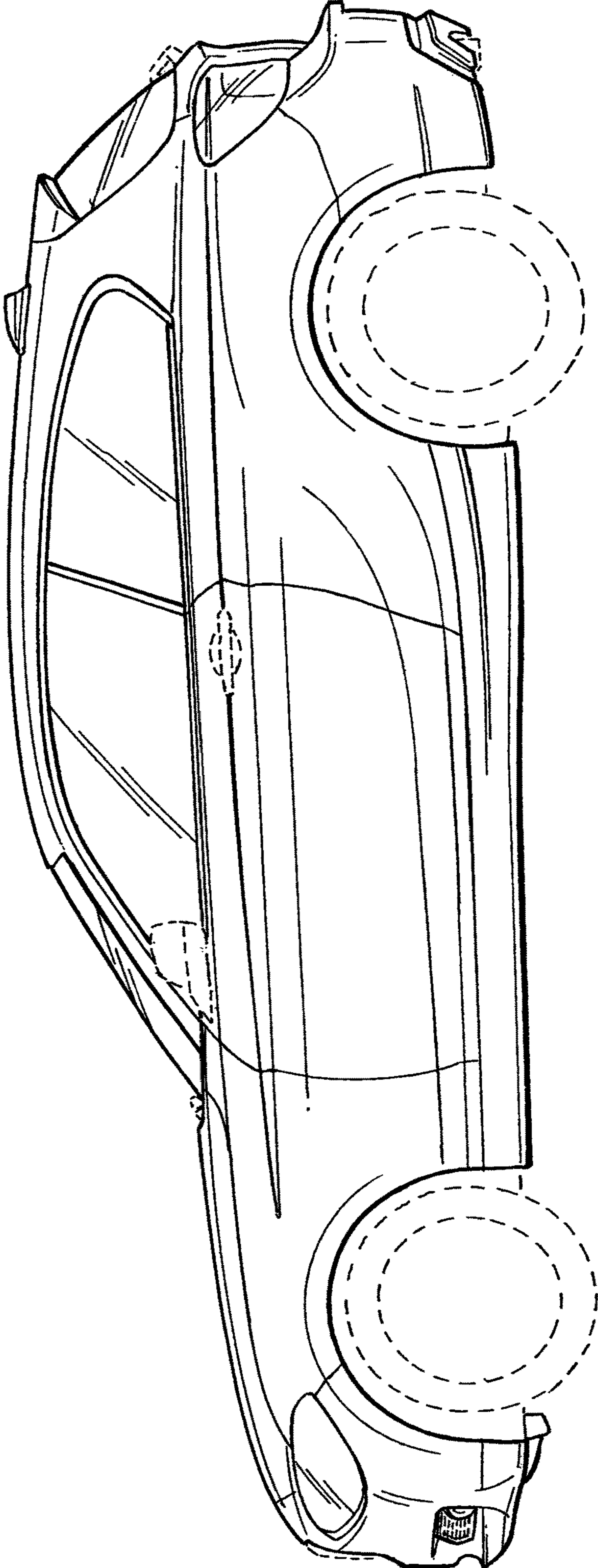


FIG. 3

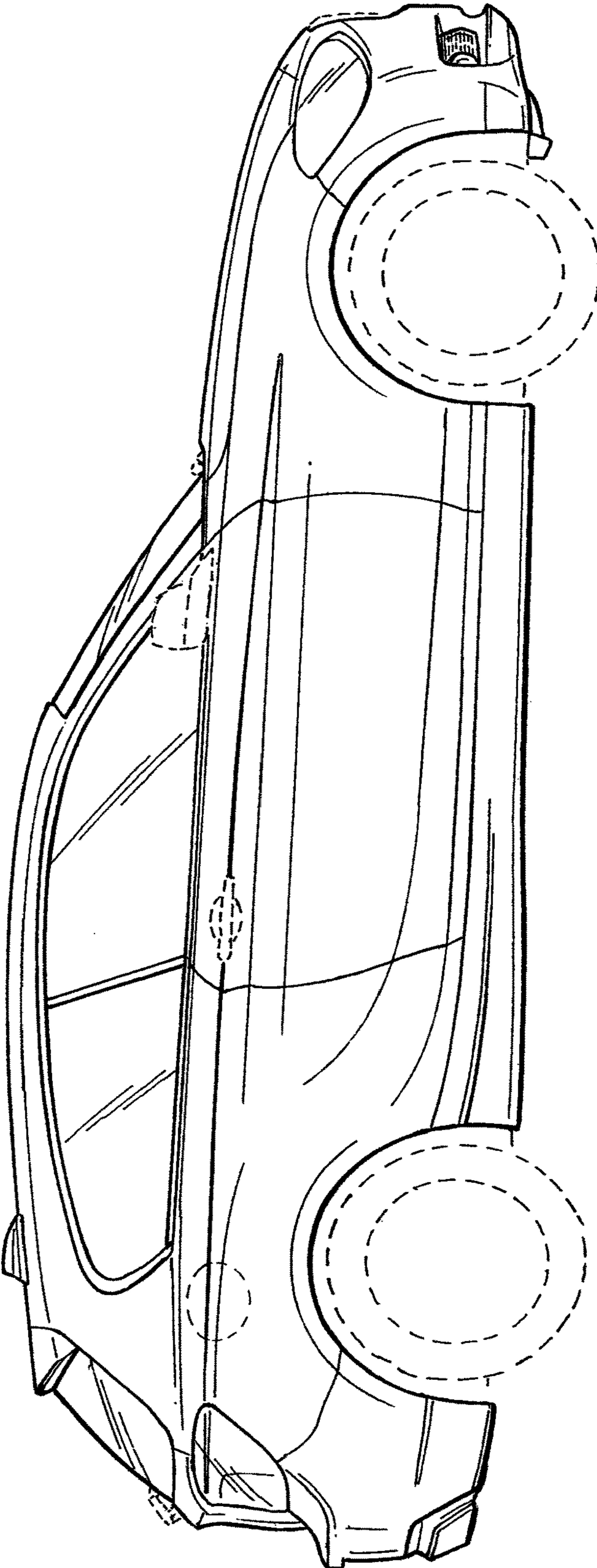


FIG. 4

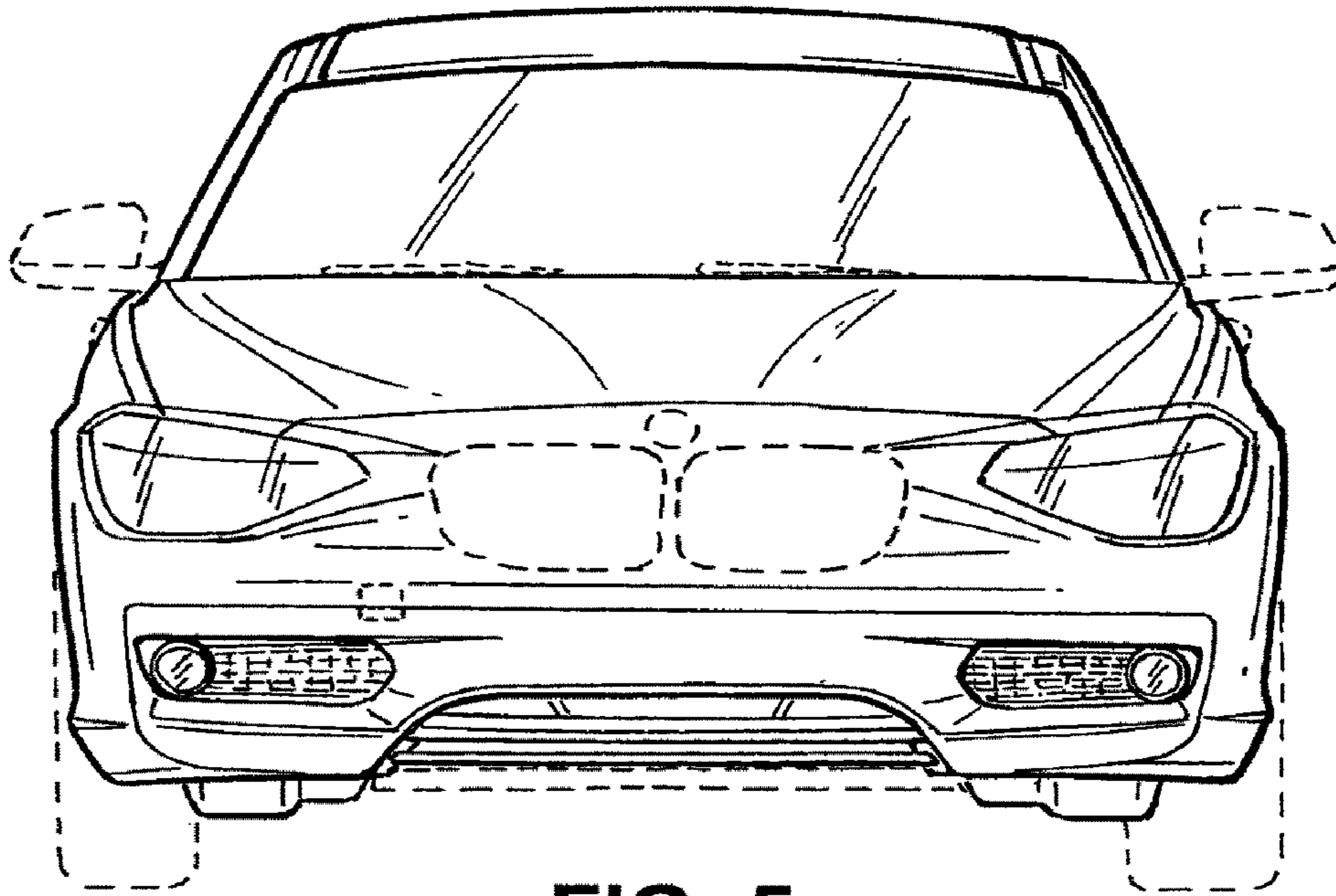


FIG. 5

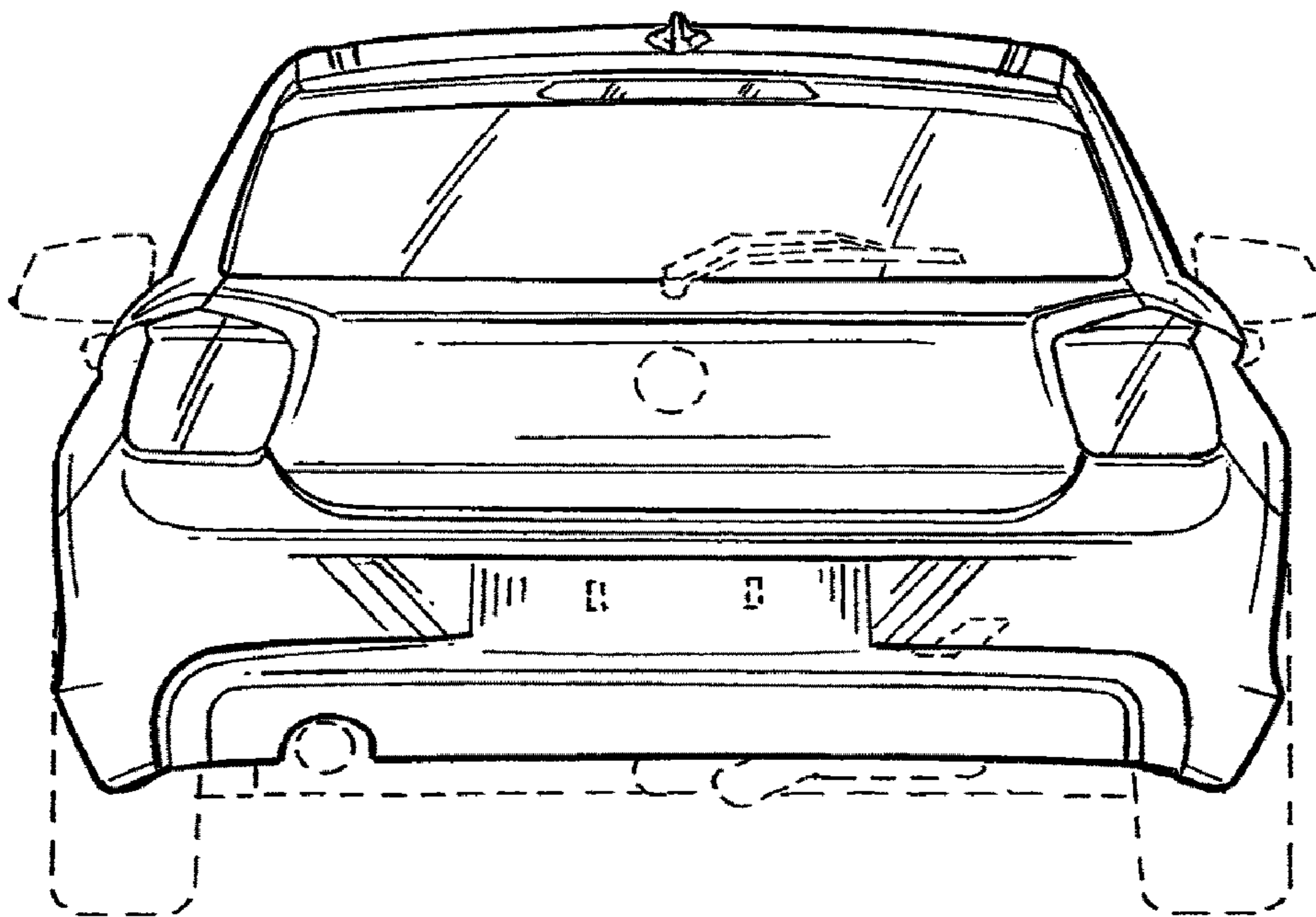


FIG. 6

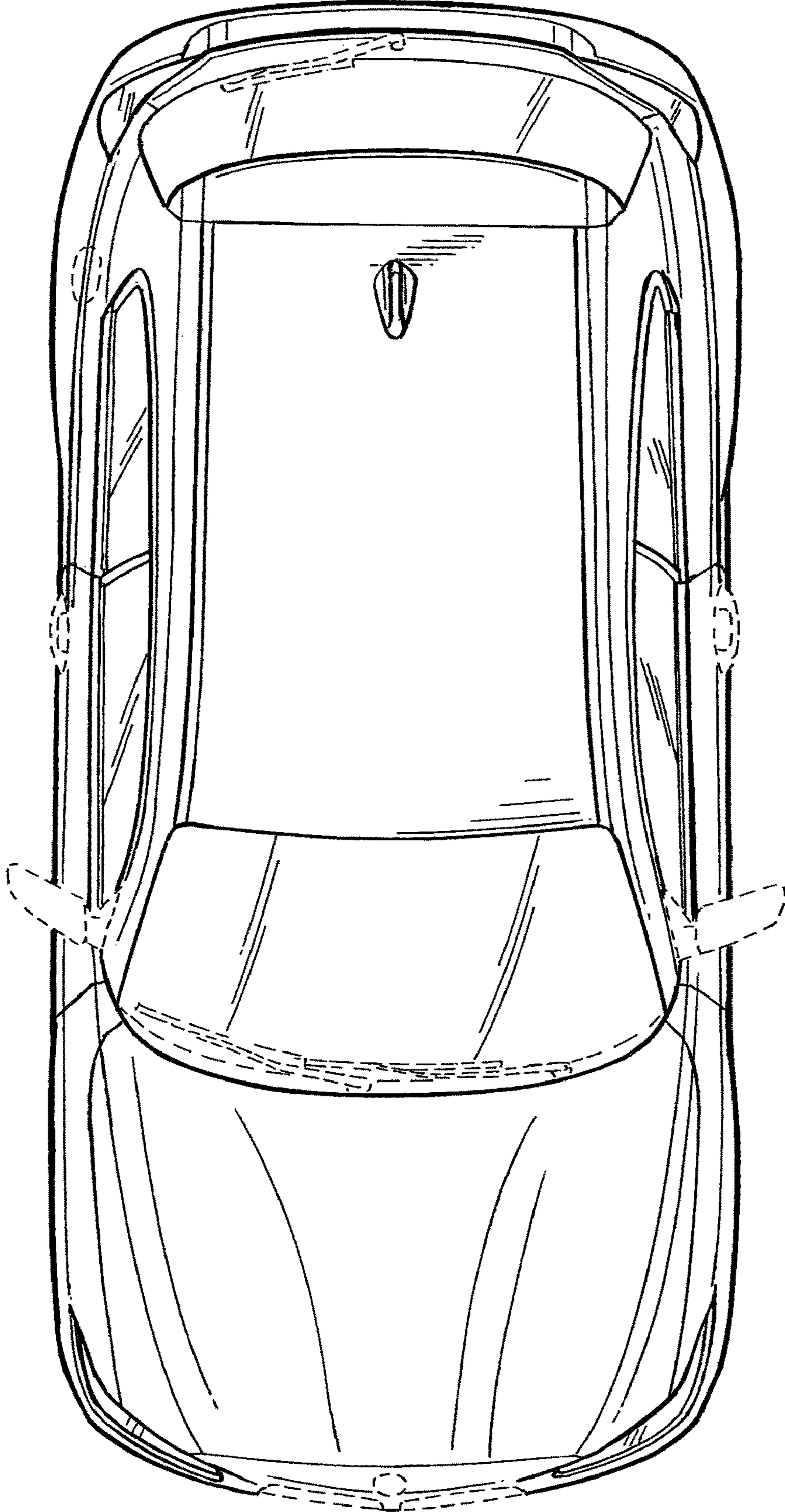


FIG. 7