



US00D664882S

(12) **United States Design Patent**
Cobbett et al.

(10) **Patent No.:** **US D664,882 S**

(45) **Date of Patent:** **** Aug. 7, 2012**

(54) **WRISTBAND**

(75) Inventors: **Jamian R. Cobbett**, Portland, OR (US);
Michel Alvarez, Miami Beach, FL (US);
Kyle Schepke, Portland, OR (US)

(73) Assignee: **NIKE, Inc.**, Beaverton, OR (US)

(**) Term: **14 Years**

(21) Appl. No.: **29/411,252**

(22) Filed: **Jan. 18, 2012**

(51) **LOC (9) Cl.** **11-01**

(52) **U.S. Cl.** **D11/3**

(58) **Field of Classification Search** D11/1-39,
D11/86; 63/3, 3.1, 3.2, 5, 15.1-15.4, 15.45,
63/15.5, 15.6, 15.65, 15.7, 26-28; D10/30,
D10/31, 32

See application file for complete search history.

(56) **References Cited**

U.S. PATENT DOCUMENTS

D262,527 S	1/1982	Goldberg	
D355,858 S	2/1995	Sugita	
6,158,884 A *	12/2000	Lebby et al.	224/165
D460,430 S	7/2002	Wada	
D466,487 S	12/2002	Wada	
D466,488 S	12/2002	Wada	
D468,648 S	1/2003	Starck	
D495,611 S	9/2004	Jorgensen	
D511,309 S *	11/2005	Hardy	D11/26
D539,670 S	4/2007	Behling	
D548,128 S	8/2007	Andren	
D549,221 S	8/2007	Yagi	
D550,112 S	9/2007	Andren	
D553,536 S	10/2007	Andren	
D556,194 S	11/2007	Rambosek	
D558,198 S	12/2007	Blankenship	
D560,134 S	1/2008	Chen	
D564,367 S	3/2008	Molyneux	
D565,427 S	4/2008	Ellner	
D567,227 S	4/2008	Hada	
D567,676 S	4/2008	Tang	

D568,768 S	5/2008	Tang	
D571,684 S	6/2008	Kim	
D576,501 S	9/2008	Tang	
D576,908 S	9/2008	Gruenke	
D580,277 S	11/2008	Brady	
D583,815 S	12/2008	Giovannoni	
D589,374 S	3/2009	Tang	
D597,881 S *	8/2009	Hou	D11/3
D600,570 S	9/2009	Zinder	
D600,571 S	9/2009	Singer	
D604,654 S	11/2009	Calvani	
D606,423 S	12/2009	Mille	
D611,357 S	3/2010	Giroud	
D621,726 S	8/2010	Lattman	
D638,723 S	5/2011	Ong	

(Continued)

OTHER PUBLICATIONS

The Retsu by Saishin, 1 color page included, disclosure date unknown but prior to filing date of the instant application.

(Continued)

Primary Examiner — Cathron Brooks

Assistant Examiner — Melanie Pellegrini

(74) *Attorney, Agent, or Firm* — Banner & Witcoff, Ltd.

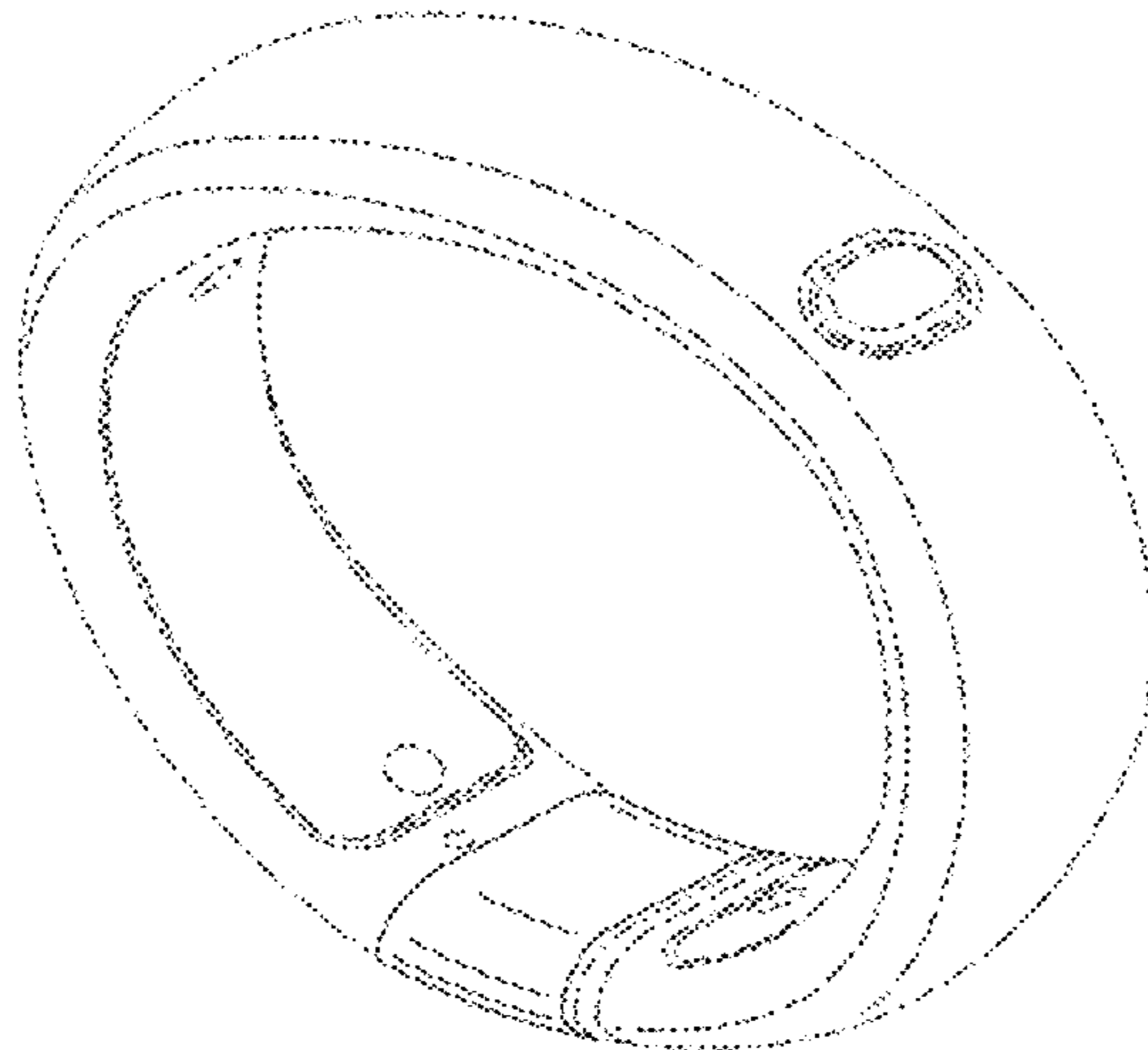
(57) **CLAIM**

The ornamental design for a wristband, as shown and described.

DESCRIPTION

FIG. 1 is a front perspective view of a wristband showing my/our new design;
FIG. 2 is a left side view thereof;
FIG. 3 is a right view thereof;
FIG. 4 is a rear view thereof; and,
FIG. 5 is a rear perspective view thereof.
The broken lines showing the remainder of the wristband are for environmental purposes only and form no part of the claimed design.

1 Claim, 3 Drawing Sheets



US D664,882 S

Page 2

U.S. PATENT DOCUMENTS

D640,367 S 6/2011 Lin
D643,428 S 8/2011 Jankey et al.
8,028,413 B2* 10/2011 Miller 63/15
D651,535 S 1/2012 Rodarmel
2005/0237704 A1* 10/2005 Ceresoli 361/683
2008/0236195 A1* 10/2008 Woebke 63/1.14
2009/0133438 A1* 5/2009 Stampfli et al. 63/3.1

OTHER PUBLICATIONS

Various LED watches, 32 color pages included, disclosure date
unknown but prior to filing date of the instant application.

* cited by examiner

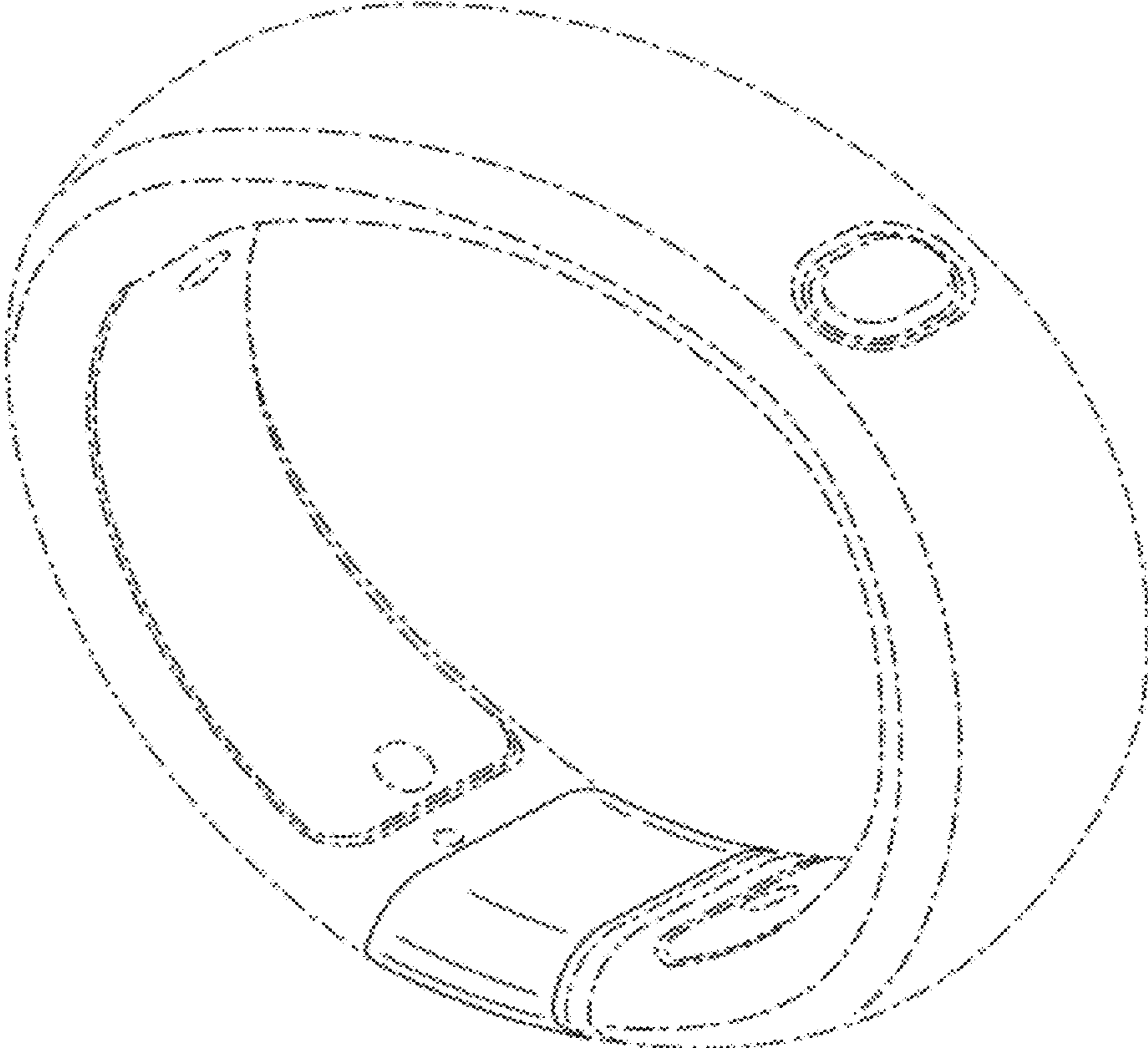


FIG. 1

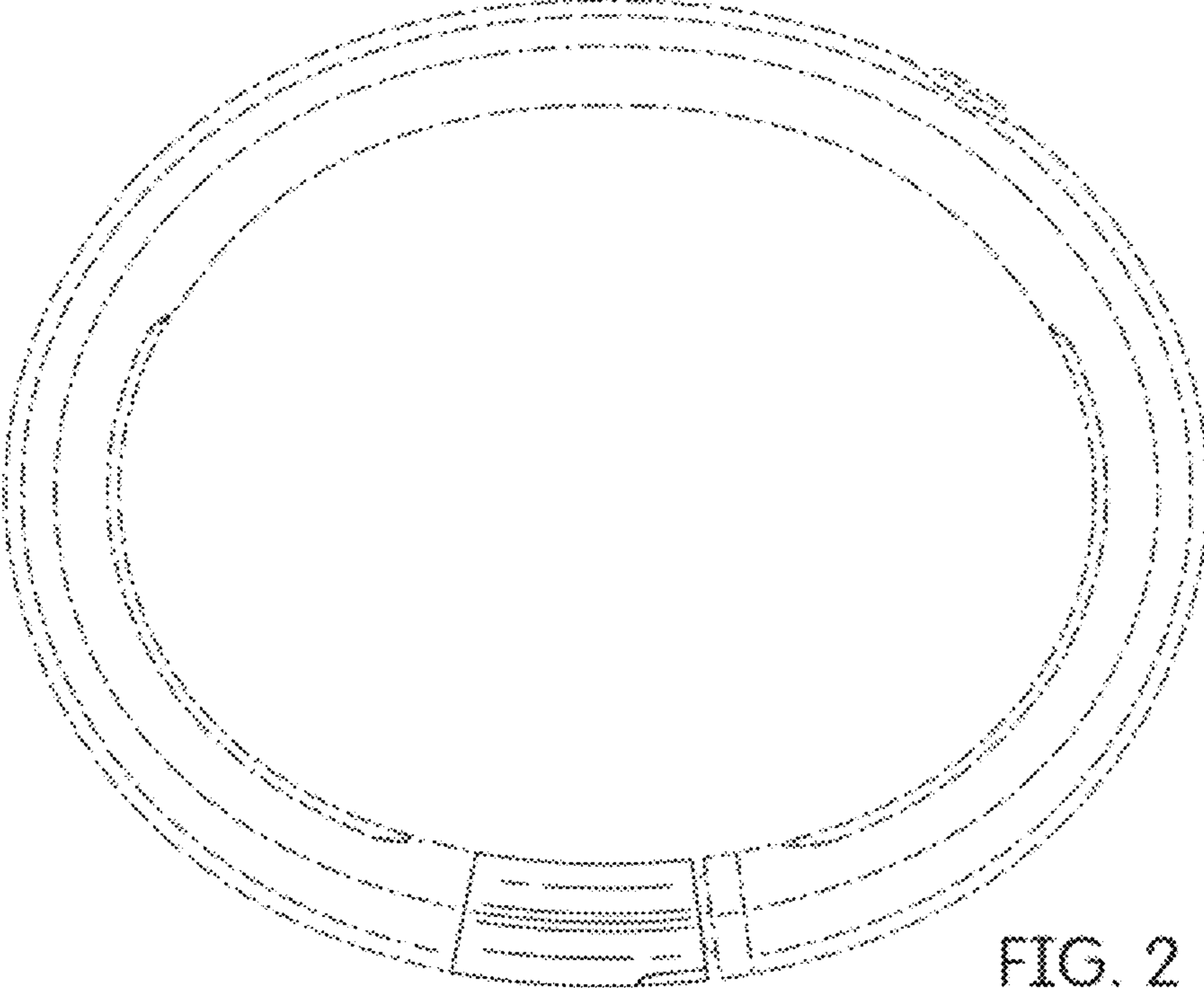


FIG. 2

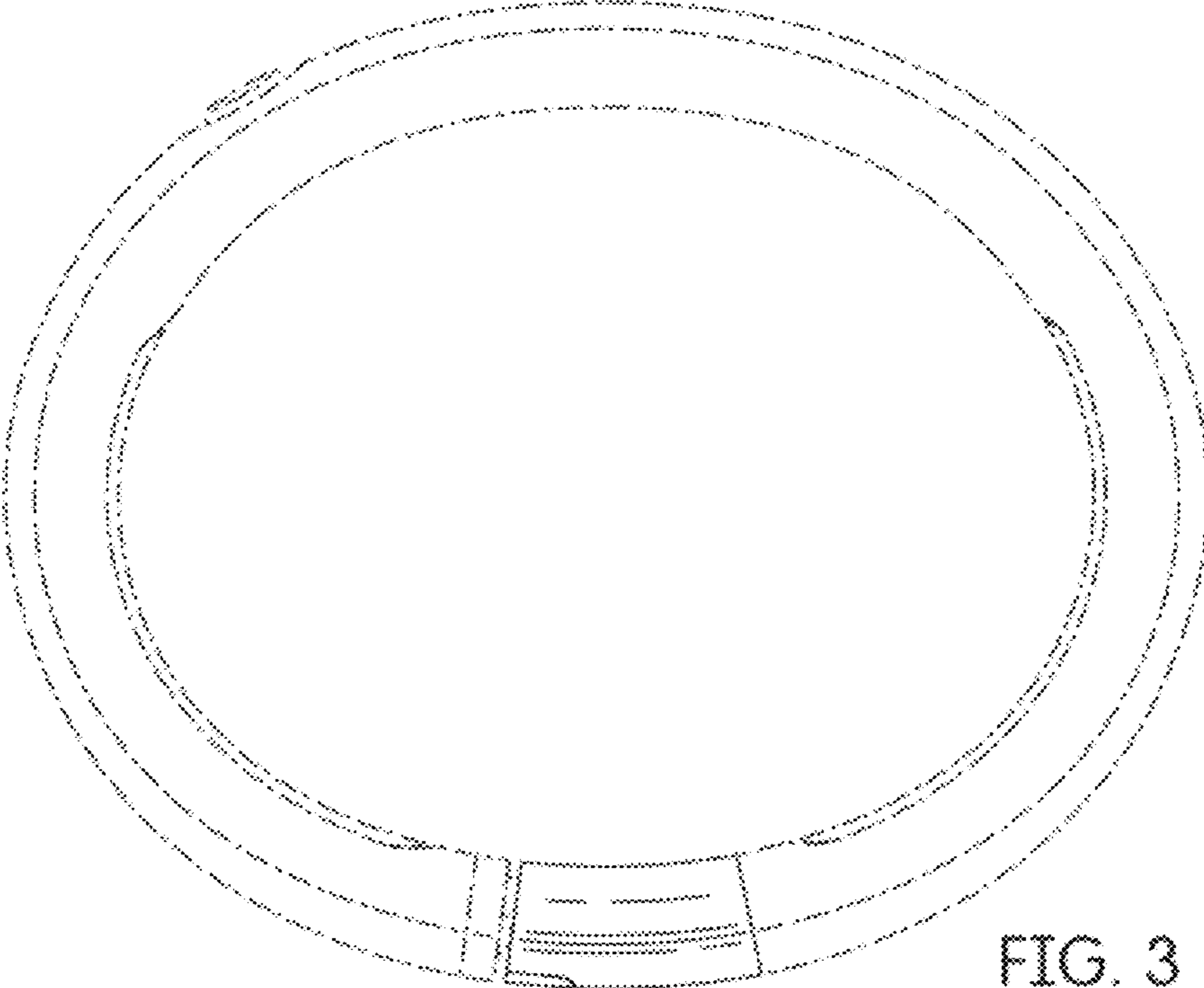


FIG. 3

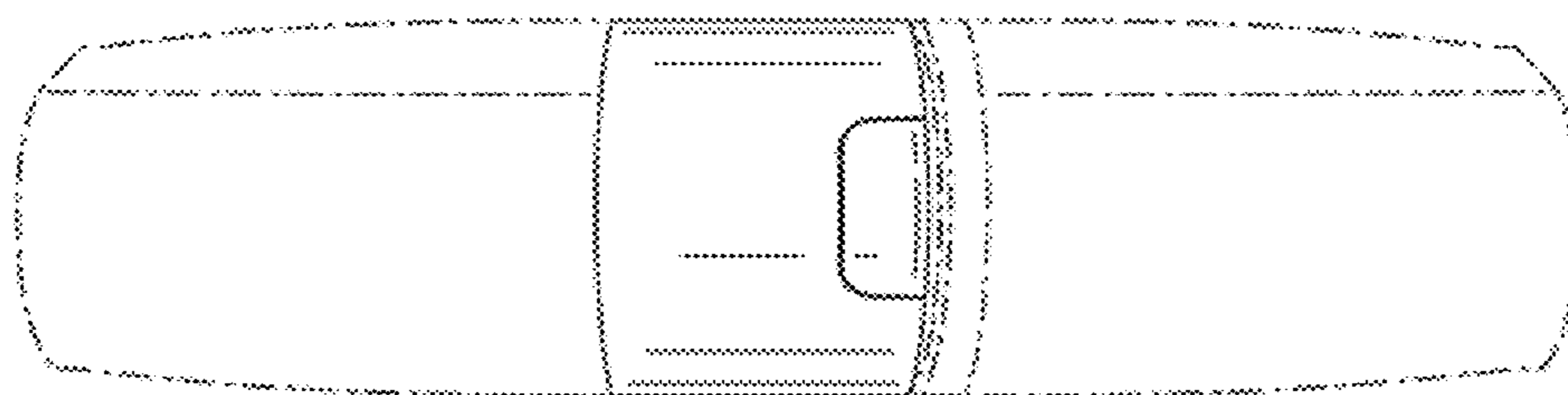


FIG. 4

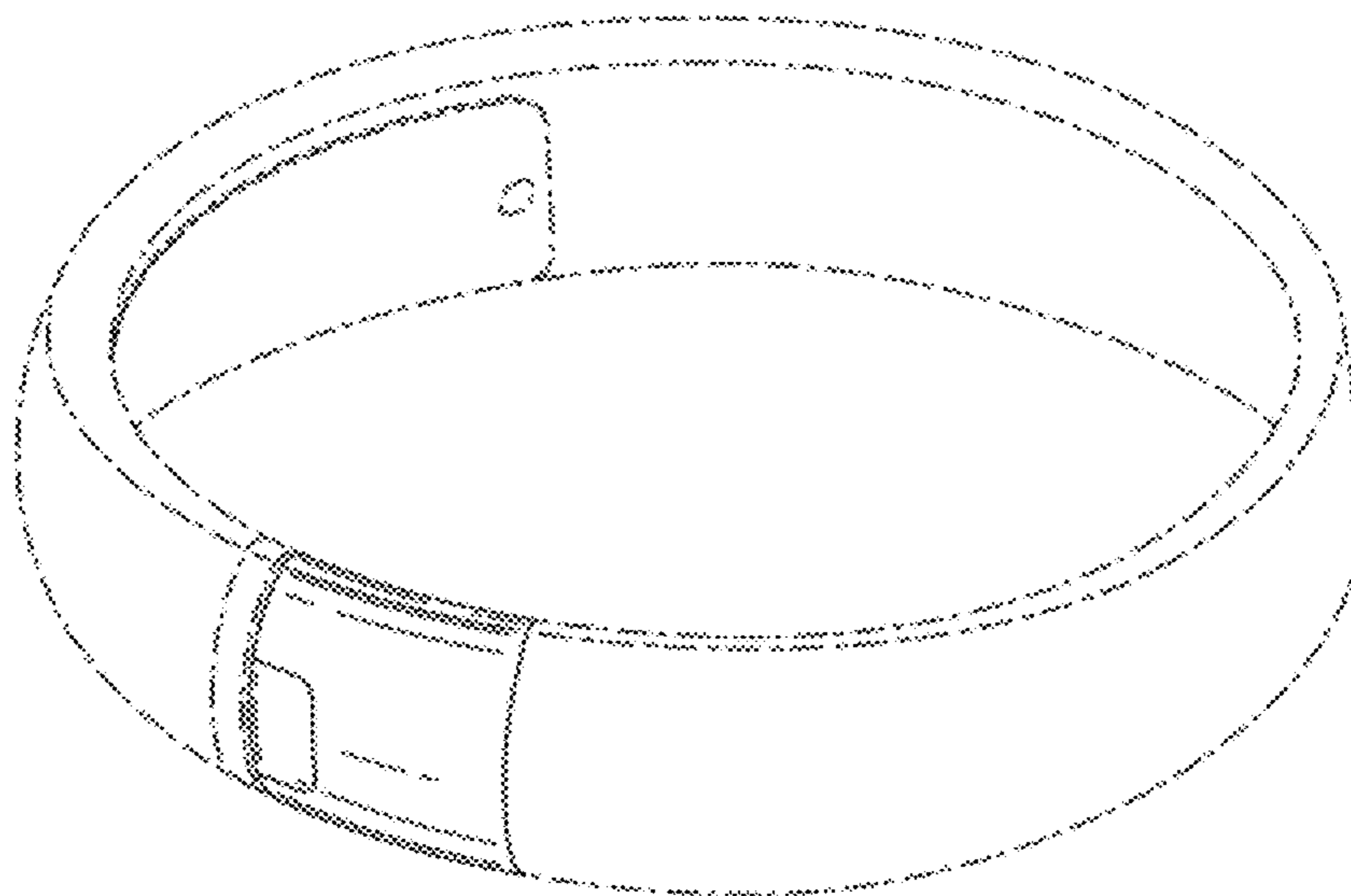


FIG. 5