

US00D664878S

(12) **United States Design Patent**  
**Schenck et al.**

(10) **Patent No.:** **US D664,878 S**

(45) **Date of Patent:** **\*\* Aug. 7, 2012**

(54) **MOTION SENSOR LAMP ADAPTOR**

(75) Inventors: **Grady Schenck**, Walden, NY (US);  
**Mike Stack**, Wanaque, NJ (US)

(73) Assignee: **American Tack and Hardware Co., Inc.**, Saddle River, NJ (US)

(\*\*) Term: **14 Years**

(21) Appl. No.: **29/382,876**

(22) Filed: **Jan. 9, 2011**

(51) **LOC (9) Cl.** ..... **10-05**

(52) **U.S. Cl.** ..... **D10/106.8**

(58) **Field of Classification Search** ... D10/106.6-106.8,  
D10/104.1; D13/158, 134, 125

See application file for complete search history.

(56) **References Cited**

U.S. PATENT DOCUMENTS

D217,466 S \* 5/1970 Garrett ..... D13/125  
D296,549 S \* 7/1988 Fenne ..... D13/134  
D320,595 S \* 10/1991 Fenne ..... D13/158

D364,142 S \* 11/1995 Metcalfe et al. .... D13/134  
D367,847 S \* 3/1996 Tarulli et al. .... D13/158  
D600,152 S \* 9/2009 Stack et al. .... D10/104.1

\* cited by examiner

*Primary Examiner* — Caron D Veynar

*Assistant Examiner* — George D Kirschbaum

(74) *Attorney, Agent, or Firm* — Hedman & Costigan, P.C.;  
Kathleen A. Costigan

(57) **CLAIM**

The ornamental design for a motion sensor lamp adaptor, as shown and described.

**DESCRIPTION**

FIG. 1 is a front view of a motion sensor lamp adaptor showing our new design;

FIG. 2 is a top plan view thereof;

FIG. 3 is a left side elevational view thereof;

FIG. 4 is a right side elevational view thereof;

FIG. 5 is a rear elevational view thereof; and,

FIG. 6 is a bottom plan view thereof.

The broken-line disclosure of elements in the views are understood to be functional aspects of the article in which the design is embodied and form no part of the claimed design.

**1 Claim, 3 Drawing Sheets**

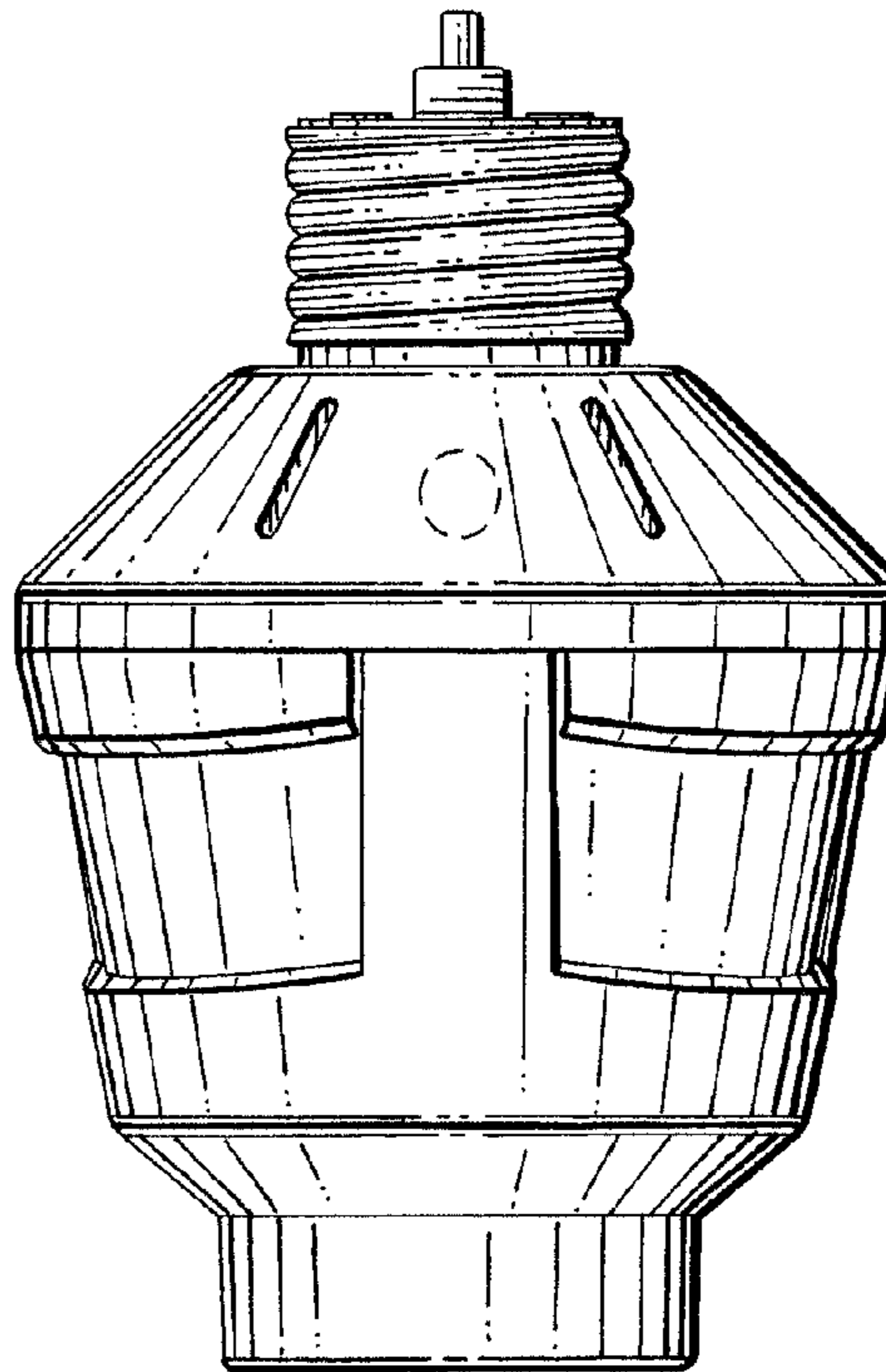
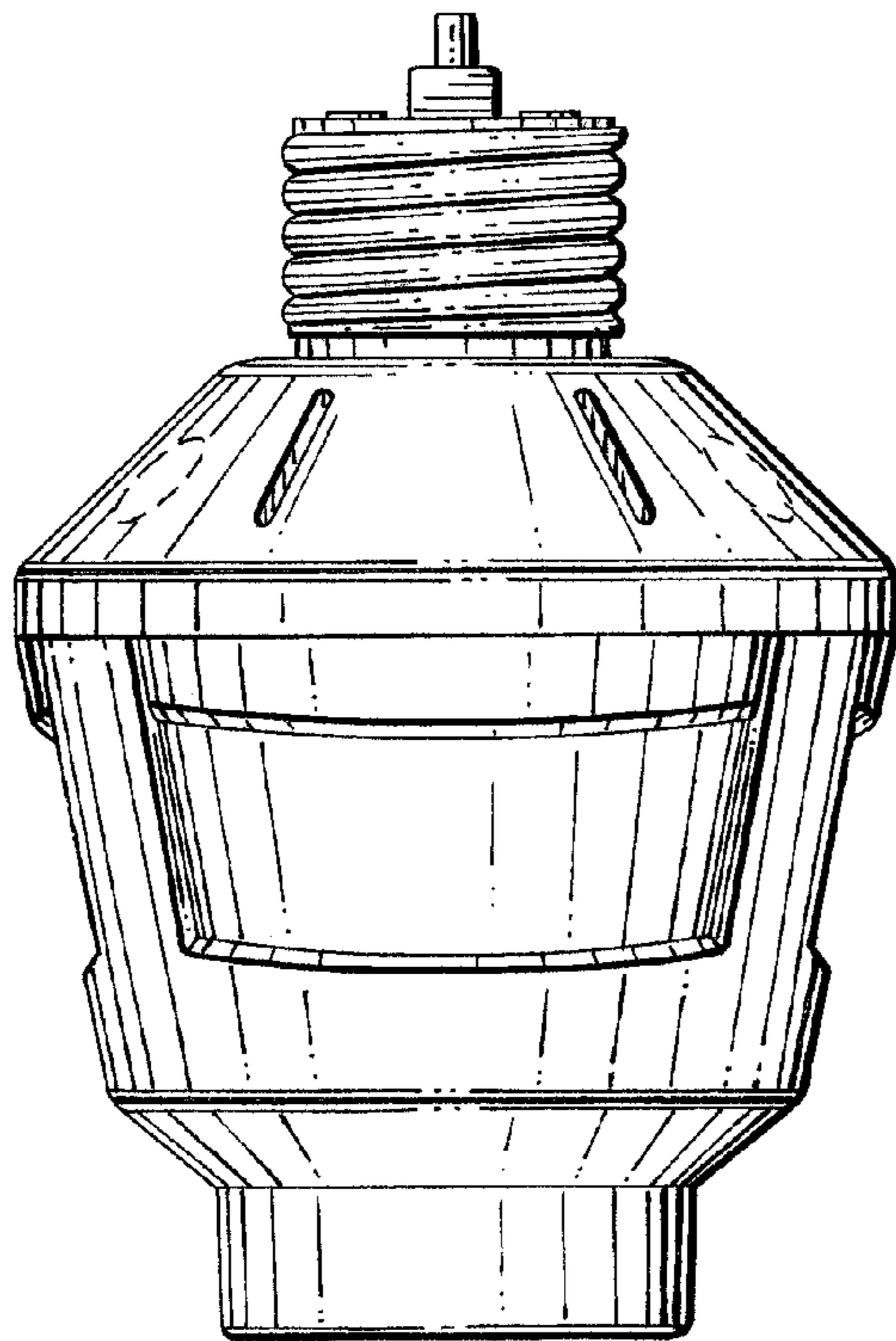


FIG. 1

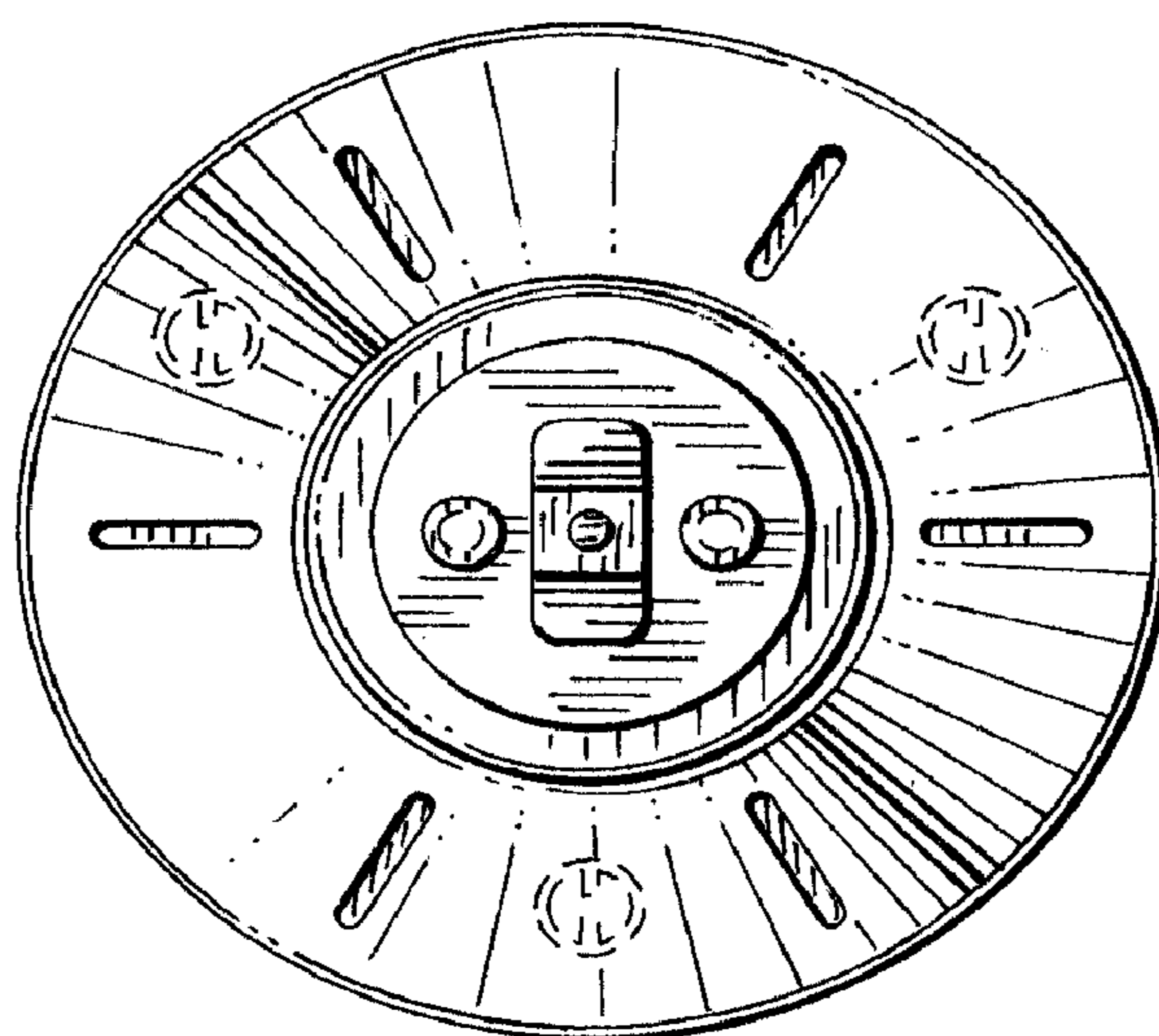
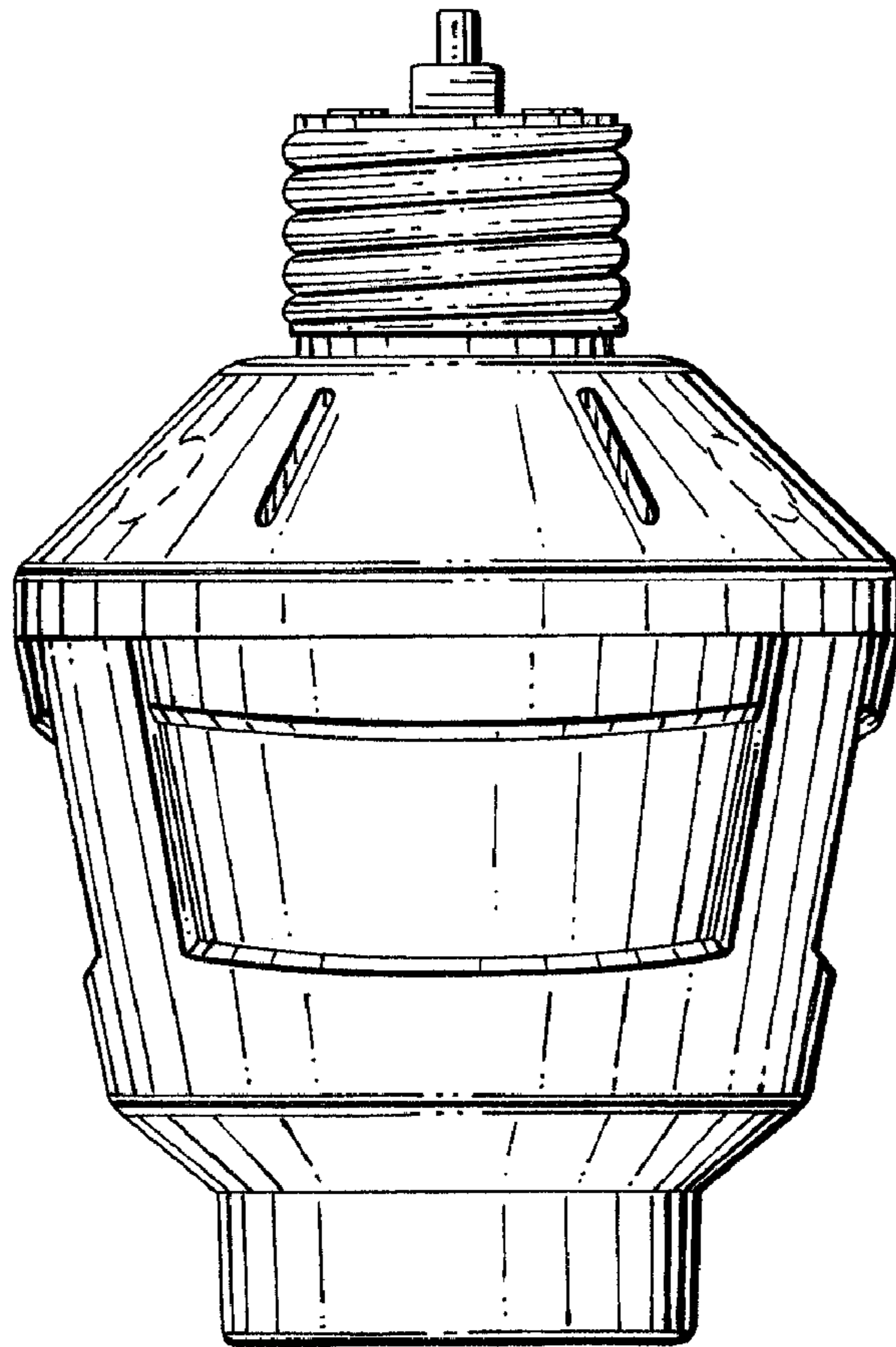


FIG. 2

FIG. 3

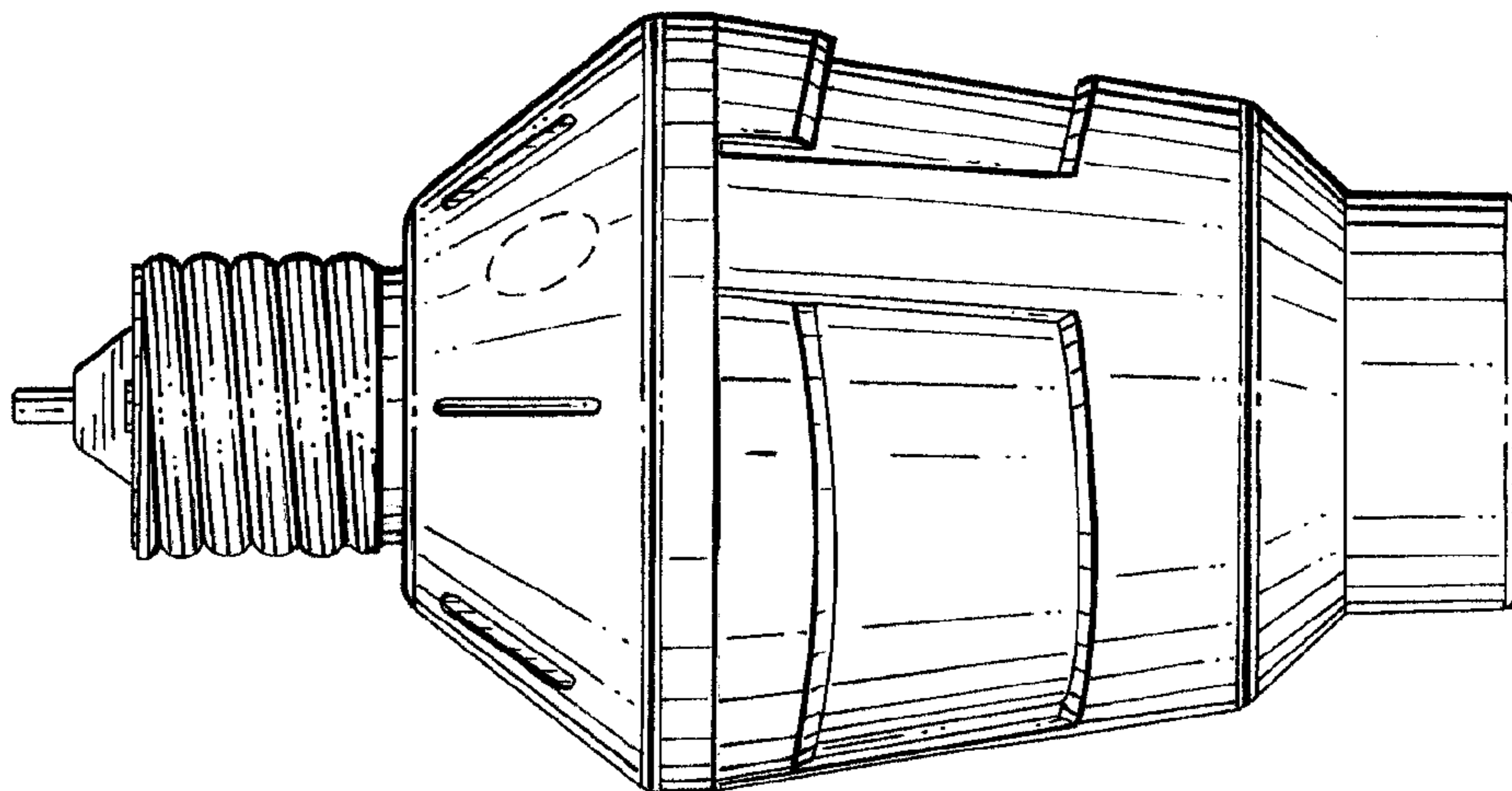
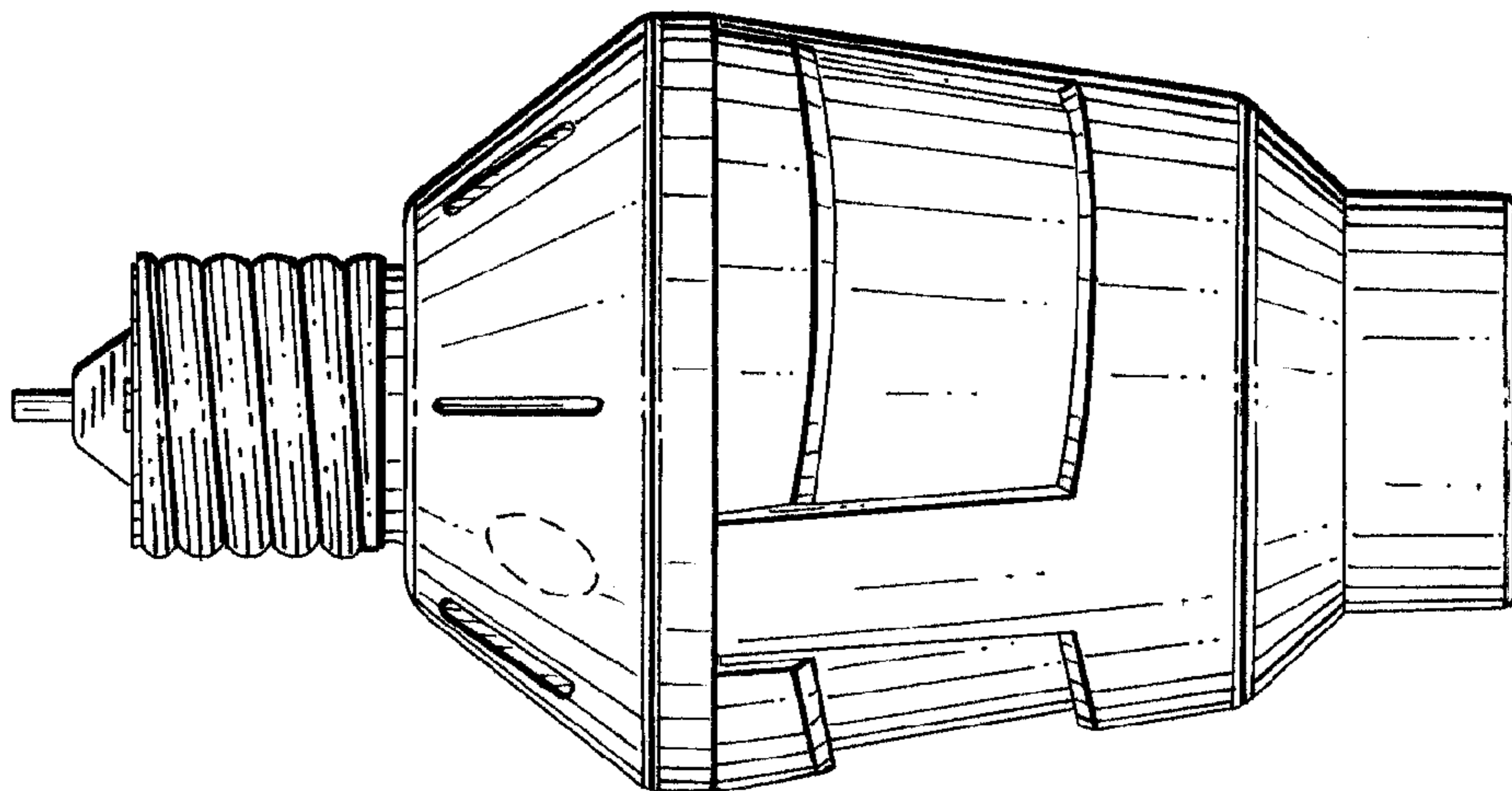


FIG. 4



FIG. 5

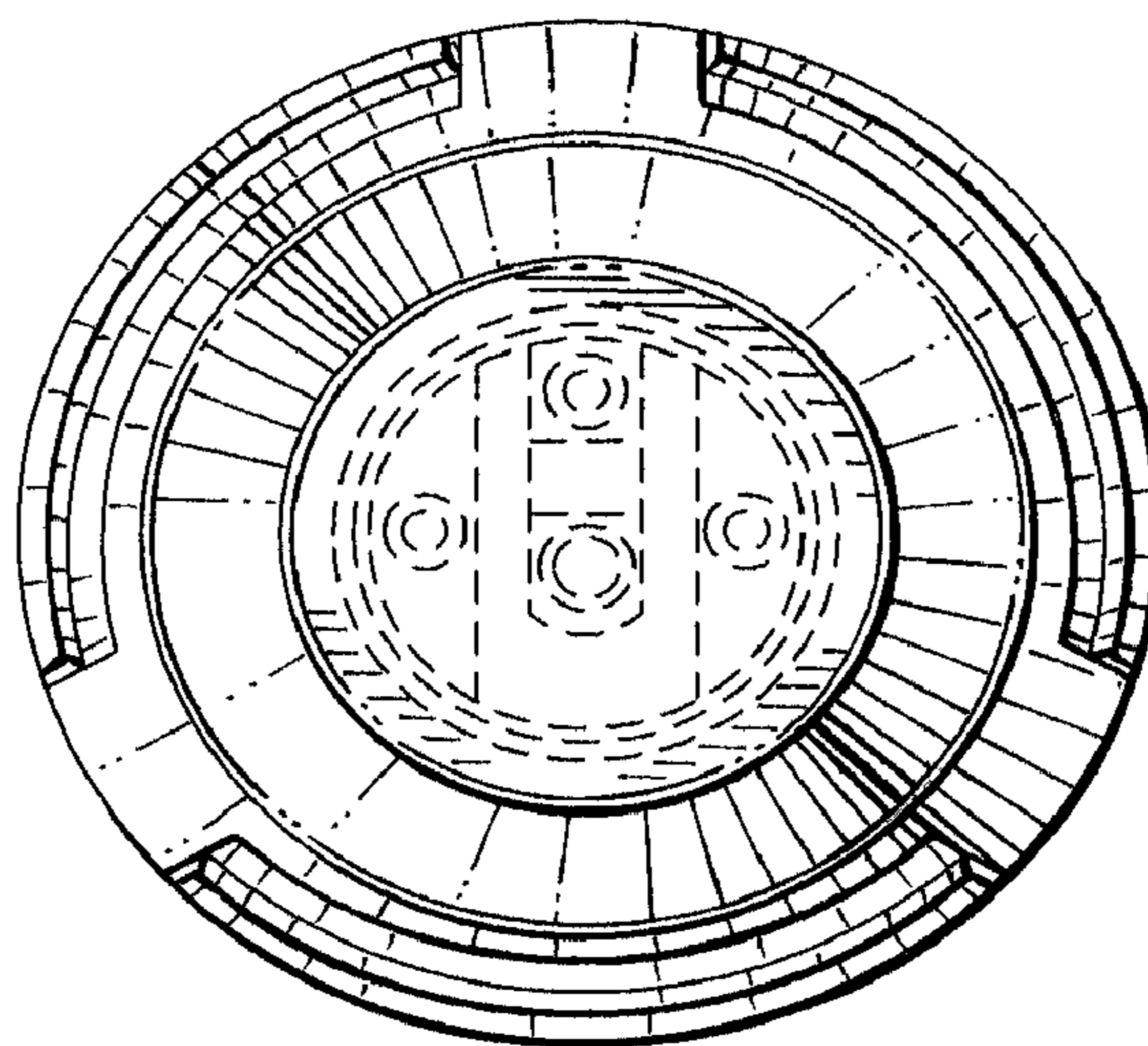
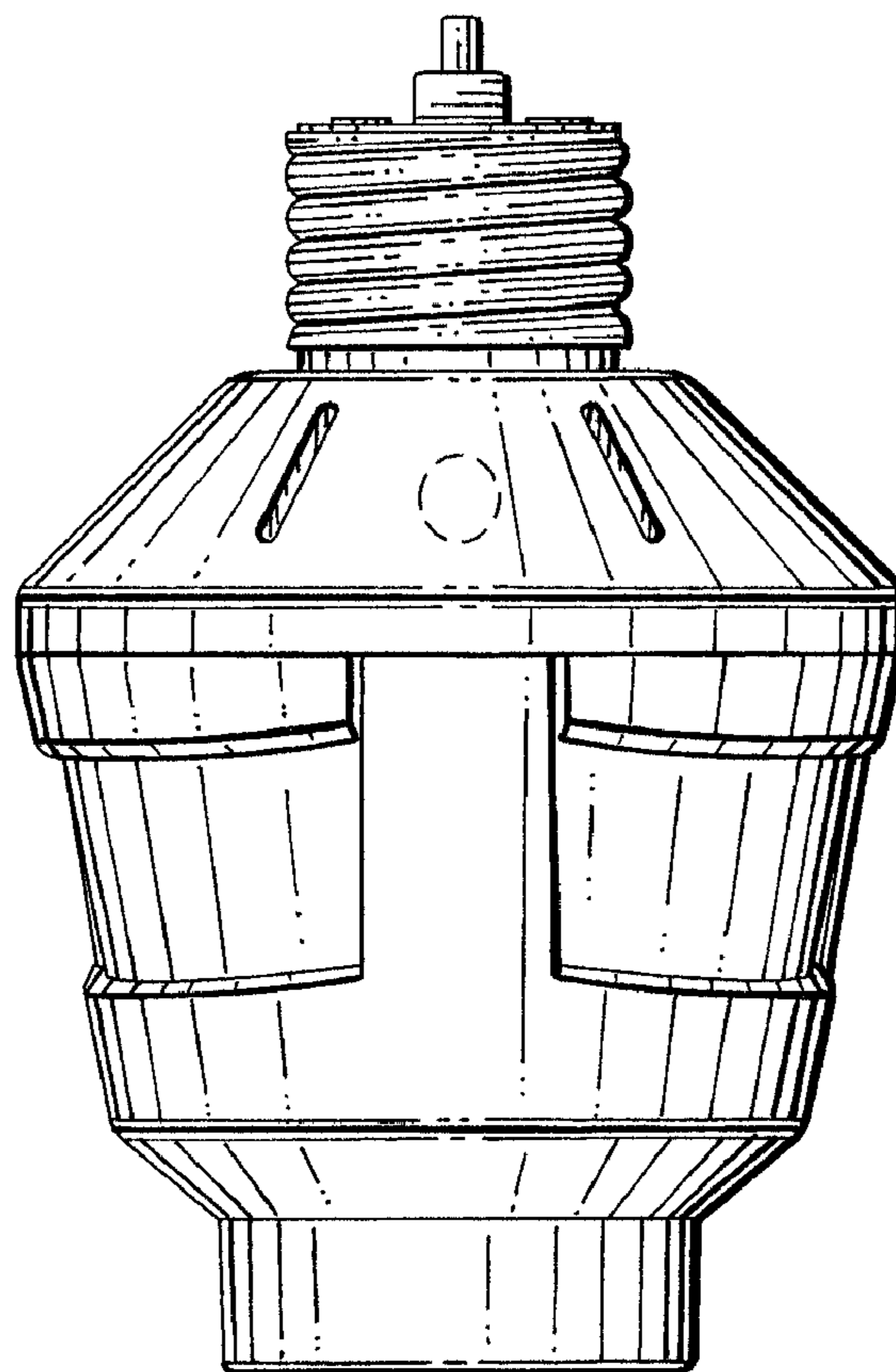


FIG. 6