



US00D664875S

(12) **United States Design Patent**
Sun et al.

(10) **Patent No.:** **US D664,875 S**

(45) **Date of Patent:** **** Aug. 7, 2012**

(54) **SMOKE ALARM**

(75) Inventors: **Chang Lin Sun**, Beijing (CN); **Zeng Tuan Xie**, Beijing (CN)

(73) Assignee: **Siemens Aktiengesellschaft**, Munich (DE)

(**) Term: **14 Years**

(21) Appl. No.: **29/394,284**

(22) Filed: **Jun. 15, 2011**

(30) **Foreign Application Priority Data**

Dec. 15, 2010 (CN) 2010 3 0679228

(51) **LOC (9) Cl.** **10-05**

(52) **U.S. Cl.** **D10/106.5**

(58) **Field of Classification Search** ... D10/106.2-106.5;
340/531, 540-545, 555, 558, 571-573, 556;
392/423; 362/276; 428/192; 134/21

See application file for complete search history.

(56) **References Cited**

U.S. PATENT DOCUMENTS

D355,386	S	*	2/1995	Fellmann	D10/106.5
D388,352	S	*	12/1997	Repp et al.	D10/106.5
D426,482	S	*	6/2000	Sakurai et al.	D10/106.5
D450,008	S	*	11/2001	Sakurai et al.	D10/106.5

* cited by examiner

Primary Examiner — Caron D Veynar

Assistant Examiner — George D Kirschbaum

(74) *Attorney, Agent, or Firm* — Laurence A. Greenberg;
Werner H. Stemer; Ralph E. Locher

(57) **CLAIM**

The ornamental design for a smoke alarm, as shown and described.

DESCRIPTION

FIG. 1 is a perspective view of the smoke detector showing my new design;

FIG. 2 is a right side elevation view thereof;

FIG. 3 is a left side elevation view thereof;

FIG. 4 is a front elevation view thereof;

FIG. 5 is a rear elevation view thereof; and,

FIG. 6 is a plan view thereof.

The bottom of the smoke detector is substantially unornamented. No claim is made to the bottom of the smoke detector.

1 Claim, 3 Drawing Sheets

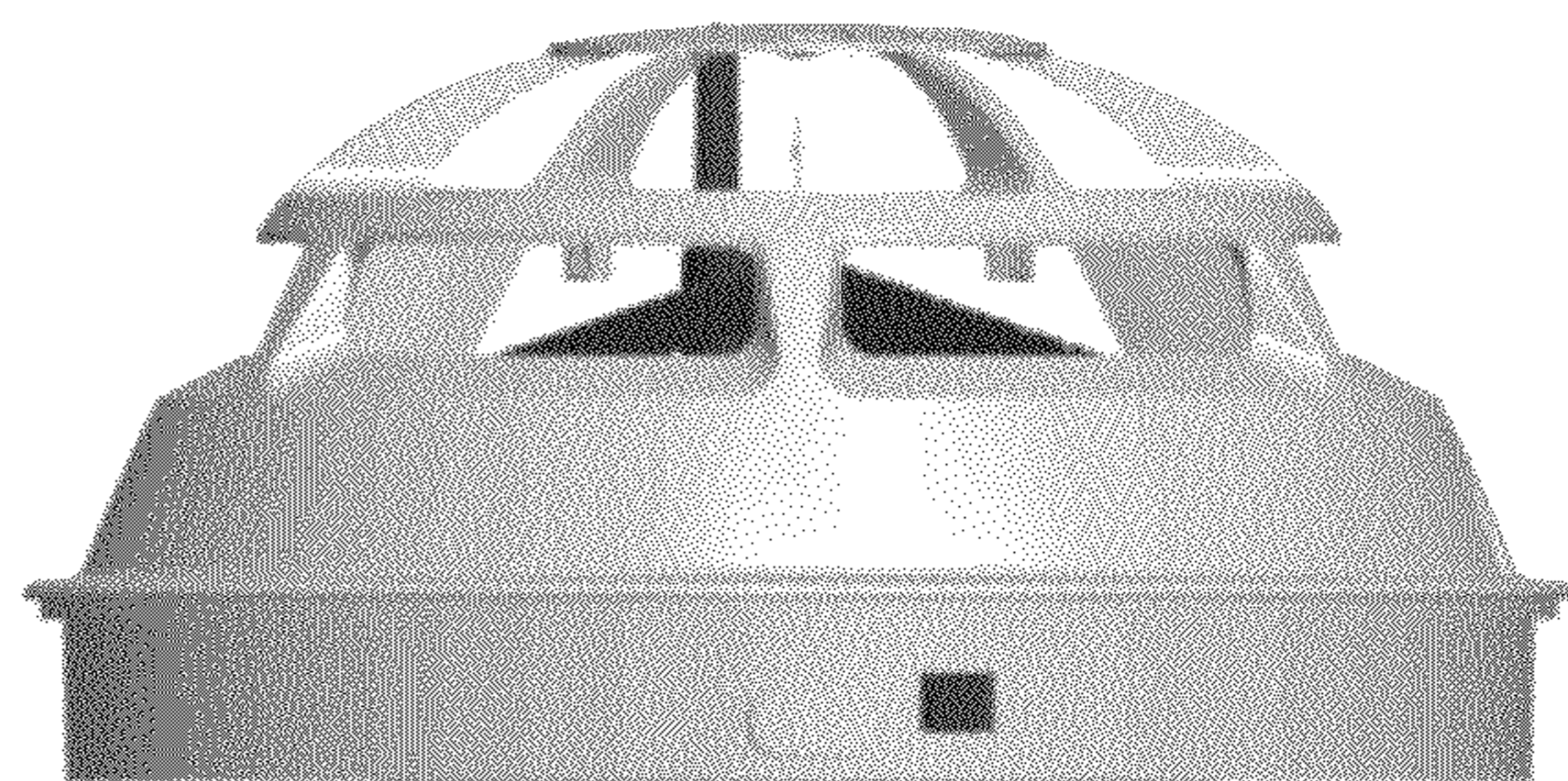
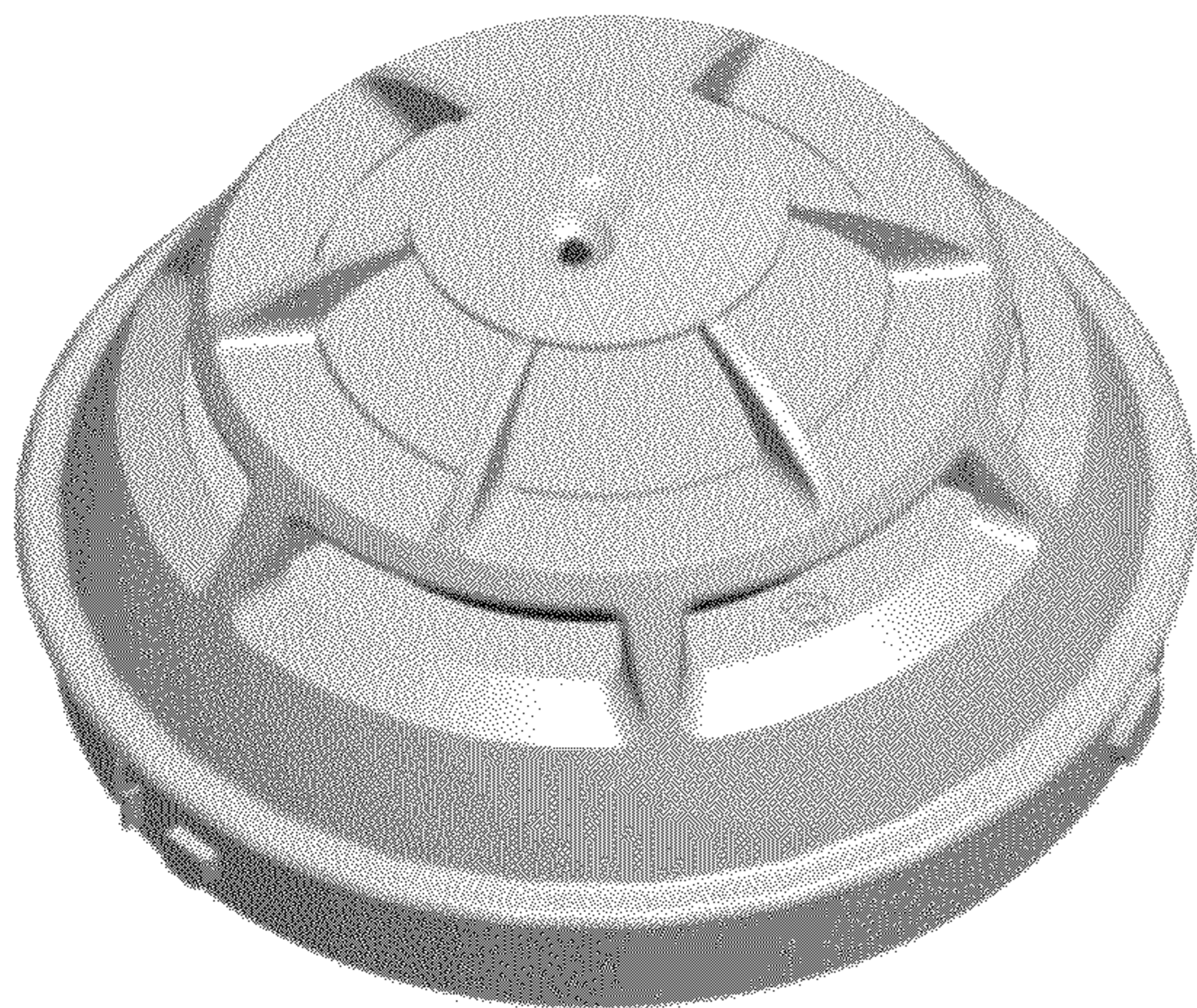


FIG. 1

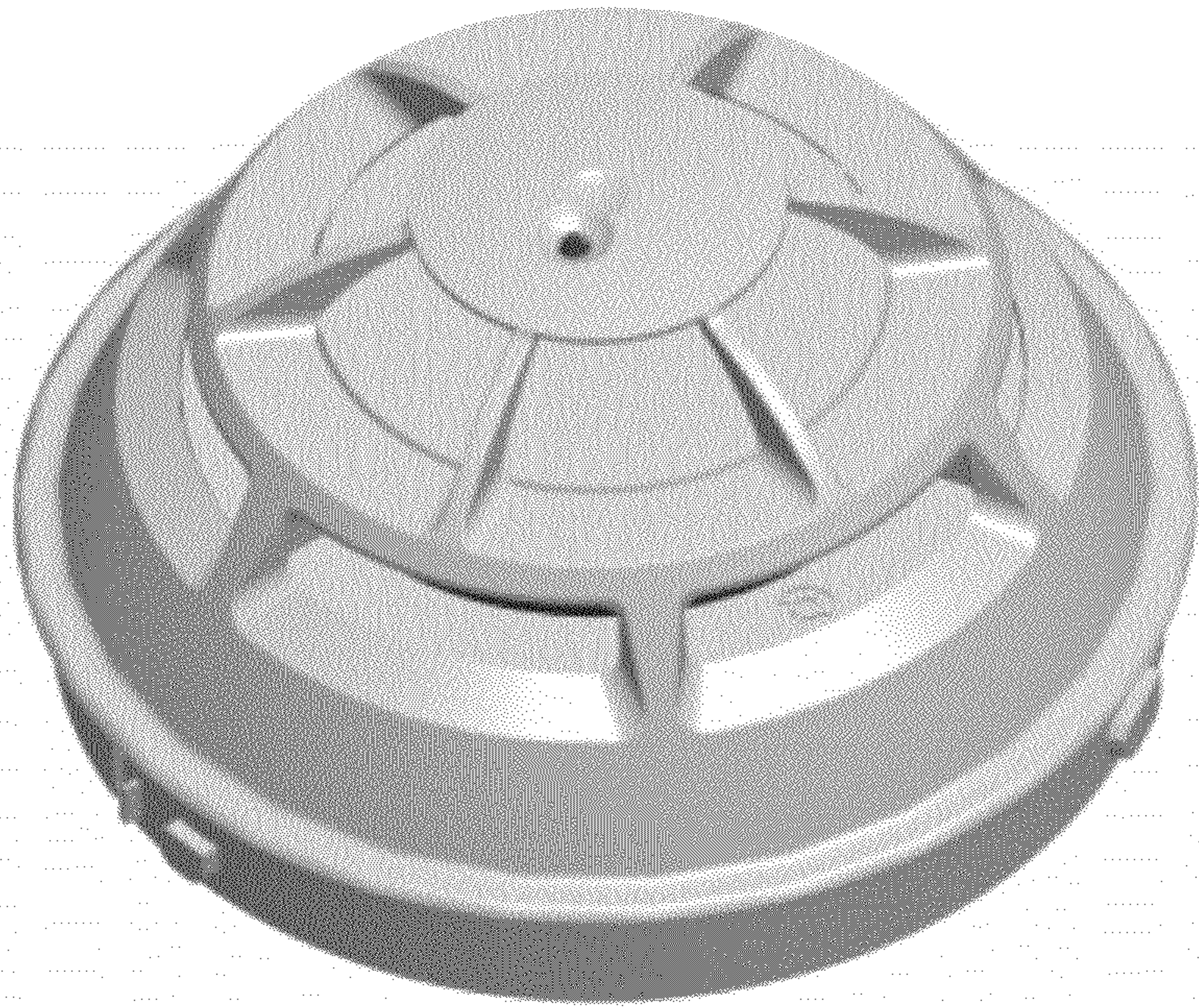


FIG. 2

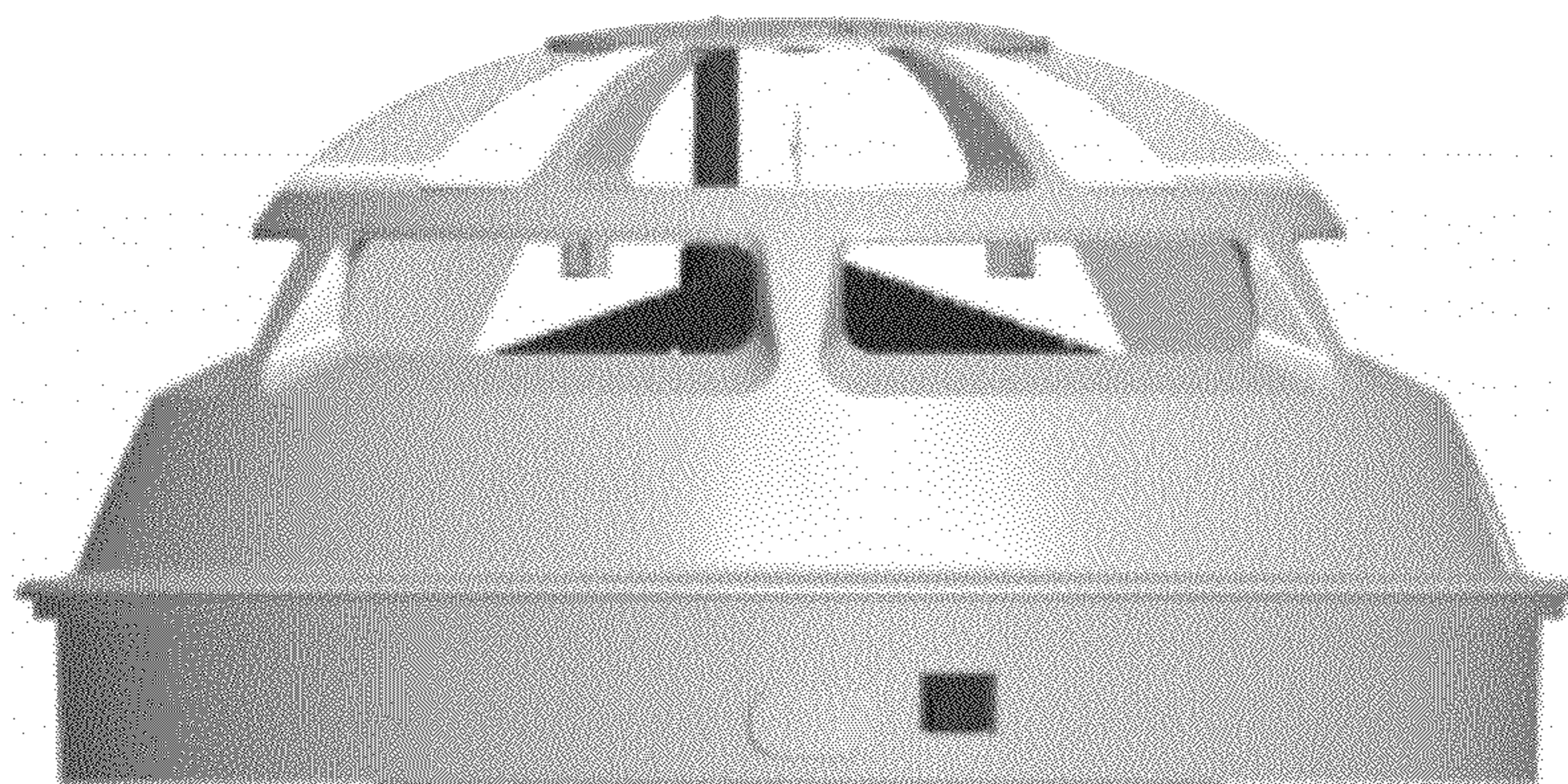


FIG. 3

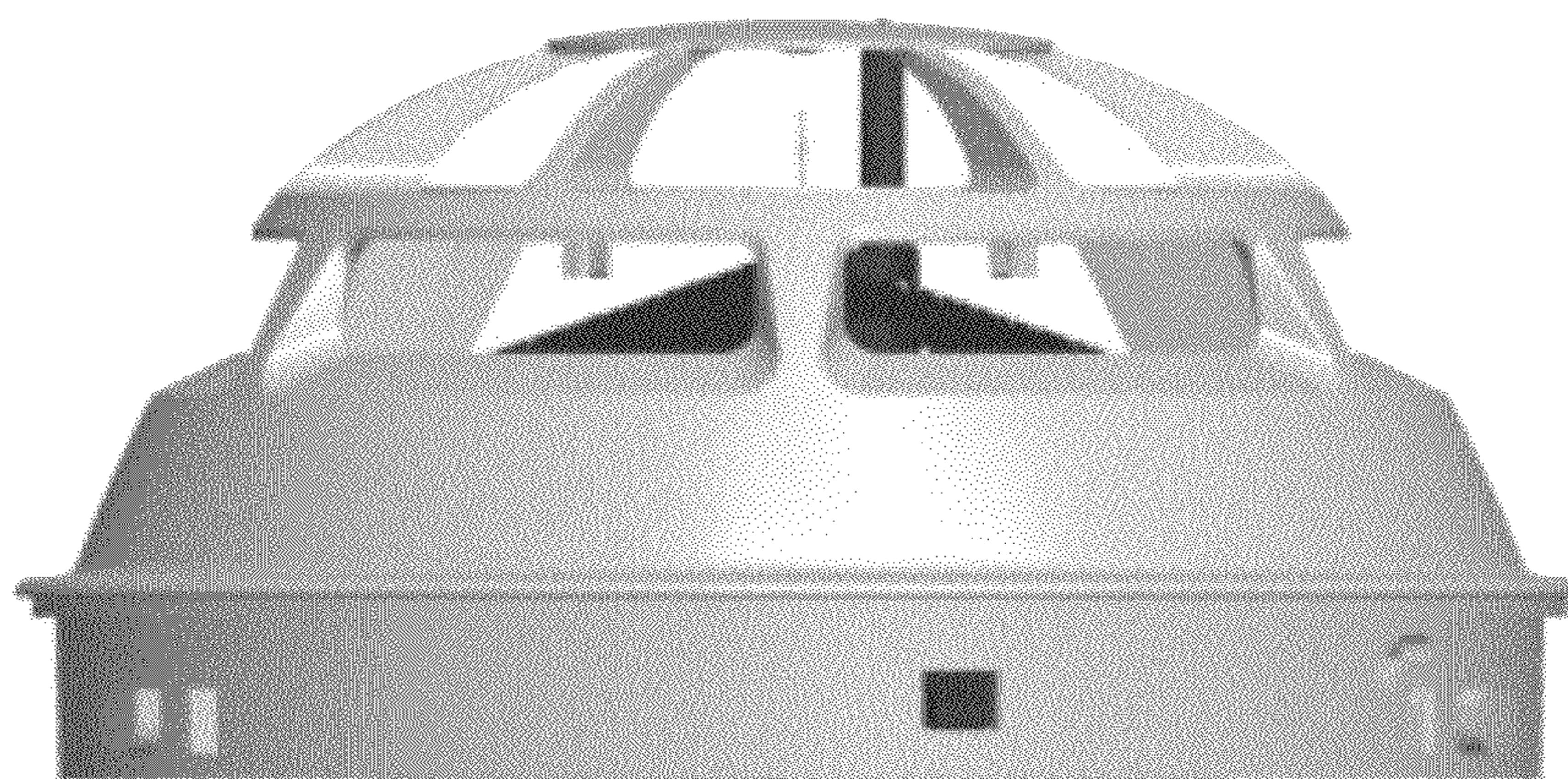


FIG. 4

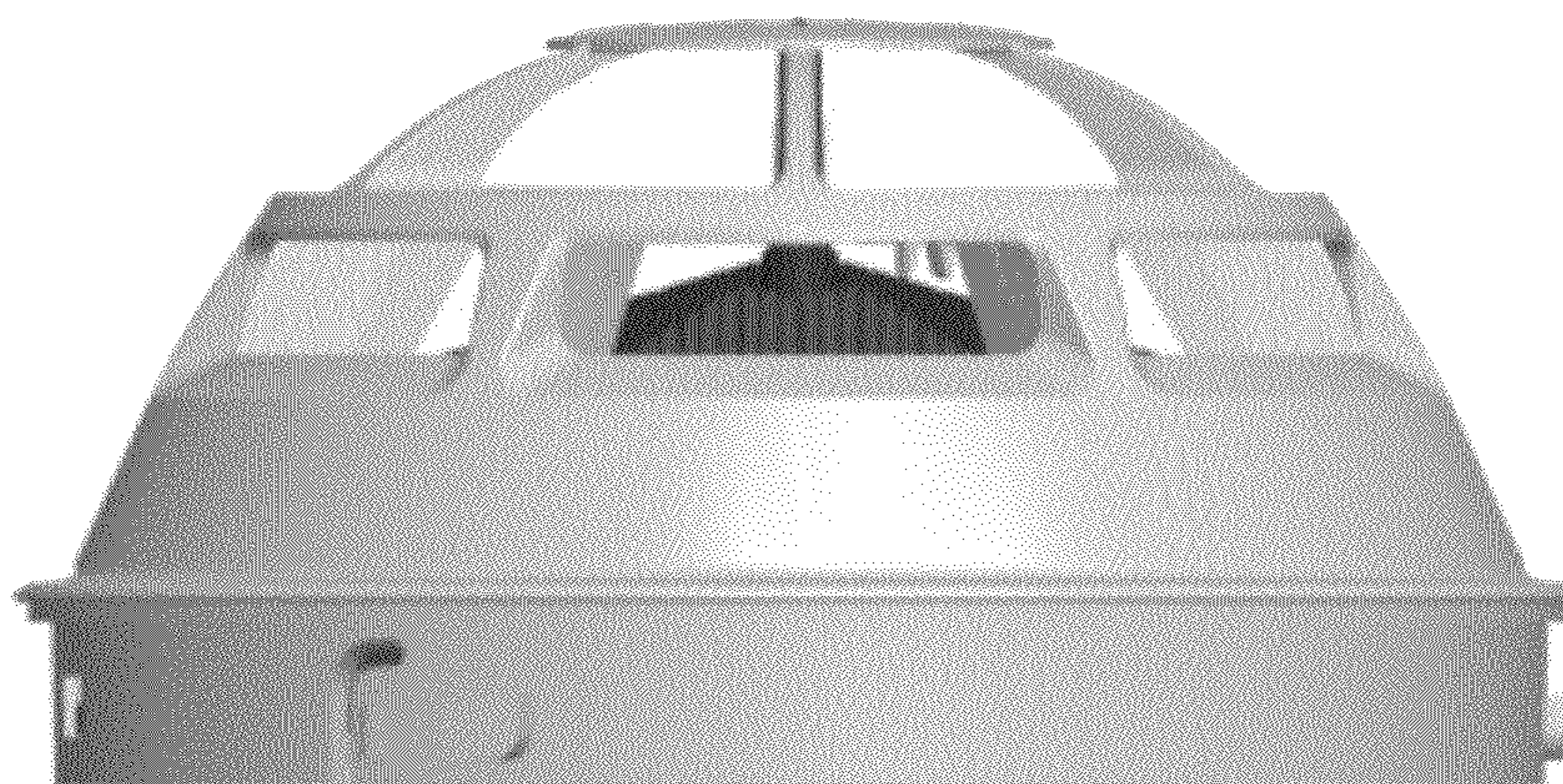


FIG. 5

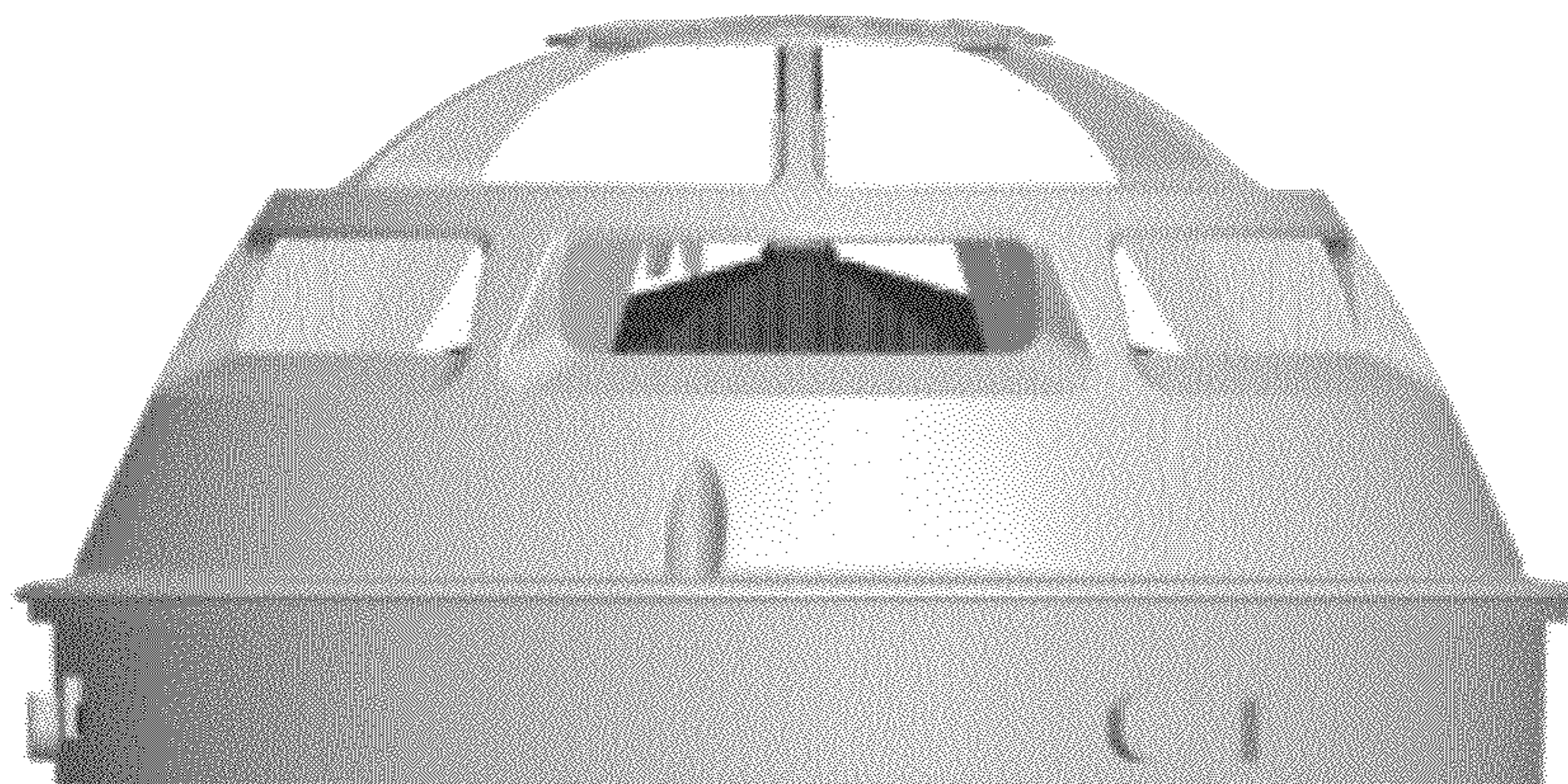


FIG. 6

