



US00D664870S

(12) **United States Design Patent**
Bellin et al.

(10) **Patent No.:** **US D664,870 S**

(45) **Date of Patent:** **** Aug. 7, 2012**

(54) **COVER FOR AN ELECTRIC DEVICE**

(75) Inventors: **Russell D. Bellin**, Los Angeles, CA
(US); **Reiko Abo**, Westlake Village, CA
(US); **Tylor Garland**, Los Angeles, CA
(US)

(73) Assignee: **Church of Spiritual Technology**, Los Angeles, CA (US)

(**) Term: **14 Years**

(21) Appl. No.: **29/403,053**

(22) Filed: **Sep. 30, 2011**

Related U.S. Application Data

(60) Continuation of application No. 29/277,619, filed on Mar. 2, 2007, now Pat. No. Des. 649,074, which is a division of application No. 29/249,102, filed on Sep. 20, 2006, now abandoned, which is a continuation of application No. 29/251,728, filed on Jan. 11, 2006, now abandoned, which is a division of application No. 29/202,306, filed on Mar. 30, 2004, now abandoned.

(51) **LOC (9) Cl.** **10-04**

(52) **U.S. Cl.** **D10/81**

(58) **Field of Classification Search** D10/46,
D10/81, 103; 338/13, 28, 334; 364/482;
434/236, 262; 600/547-548

See application file for complete search history.

(56) **References Cited**

U.S. PATENT DOCUMENTS

D309,867 S 8/1990 Johnson
5,860,935 A 1/1999 Blaszyński
D651,925 S * 1/2012 Faulkner et al. D10/81
2001/0018561 A1 8/2001 Tanida
2005/0181341 A1 8/2005 Ewing

* cited by examiner

Primary Examiner — Antoine D Davis

(74) *Attorney, Agent, or Firm* — Seldon & Scillieri

(57) **CLAIM**

The ornamental design for a cover for an electric device, as shown and described.

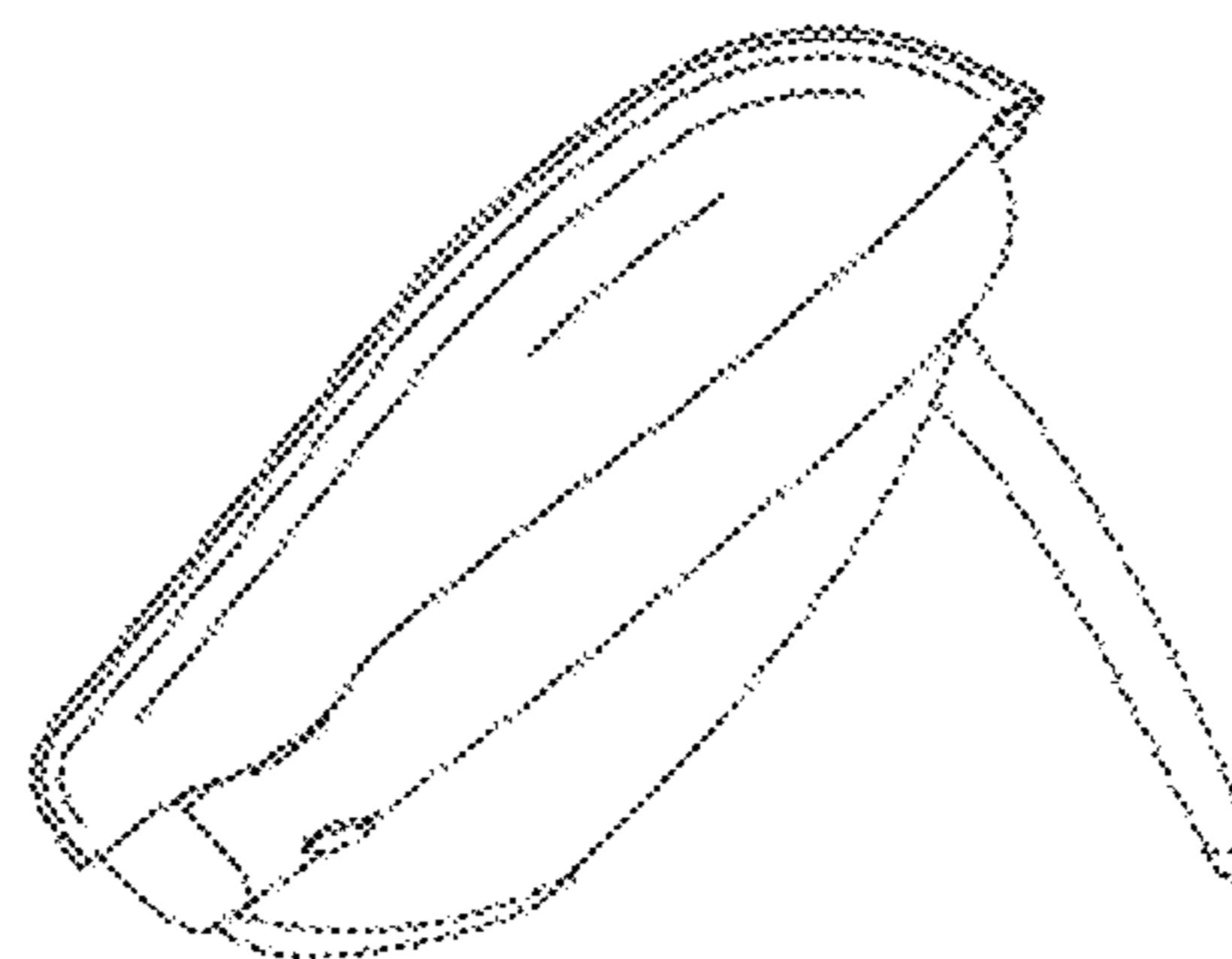
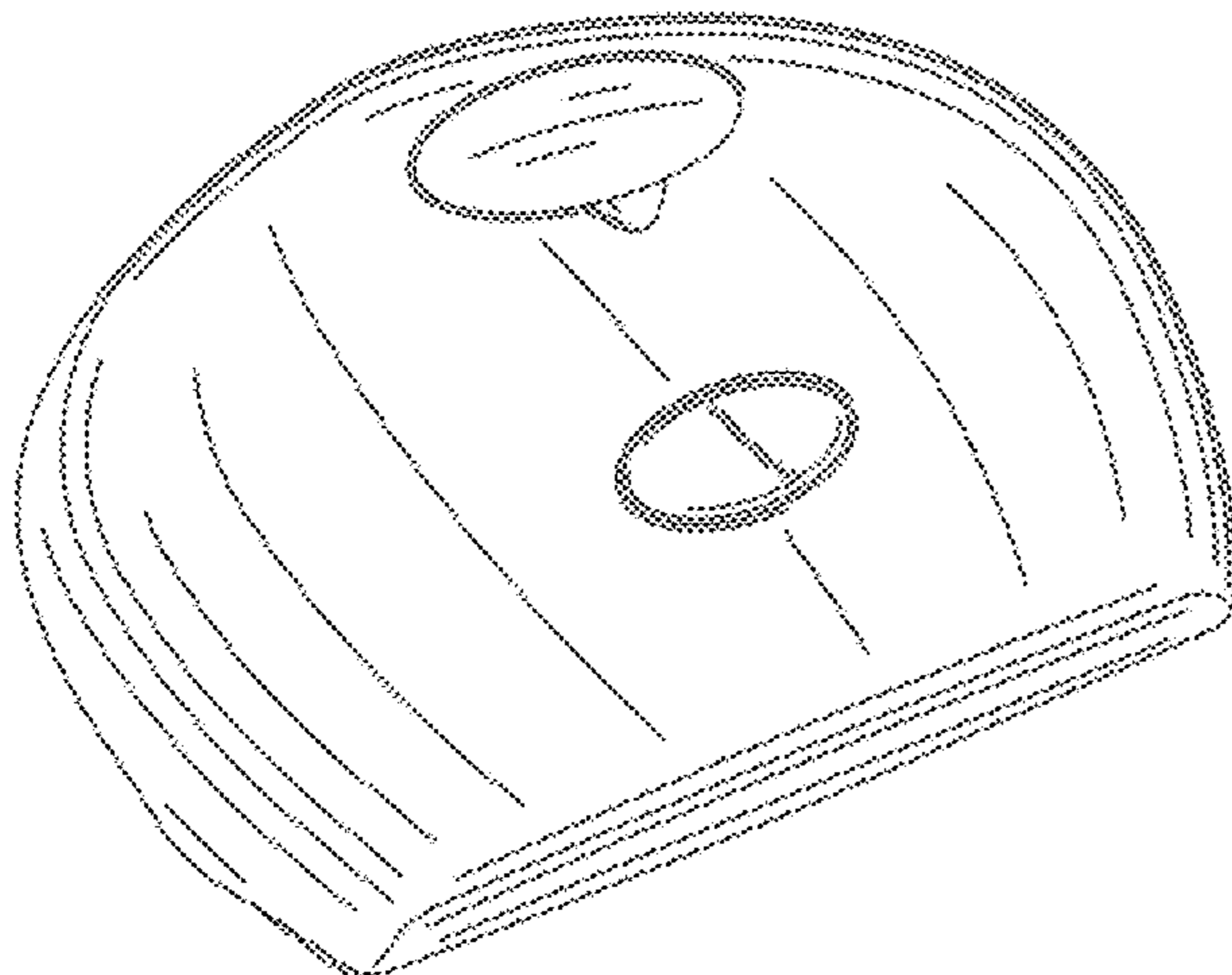
DESCRIPTION

FIG. 1 is a left front perspective view of a cover for an electric device in accordance with the present invention; FIG. 2 is a right side elevation view thereof with the position of a covered electric device shown in broken lines; FIG. 3 is a top plan view thereof; FIG. 4 is a right front perspective view thereof; FIG. 5 is a front elevation view thereof; FIG. 6 is a bottom plan view thereof; FIG. 7 is a rear elevation view thereof; and, FIG. 8 is a left rear perspective view thereof.

The covered electric device may, for example, be a meter such as a meter for indicating changes in the resistance of a living body. An example of a covered electric device is illustrated in FIGS. 2-4 and 6 in broken lines rather than solid lines.

The elements illustrated in broken lines in FIGS. 2-4 and 6-8 do not form part of the claimed design.

1 Claim, 4 Drawing Sheets



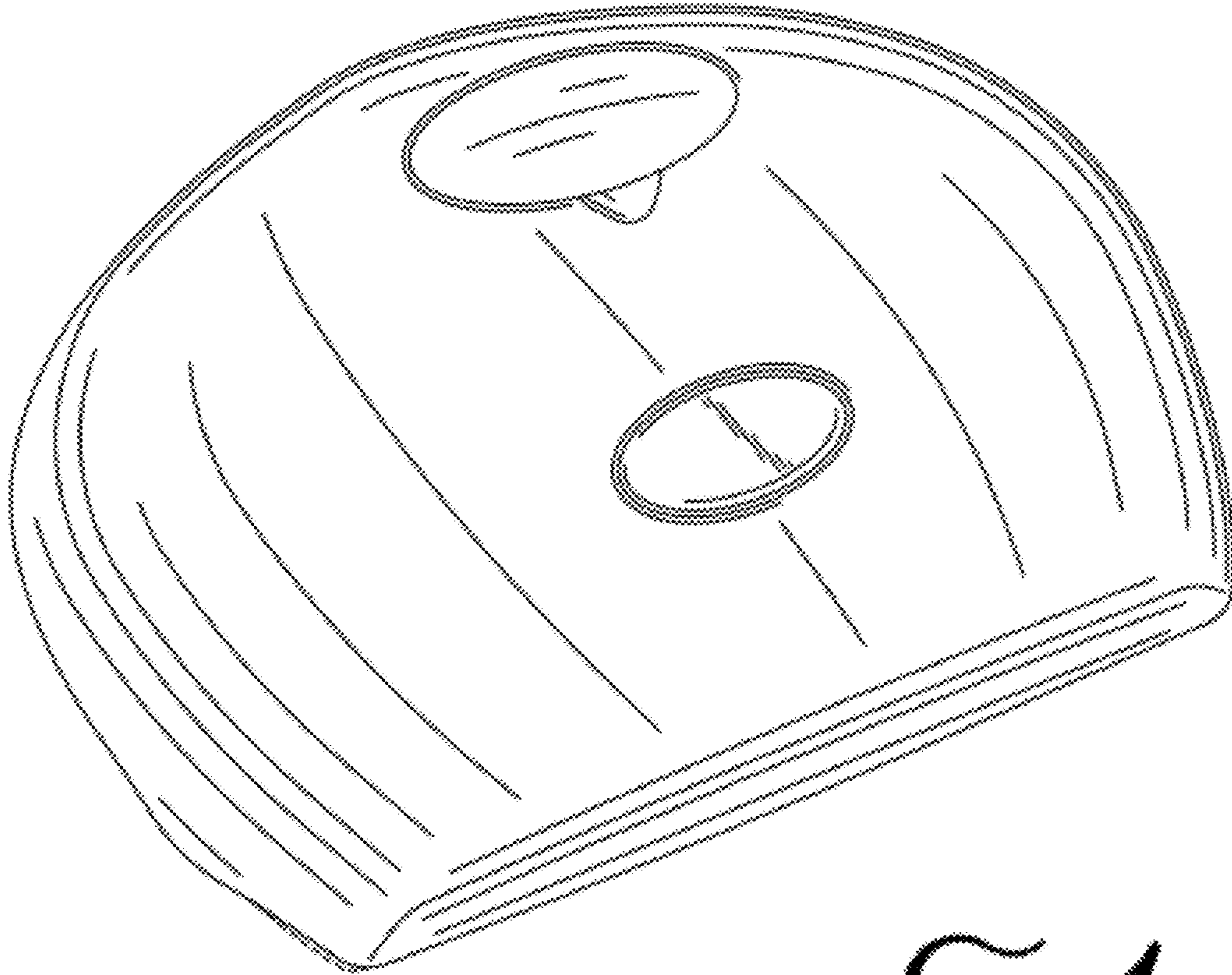


FIG. 1

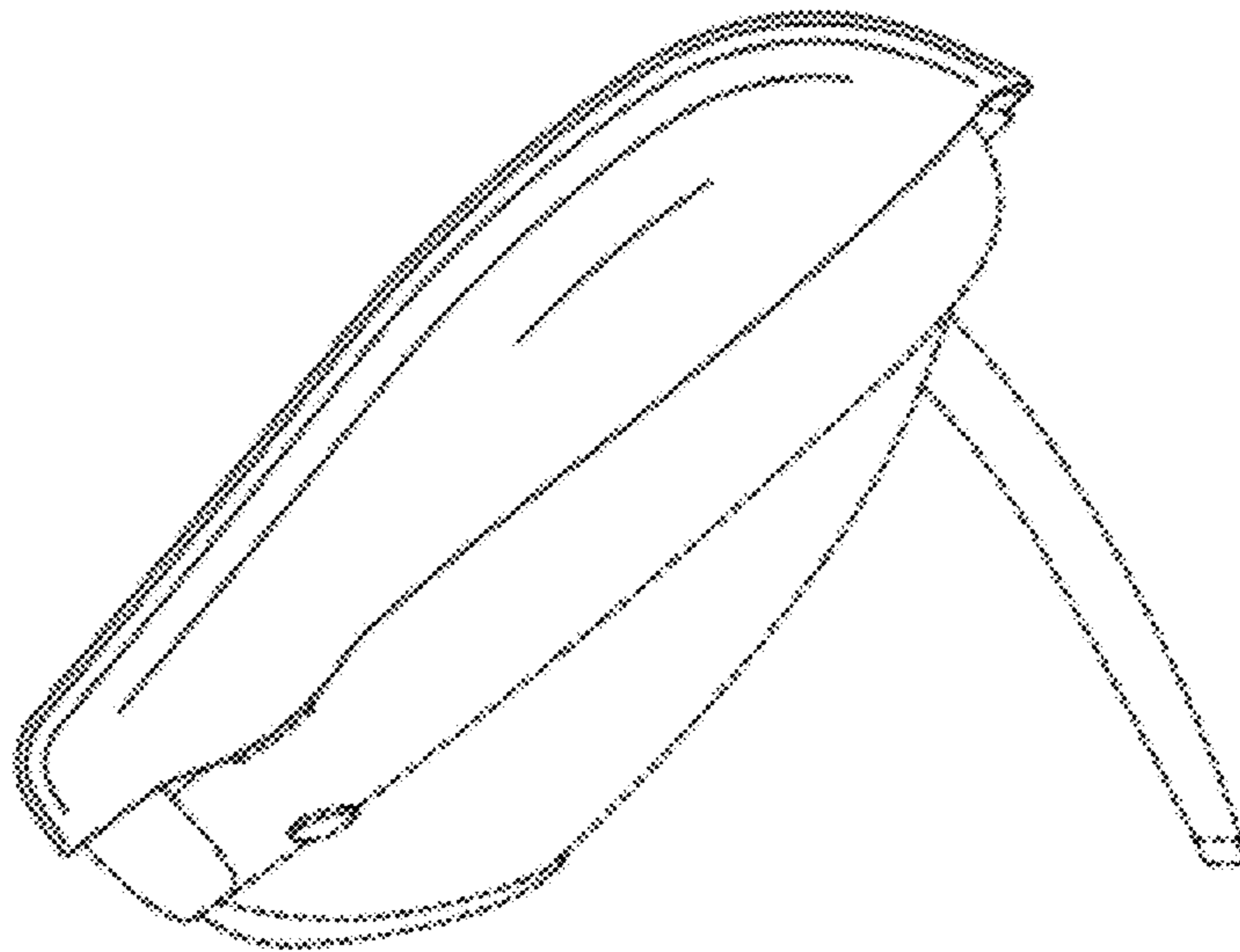


FIG. 2

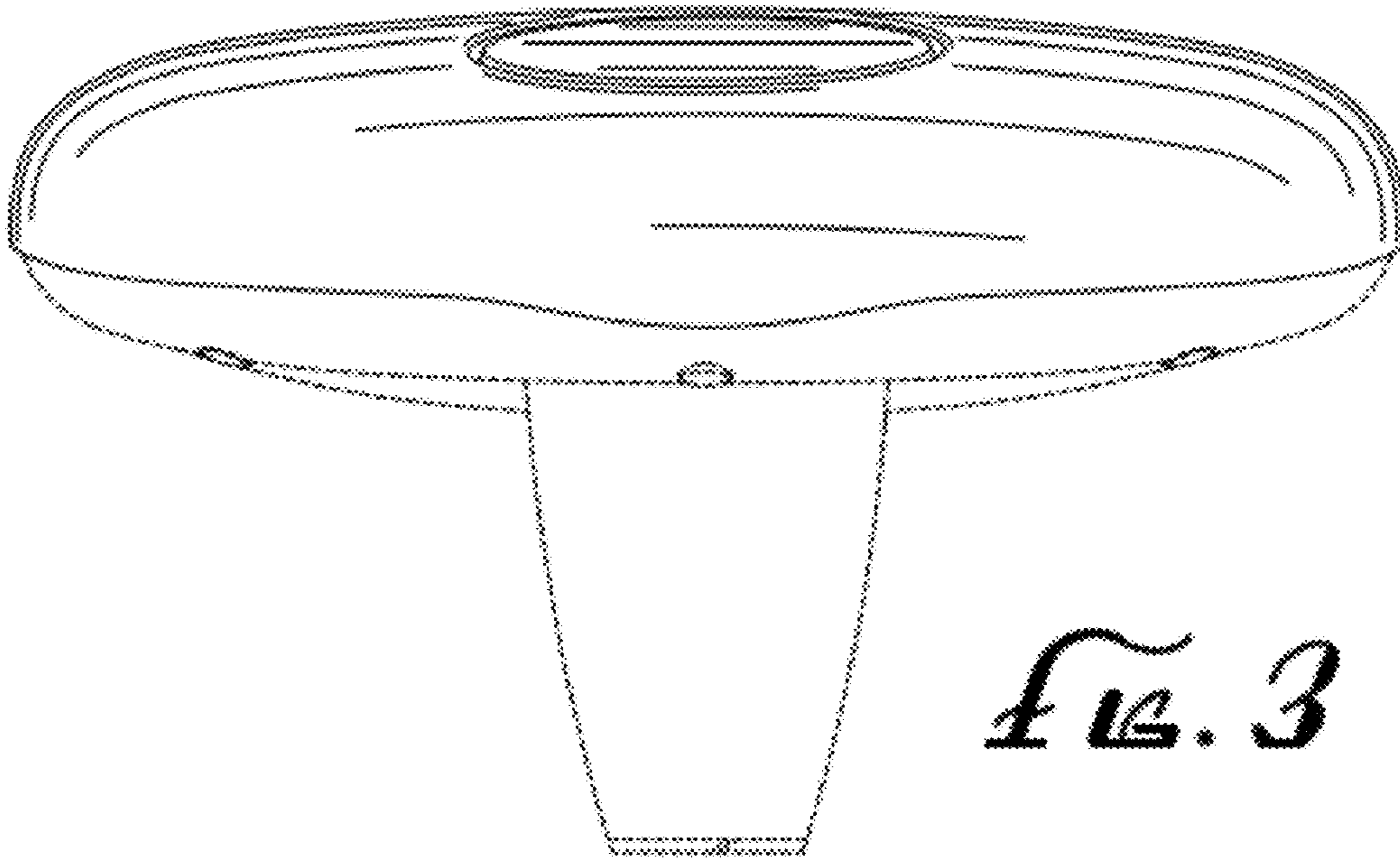


FIG. 3

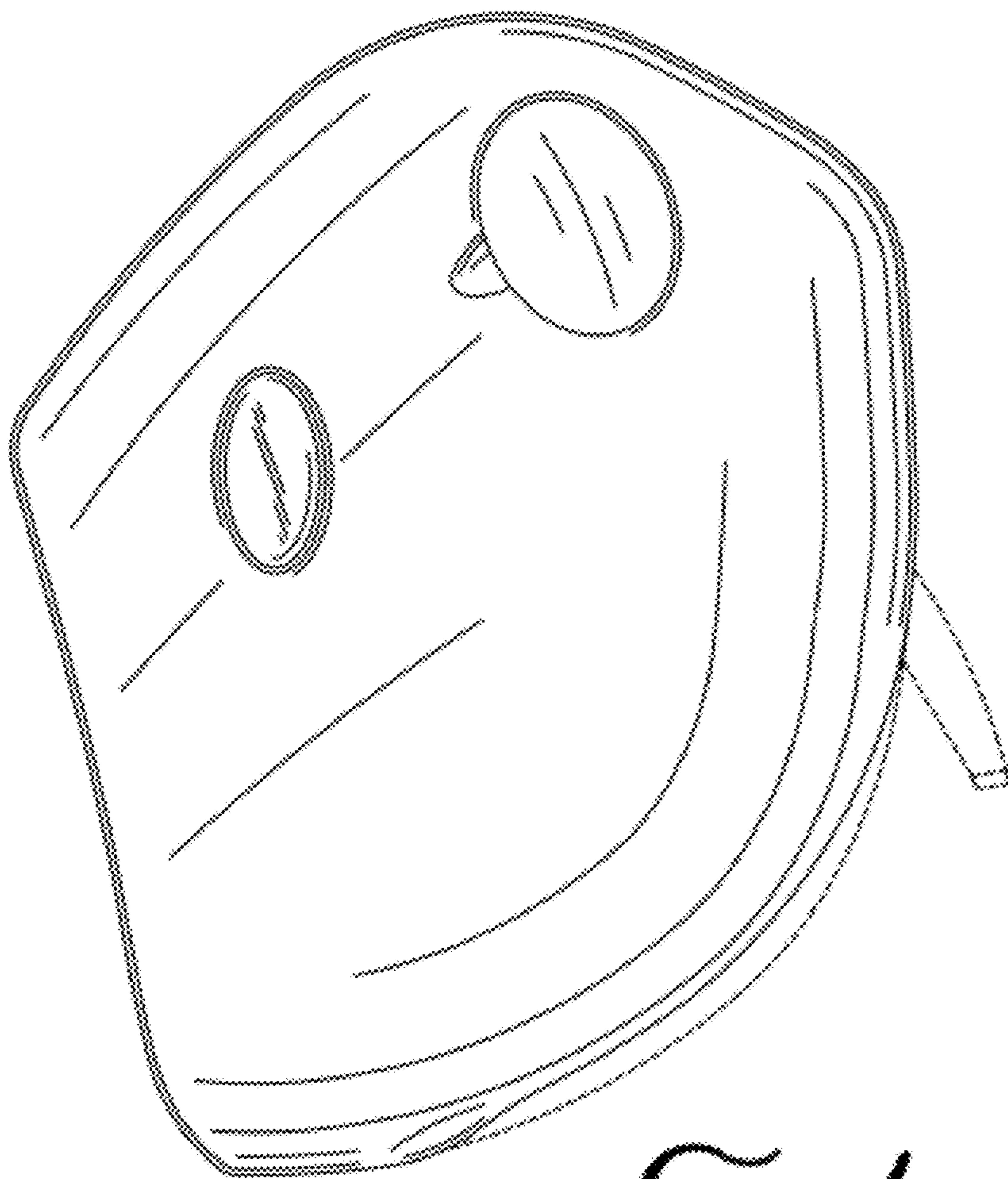


FIG. 4

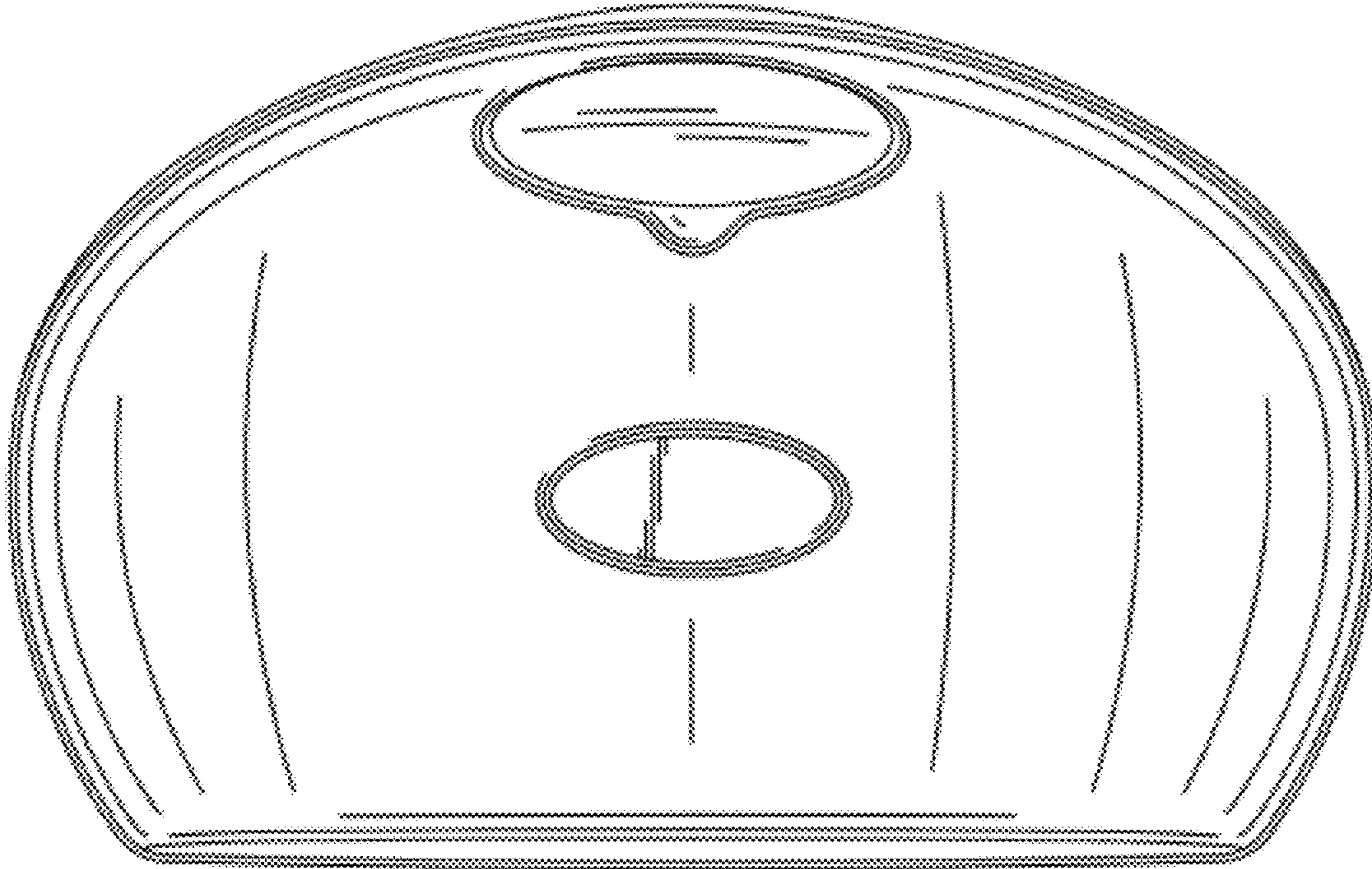


FIG. 5

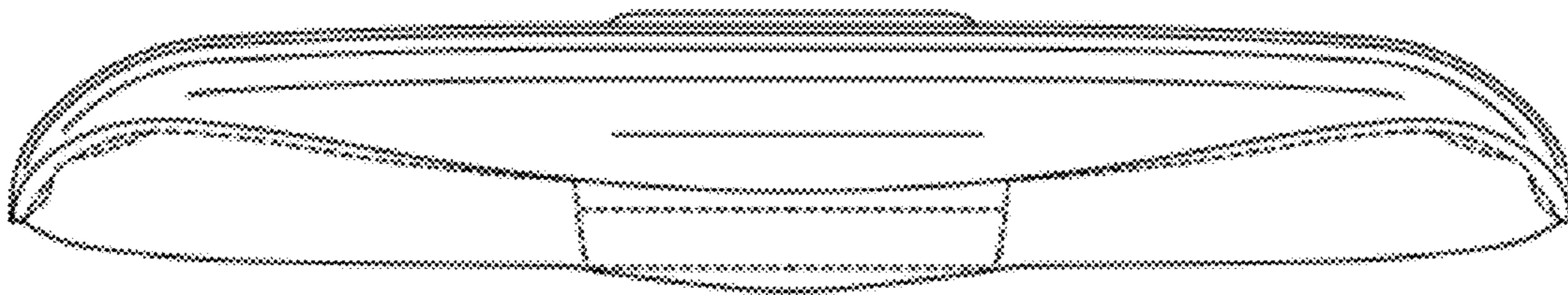


FIG. 6

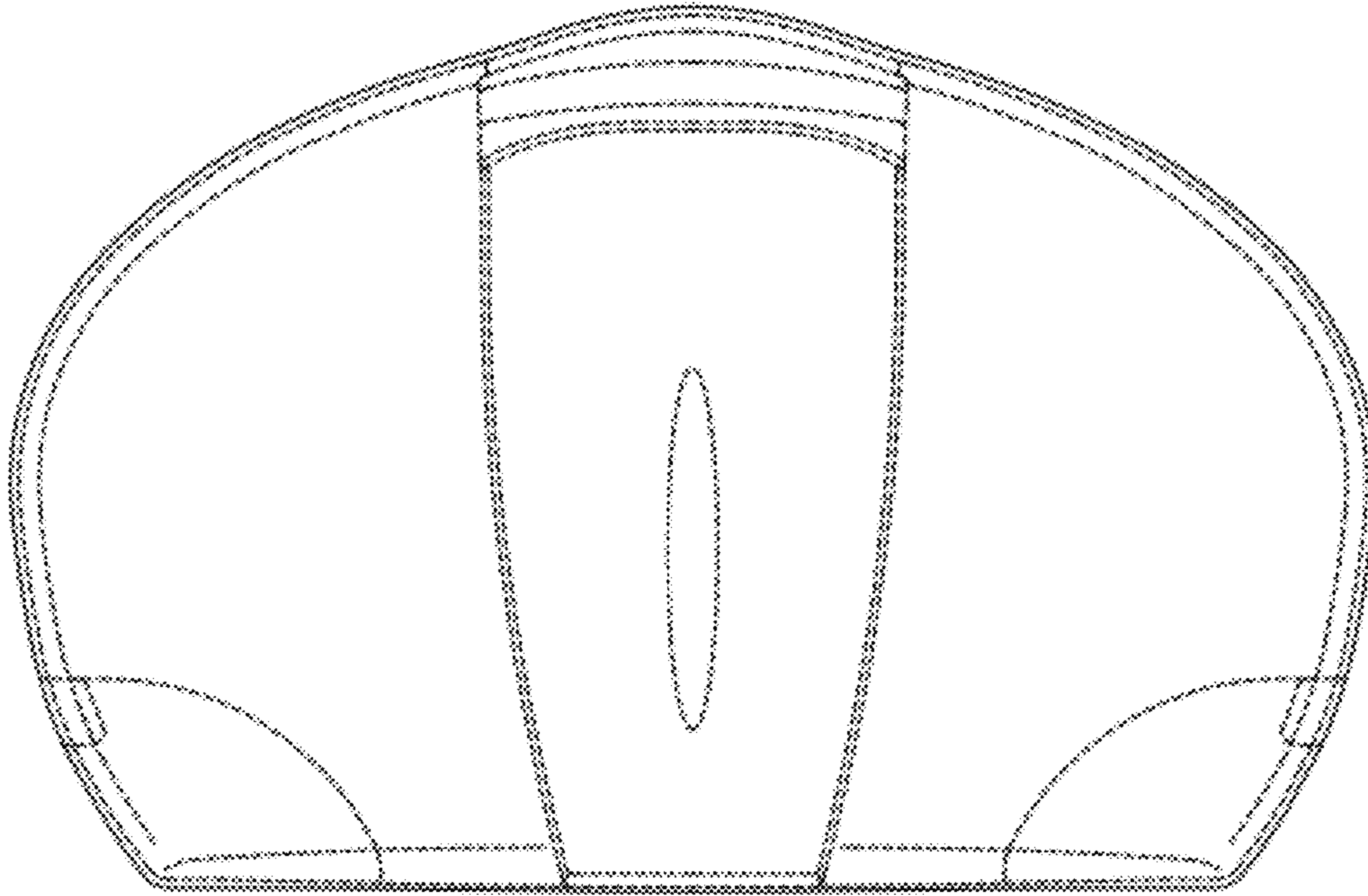


FIG. 7

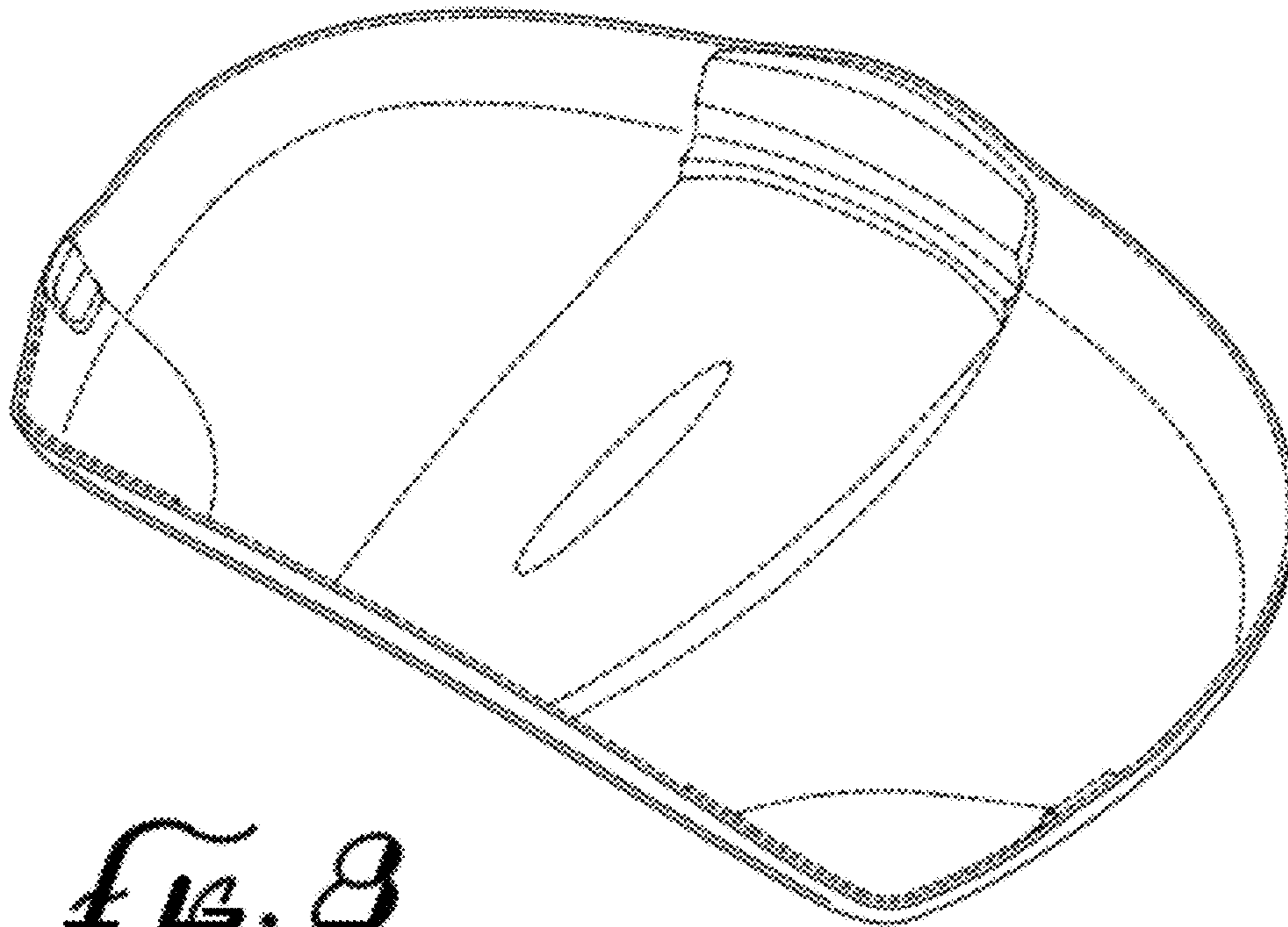


FIG. 8