

US00D664869S

(12) **United States Design Patent**  
**Nishimoto**

(10) **Patent No.:** **US D664,869 S**

(45) **Date of Patent:** **\*\* Aug. 7, 2012**

(54) **PORTION OF A CARTRIDGE FOR AN ION DENSITY MEASURING INSTRUMENT**

U.S. Appl. No. 29/385,952, filed Feb. 23, 2011, Nishimoto.  
U.S. Appl. No. 29/385,955, filed Feb. 23, 2011, Nishimoto.

(75) Inventor: **Hideaki Nishimoto**, Fukuoka (JP)

\* cited by examiner

(73) Assignee: **Hitachi Chemical Company, Ltd.**,  
Tokyo (JP)

*Primary Examiner* — Antoine D Davis

(74) *Attorney, Agent, or Firm* — Antonelli, Terry, Stout & Kraus, LLP.

(\*\*) Term: **14 Years**

(21) Appl. No.: **29/385,944**

(57) **CLAIM**

The ornamental design for a portion of a cartridge for an ion density measuring instrument, as shown and described.

(22) Filed: **Feb. 23, 2011**

(30) **Foreign Application Priority Data**

**DESCRIPTION**

Aug. 23, 2010 (JP) ..... D2010-020326

(51) **LOC (9) Cl.** ..... **10-04**

(52) **U.S. Cl.** ..... **D10/81**

(58) **Field of Classification Search** ..... D10/81;  
216/61; 257/396; 438/8, 14, 706, 714  
See application file for complete search history.

FIG. 1 is a front elevational view of a portion of a cartridge for an ion density measuring instrument showing my new design; FIG. 2 is a rear elevational view thereof; FIG. 3 is a top plan view thereof; FIG. 4 is a bottom plan view thereof; FIG. 5 is a right side elevational view thereof; and, FIG. 6 is a left side elevational view thereof; and FIG. 7 is a top, left and front side perspective view thereof; and, FIG. 8 is a bottom, right and front side perspective view thereof.

The broken lines shown are for illustrative purposes only and form no part of the claimed design.

(56) **References Cited**

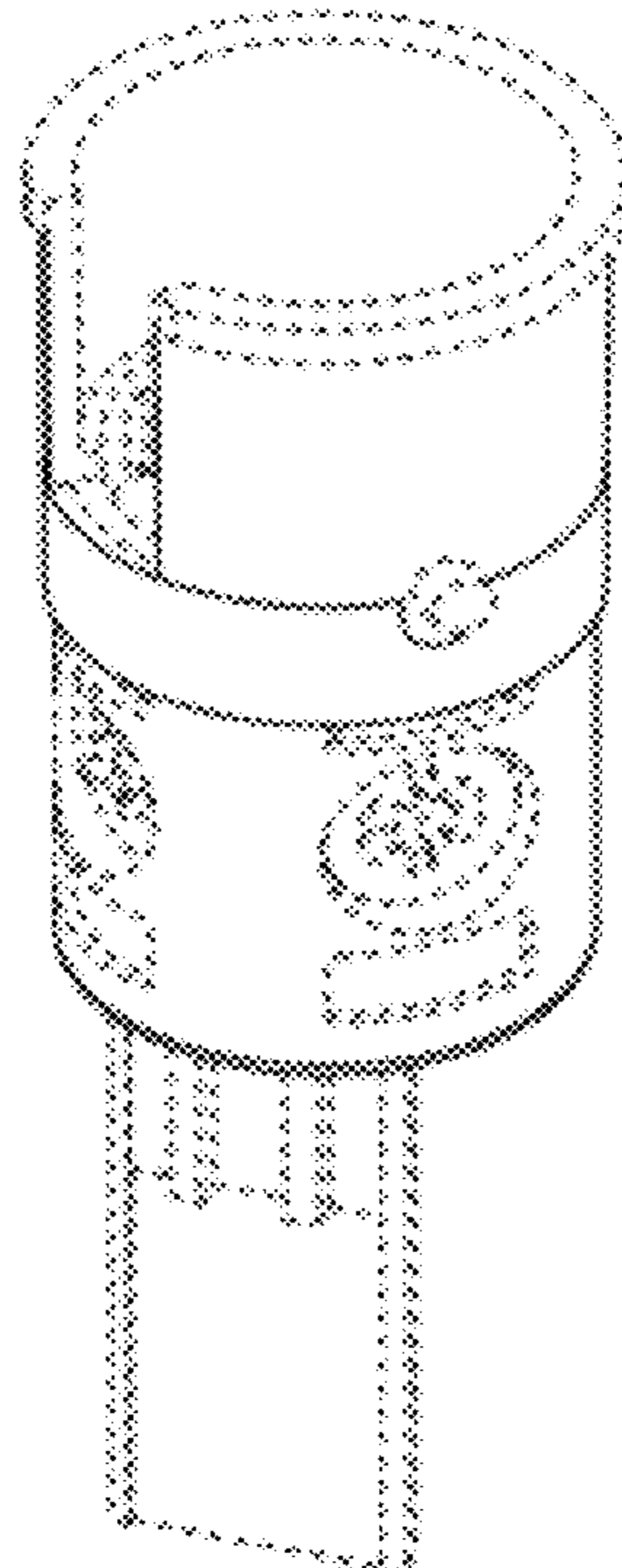
**U.S. PATENT DOCUMENTS**

6,656,752 B1 \* 12/2003 Mise et al. .... 438/14  
D522,145 S \* 5/2006 Best et al. .... D10/81  
D634,659 S \* 3/2011 Kadota ..... D10/81

**OTHER PUBLICATIONS**

U.S. Appl. No. 29/385,949, filed Feb. 23, 2011, Nishimoto.

**1 Claim, 8 Drawing Sheets**



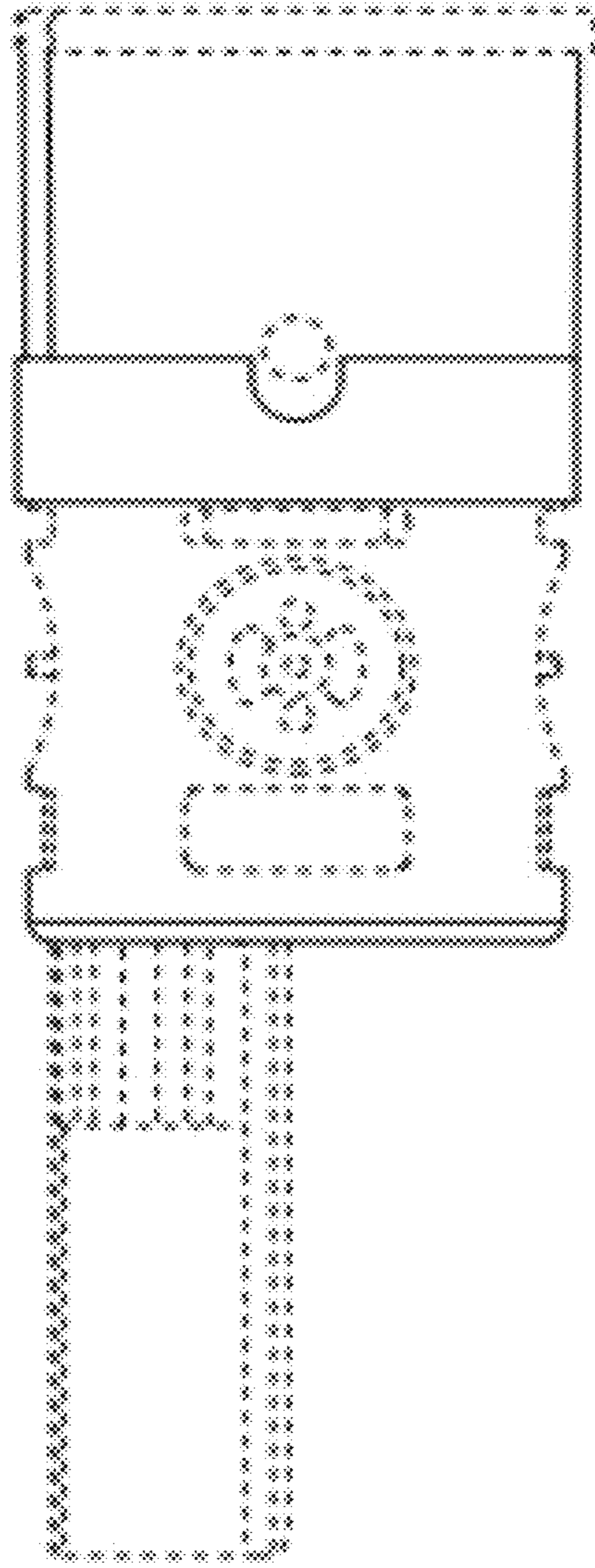


FIG. 1

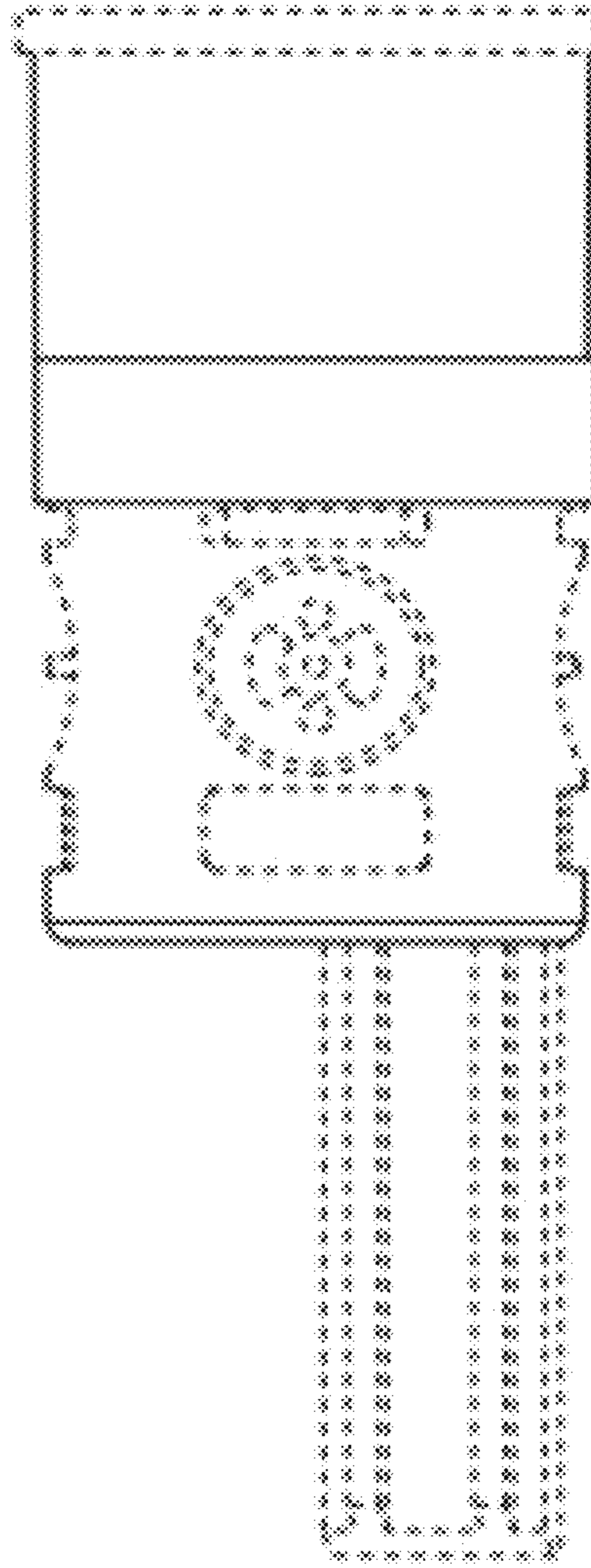


FIG. 2

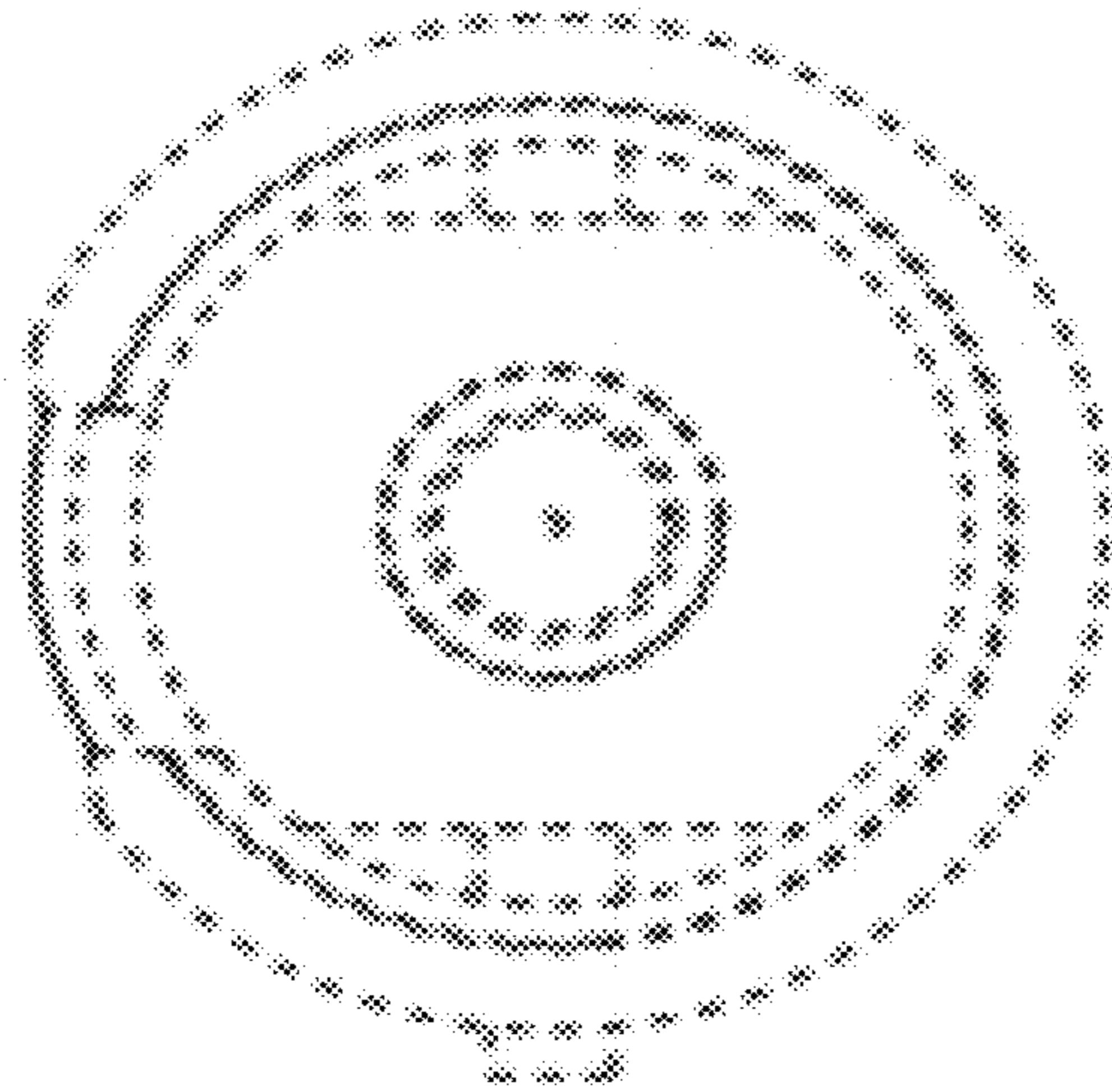


FIG. 3

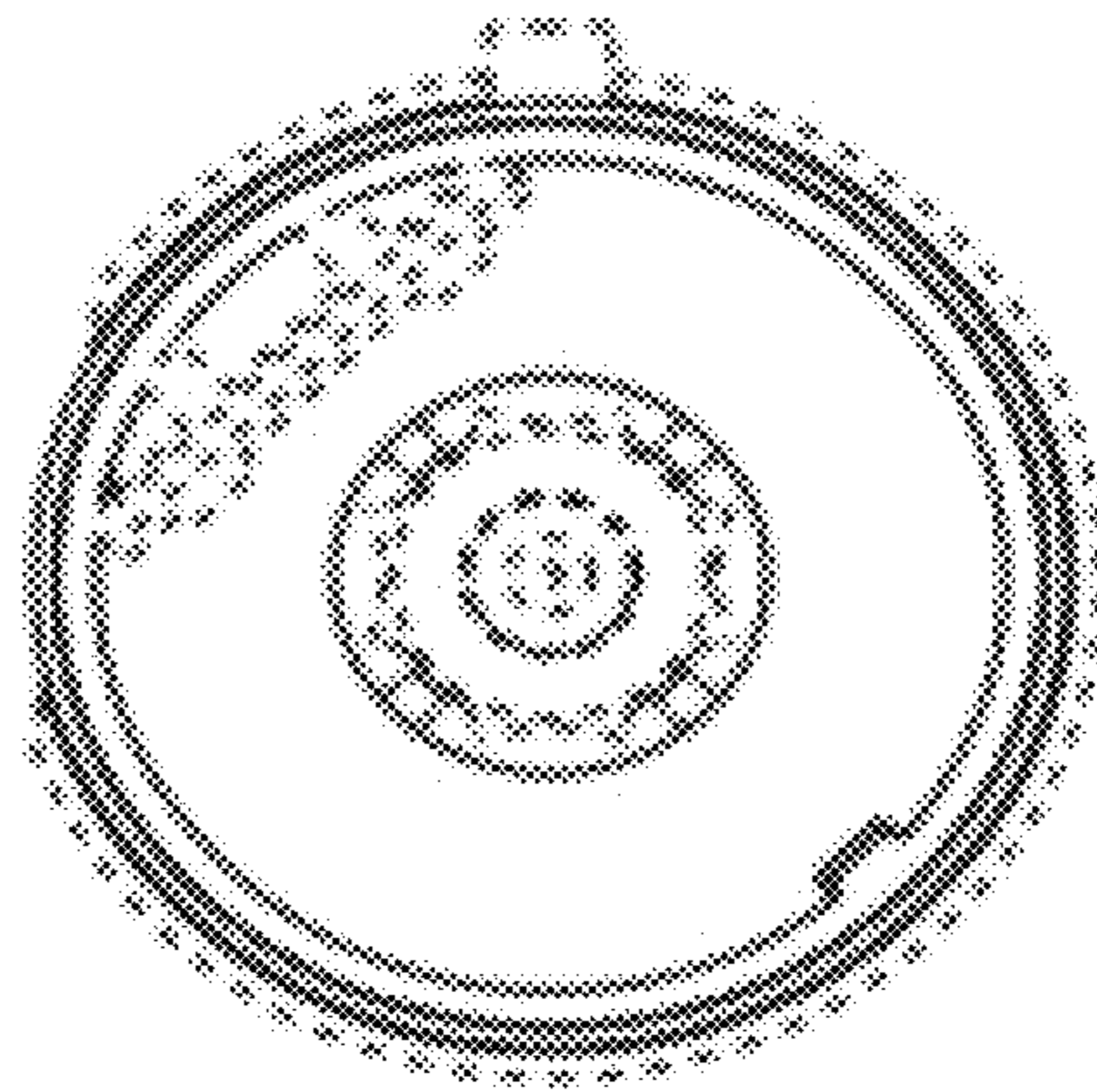


FIG. 4

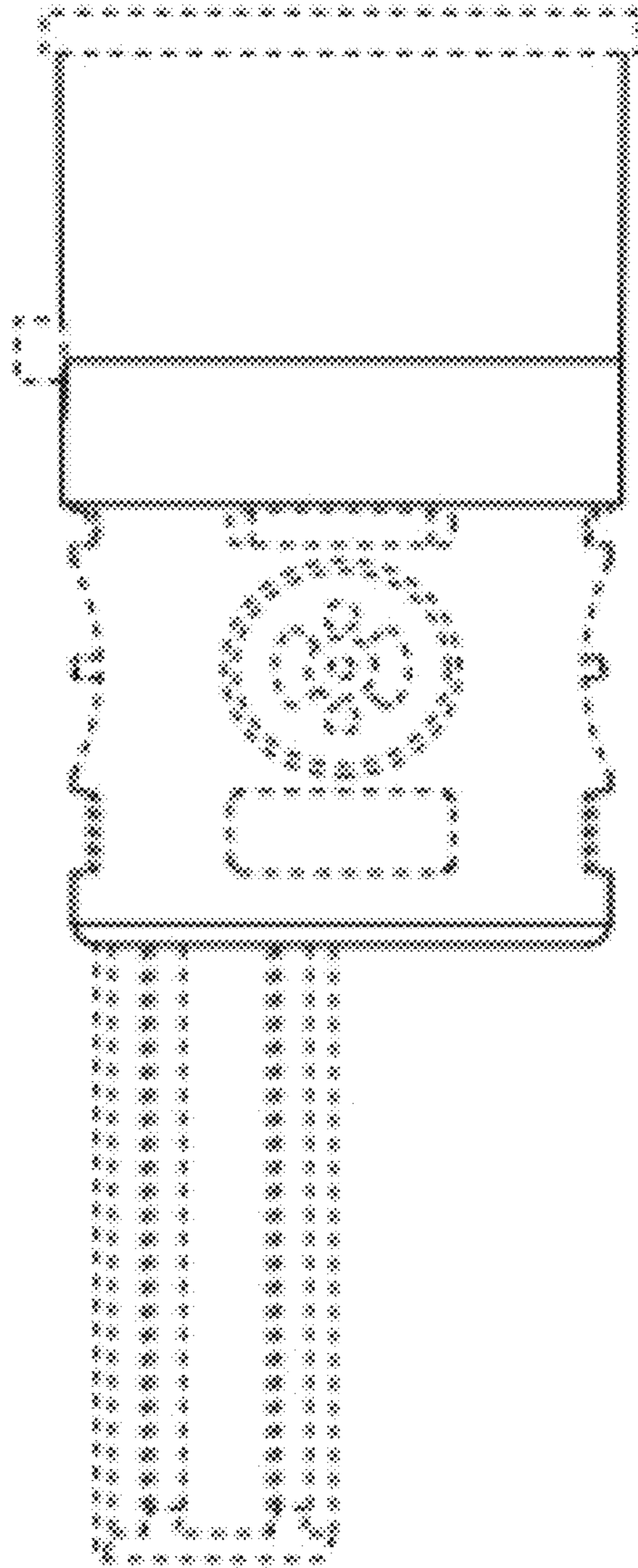


FIG. 5

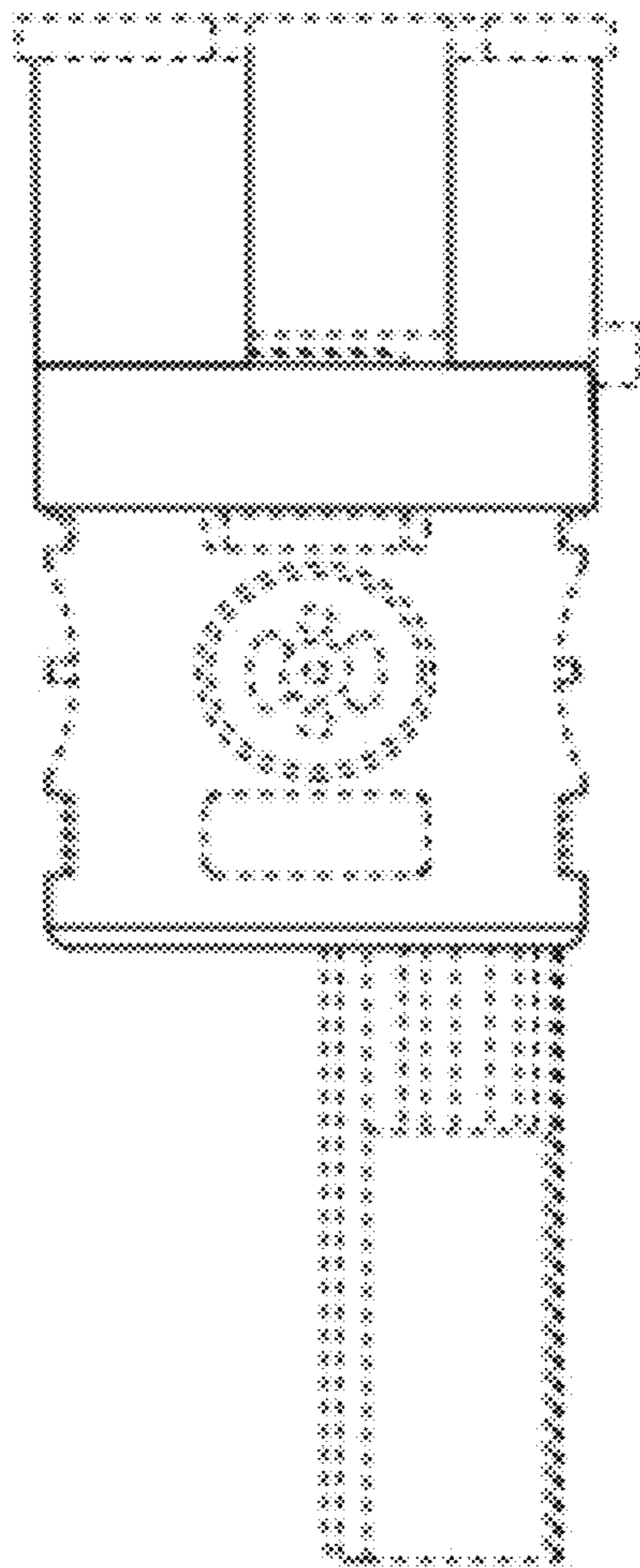


FIG. 6

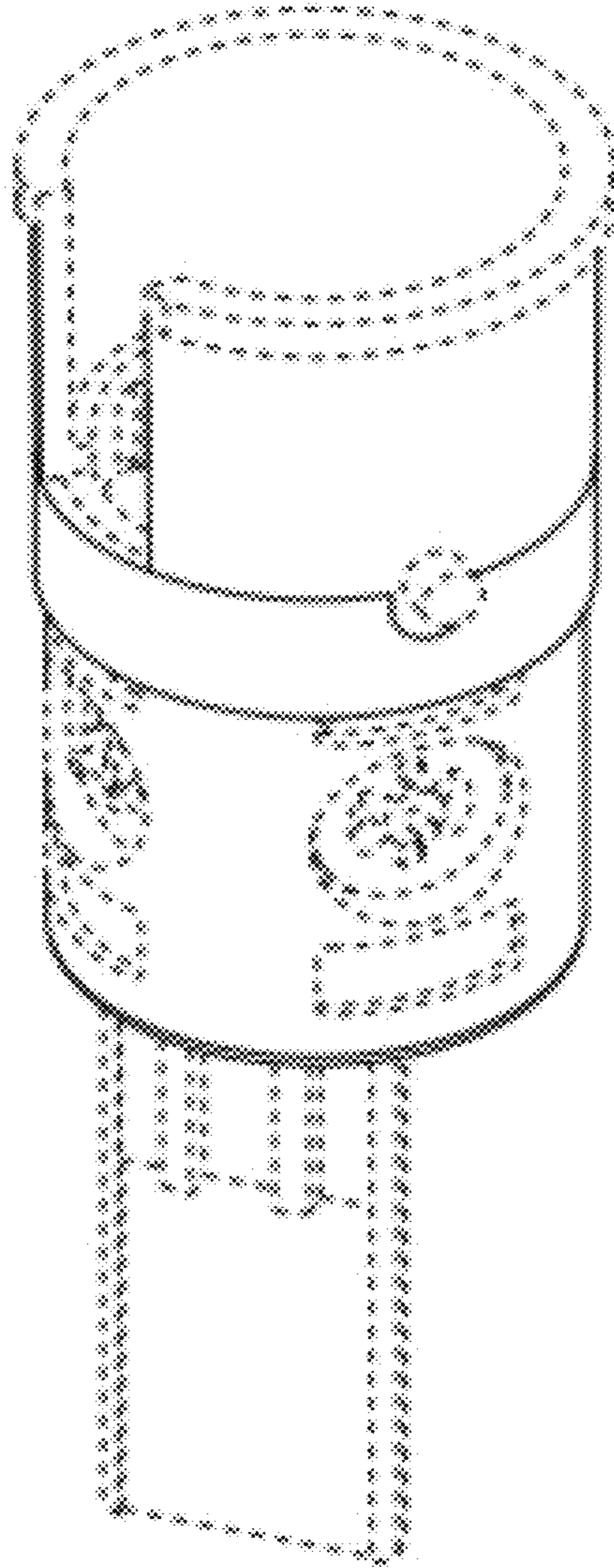


FIG. 7



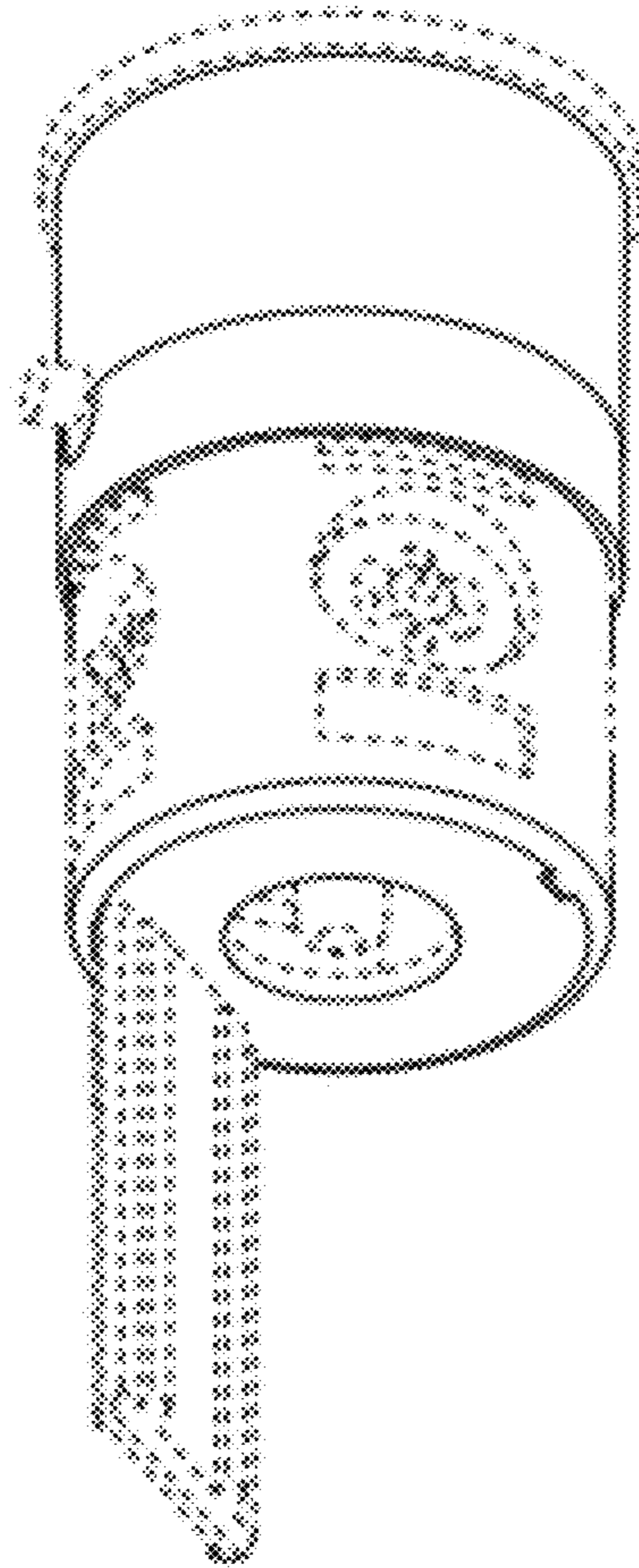


FIG. 8