



US00D664866S

(12) **United States Design Patent**
Chiang

(10) **Patent No.:** **US D664,866 S**

(45) **Date of Patent:** **** Aug. 7, 2012**

(54) **WATCH CASING**

(75) **Inventor:** **Eric Chiang, Tseung Kwan O (HK)**

(73) **Assignee:** **Timex Group USA, Inc., Middlebury, CT (US)**

(**) **Term:** **14 Years**

(21) **Appl. No.:** **29/412,255**

(22) **Filed:** **Feb. 1, 2012**

(51) **LOC (9) Cl.** **10-02**

(52) **U.S. Cl.** **D10/38**

(58) **Field of Classification Search** D10/30-39;
368/276, 281, 282, 285

See application file for complete search history.

(56) **References Cited**

U.S. PATENT DOCUMENTS

D188,062	S	*	5/1960	Pretat	D10/38
D251,897	S	*	5/1979	Davidson	D10/39
4,506,992	A	*	3/1985	Bonnet	368/282
D314,153	S	*	1/1991	Ratajski	D10/32
5,051,967	A	*	9/1991	Diamond, III	368/62
D324,828	S	*	3/1992	Wunderman	D10/32
D340,650	S	*	10/1993	Iwamura	D10/32
D362,396	S	*	9/1995	Chester	D10/32
D416,814	S	*	11/1999	Welsh	D10/31
D433,949	S	*	11/2000	Helleu	D10/30

D456,718	S	*	5/2002	Scarlinzi et al.	D10/30
D510,037	S	*	9/2005	Modolo	D10/32
D612,269	S	*	3/2010	Leung	D10/32
D629,703	S	*	12/2010	Giannini	D10/32
D635,472	S	*	4/2011	Dalla Libera et al.	D10/32
D653,564	S	*	2/2012	Eida	D10/32

OTHER PUBLICATIONS

Issey Miyake Trapezoid Watches—(3 sheets).

* cited by examiner

Primary Examiner — Lucy Lieberman

(74) *Attorney, Agent, or Firm* — Carmody & Torrance LLP

(57) **CLAIM**

The ornamental design for a watch casing, as shown and described.

DESCRIPTION

FIG. 1 is a top perspective view of a watch casing showing my new design;

FIG. 2 is a top plan view thereof;

FIG. 3 is a bottom plan view thereof;

FIG. 4 is a right side elevational view thereof;

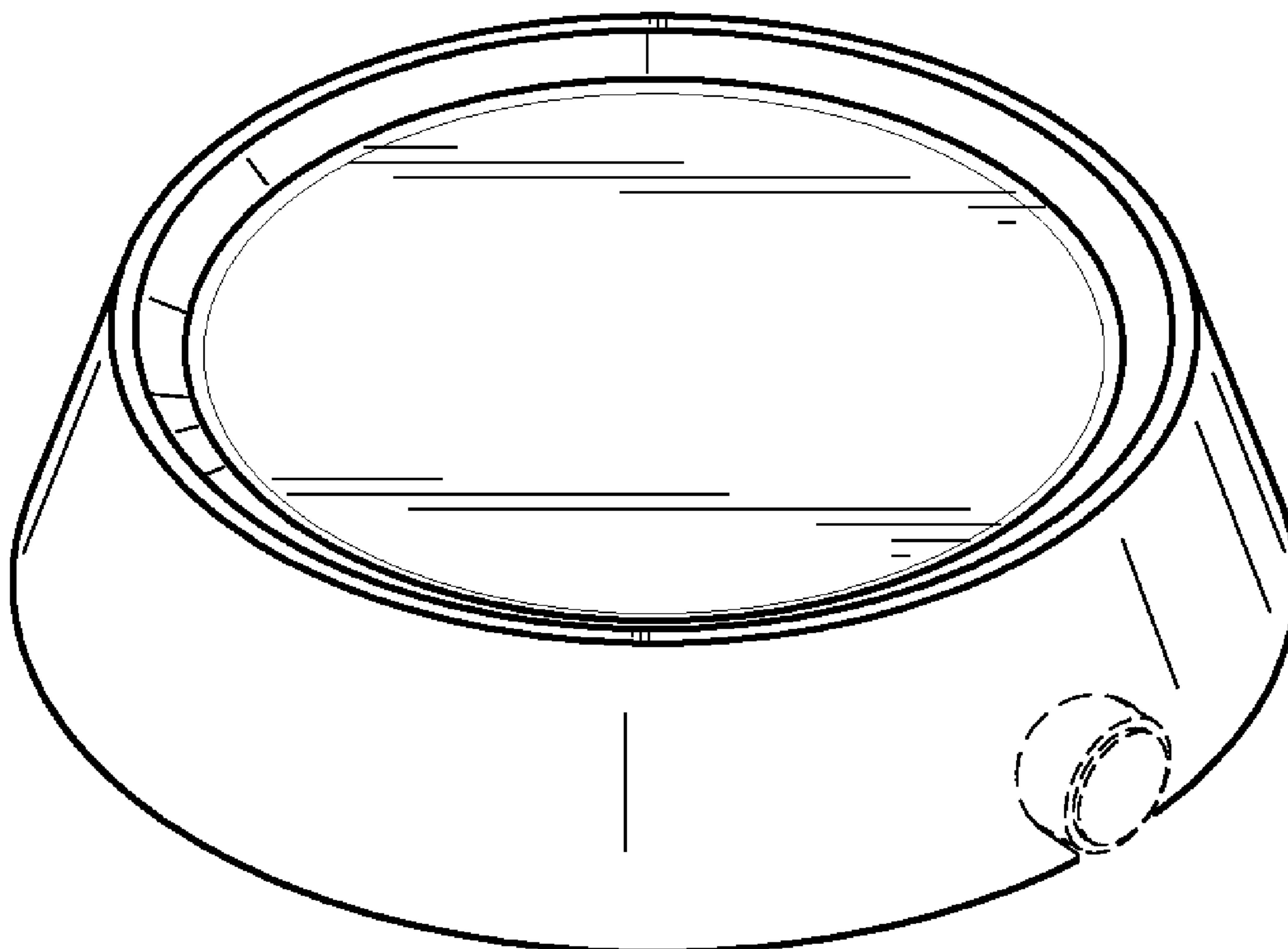
FIG. 5 is a left side elevational view thereof;

FIG. 6 is a first end elevational view thereof; and,

FIG. 7 is a second end elevational view thereof.

The dotted lines are intended to show features that are environmental only and form no part of the claimed design.

1 Claim, 2 Drawing Sheets



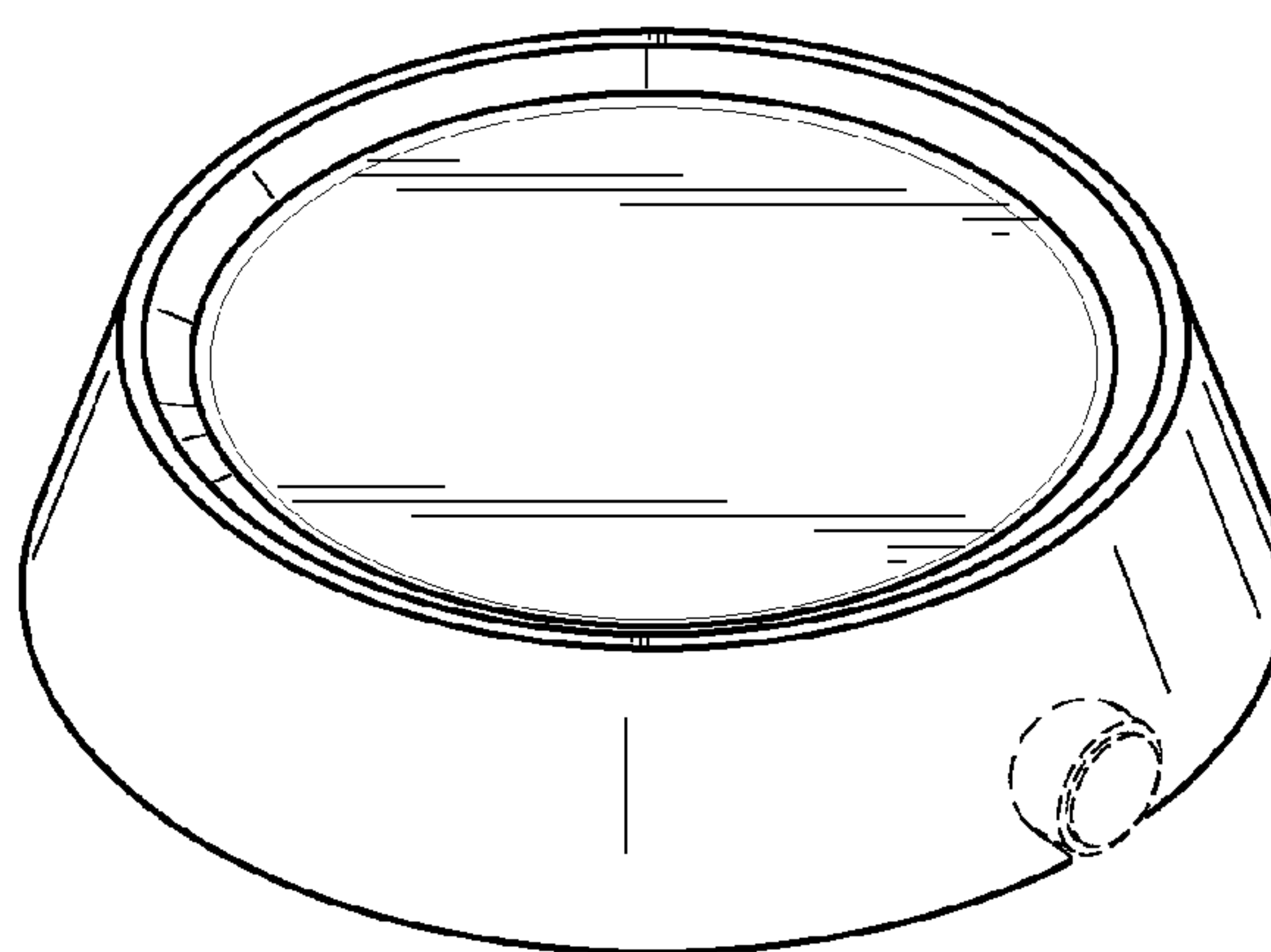


FIG. 1

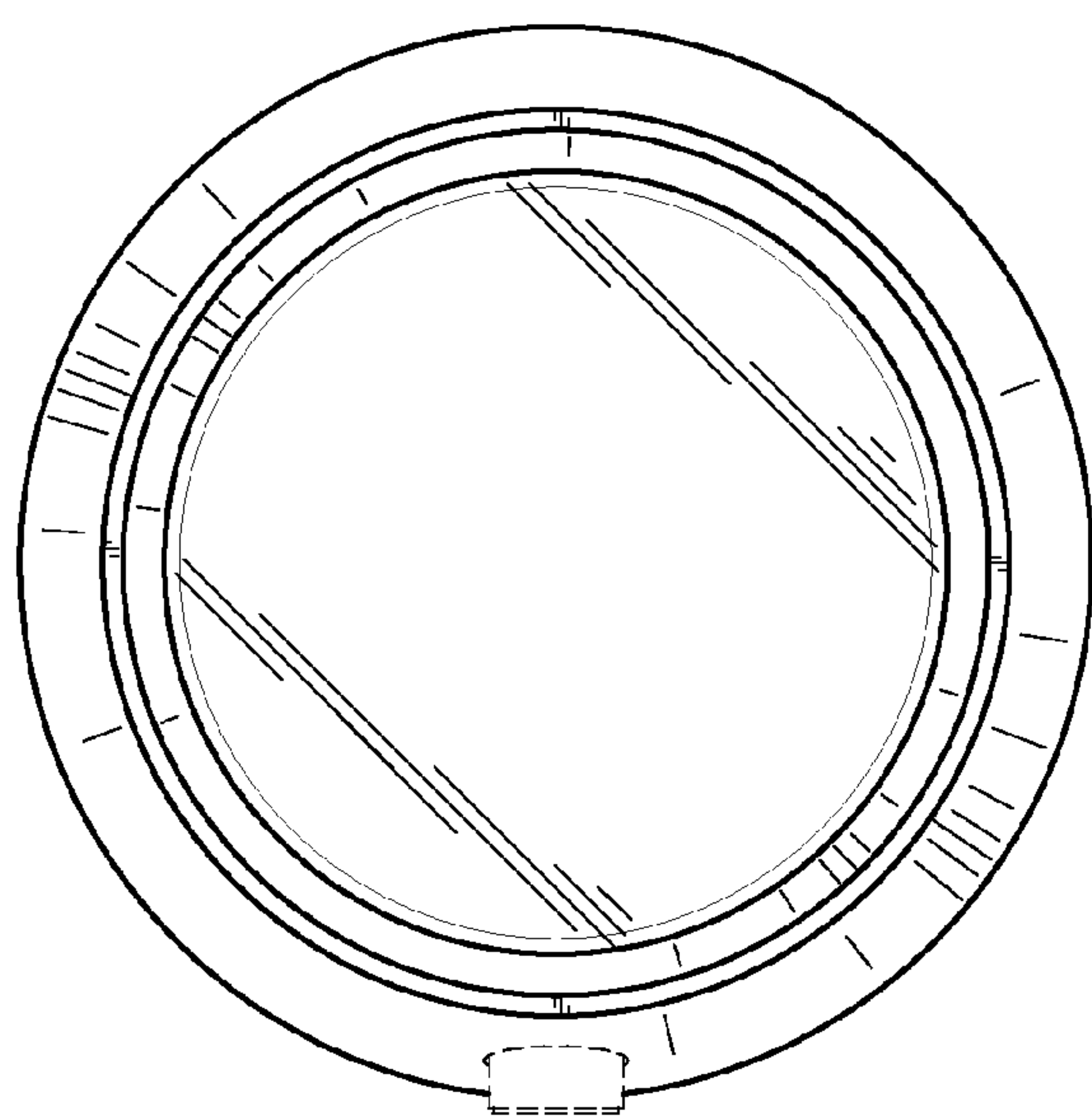


FIG. 2

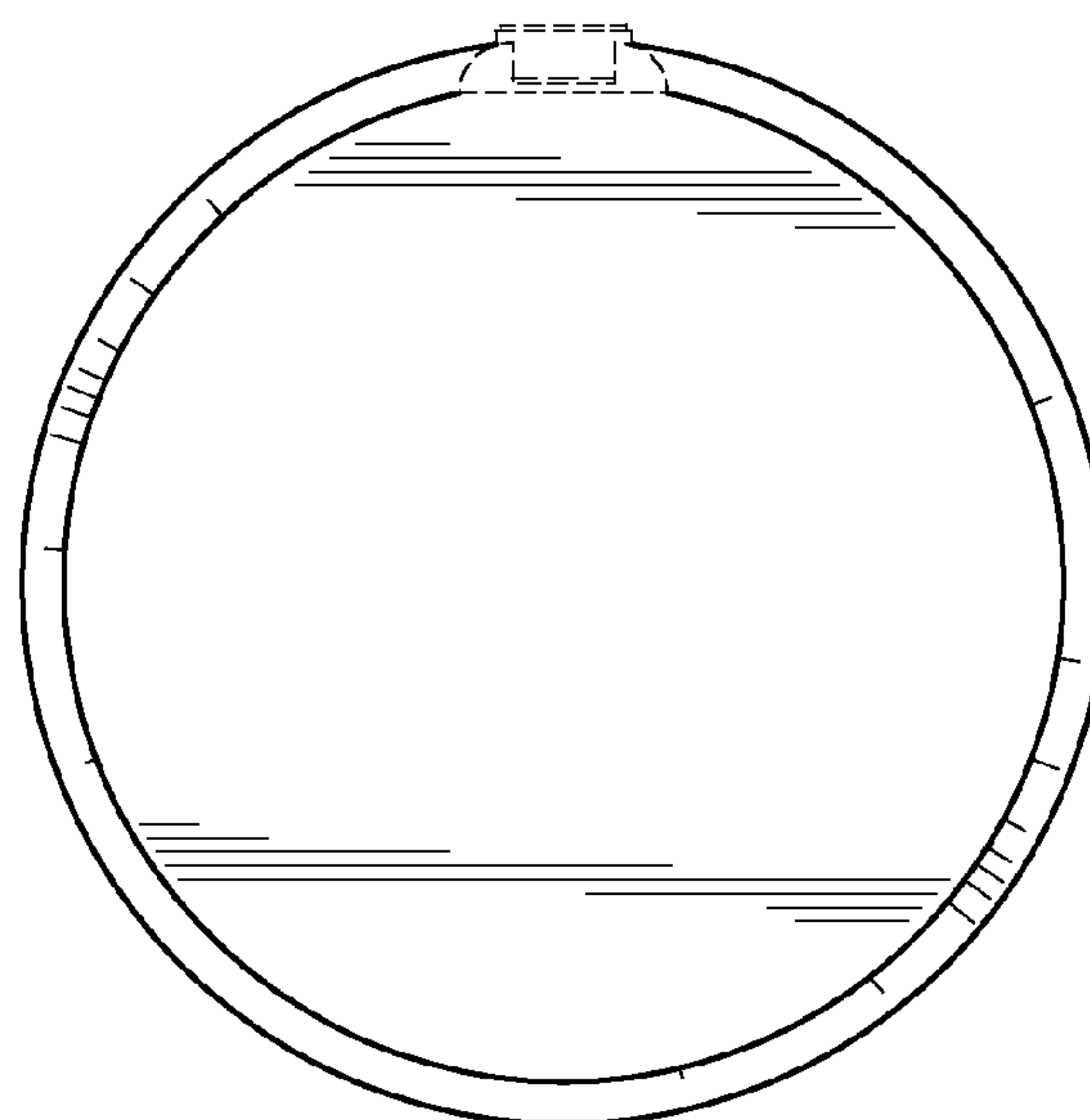


FIG. 3

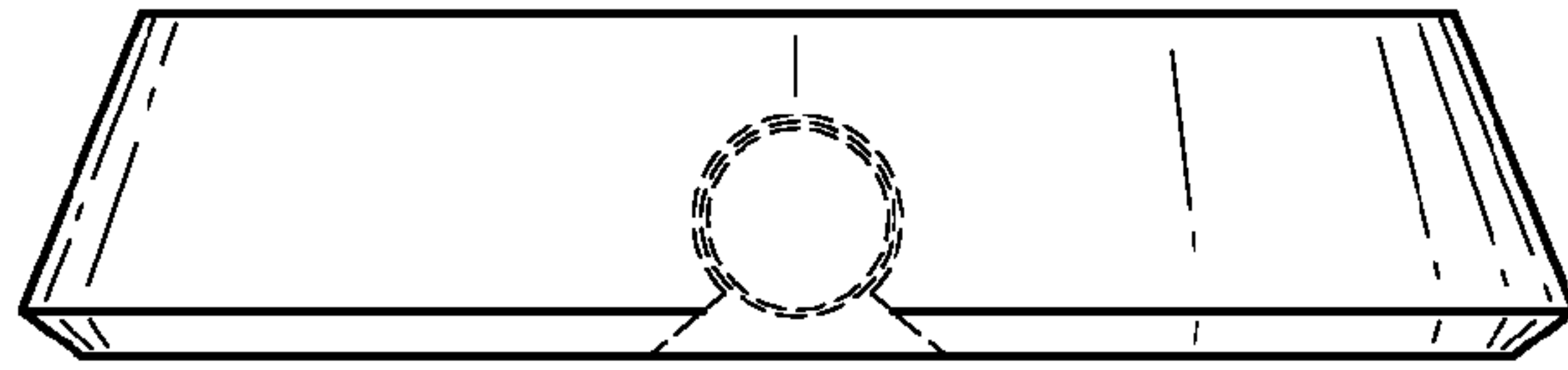


FIG. 4

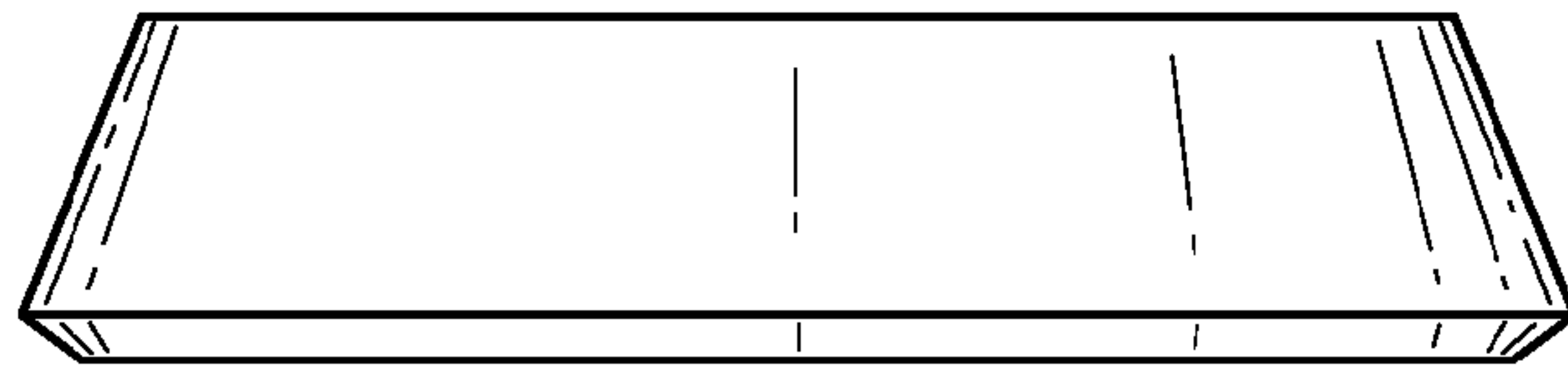


FIG. 5

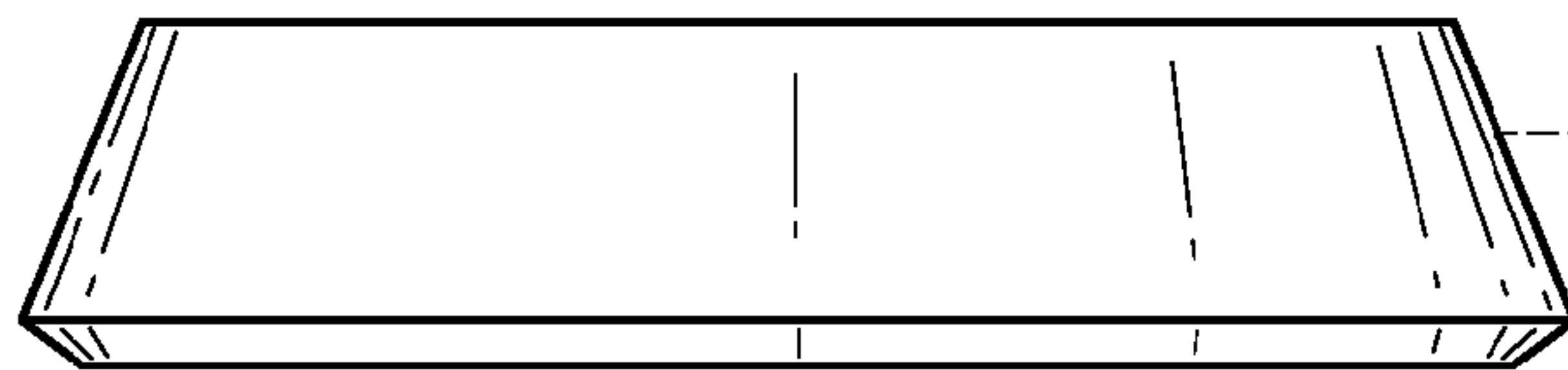


FIG. 6

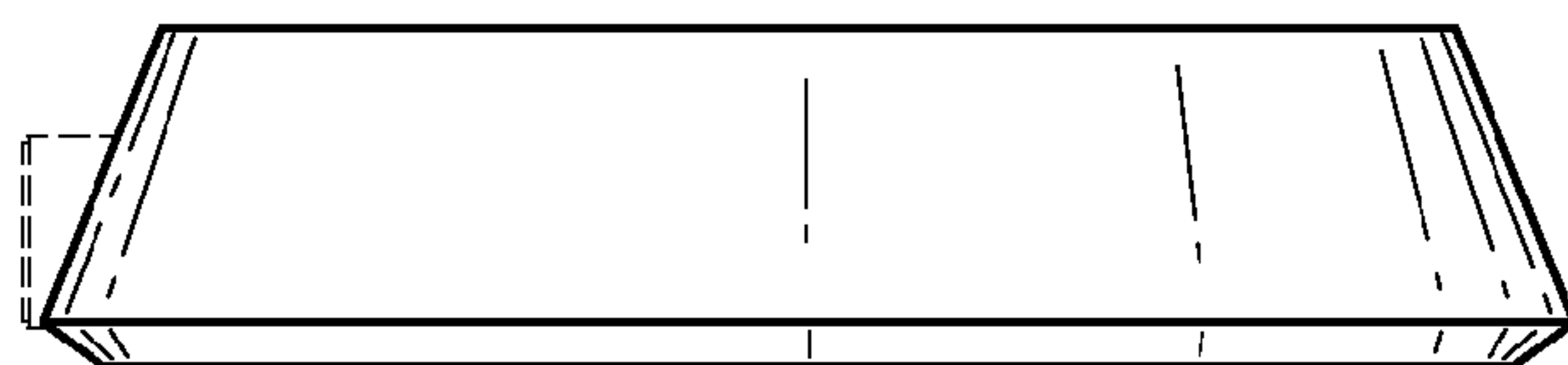


FIG. 7