



US00D664864S

(12) **United States Design Patent**
Kawashima

(10) **Patent No.:** **US D664,864 S**

(45) **Date of Patent:** **** Aug. 7, 2012**

(54) **WRIST WATCH CASE WITH BAND**

(75) Inventor: **Yuri Kawashima**, Tokyo (JP)

(73) Assignees: **Citizen Holdings Co., Ltd.** (JP); **Citizen Watch Co., Ltd.** (JP)

(**) Term: **14 Years**

(21) Appl. No.: **29/408,825**

(22) Filed: **Dec. 16, 2011**

(51) **LOC (9) Cl.** **10-02**

(52) **U.S. Cl.** **D10/32**

(58) **Field of Classification Search** D10/30-39,
D10/122-132; 368/276, 281, 282; D11/3,
D11/12

See application file for complete search history.

(56) **References Cited**

U.S. PATENT DOCUMENTS

D378,355 S *	3/1997	Charriol	D10/30
D379,769 S *	6/1997	Schoepfer	D10/39
D525,537 S *	7/2006	Monachon	D10/32
D572,608 S *	7/2008	Behling	D10/32
D574,733 S *	8/2008	Blair	D10/32
D578,023 S *	10/2008	Rochat	D10/32
D580,793 S *	11/2008	Kawashima	D10/32
D589,378 S *	3/2009	Takahashi et al.	D10/32

D591,176 S *	4/2009	Monachon	D10/32
D599,218 S *	9/2009	Izuka et al.	D10/32
D599,682 S *	9/2009	Yoshida et al.	D10/32
D600,142 S *	9/2009	Takahashi	D10/32
D628,908 S *	12/2010	Giannini	D10/32
D628,911 S *	12/2010	Giannini	D10/32
D629,706 S *	12/2010	Furetta	D10/32
D632,592 S *	2/2011	Actis-Datta	D10/32
D640,145 S *	6/2011	Goto	D10/32
D650,704 S *	12/2011	Actis-Datta	D10/32

* cited by examiner

Primary Examiner — Lucy Lieberman

(74) *Attorney, Agent, or Firm* — Banner & Witcoff, Ltd.

(57) **CLAIM**

The ornamental design for wrist watch case with band, as shown and described.

DESCRIPTION

FIG. 1 is a perspective view thereof,
FIG. 2 is a front elevational view thereof,
FIG. 3 is a rear elevational view thereof,
FIG. 4 is a top plan view thereof,
FIG. 5 is a bottom plan view thereof,
FIG. 6 is a right side elevation view thereof; and,
FIG. 7 is a left side elevation view thereof.
The broken lines in the drawings are used to show a watch band clasp that does not form part of the claimed design.

1 Claim, 7 Drawing Sheets

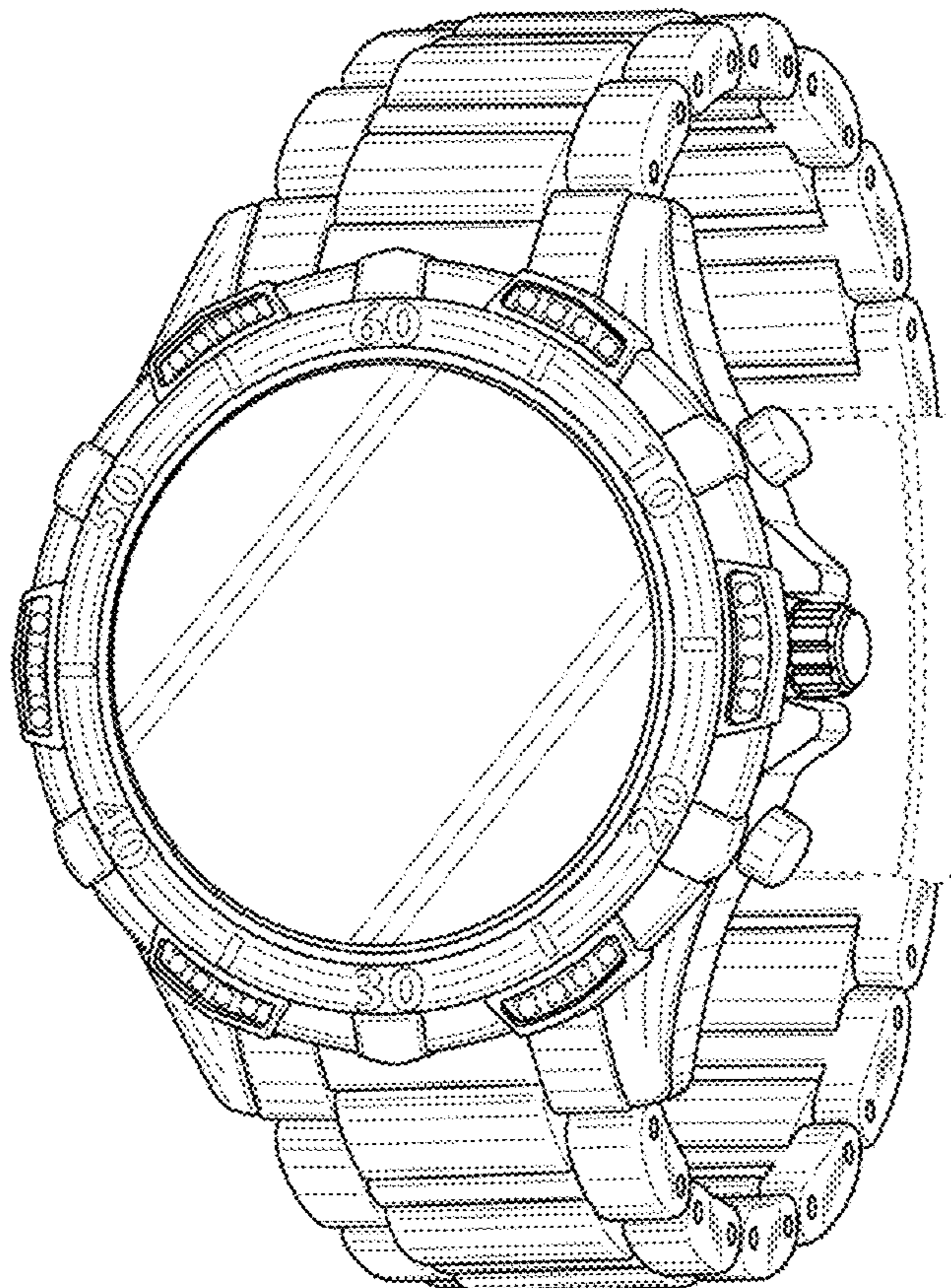


FIG. 1

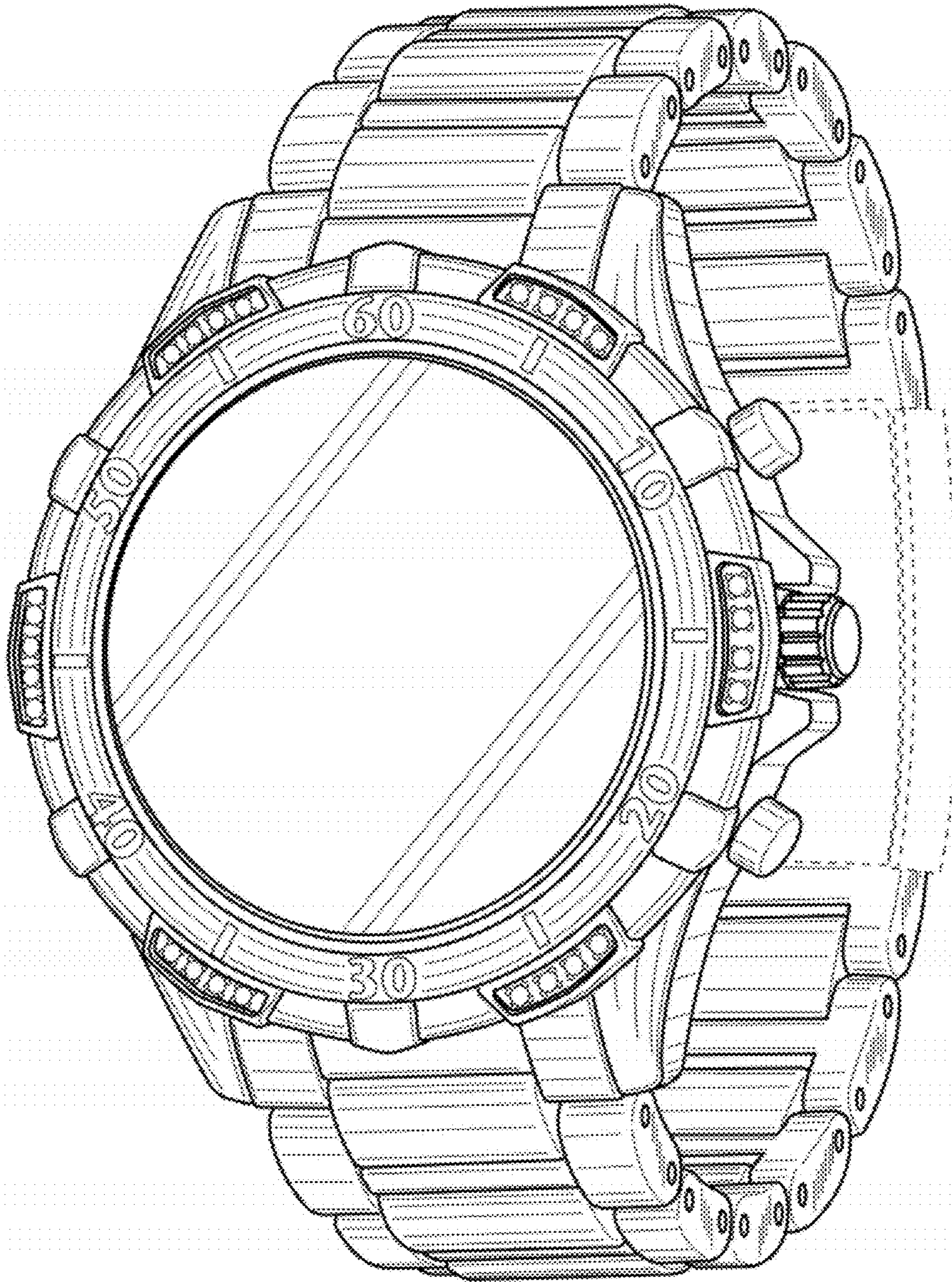


FIG. 2

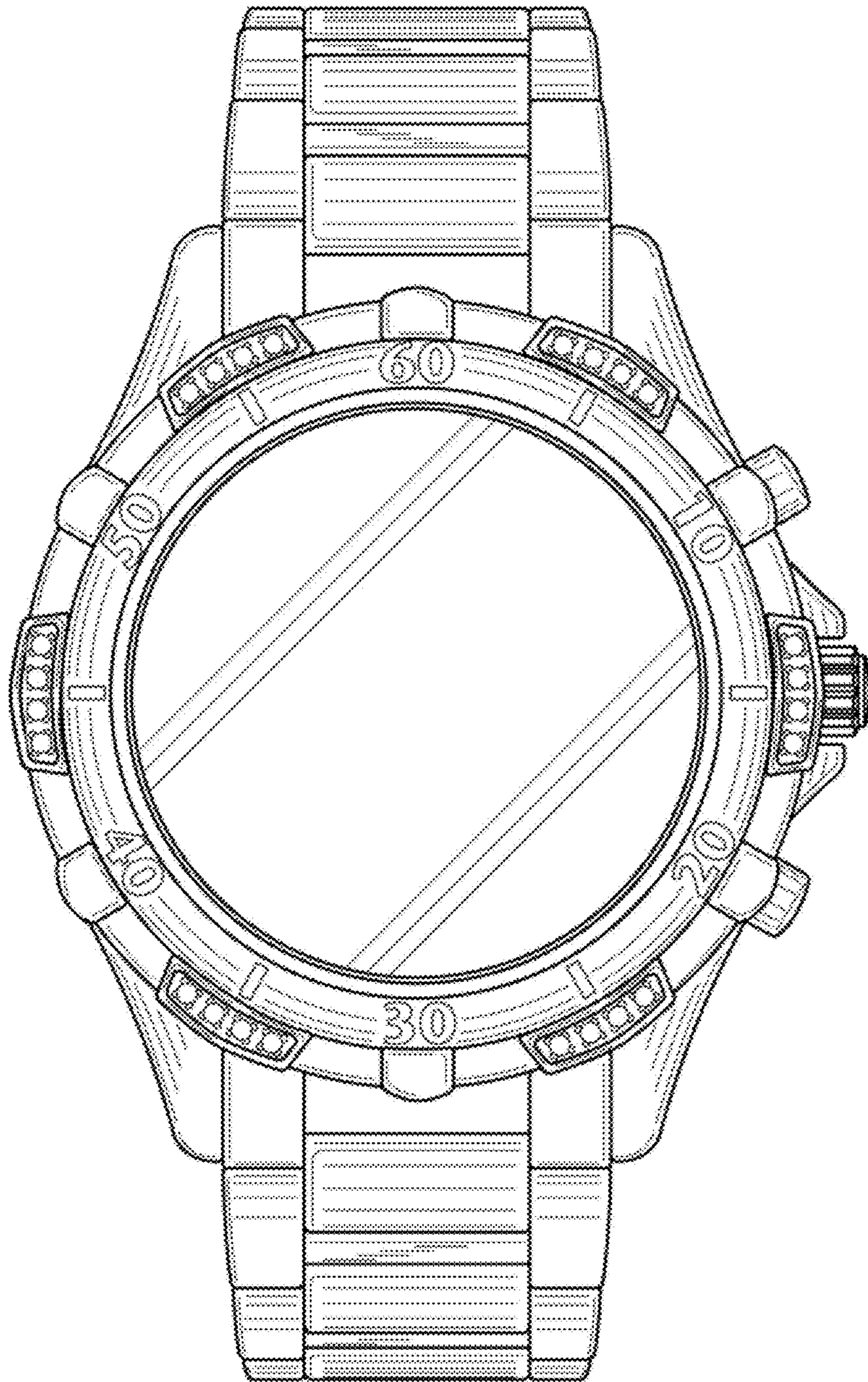


FIG. 3

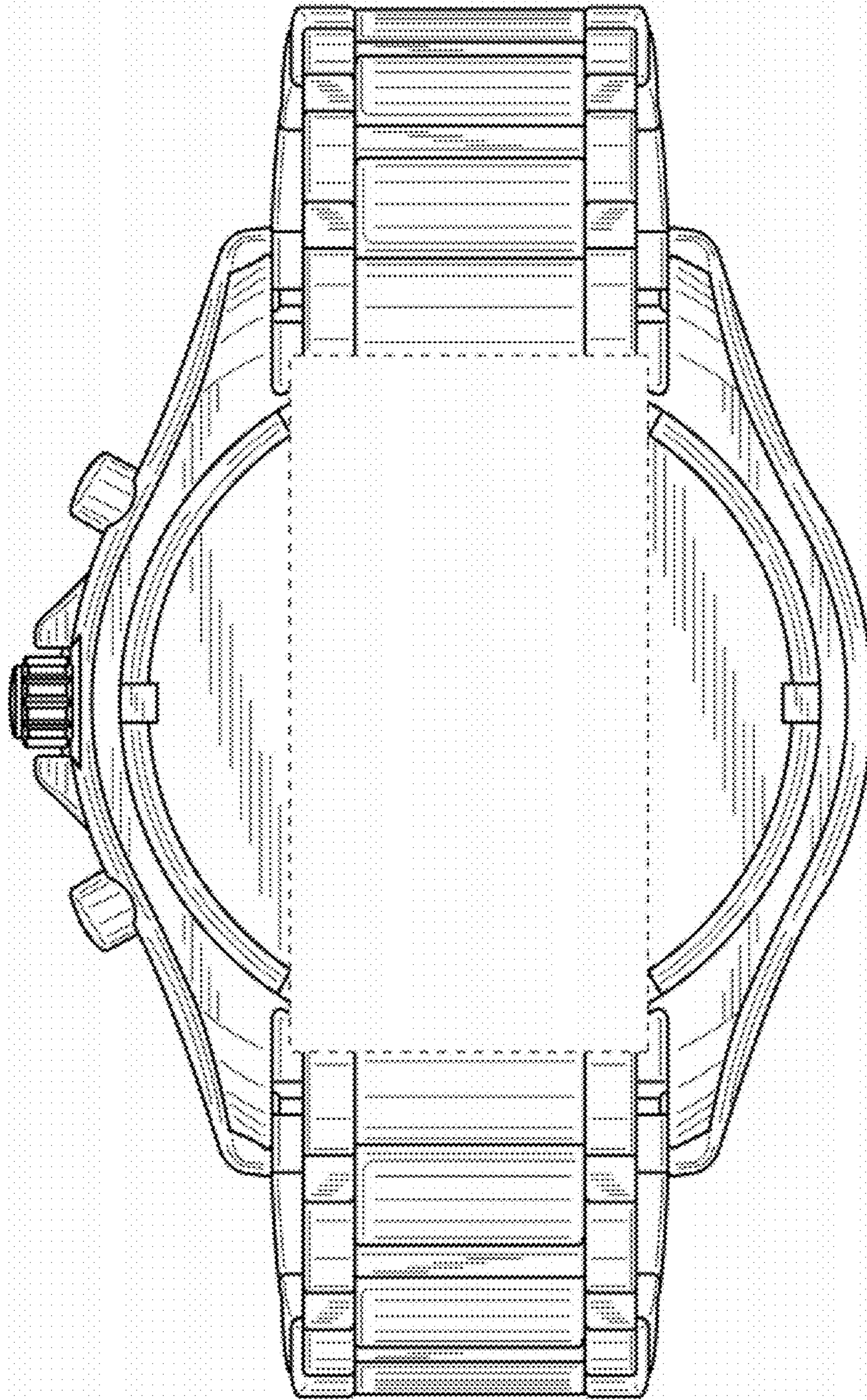


FIG. 4

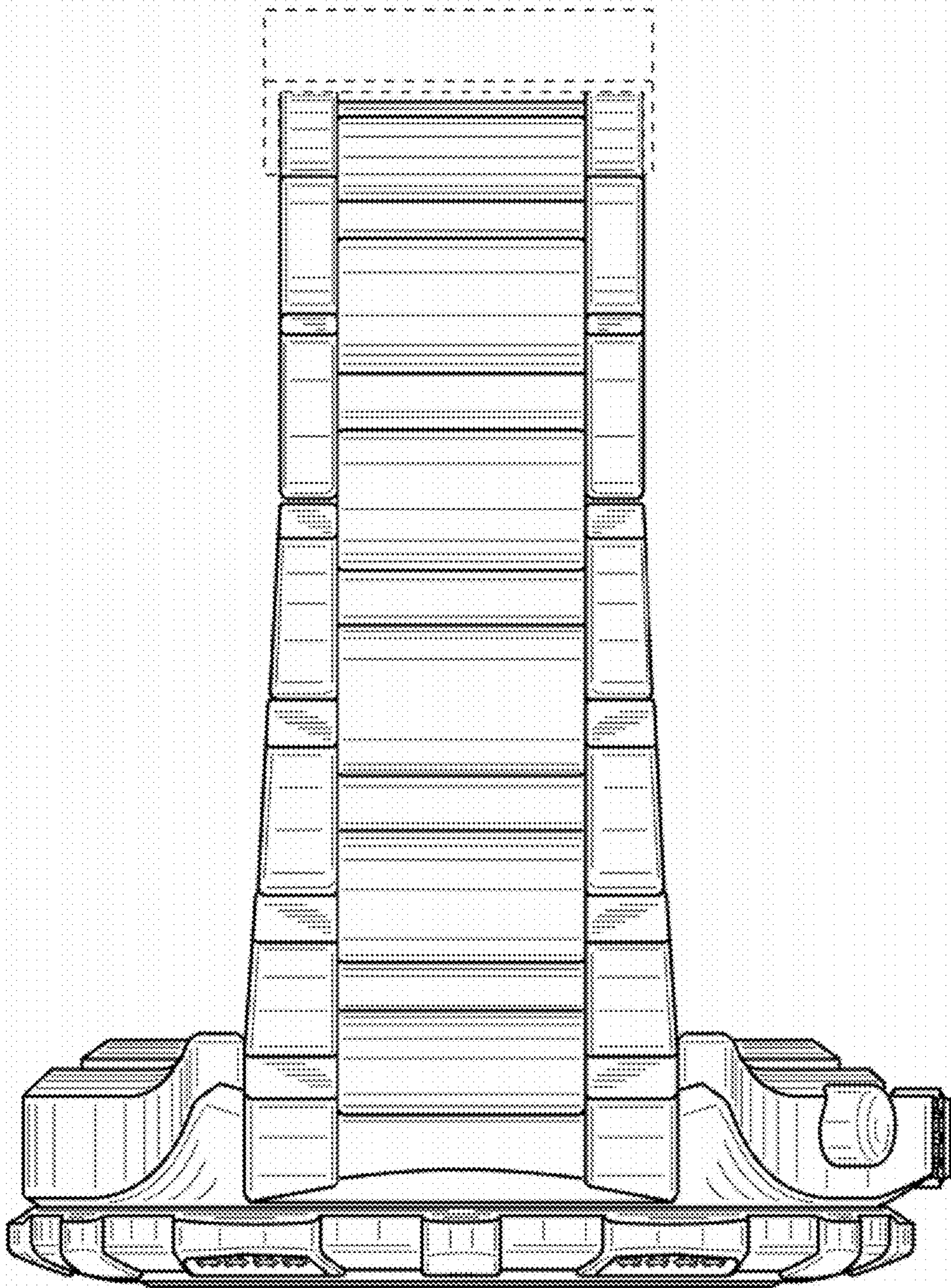


FIG. 5

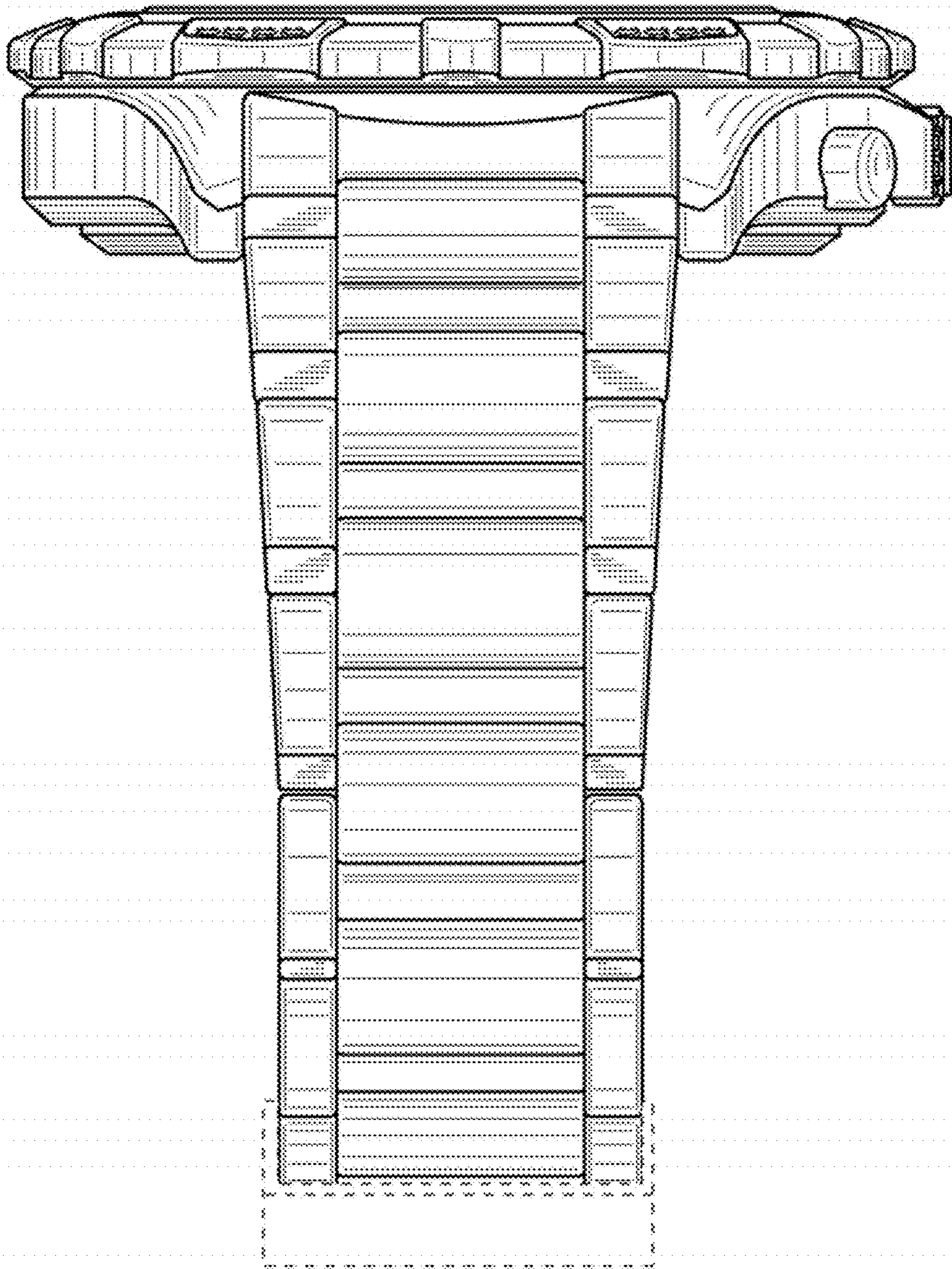


FIG. 6

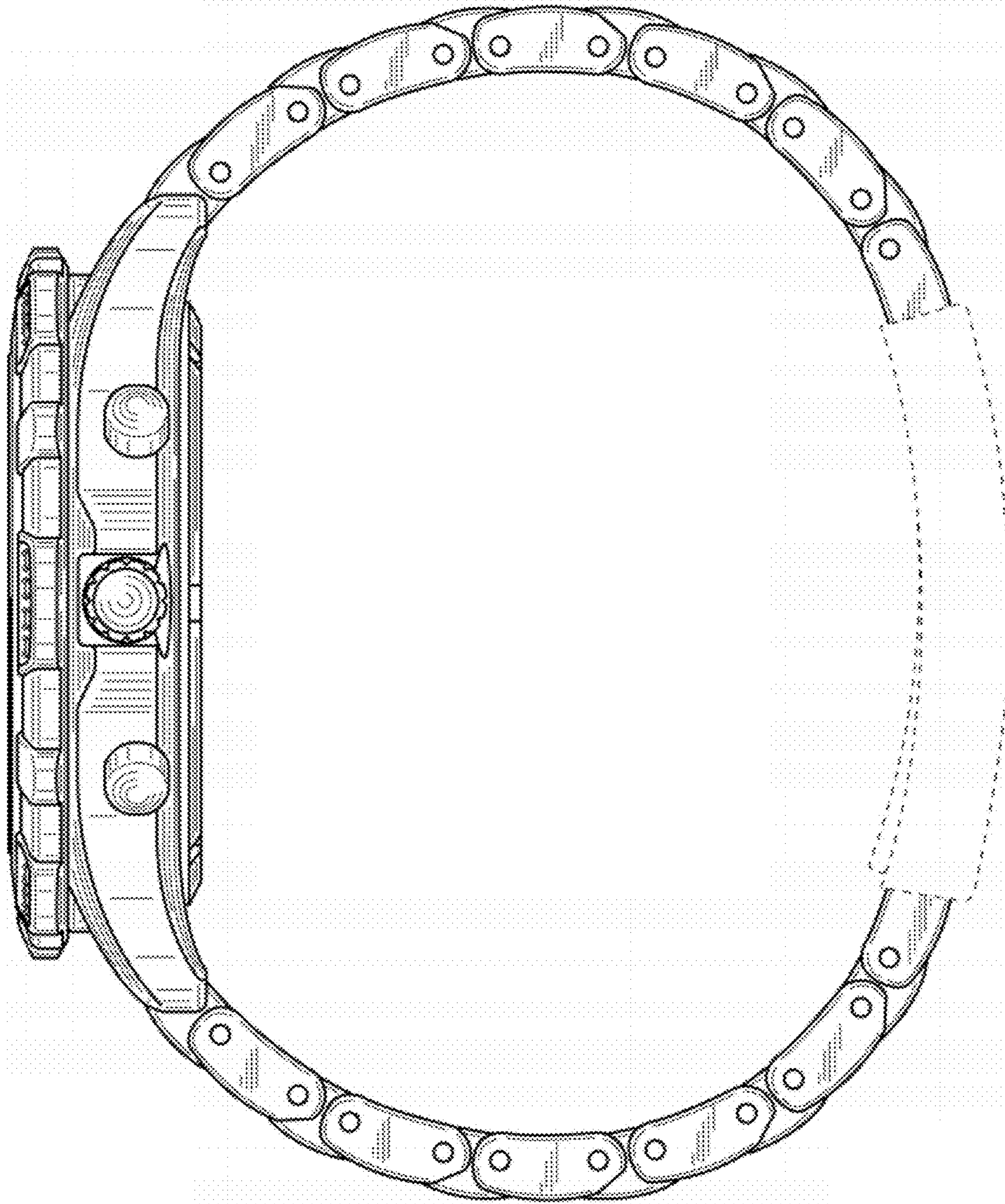


FIG. 7

