



US00D664860S

(12) **United States Design Patent**
Gelin

(10) **Patent No.:** **US D664,860 S**

(45) **Date of Patent:** **** Aug. 7, 2012**

(54) **CONTAINER FOR PERSONAL HYGIENE PRODUCT**

(76) Inventor: **Marie Gelin**, Fairburn, GA (US)

(**) Term: **14 Years**

(21) Appl. No.: **29/392,405**

(22) Filed: **May 20, 2011**

(51) **LOC (9) Cl.** **09-01**

(52) **U.S. Cl.** **D9/668**

(58) **Field of Classification Search** D7/514-515,
D7/599, 613, 619.2, 623, 901; D3/200, 202,
D3/205, 271.9; D9/600, 668, 723, 728-729,
D9/516, 519; 206/494, 527; 220/890; 215/400
See application file for complete search history.

(56) **References Cited**

U.S. PATENT DOCUMENTS

3,624,939	A *	12/1971	Gossard	40/721
D287,767	S *	1/1987	Simmons	D7/901
D349,008	S *	7/1994	Minor	D7/901
D375,226	S *	11/1996	Blankenburg et al.	D7/515
D390,778	S *	2/1998	Lee	D9/668
D425,706	S *	5/2000	Calderone	D9/668
D594,701	S *	6/2009	Sax et al.	D7/515

* cited by examiner

Primary Examiner — Sandra Morris

(74) *Attorney, Agent, or Firm* — Seldon & Scillieri

(57) **CLAIM**

The ornamental design for a container for a personal hygiene product, as shown and described.

DESCRIPTION

FIG. 1 is left front perspective view a container constructed in accordance with the invention;

FIG. 2 is a front elevation view of the container illustrated in FIG. 1;

FIG. 3 is a top plan view of the container illustrated in FIG. 1;

FIG. 4 is a left side elevation view of the container illustrated in FIG. 1;

FIG. 5 is a right side elevation view of the container illustrated in FIG. 1;

FIG. 6 is a rear elevation view of the container illustrated in FIG. 1;

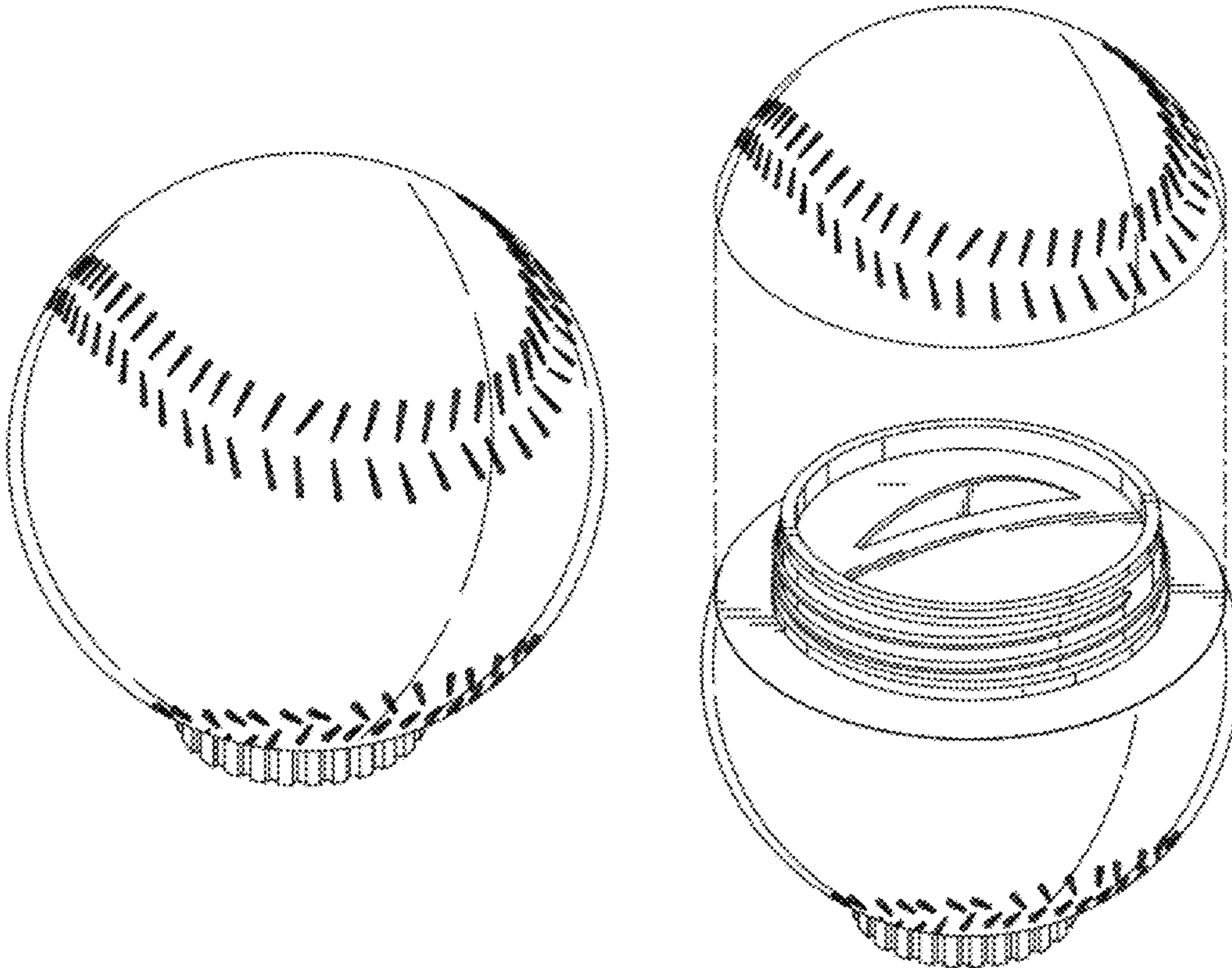
FIG. 7 is a bottom plan view of the container illustrated in FIG. 1;

FIG. 8 is left front perspective view of the container of FIG. 1, illustrating an internal cap design under its removable cap;

and,

FIG. 9 is left front perspective view of an alternative embodiment of the container of FIG. 1 illustrating its removable cap, wherein the broken line portions are for illustrative purposes only and form no part of the claimed design.

1 Claim, 4 Drawing Sheets



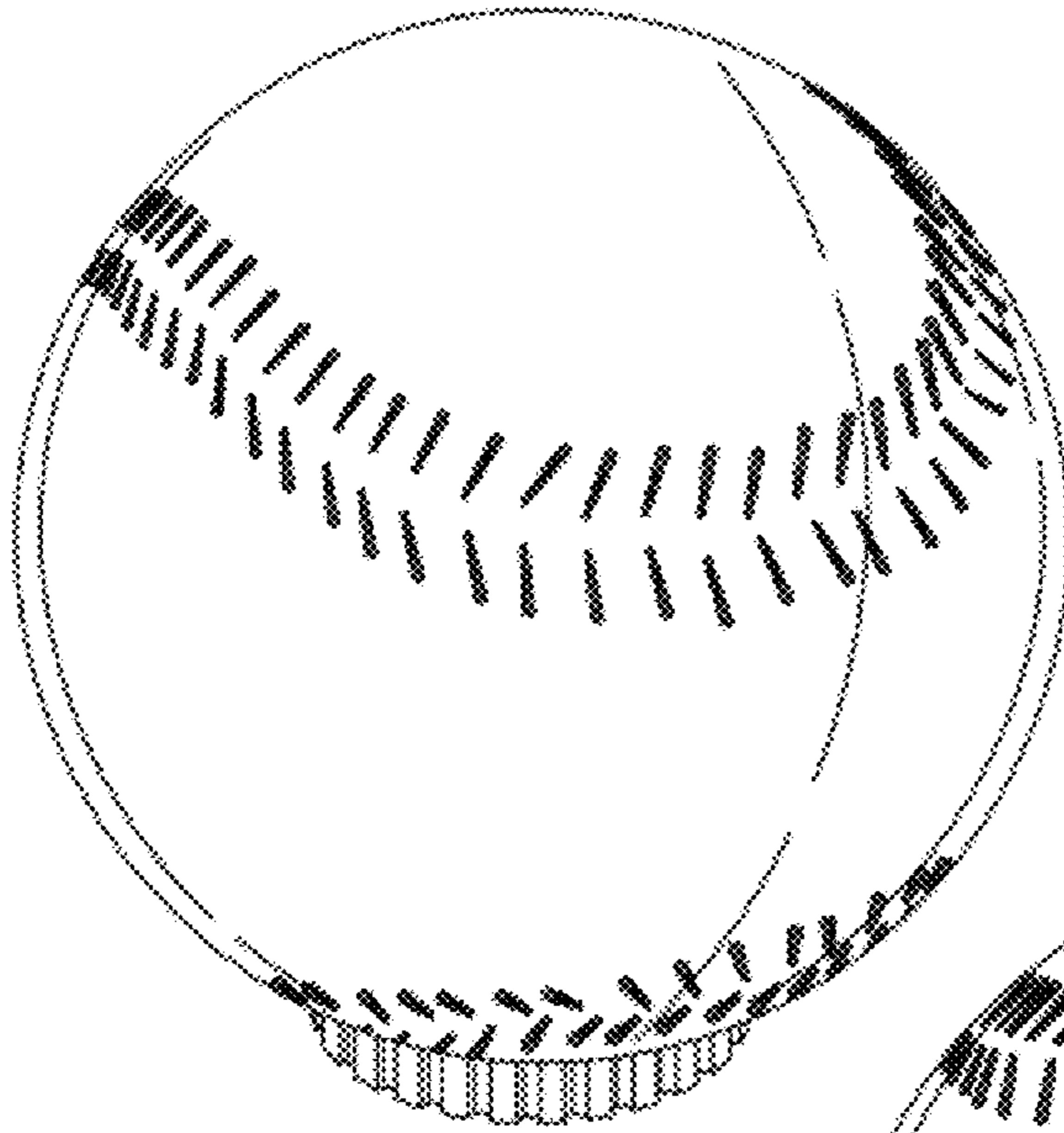


Fig. 1

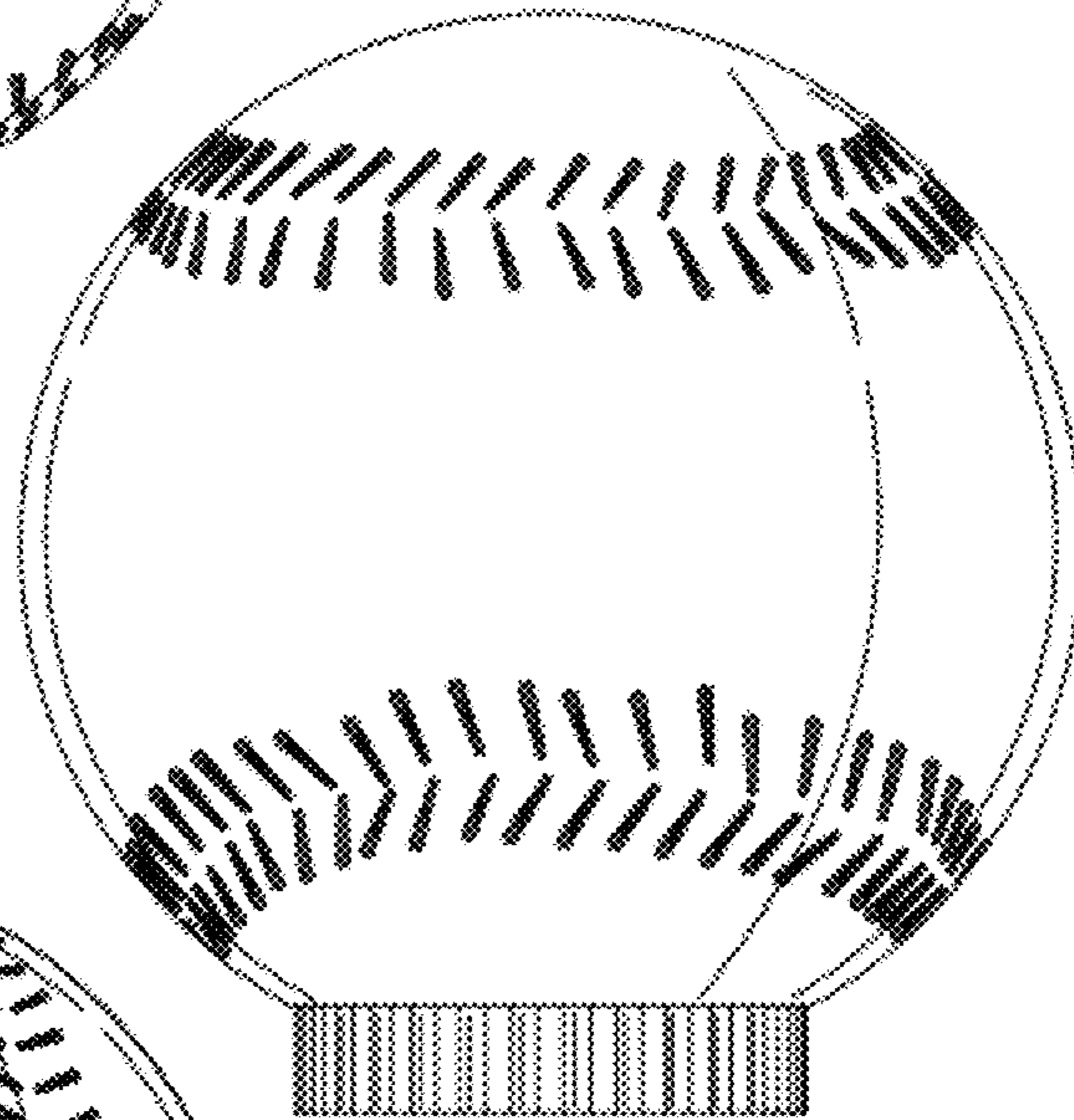


Fig. 2

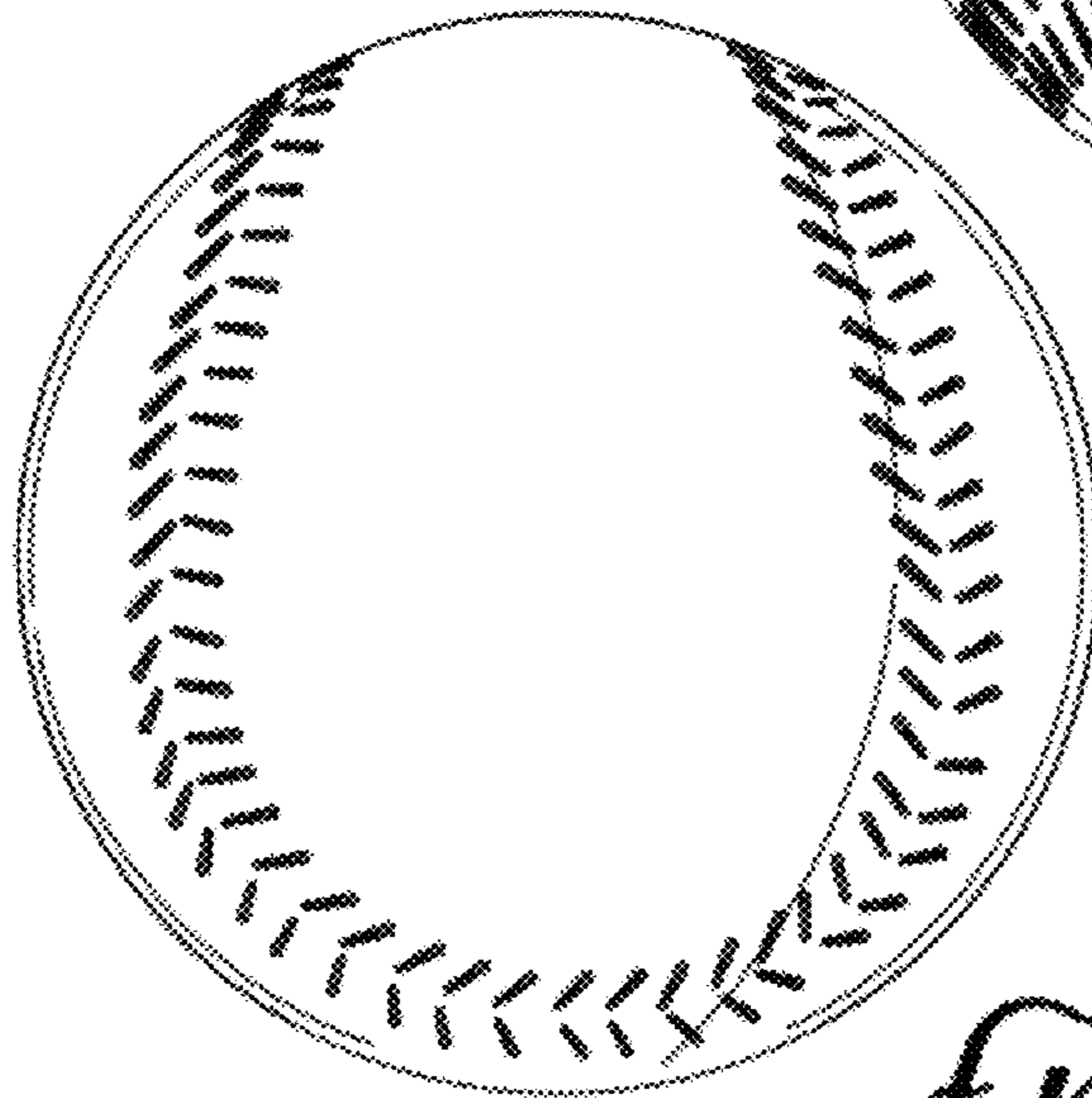


Fig. 3

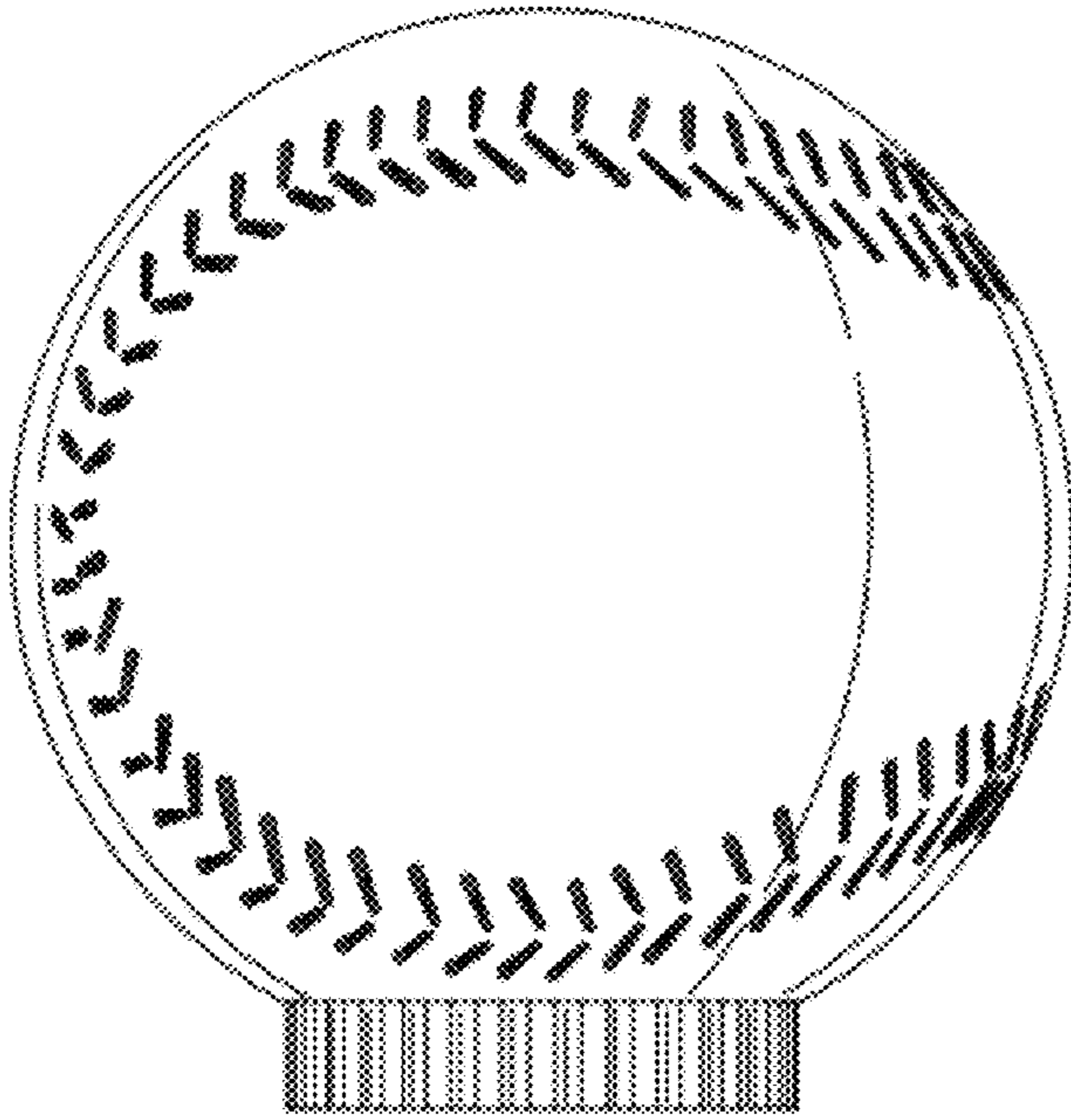


FIG. 4



FIG. 5

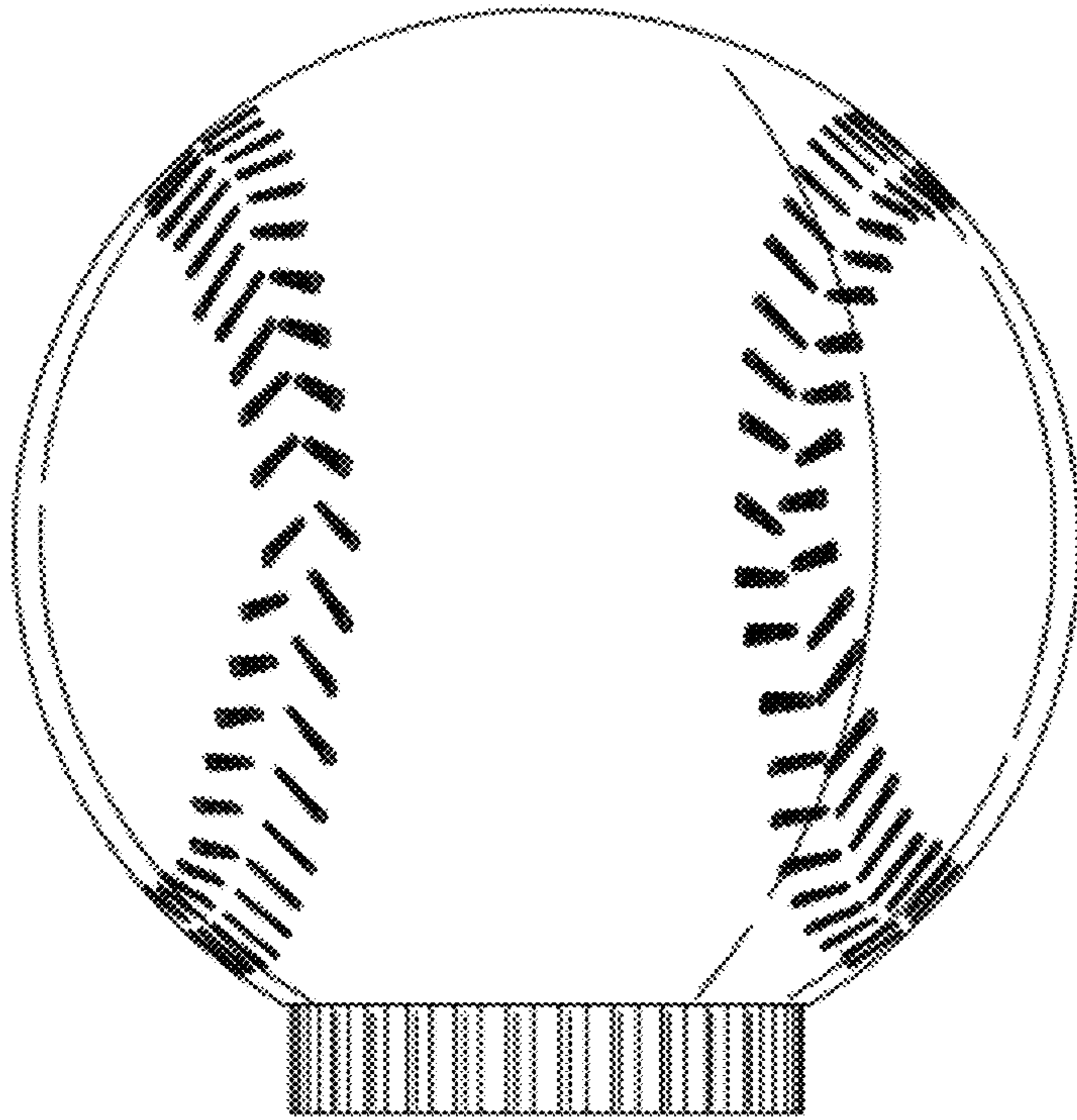


FIG. 6

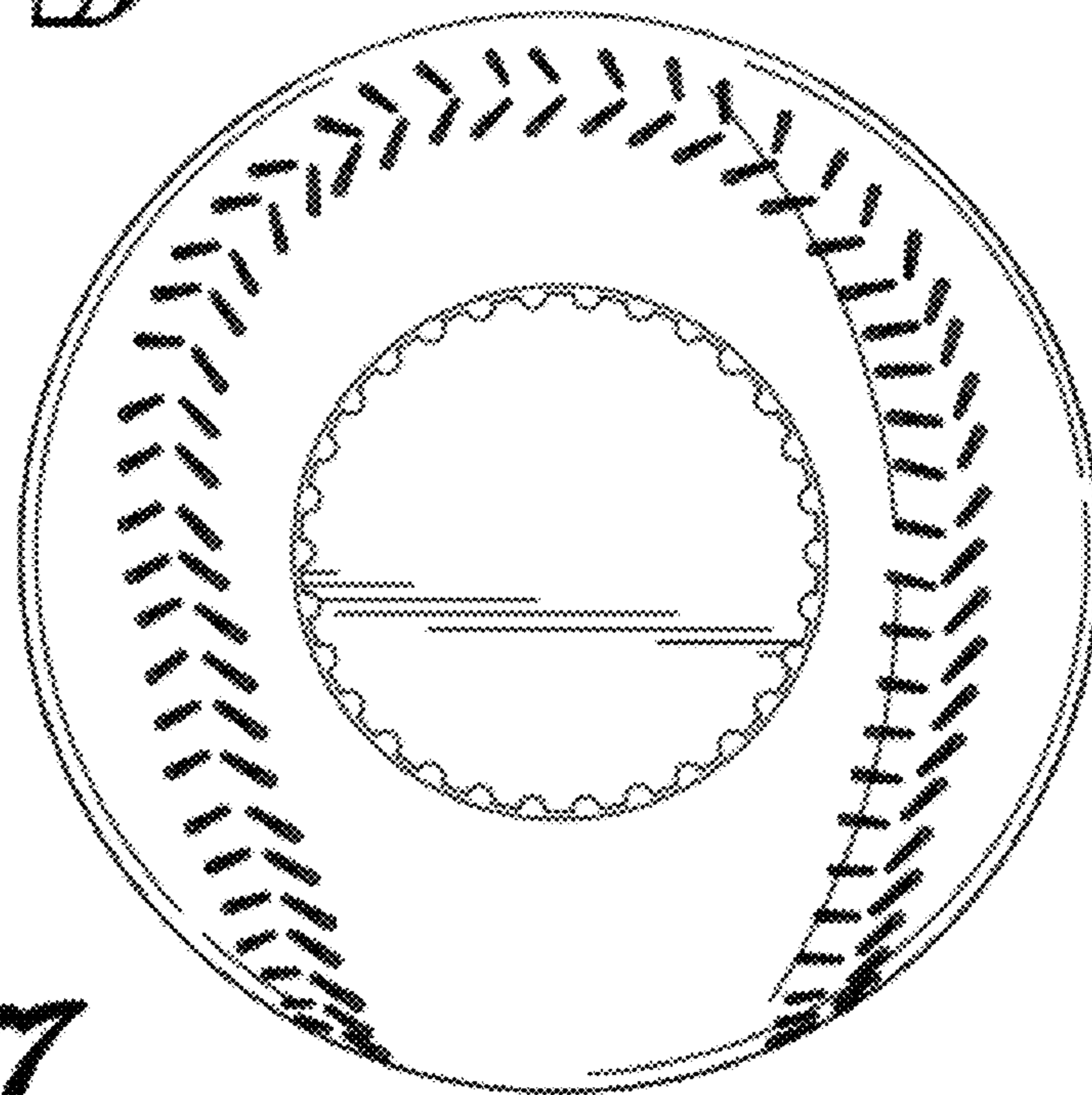


FIG. 7

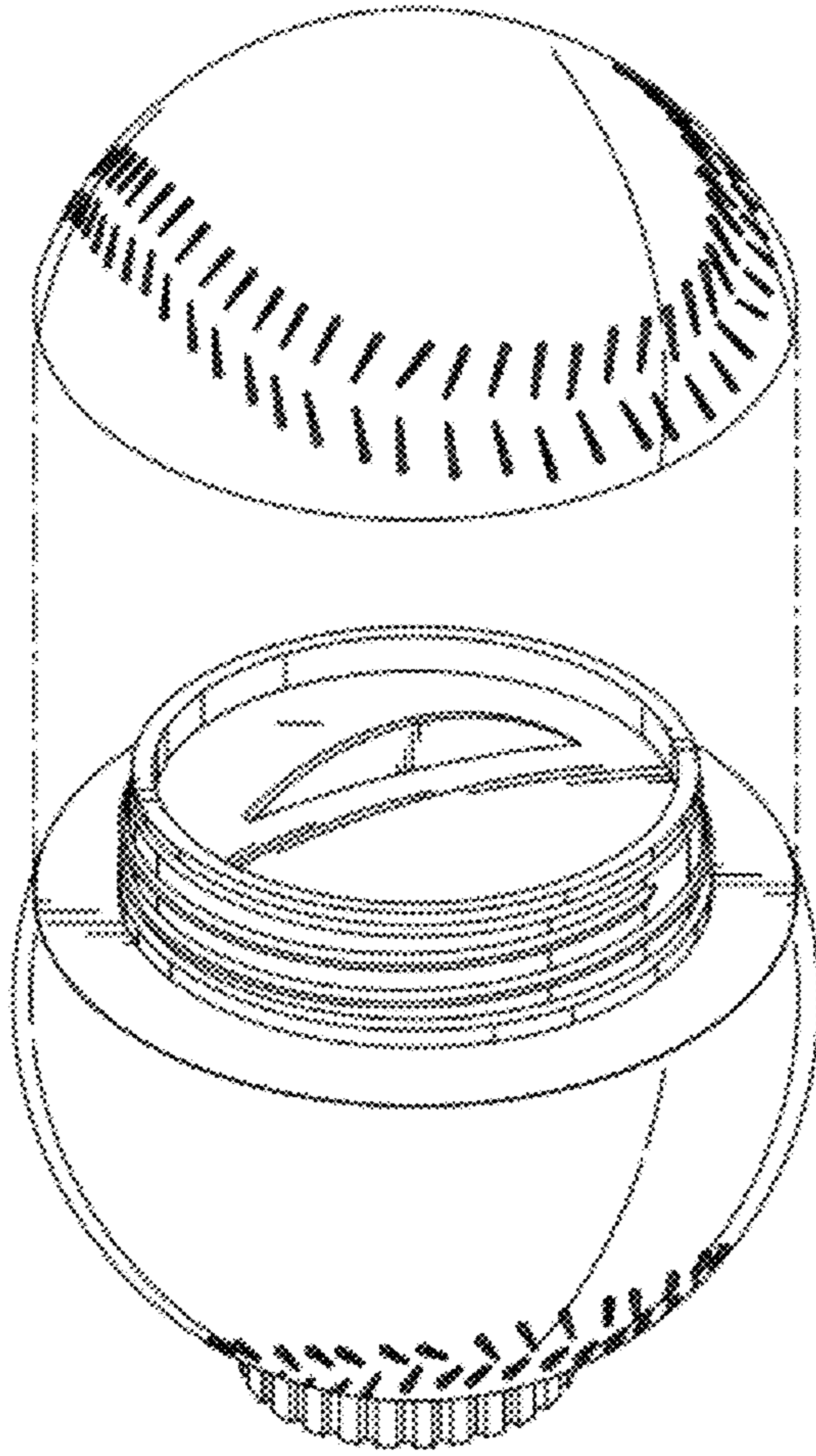


FIG. 8

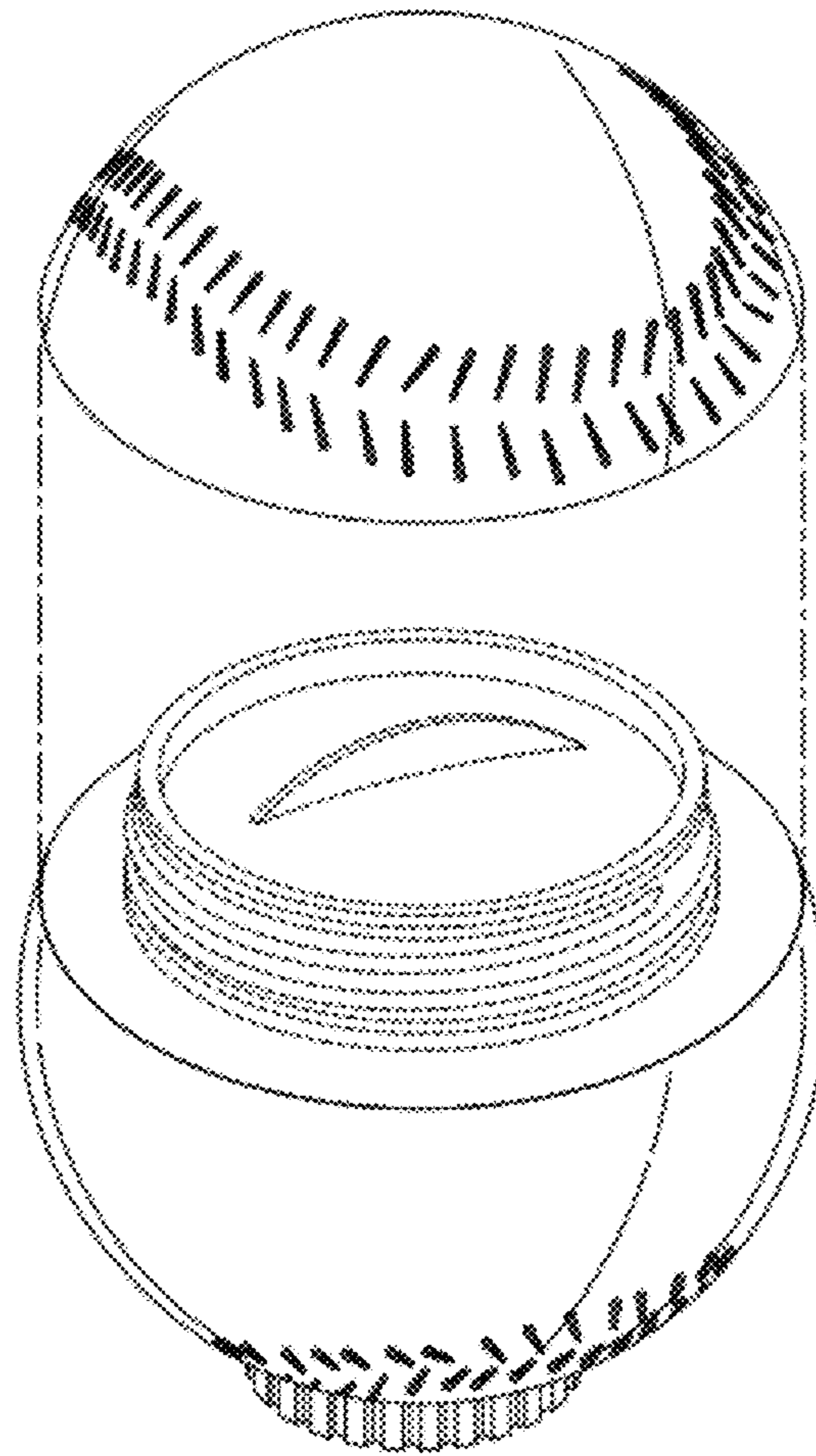


FIG. 9