



US00D664856S

(12) **United States Design Patent**
Ring et al.

(10) **Patent No.:** **US D664,856 S**

(45) **Date of Patent:** **** Aug. 7, 2012**

(54) **BOTTLE**

(76) Inventors: **Thomas J. Ring**, Palos Heights, IL (US);
John S. Letchinger, Wilmette, IL (US);
Daniel L. O'Malley, Wilmette, IL (US);
Kenneth W. Reick, Glen Ellyn, IL (US);
Linc E. Cholke, Vernon Hills, IL (US);
Kevin J. Cox, Northbrook, IL (US)

(**) Term: **14 Years**

(21) Appl. No.: **29/405,724**

(22) Filed: **Nov. 4, 2011**

Related U.S. Application Data

(60) Continuation of application No. 29/387,755, filed on Mar. 17, 2011, now Pat. No. Des. 653,546, which is a division of application No. 29/357,290, filed on Mar. 10, 2010, now abandoned.

(51) **LOC (9) Cl.** **09-01**

(52) **U.S. Cl.** **D9/558; D9/453; D9/520; D9/571**

(58) **Field of Classification Search** D9/500,
D9/503, 504, 516, 520, 529, 548, 549, 551,
D9/556, 558, 571, 574, 434, 453, 454, 737,
D9/738, 744, 745, 746; D7/509, 511, 601,
D7/602, 612; 215/379, 381-385; 220/600,
220/608, 609, 660, 669, 675, 602, 662, 665

See application file for complete search history.

(56) **References Cited**

U.S. PATENT DOCUMENTS

59,687 A 11/1866 Waldstein et al.
315,095 A 4/1885 Waters

393,255 A 11/1888 Meier
469,001 A 2/1892 Sherman
544,219 A * 8/1895 Godet 215/6
614,031 A 11/1898 Snoeck
D37,700 S 11/1905 Hyatt
1,289,218 A * 12/1918 Maiden 215/6
1,434,460 A 11/1922 Tibbatts

(Continued)

FOREIGN PATENT DOCUMENTS

WO WO9937190 7/1999

(Continued)

OTHER PUBLICATIONS

Office Action dated Feb. 1, 2011 for U.S. Appl. No. 29/357,290, 14 pages.

(Continued)

Primary Examiner — Elizabeth J Oswecki

(74) *Attorney, Agent, or Firm* — Edwards Wildman Palmer LLP

(57) **CLAIM**

The ornamental design for a bottle, as shown and described.

DESCRIPTION

FIG. 1 is a top perspective view of a bottle showing our new design;

FIG. 2 is a front view of the bottle of FIG. 1;

FIG. 3 is a rear view of the bottle of FIG. 1;

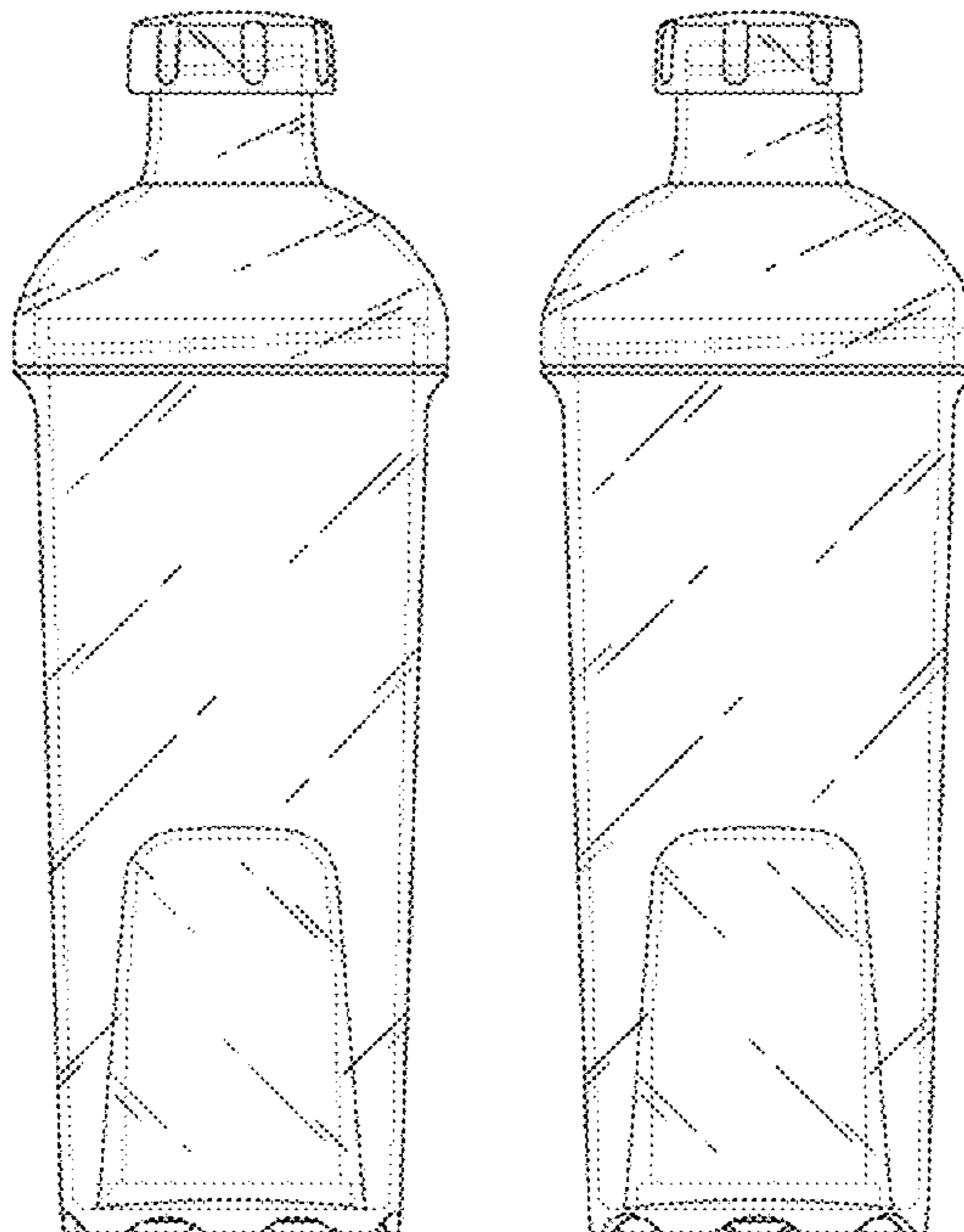
FIG. 4 is a right side elevation view of the bottle of FIG. 1;

FIG. 5 is a left side elevation view of the bottle of FIG. 1;

FIG. 6 is a top view of the bottle of FIG. 1; and,

FIG. 7 is a bottom view of the bottle of FIG. 1.

1 Claim, 4 Drawing Sheets



U.S. PATENT DOCUMENTS

2,187,558 A 1/1940 Kushima
 2,326,414 A 8/1943 Thompson
 D155,564 S 10/1949 Ackerman
 2,776,066 A 1/1957 Thornton
 2,786,769 A 3/1957 Greenspan
 3,071,281 A 1/1963 Shinichi
 3,124,264 A 3/1964 Waisberg
 3,189,242 A 6/1965 Orr
 3,233,727 A 2/1966 Wilson
 3,741,383 A 6/1973 Wittwer
 3,888,376 A * 6/1975 Cooke 215/217
 D237,855 S 12/1975 Achenback
 4,084,716 A 4/1978 Bogert
 4,084,717 A 4/1978 King
 4,793,476 A * 12/1988 Schrupp 206/222
 D302,943 S 8/1989 Cuzenza
 4,859,423 A 8/1989 Perlman
 D315,095 S 3/1991 Wright
 5,035,931 A 7/1991 Yamada et al.
 D329,962 S 10/1992 Hestehave et al.
 5,189,892 A 3/1993 Roberts
 5,244,122 A 9/1993 Botts
 D342,868 S 1/1994 Lin
 5,467,877 A * 11/1995 Smith 215/11.1
 5,487,486 A 1/1996 Meneo
 D370,411 S 6/1996 Vernon, IV
 5,611,776 A 3/1997 Simmons et al.
 D378,976 S * 4/1997 Joergensen D7/612
 5,617,966 A 4/1997 Bral
 D389,403 S 1/1998 Rahr
 5,769,680 A * 6/1998 Hoffman 446/75
 D400,005 S * 10/1998 Wolff D7/612
 5,829,607 A 11/1998 Ibrahim
 5,881,868 A * 3/1999 Soyak et al. 206/213.1
 D410,548 S 6/1999 Chomik
 6,005,204 A 12/1999 Choi et al.
 D421,572 S * 3/2000 Herrmann D9/503
 6,116,439 A 9/2000 Yaniv
 D433,633 S * 11/2000 La Fata D9/502
 6,159,513 A * 12/2000 Judlowe et al. 426/115
 6,179,153 B1 1/2001 Huang
 D454,068 S 3/2002 Hanson
 D478,511 S * 8/2003 Reynolds D9/502
 6,629,618 B1 10/2003 Volan
 D489,228 S 5/2004 Gindi et al.
 D489,627 S * 5/2004 Klitsner et al. D9/502
 6,739,749 B2 5/2004 Hsiao
 D491,066 S 6/2004 Le Goff
 D499,342 S * 12/2004 Klitsner et al. D9/502
 D517,869 S 3/2006 Graves et al.
 D526,855 S * 8/2006 Wolff D7/612
 D532,257 S 11/2006 Mansfield
 D538,640 S * 3/2007 Limber D9/745
 D538,641 S 3/2007 Limber
 D539,664 S * 4/2007 Janky D9/629
 D540,189 S 4/2007 Larocca

D540,190 S 4/2007 Larocca
 D540,679 S * 4/2007 Tanner D9/503
 D543,411 S 5/2007 Rittberg
 D549,095 S * 8/2007 Blasko et al. D9/503
 7,287,656 B2 10/2007 Guilford et al.
 7,287,686 B2 10/2007 Guilford et al.
 D554,865 S 11/2007 Roesler
 D555,013 S 11/2007 Bartolone et al.
 D557,607 S * 12/2007 Misawa D9/503
 D558,978 S 1/2008 Roesler
 D596,944 S * 7/2009 Mueller et al. D9/516
 7,614,512 B2 * 11/2009 Nader 215/6
 D614,031 S * 4/2010 Creed et al. D9/503
 D614,493 S * 4/2010 Creed et al. D9/503
 D634,158 S * 3/2011 Roth et al. D7/396.2
 7,896,180 B2 * 3/2011 Kenney 215/6
 D639,114 S * 6/2011 Swinford et al. D7/532
 7,997,434 B2 8/2011 Benetti
 D646,584 S * 10/2011 Henkel et al. D9/716
 D646,585 S * 10/2011 Henkel et al. D9/716
 D648,217 S * 11/2011 Fahey et al. D9/500
 8,069,860 B2 * 12/2011 Soyak et al. 131/329
 8,100,278 B2 * 1/2012 Dlouhy 215/383
 8,105,611 B2 * 1/2012 Tong et al. 424/236.1
 D653,546 S * 2/2012 Ring et al. D9/516
 2005/0103739 A1 * 5/2005 Brown 215/6
 2005/0234422 A1 10/2005 Oh et al.
 2006/0102581 A1 5/2006 Yates, III
 2006/0213854 A1 * 9/2006 Singh et al. 215/6
 2007/0090077 A1 * 4/2007 Graber 215/10
 2008/0128378 A1 * 6/2008 Nowzari 215/6
 2008/0217280 A1 9/2008 Dekker et al.
 2008/0223808 A1 9/2008 Mendenhall et al.
 2008/0230504 A1 * 9/2008 Nowzari 215/6
 2009/0039045 A1 2/2009 Chen
 2010/0025350 A1 * 2/2010 Kenney 215/6
 2010/0116768 A1 5/2010 Kountotsis
 2010/0116769 A1 5/2010 Kountotsis

FOREIGN PATENT DOCUMENTS

WO WO02076838 10/2002

OTHER PUBLICATIONS

Office Action dated Apr. 27, 2011 for U.S. Appl. No. 29/387,755, 13 pages.
 Office Action dated Jul. 7, 2011 for U.S. Appl. No. 12/245,464, 17 pages.
 Final Office Action dated Feb. 7, 2012 for U.S. Appl. No. 12/245,464, 10 pages.
 Office Action dated Feb. 1, 2011 for U.S. Appl. No. 29/357,290, 14 pages.
 Office Action dated Jul. 7, 2011 for U.S. Appl. No. 12/245,464, 17 pages.

* cited by examiner

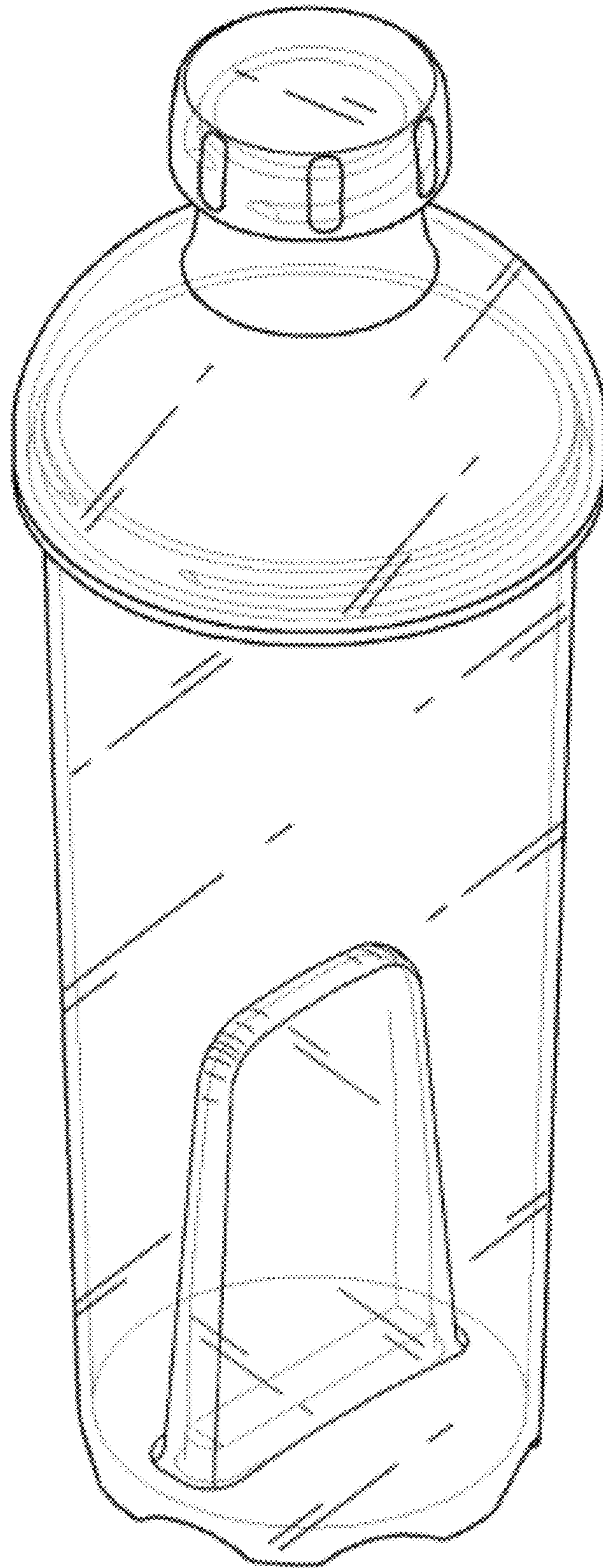


FIG. 1

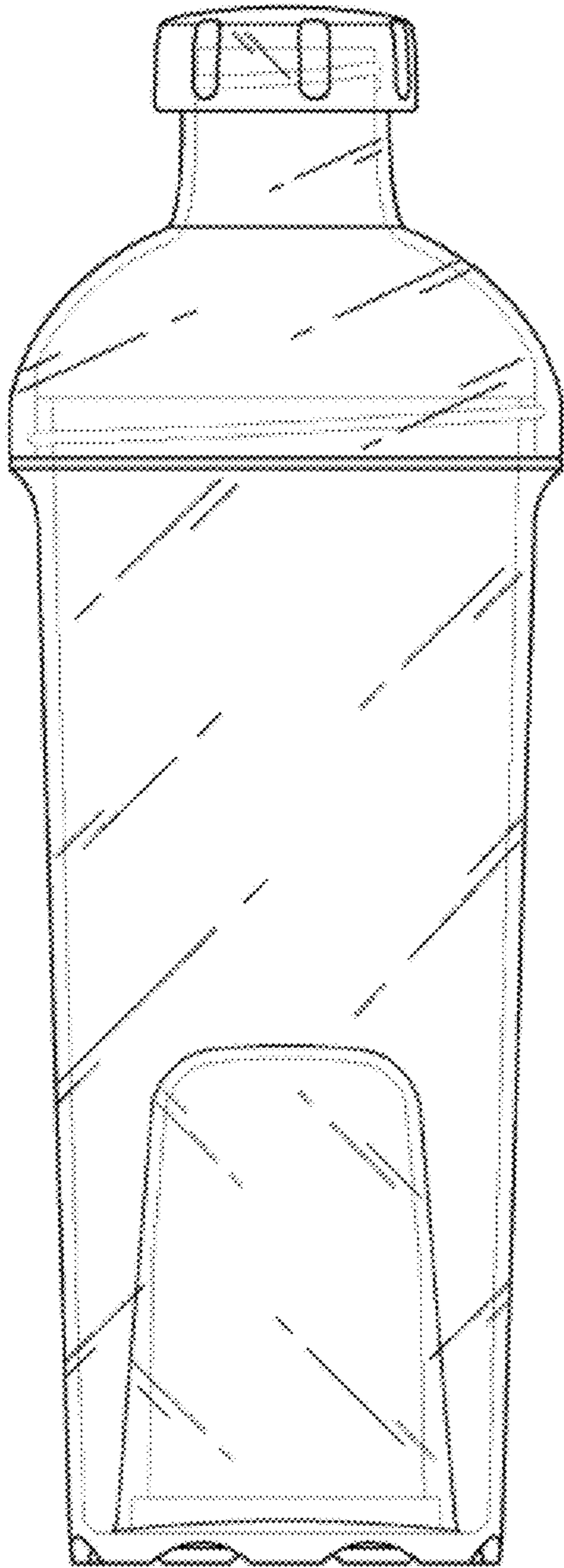


FIG. 2

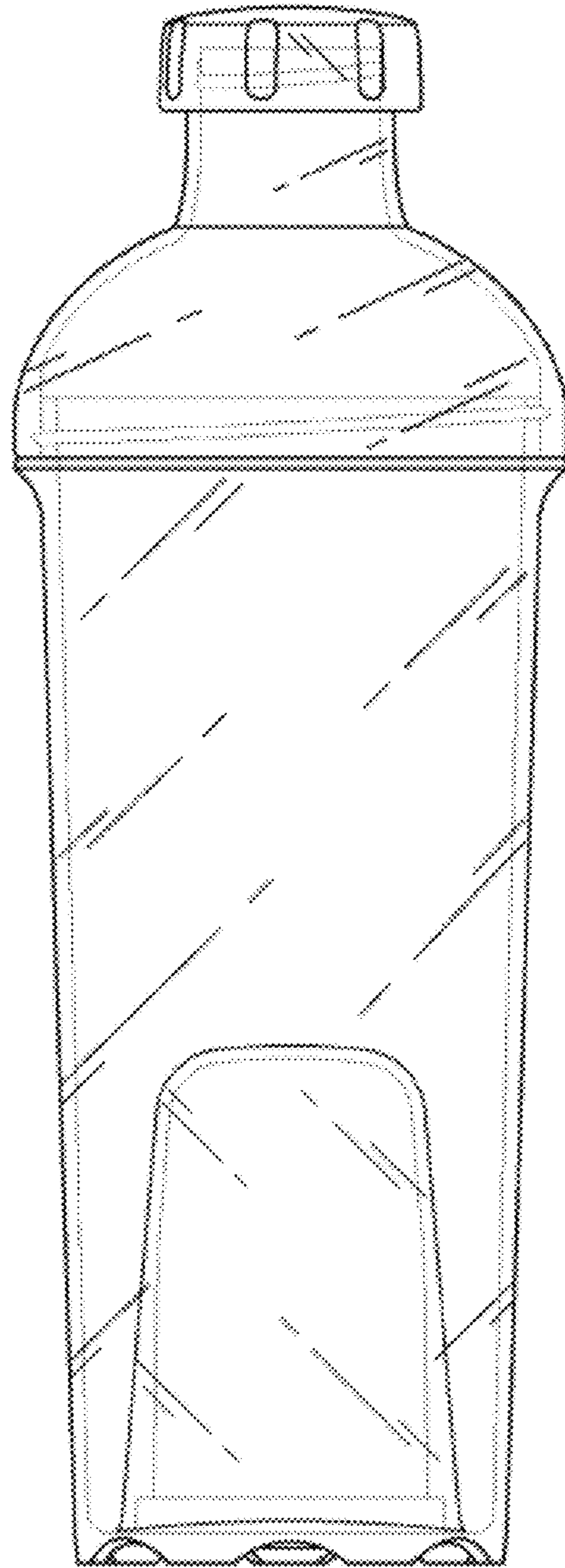


FIG. 3

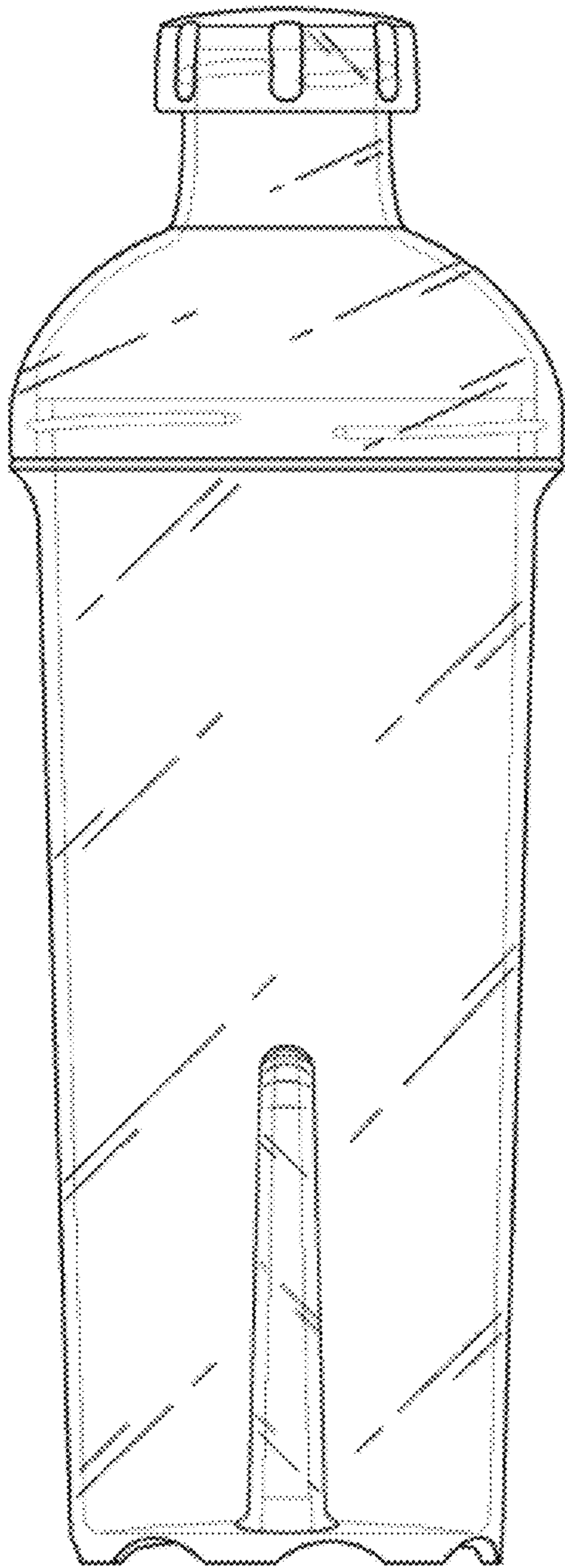


FIG. 4

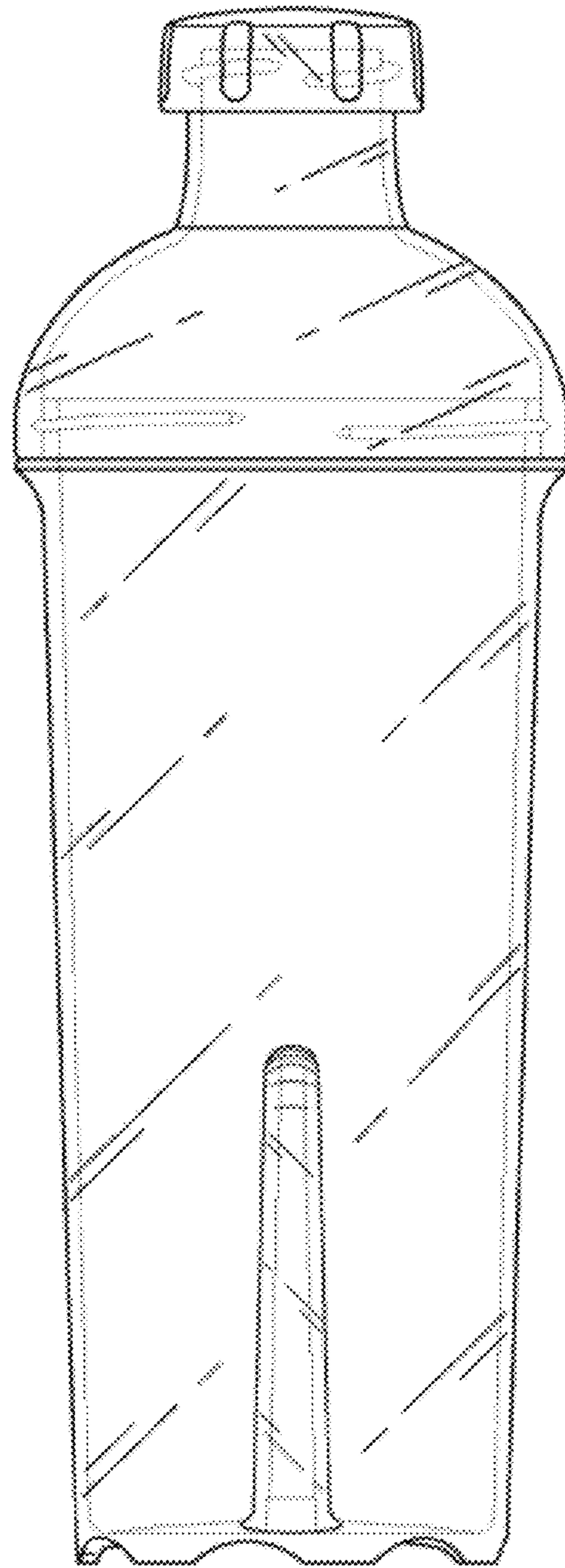


FIG. 5

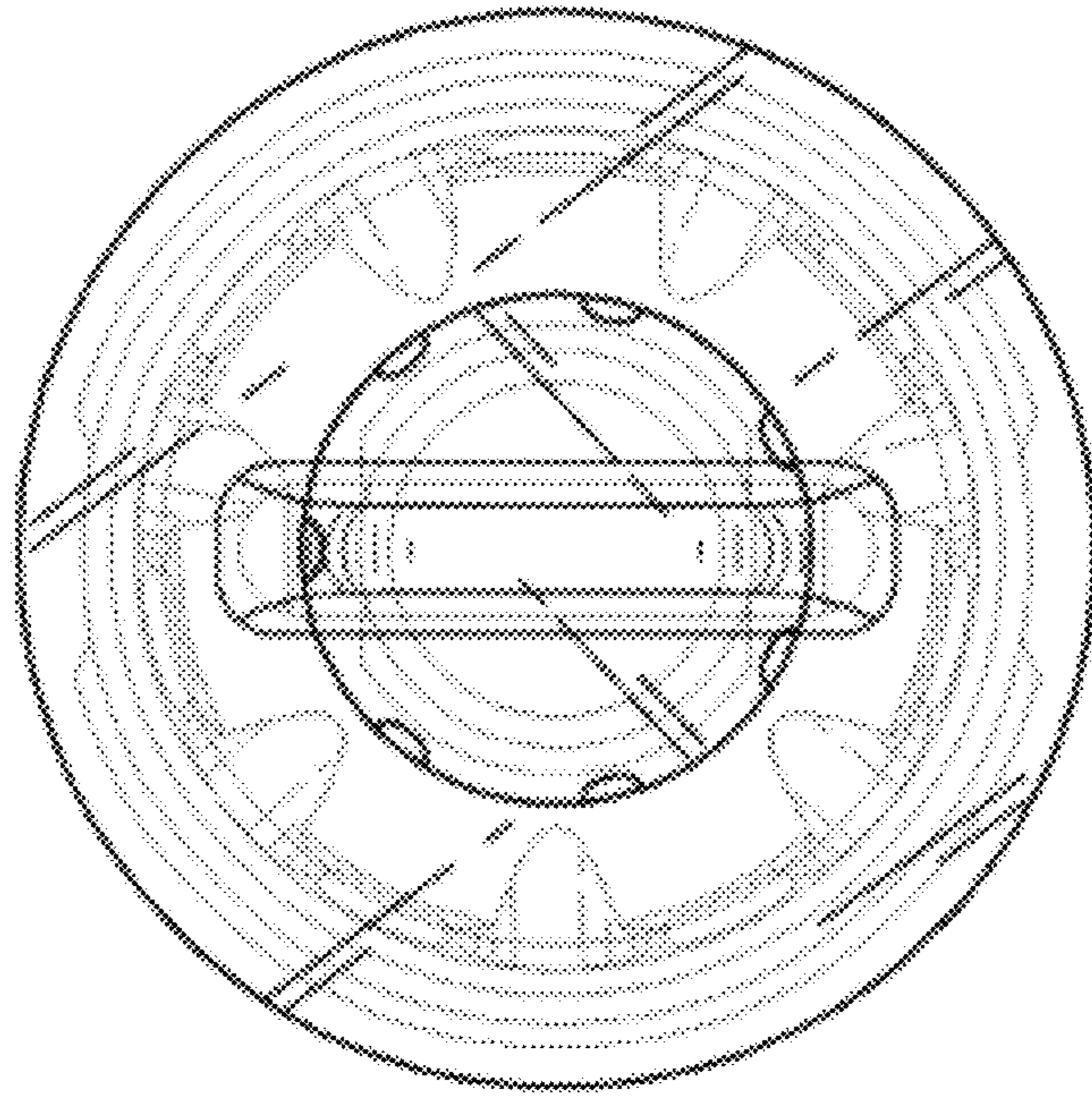


FIG. 6

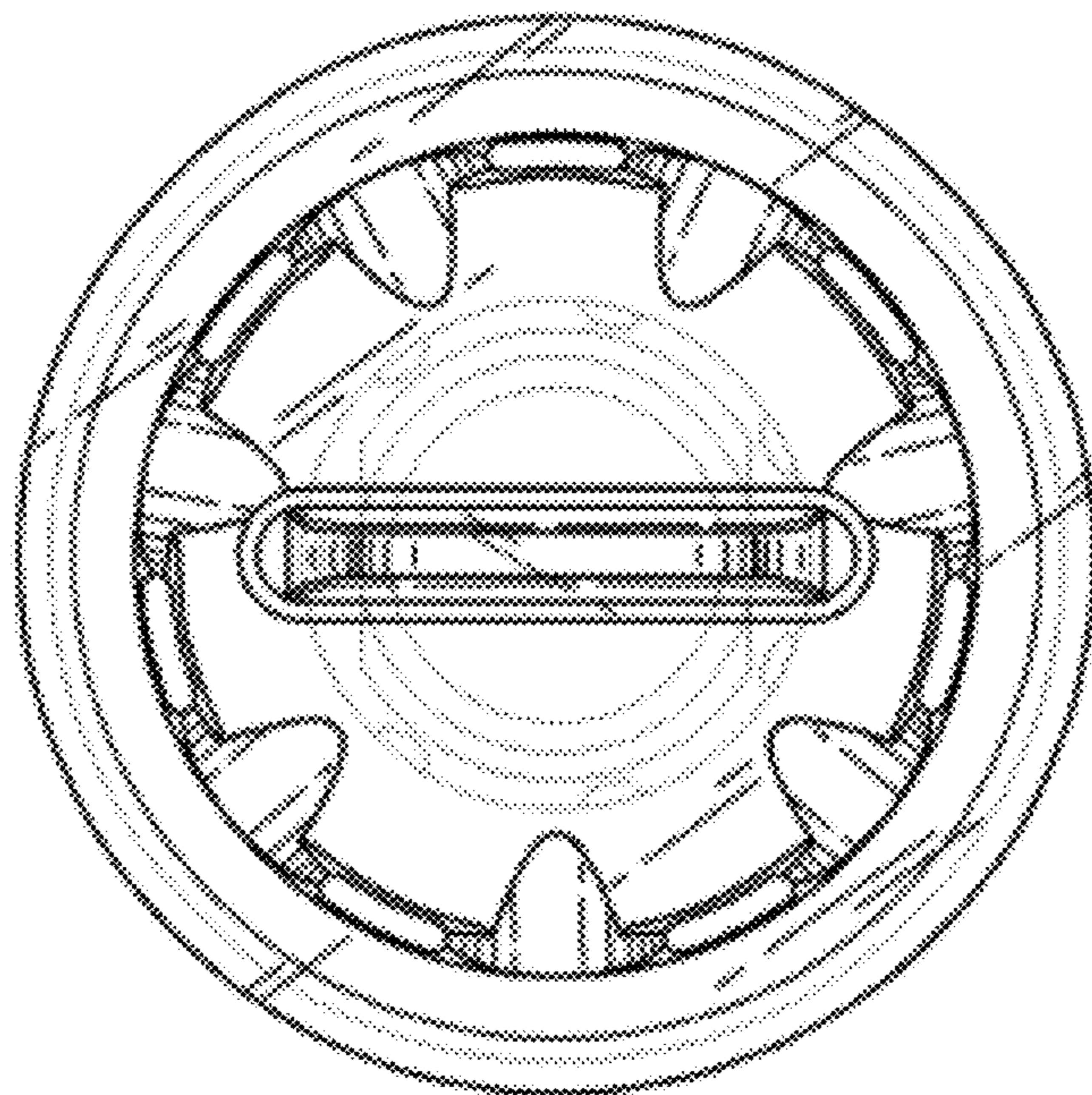


FIG. 7