



US00D664854S

(12) **United States Design Patent**
Farris

(10) **Patent No.:** **US D664,854 S**

(45) **Date of Patent:** **** Aug. 7, 2012**

(54) **WATER CONTAINER**

(76) Inventor: **Mark S. Farris**, Ketchum, ID (US)

(**) Term: **14 Years**

(21) Appl. No.: **29/398,287**

(22) Filed: **Jul. 28, 2011**

(51) **LOC (9) Cl.** **09-01**

(52) **U.S. Cl.** **D9/527**

(58) **Field of Classification Search** D9/434,
D9/435, 446, 516, 523, 524, 526-528, 530,
D9/531, 541, 559, 560, 564, 572; D23/211.1,
D23/211.2; 215/381-385; 220/660, 669,
220/679, 752

See application file for complete search history.

(56) **References Cited**

U.S. PATENT DOCUMENTS

D271,113 S	*	10/1983	Birkeland et al.	D18/43
D286,376 S	*	10/1986	Bianco	D23/211.2
D321,650 S	*	11/1991	Braginetz	D9/527
D427,062 S	*	6/2000	Alvarez et al.	D23/211.1
D433,945 S	*	11/2000	Denison	D9/527
D573,885 S	*	7/2008	Considine et al.	D9/528
D636,056 S	*	4/2011	Pritchard	D23/211.1
D650,046 S	*	12/2011	Goodwin et al.	D23/225

OTHER PUBLICATIONS

Photo of prior art military fuel container and dispenser, known as "Jerry can"; available to the public at least as early about 1940, photo 1.

Photo of prior art military fuel container and dispenser, known as "Jerry can"; available to the public at least as early about 1940, photo 2.

* cited by examiner

Primary Examiner — Stella Reid

Assistant Examiner — Keli L Hill

(74) *Attorney, Agent, or Firm* — Pedersen and Company, PLLC; Ken J. Pedersen; Barbara S. Pedersen

(57) **CLAIM**

The ornamental design for a water container, as shown and described.

DESCRIPTION

FIG. 1 is a top, front perspective view of a water container, embodying my new design;

FIG. 2 is a front view of the container embodiment depicted in FIG. 1.

FIG. 3 is a back view.

FIG. 4 is a top view.

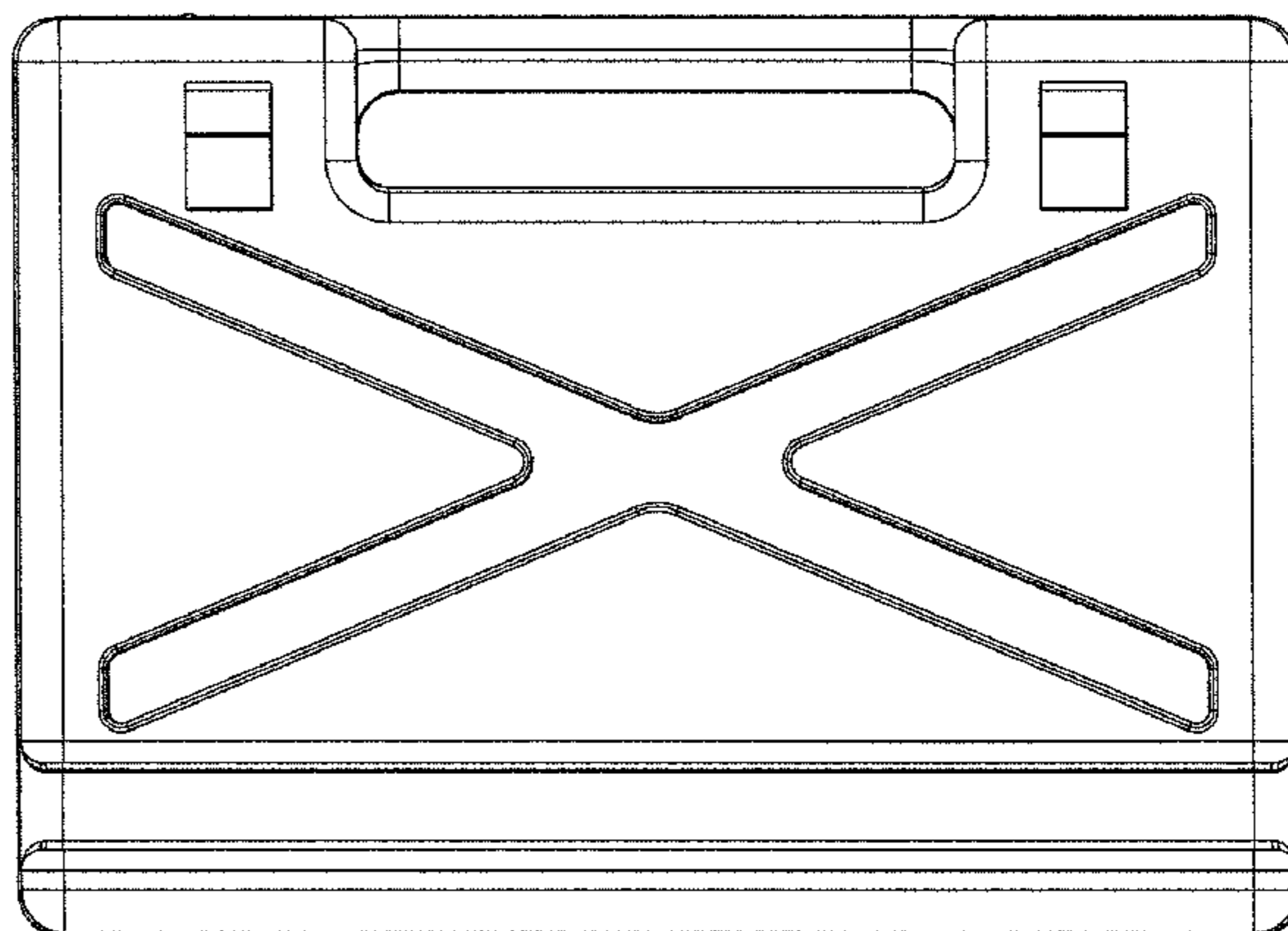
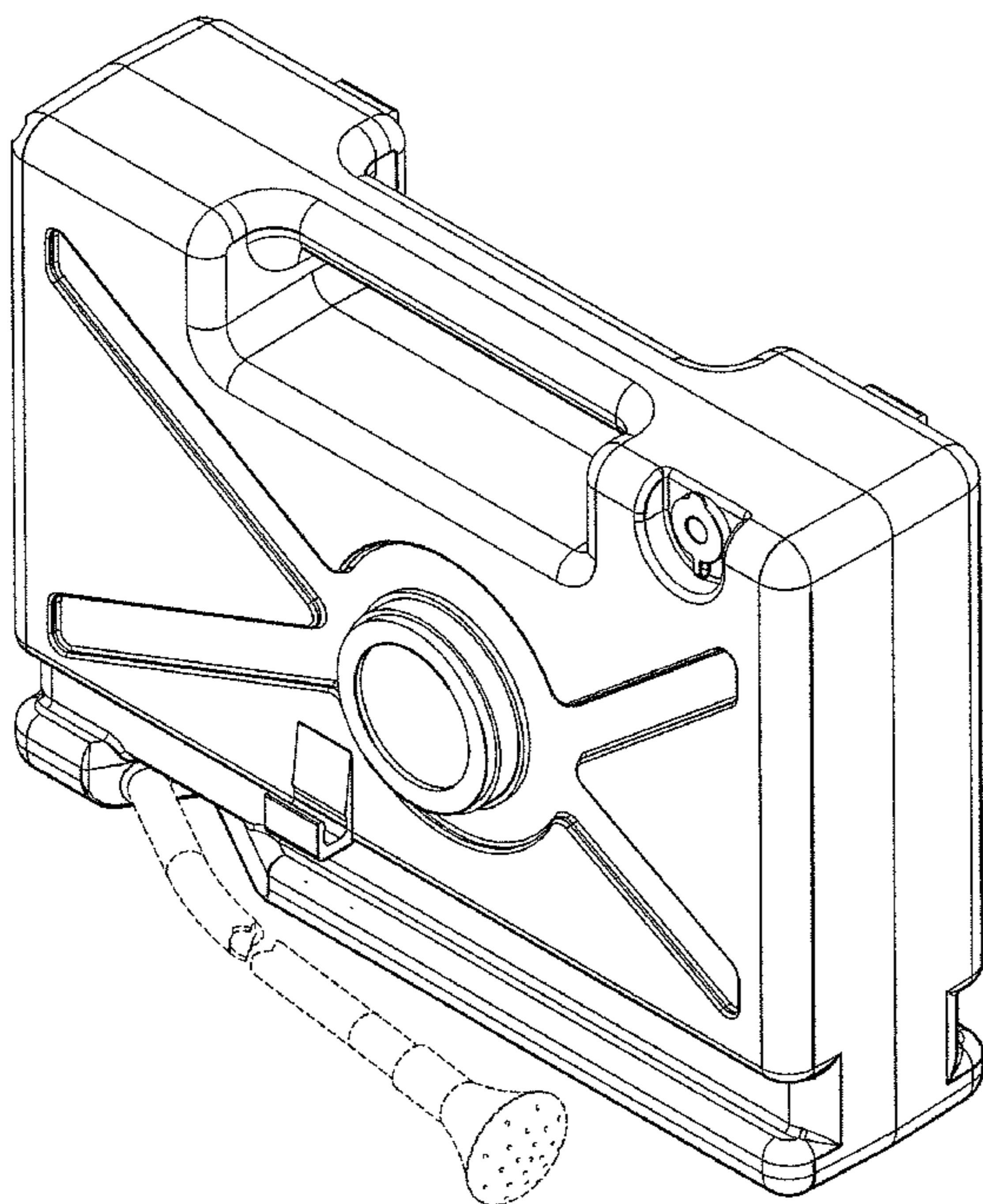
FIG. 5 is a bottom view.

FIG. 6 is a left side view; and,

FIG. 7 is a right side view.

The broken line showing of a hose and shower head in the FIG. 1 view is included for the purpose of illustrating environment of the water container and forms no part of the claimed design.

1 Claim, 5 Drawing Sheets



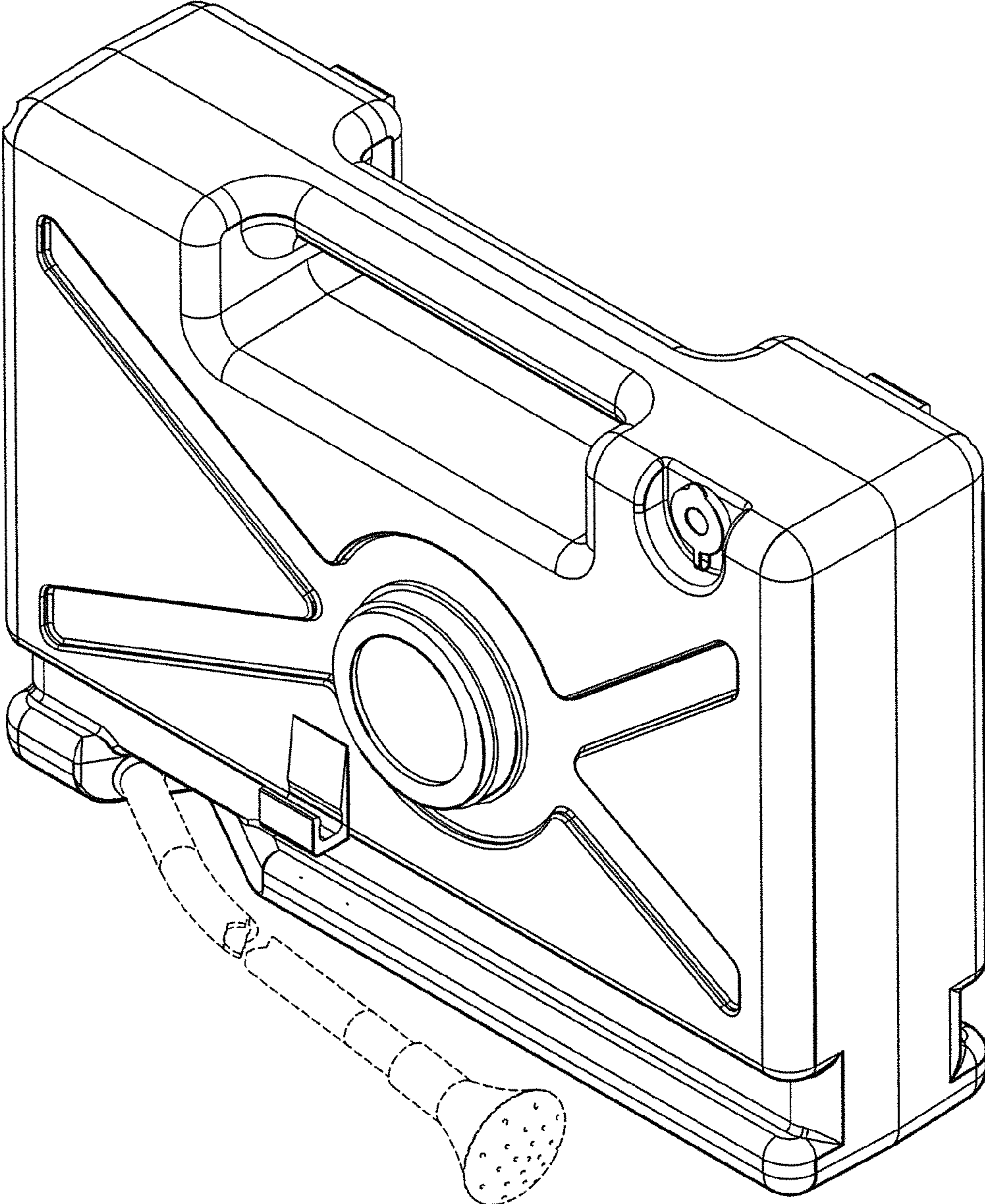


FIG. 1

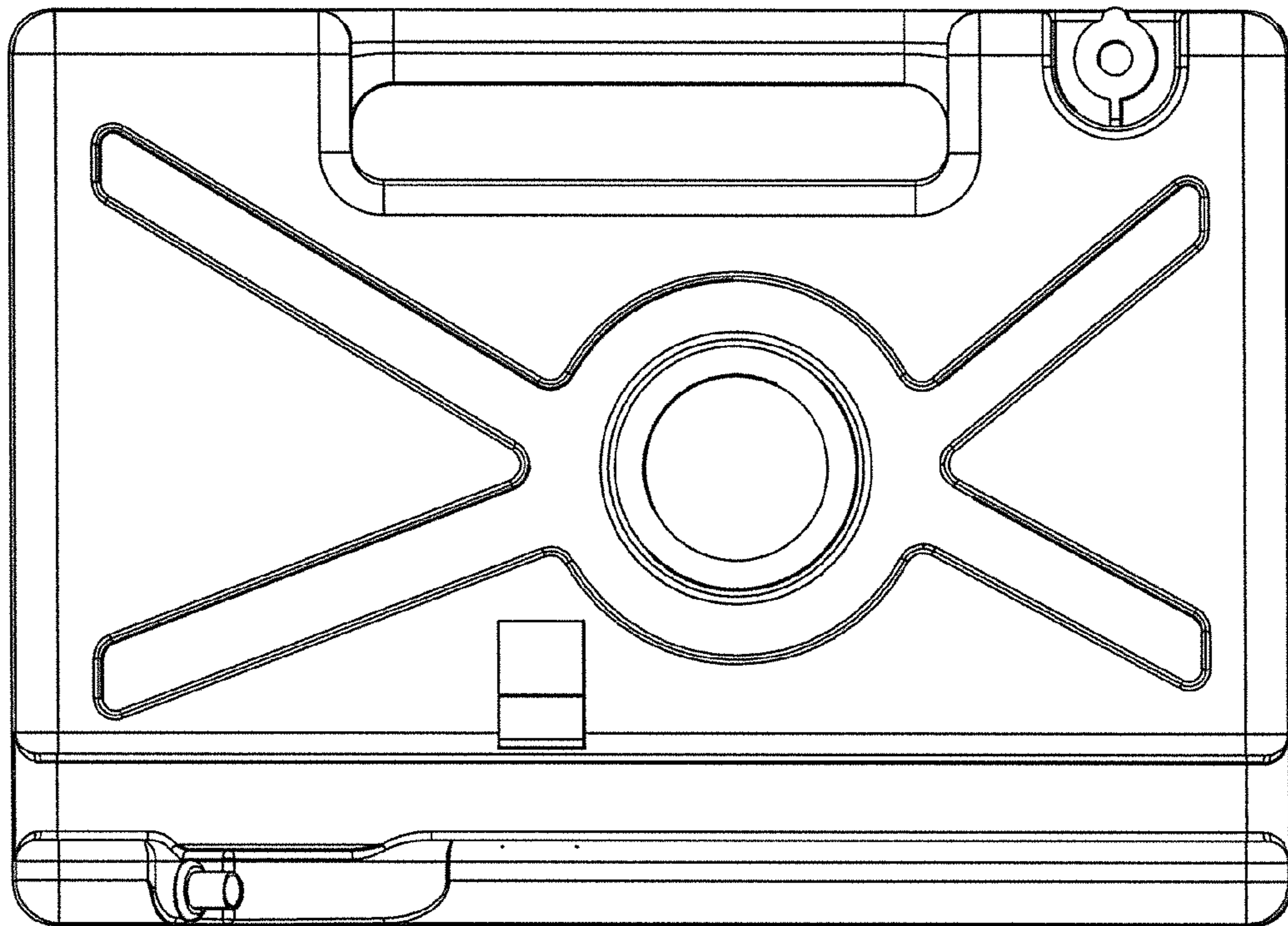


FIG.2

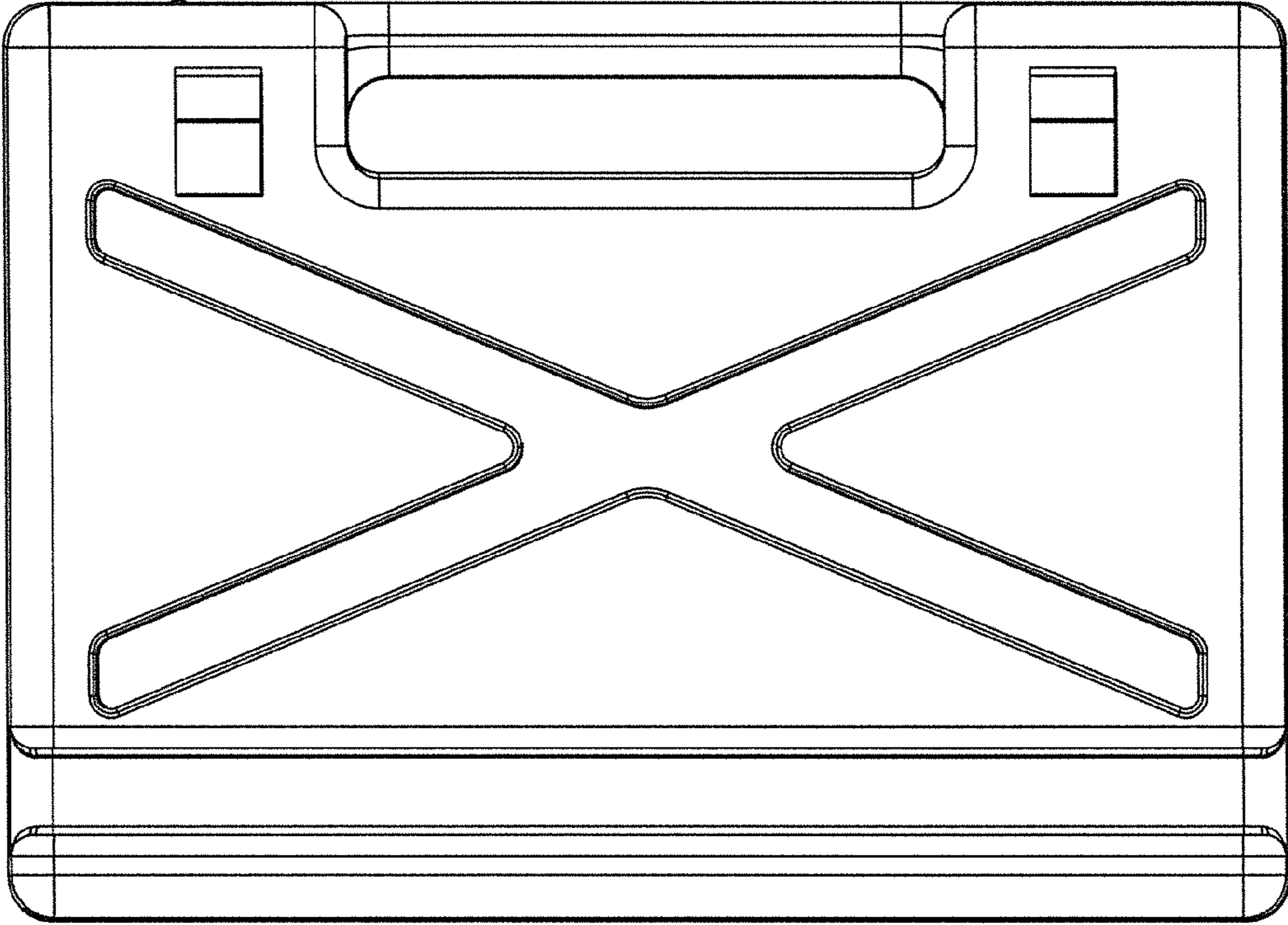


FIG.3

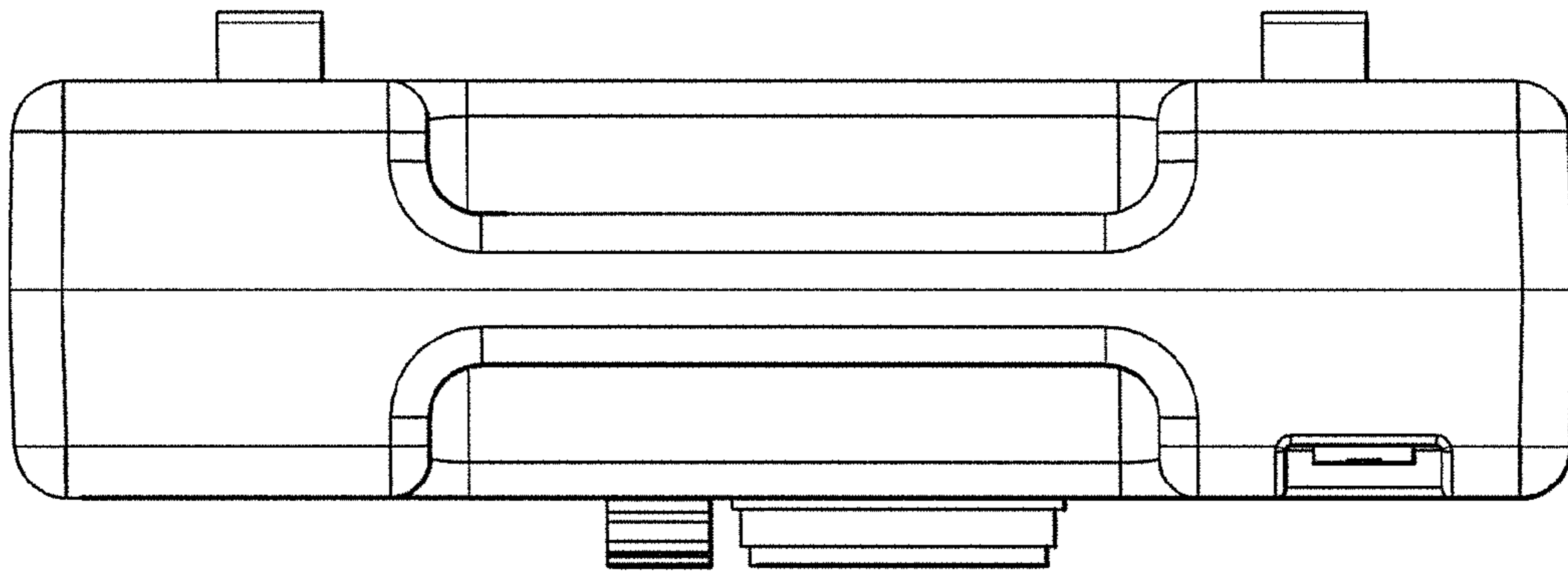


FIG. 4

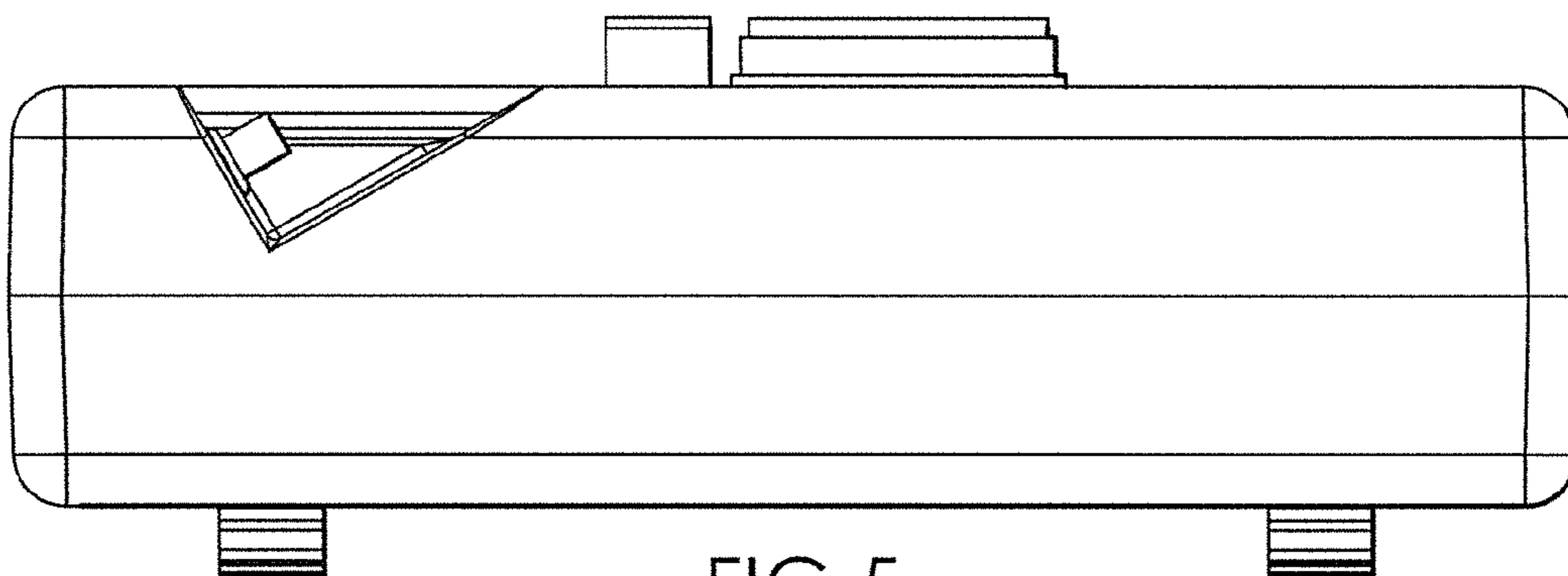


FIG. 5

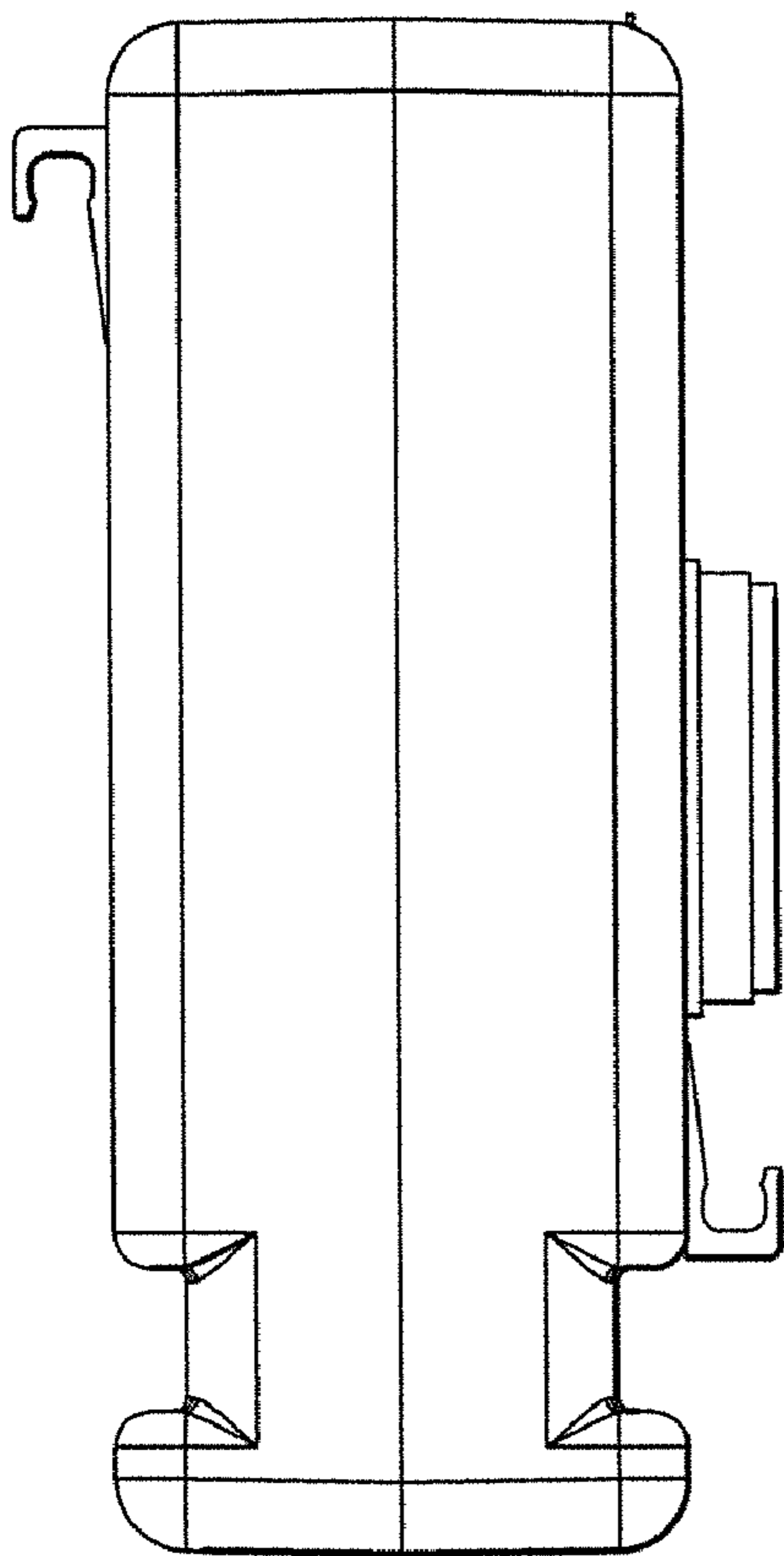


FIG. 6

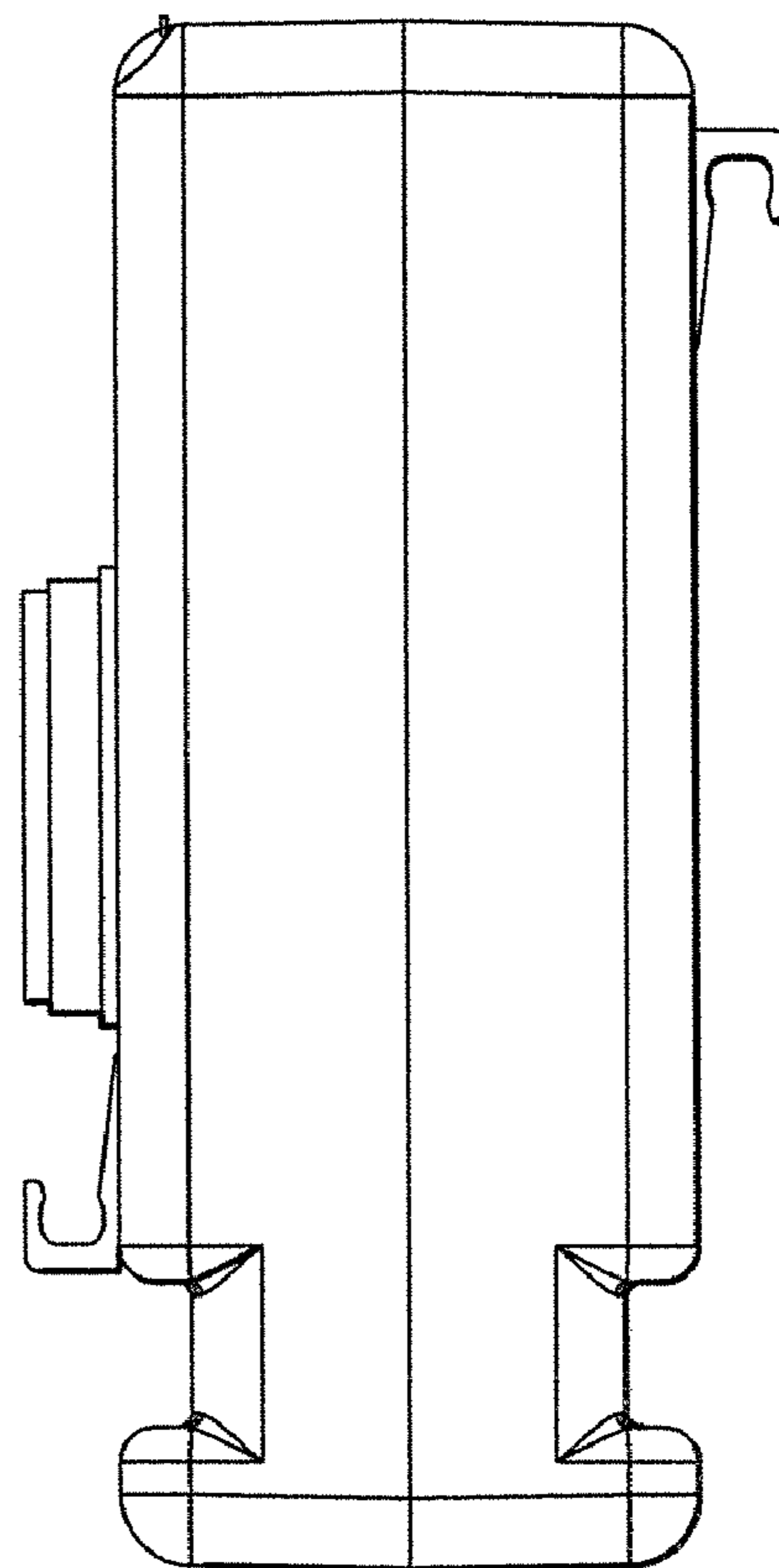


FIG. 7