

US00D664851S

(12) **United States Design Patent**
Burns et al.

(10) **Patent No.:** **US D664,851 S**
(45) **Date of Patent:** **** Aug. 7, 2012**

(54) **SUBSTRATE SHIPPER COMPONENT**

(75) Inventors: **John Burns**, Colorado Springs, CO (US); **Mark V. Smith**, Colorado Springs, CO (US); **Eric S. Olson**, Shorewood, MN (US); **Russ V. Raschke**, Chanhassen, MN (US); **Michael S. Adams**, New Prague, MN (US)

(73) Assignee: **Entegris, Inc.**, Billerica, MA (US)

(**) Term: **14 Years**

(21) Appl. No.: **29/378,153**

(22) Filed: **Oct. 29, 2010**

(51) **LOC (9) Cl.** **09-07**

(52) **U.S. Cl.** **D9/456**

(58) **Field of Classification Search** D9/456,
D9/455, 434; D3/328, 319, 313, 295, 294,
D3/273, 203.8, 203.6, 203.1, 201; D25/141,
D25/125, 123, 115, 114, 113; 428/152, 150,
428/141; 410/154; 206/711, 710

See application file for complete search history.

(56) **References Cited**

U.S. PATENT DOCUMENTS

D214,487 S * 6/1969 Reichl D9/456
D232,783 S * 9/1974 Payne D3/304

D382,405 S * 8/1997 Ohayon D3/313
D427,894 S * 7/2000 Benz et al. D8/382
D461,714 S * 8/2002 Hamada et al. D9/456
D461,715 S * 8/2002 Hamada et al. D9/456
D523,338 S * 6/2006 Hoge et al. D9/456
D564,880 S * 3/2008 Chang D9/456
D584,621 S * 1/2009 Jean D9/456
D628,484 S * 12/2010 Doster D9/456

* cited by examiner

Primary Examiner — Susan Bennett Hattan

(74) *Attorney, Agent, or Firm* — Patterson Thuent
Christensen Pedersen, P.A.

(57) **CLAIM**

We claim the ornamental design for a substrate shipper component, as shown.

DESCRIPTION

FIG. 1 is a back perspective view of a substrate shipper component according to the invention;
FIG. 2 is a front perspective thereof;
FIG. 3 is a top plan view thereof;
FIG. 4 is a side elevational view thereof;
FIG. 5 is another side elevational view thereof; and,
FIG. 6 is side perspective view thereof, the view from the opposite side being a mirror image thereof.

1 Claim, 5 Drawing Sheets

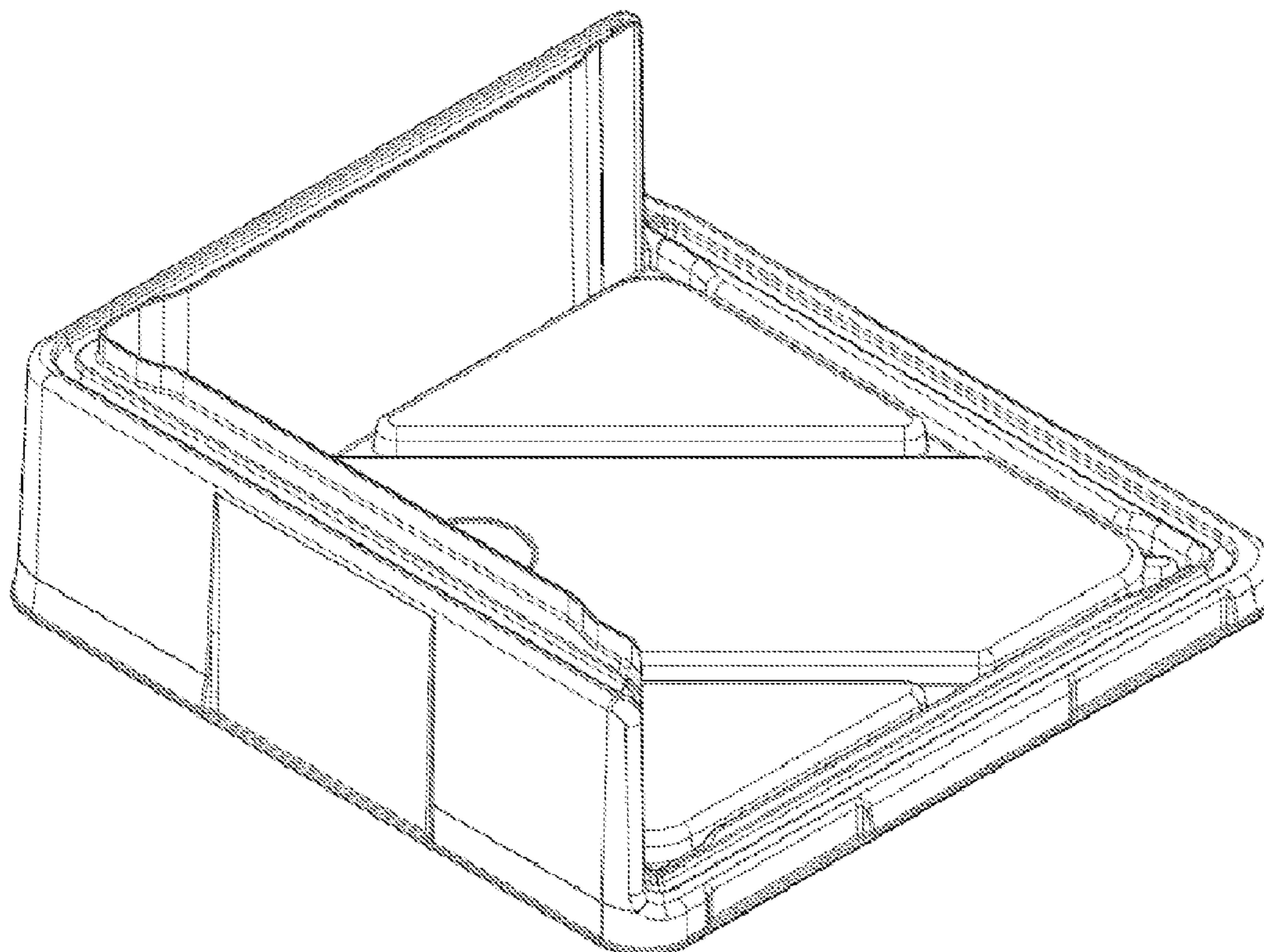


Fig. 1

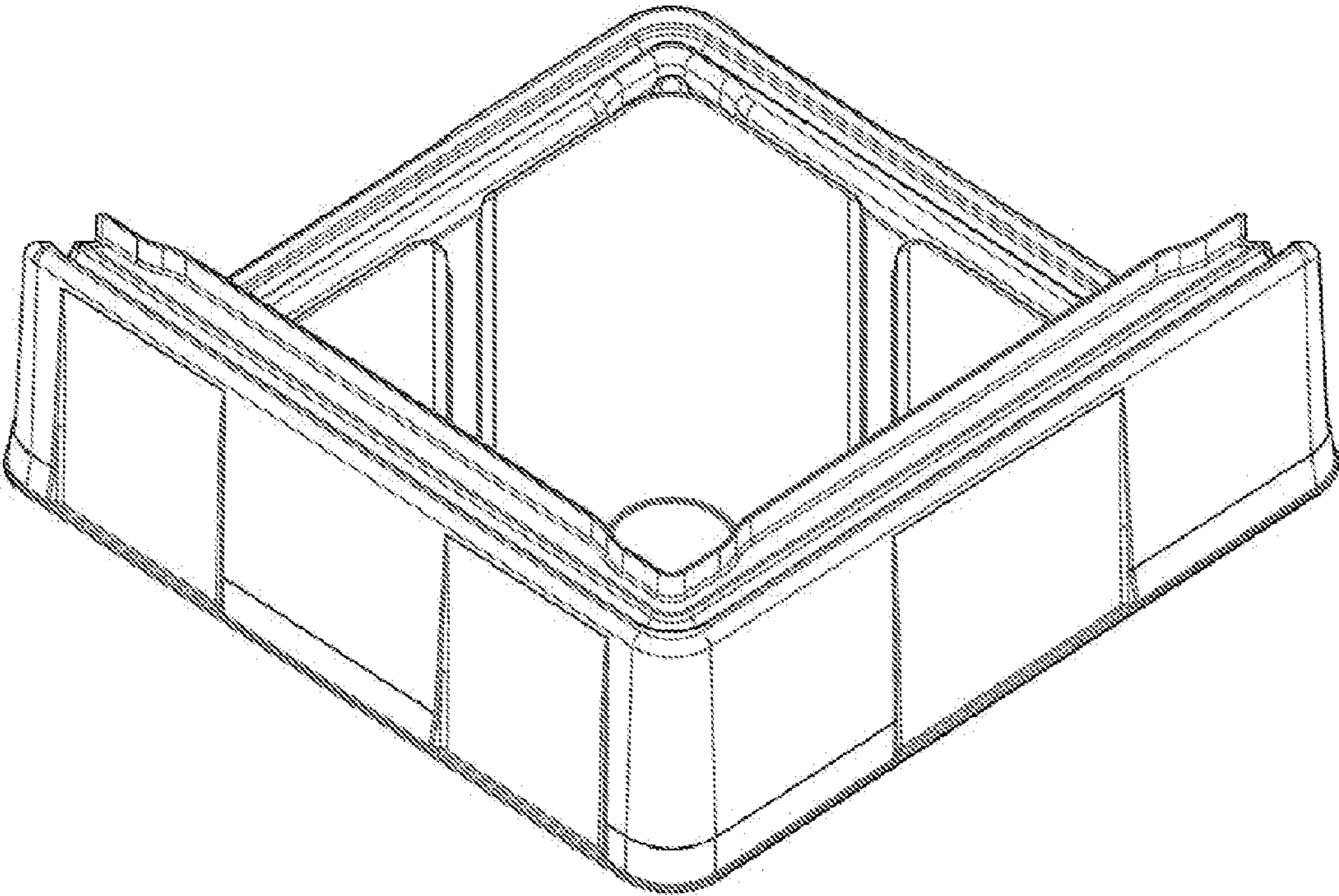


Fig. 2

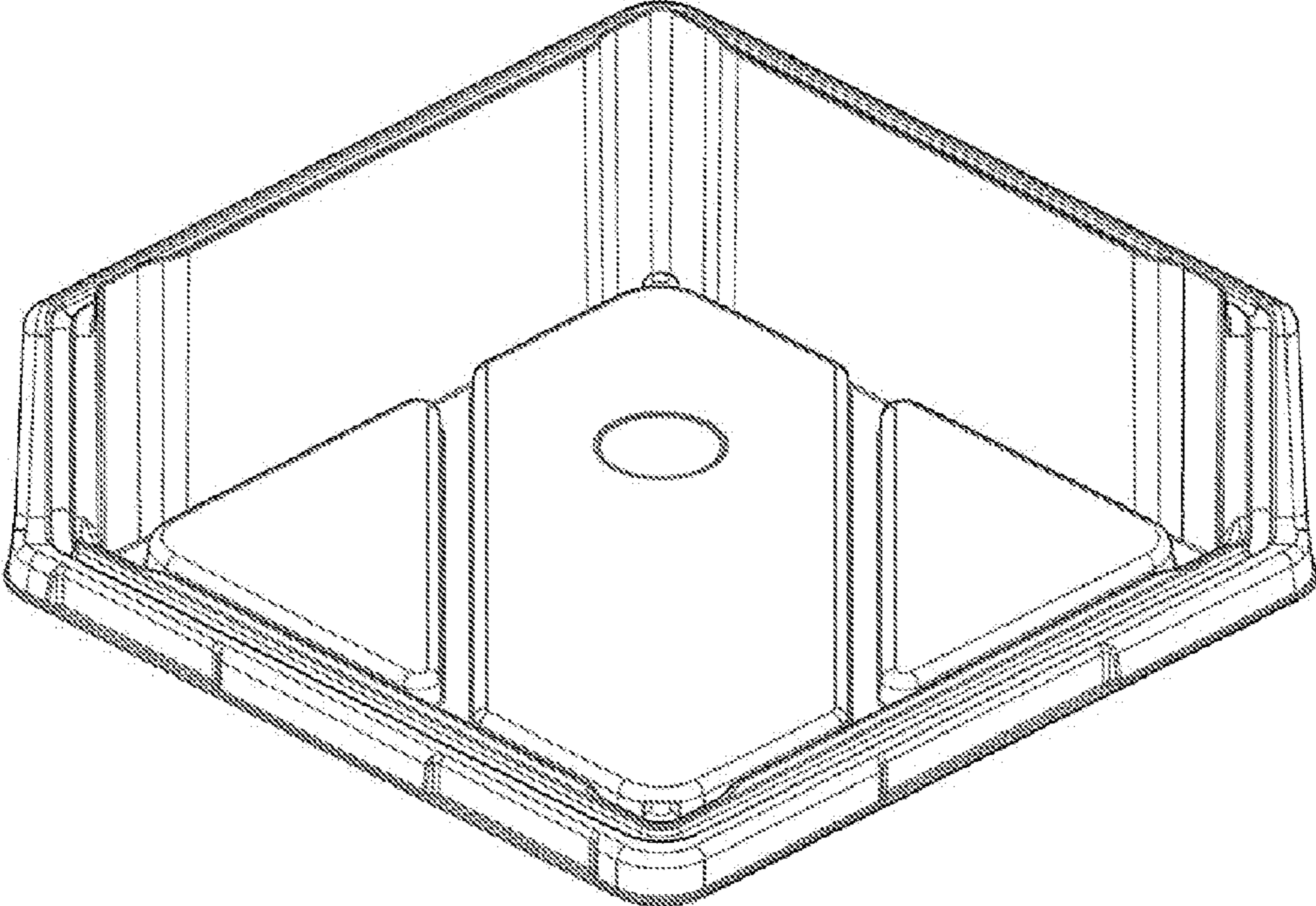


Fig. 3

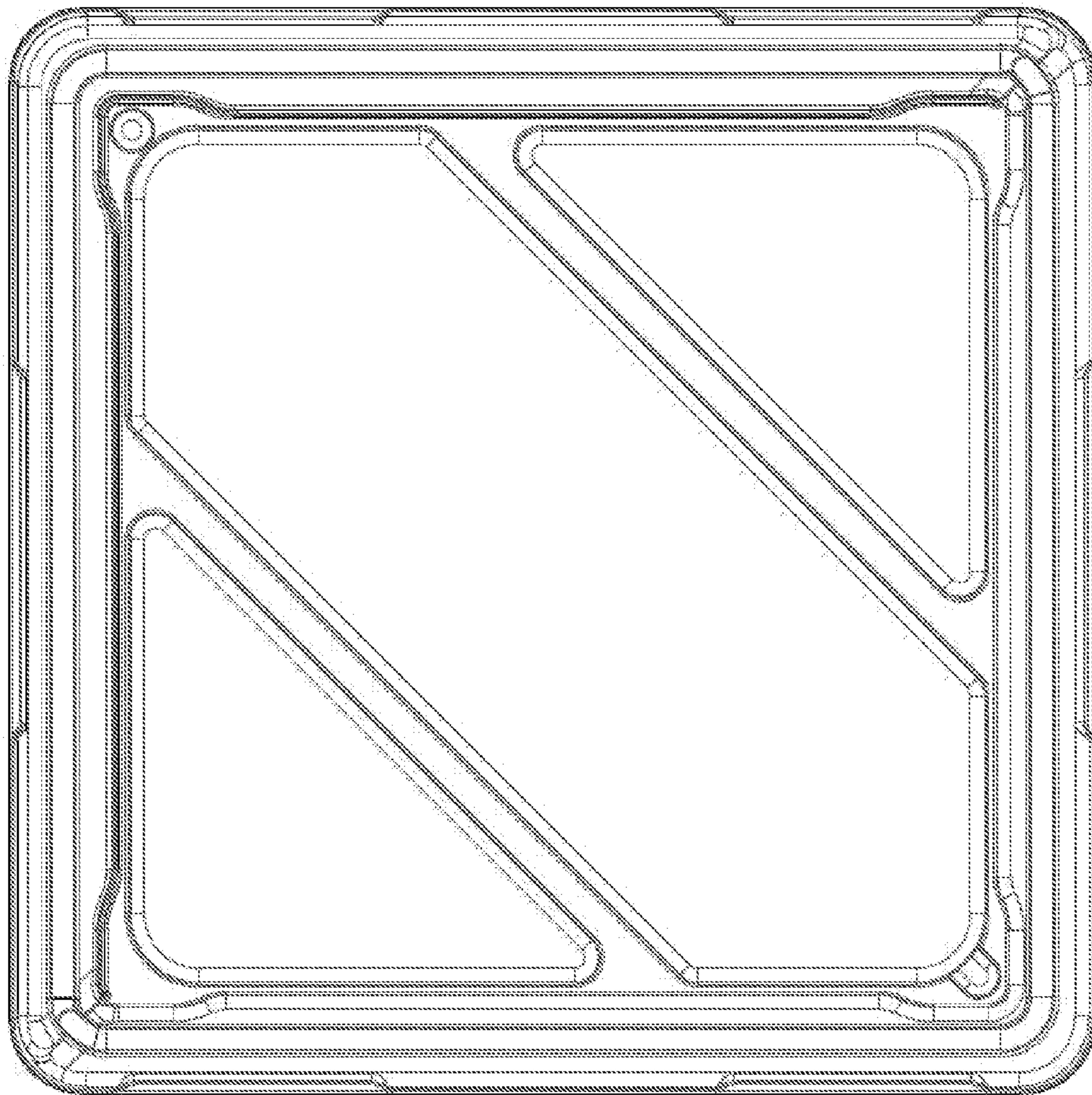


Fig. 4

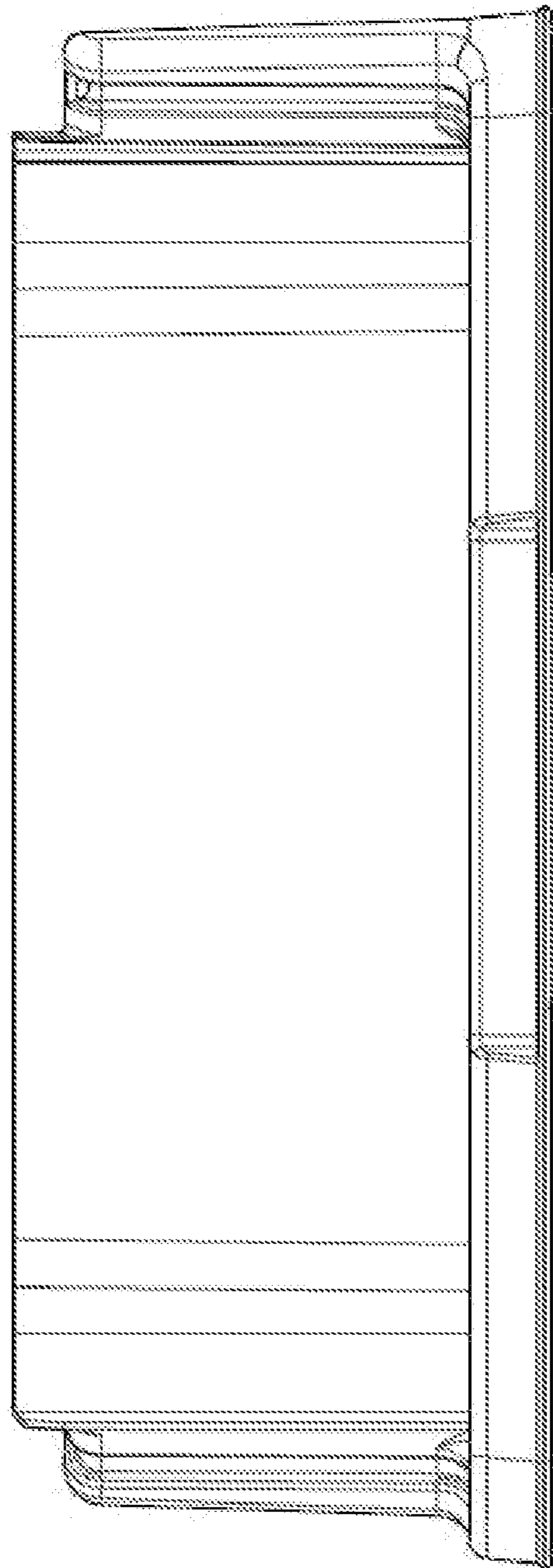


Fig. 5

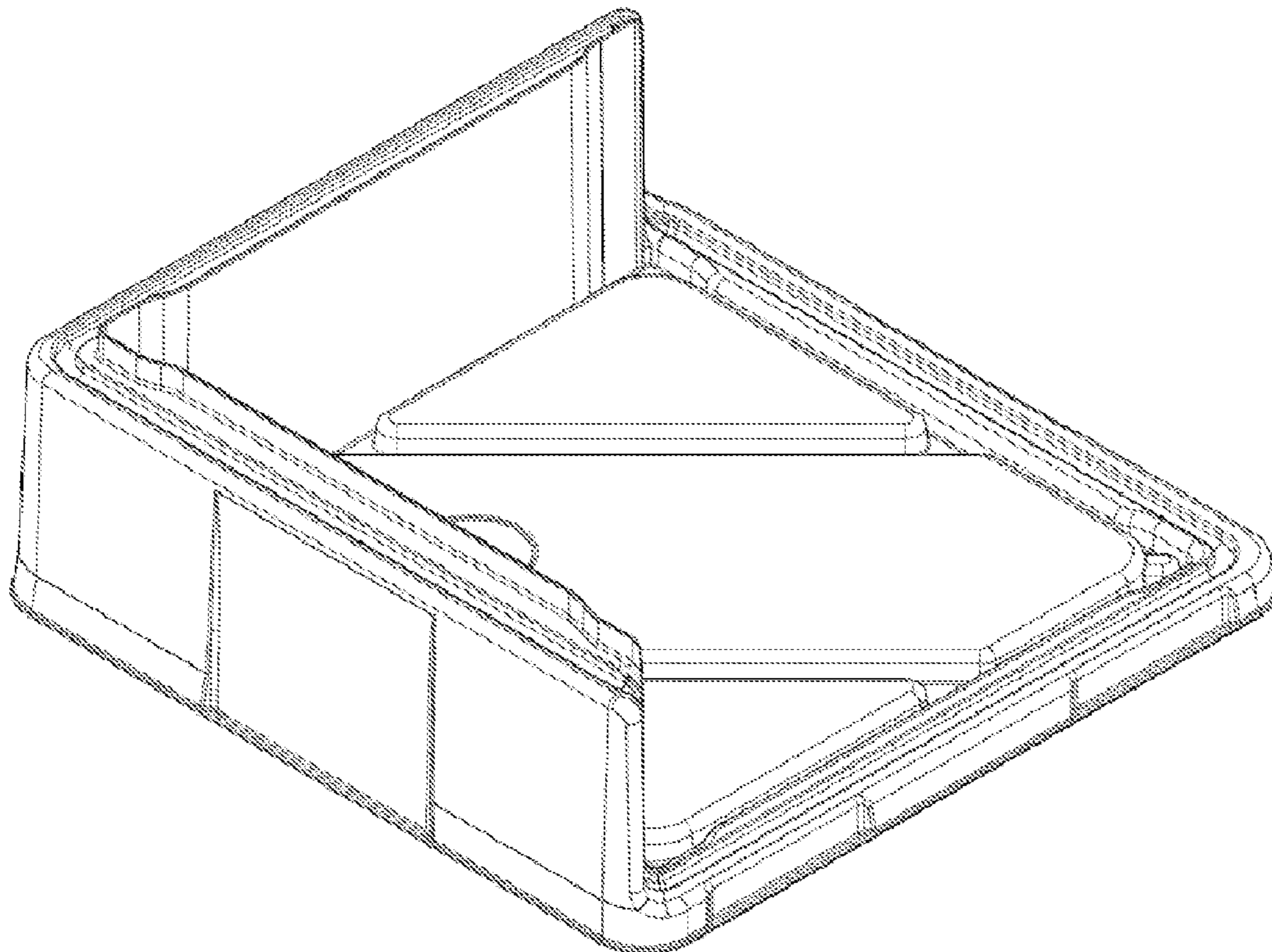
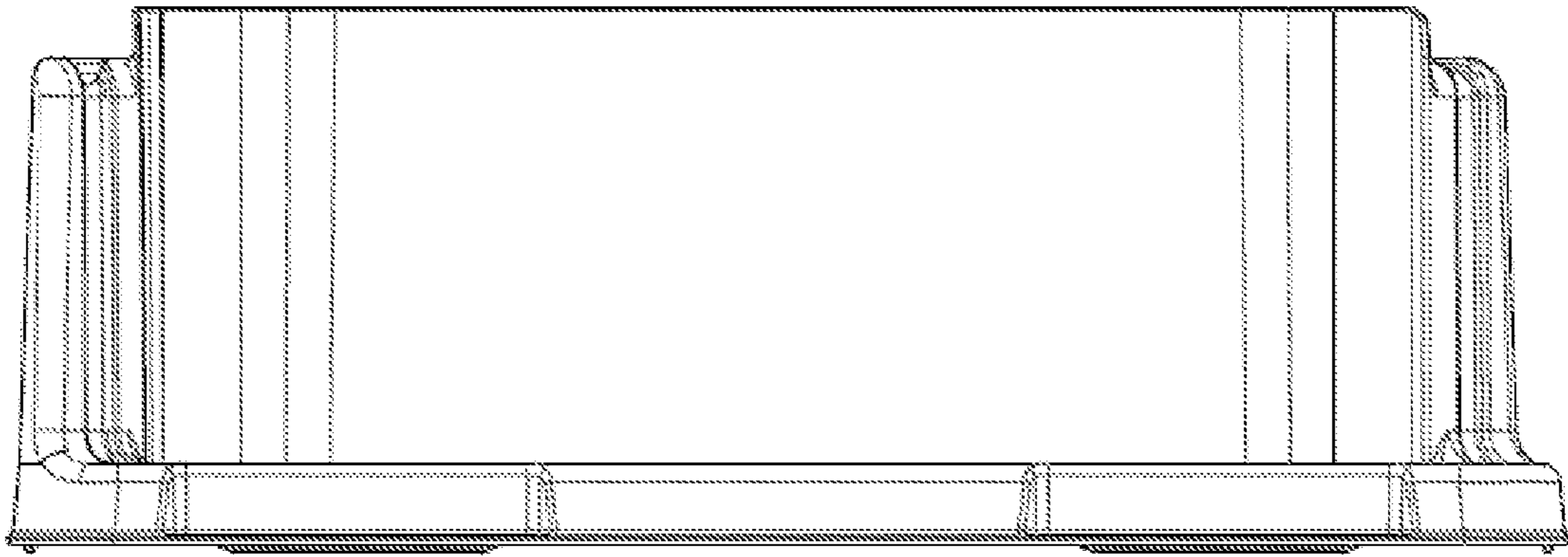


Fig. 6