



US00D664847S

(12) **United States Design Patent**
Arch et al.

(10) **Patent No.:** **US D664,847 S**

(45) **Date of Patent:** **** Aug. 7, 2012**

(54) **SELF-SEALING BAG IN BOX CAP ASSEMBLY**

(56) **References Cited**

(75) Inventors: **James J. Arch**, Berkley, IL (US);
Charles Thurman, Northlake, IL (US)

(73) Assignee: **Schoole Corporation**, Irvine, CA (US)

(**) Term: **14 Years**

(21) Appl. No.: **29/383,152**

(22) Filed: **Jan. 13, 2011**

Related U.S. Application Data

(63) Continuation-in-part of application No. 12/589,368,
filed on Oct. 22, 2009.

(51) **LOC (9) Cl.** **09-07**

(52) **U.S. Cl.** **D9/435; D9/449**

(58) **Field of Classification Search** D9/454,
D9/452, 449, 447, 440, 436, 435, 697, 422,
D9/433, 432, 430, 434, 420; D7/392.1; 222/566,
222/521, 494; 220/837, 835, 811, 810, 713,
220/375, 260, 254.7, 254.3, 254.1; 215/322,
215/321, 306, 305, 237, 235; 206/828, 734,
206/540, 539, 538, 219, 216; 229/906.1;
D23/213

See application file for complete search history.

U.S. PATENT DOCUMENTS

| | | | | |
|--------------|------|---------|-------------------|---------|
| 4,377,248 | A * | 3/1983 | Stull | 215/306 |
| D455,077 | S * | 4/2002 | Gaiser et al. | D9/449 |
| D508,853 | S * | 8/2005 | Ziegenhorn et al. | D9/449 |
| 2005/0279781 | A1 * | 12/2005 | Pugne | 222/556 |

* cited by examiner

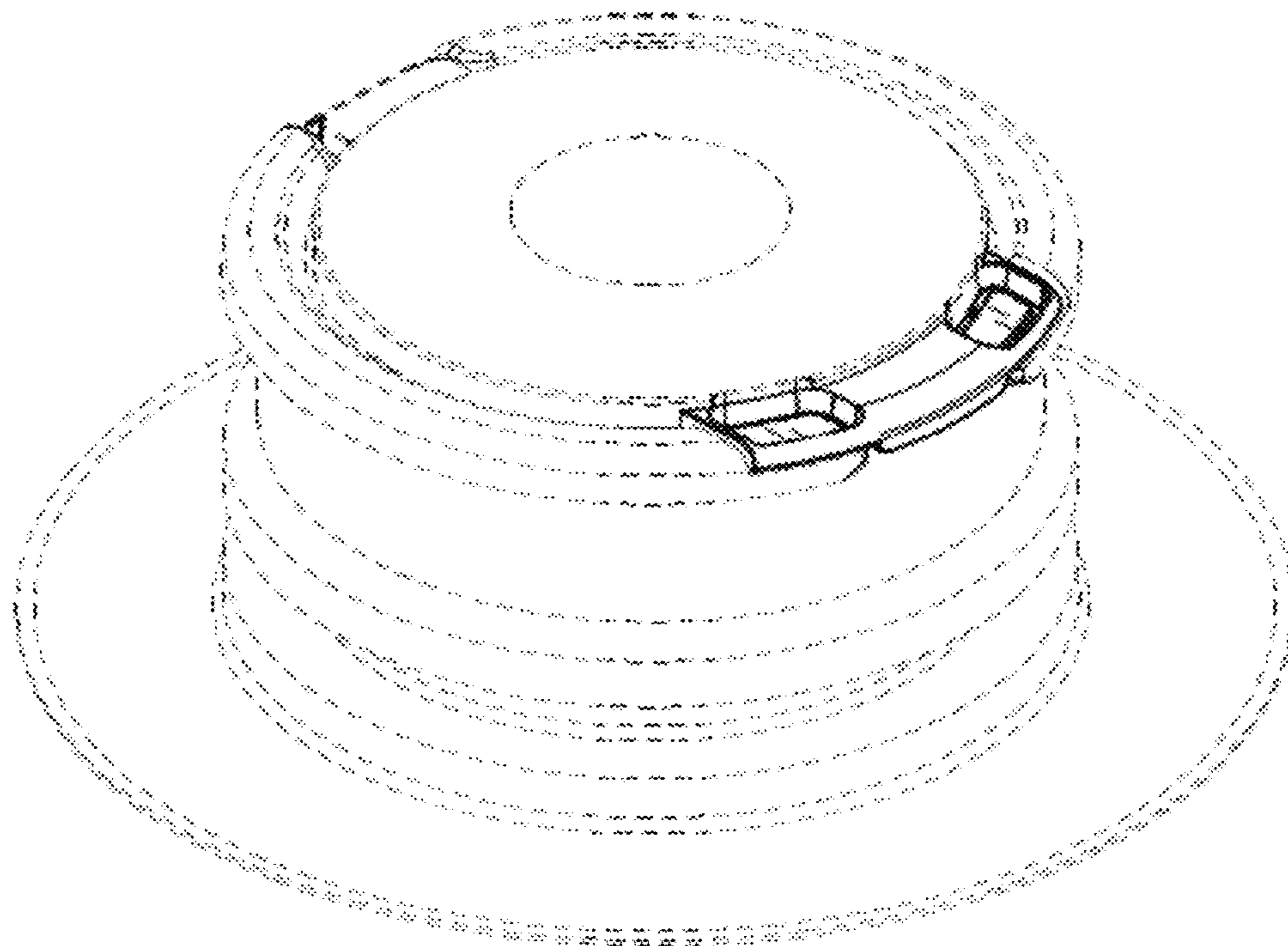
Primary Examiner — Susan Bennett Hattan
(74) *Attorney, Agent, or Firm* — The Watson IP Group, PLC;
Jovan N. Jovanovic; Vladan M. Vasiljevic

(57) **CLAIM**
The ornamental design for a self-sealing bag in box cap assembly, as shown and described.

DESCRIPTION

FIG. 1 of the drawings is a top perspective view of a third embodiment of the self-sealing bag in box cap assembly, showing, in particular the ornamental design thereof in a closed configuration;
FIG. 2 of the drawings is bottom perspective view of thereof;
FIG. 3 of the drawings is a top plan view thereof;
FIG. 4 of the drawings is a bottom plan view thereof.
FIG. 5 of the drawings is a first side elevational view thereof;
FIG. 6 of the drawings is a second side elevational view thereof;
FIG. 7 of the drawings is a front elevational view thereof; and,
FIG. 8 of the drawings is a back elevational view thereof.
The dashed lines show the dental instrument in its environment and form no part of the claimed design.

1 Claim, 6 Drawing Sheets



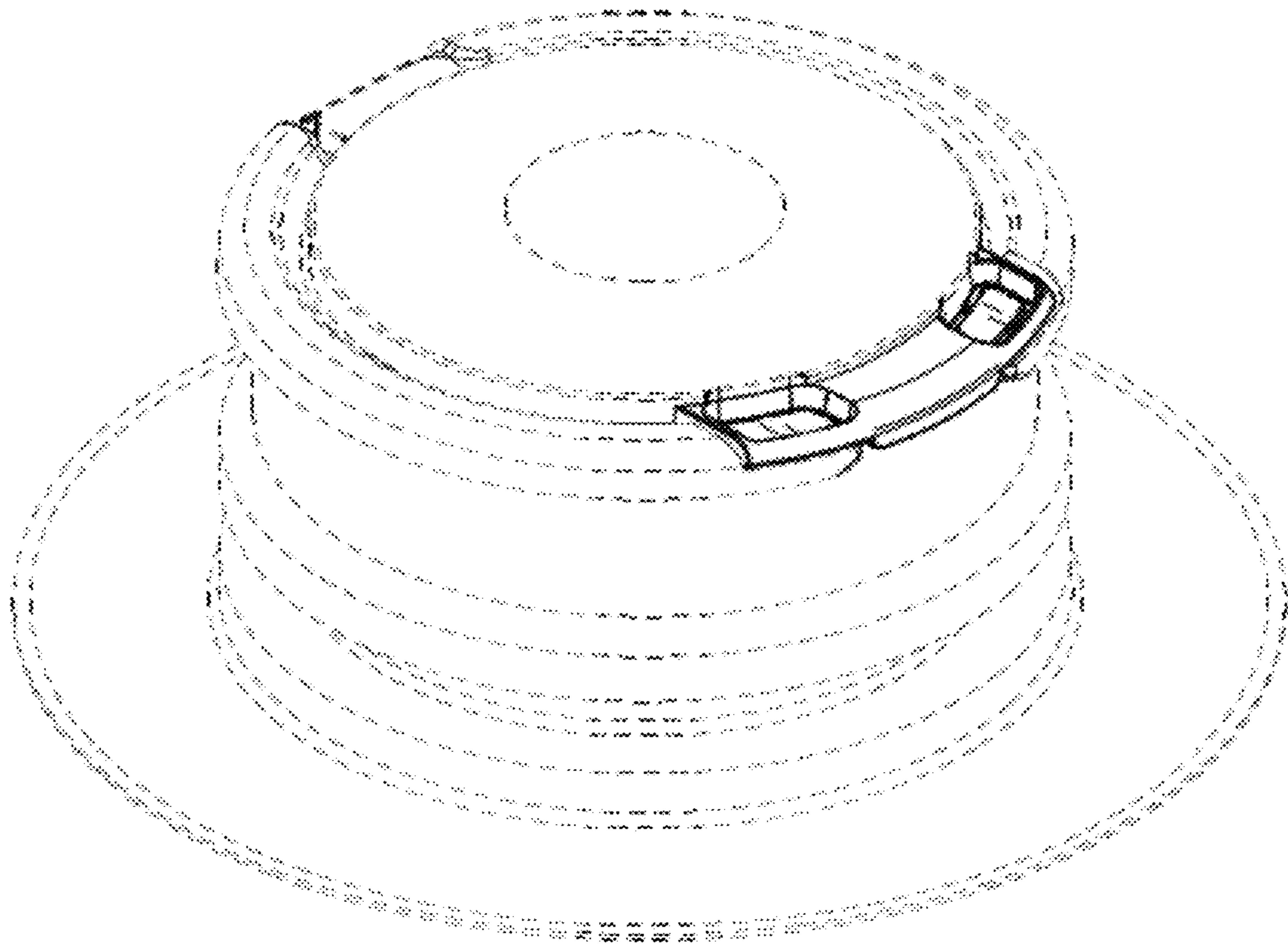


FIG. 1

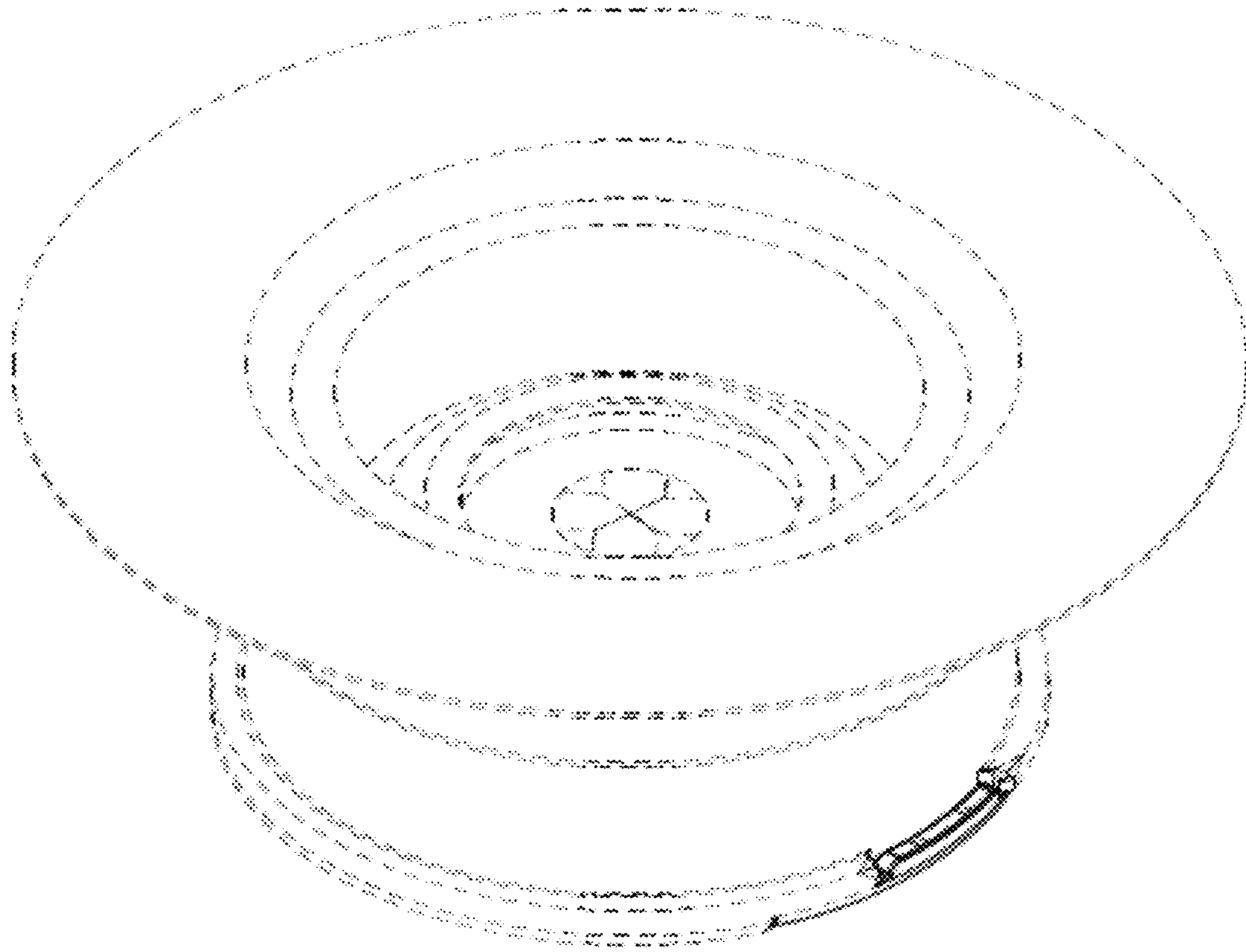


FIG. 2

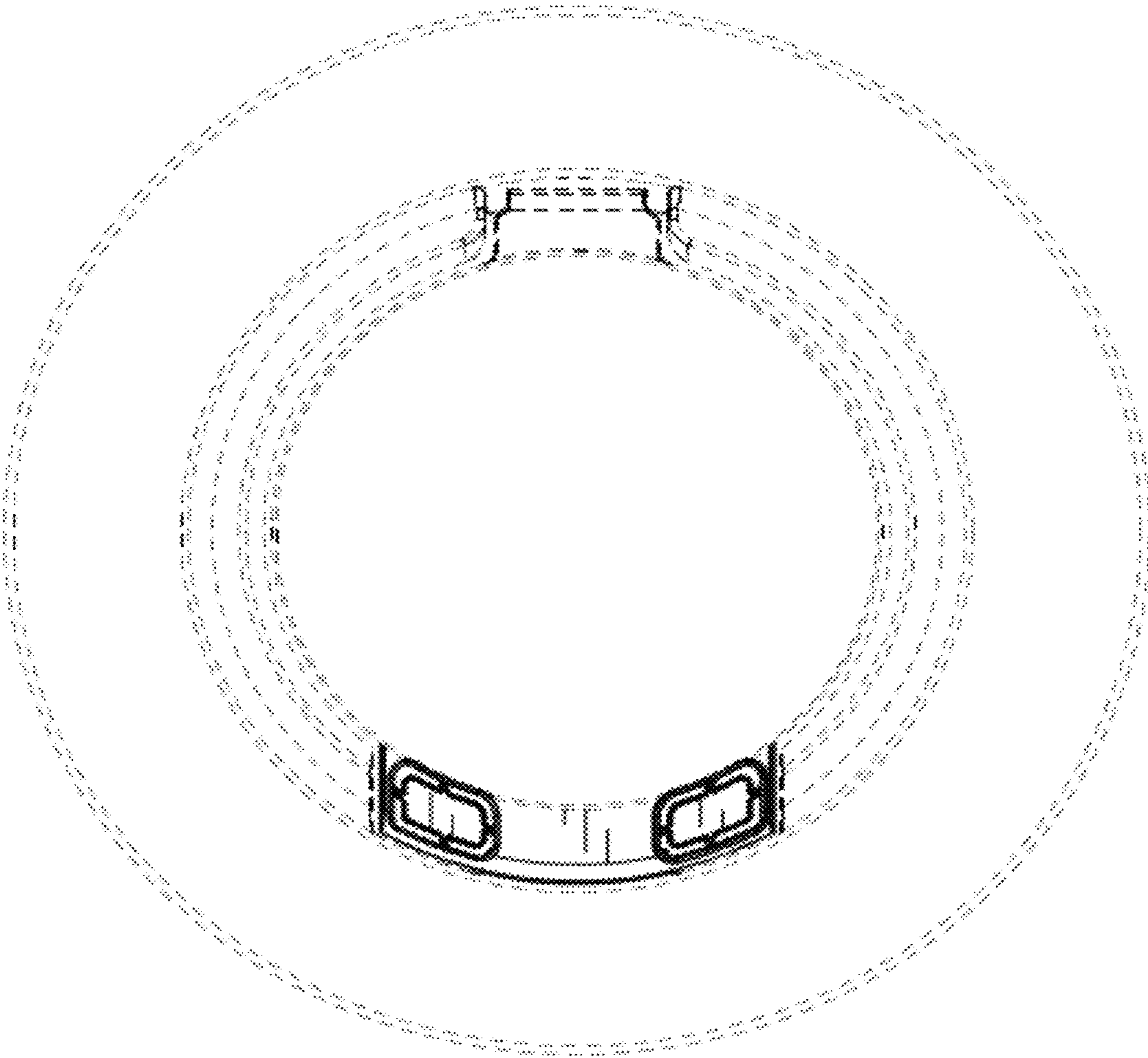


FIG. 3

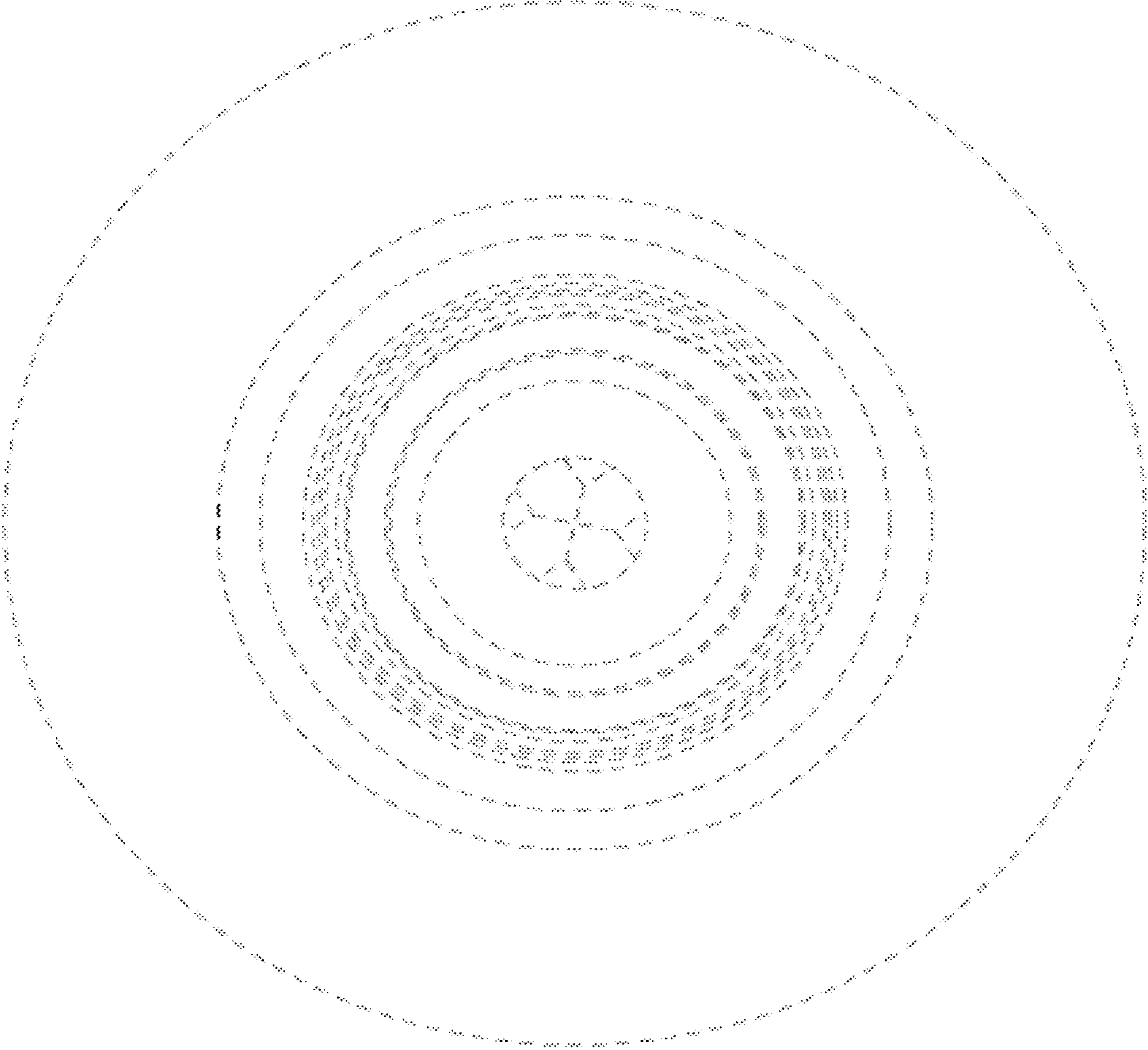


FIG. 4



FIG. 5

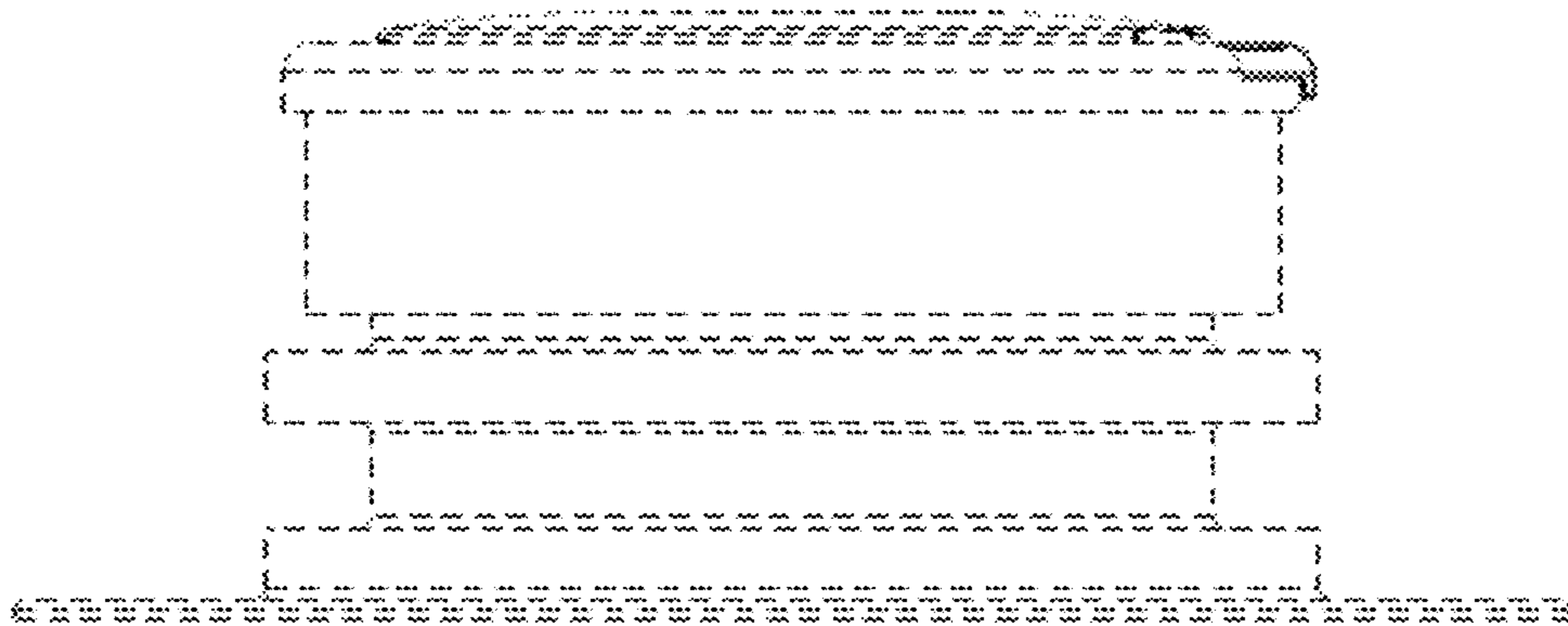


FIG. 6

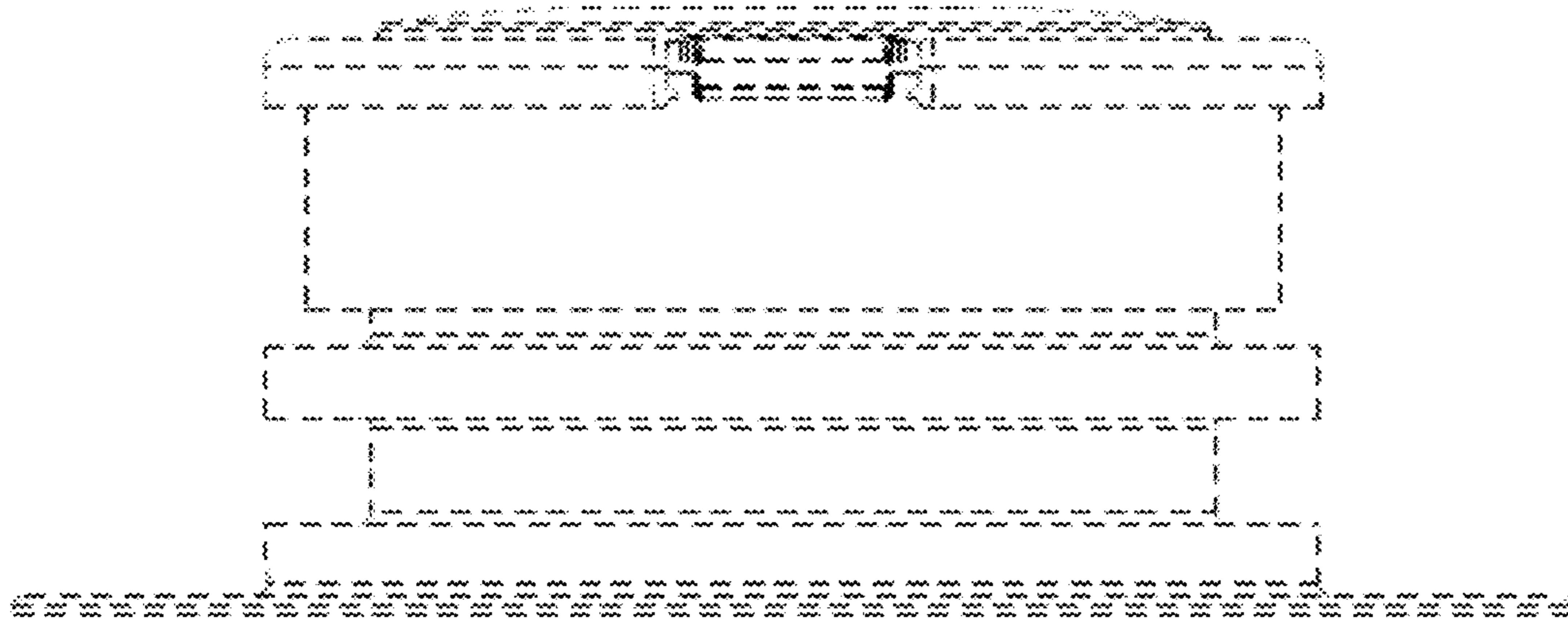


FIG. 7

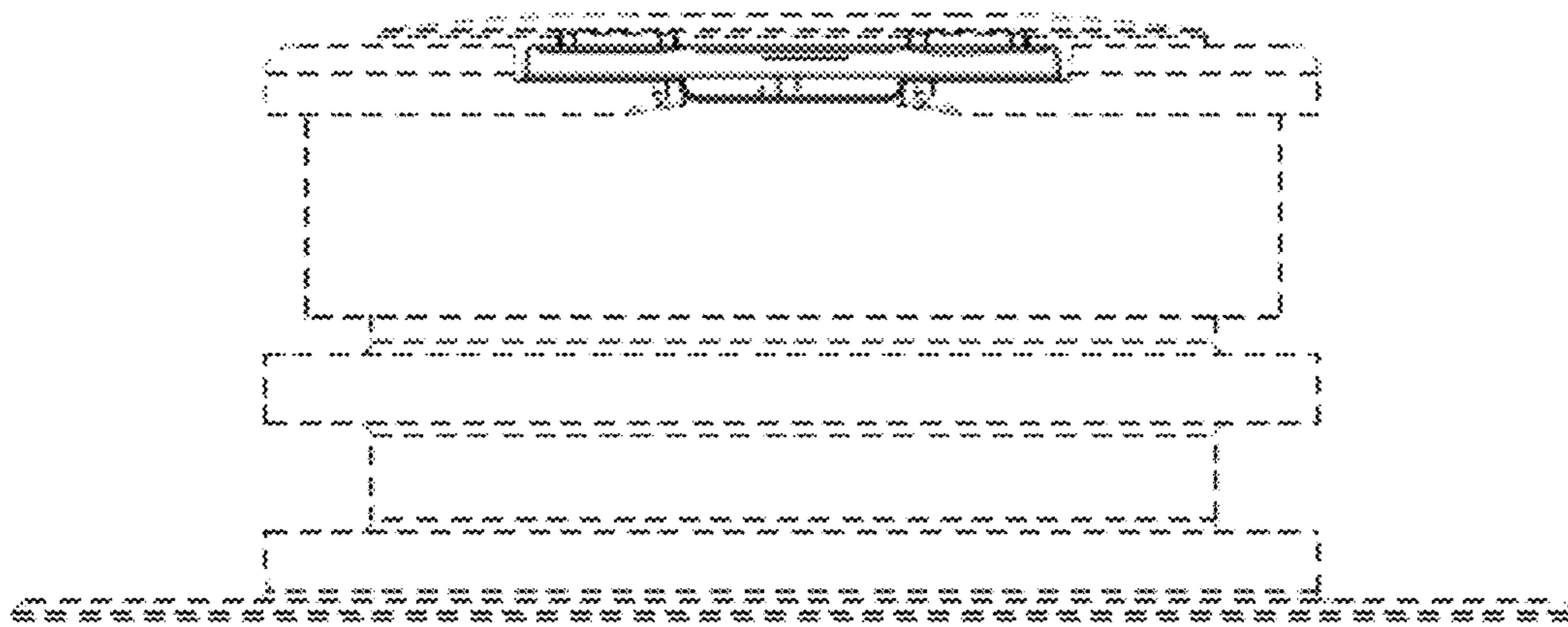


FIG. 8