

US00D664845S

(12) **United States Design Patent**  
**Everson**

(10) **Patent No.:** **US D664,845 S**  
(45) **Date of Patent:** **\*\* Aug. 7, 2012**

(54) **CONTAINER HAVING UNDULATING BOTTOM**

(75) Inventor: **Keith S. Everson**, Hartford, WI (US)

(73) Assignee: **Sussex IM, Inc.**, Sussex, WI (US)

(\*\*) Term: **14 Years**

(21) Appl. No.: **29/406,121**

(22) Filed: **Nov. 10, 2011**

**Related U.S. Application Data**

(63) Continuation of application No. 13/239,049, filed on Sep. 21, 2011, which is a continuation-in-part of application No. 12/963,469, filed on Dec. 8, 2010, which is a continuation-in-part of application No. 12/822,688, filed on Jun. 24, 2010.

(51) **LOC (9) Cl.** ..... **09-03**

(52) **U.S. Cl.** ..... **D9/432; D7/629**

(58) **Field of Classification Search** ..... D7/538-542, D7/602, 629, 630; D9/414-418, 424-432, D9/761, 737; 220/780-806, 4.26, 4.27, 23.6, 220/23.83, 23.86, 832, 835, 839; 229/125, 229/125.08, 406, 407, 123.1, 123.2, 125.11, 229/125.35

See application file for complete search history.

(56) **References Cited**

**U.S. PATENT DOCUMENTS**

3,900,106 A	8/1975	Cantales	
D241,820 S	10/1976	Jewell	
4,303,176 A *	12/1981	Swartzbaugh	220/835
4,401,229 A *	8/1983	Bell et al.	229/123.1
D278,412 S	4/1985	Yeung	
4,951,866 A	8/1990	Rusnak	
4,971,220 A *	11/1990	Kaufman et al.	220/832
5,012,928 A	5/1991	Proffitt et al.	
D327,220 S *	6/1992	Proffitt et al.	D9/423
5,204,130 A	4/1993	McDevitt et al.	
5,300,748 A	4/1994	Colombo	
D354,435 S *	1/1995	Krupa	D9/423
5,474,199 A	12/1995	Julius et al.	

5,906,292 A	5/1999	Rider, Jr.
5,920,916 A	7/1999	Norton
5,938,068 A	8/1999	Atkins et al.
5,960,987 A	10/1999	Solland et al.
6,042,000 A	3/2000	Kawamoto
6,102,231 A	8/2000	Rider, Jr. et al.
6,164,488 A	12/2000	Solland et al.
6,176,420 B1	1/2001	Sarson et al.
D457,428 S	5/2002	Fowler et al.

(Continued)

**FOREIGN PATENT DOCUMENTS**

WO WO 89/03351 4/1989

(Continued)

**OTHER PUBLICATIONS**

U.S. Appl. No. 29/406,115, filed Nov. 10, 2011, Everson.

(Continued)

*Primary Examiner* — Terry Wallace

(74) *Attorney, Agent, or Firm* — Reinhart Boerner Van Deuren P.C.

(57) **CLAIM**

I claim the ornamental design for the container having undulating bottom, as shown and described.

**DESCRIPTION**

FIG. 1 is a top perspective view of the container having undulating bottom;

FIG. 2 is a top perspective view thereof in an open configuration;

FIG. 3 is a bottom perspective view thereof;

FIG. 4 is a side view thereof;

FIG. 5 is a front view thereof;

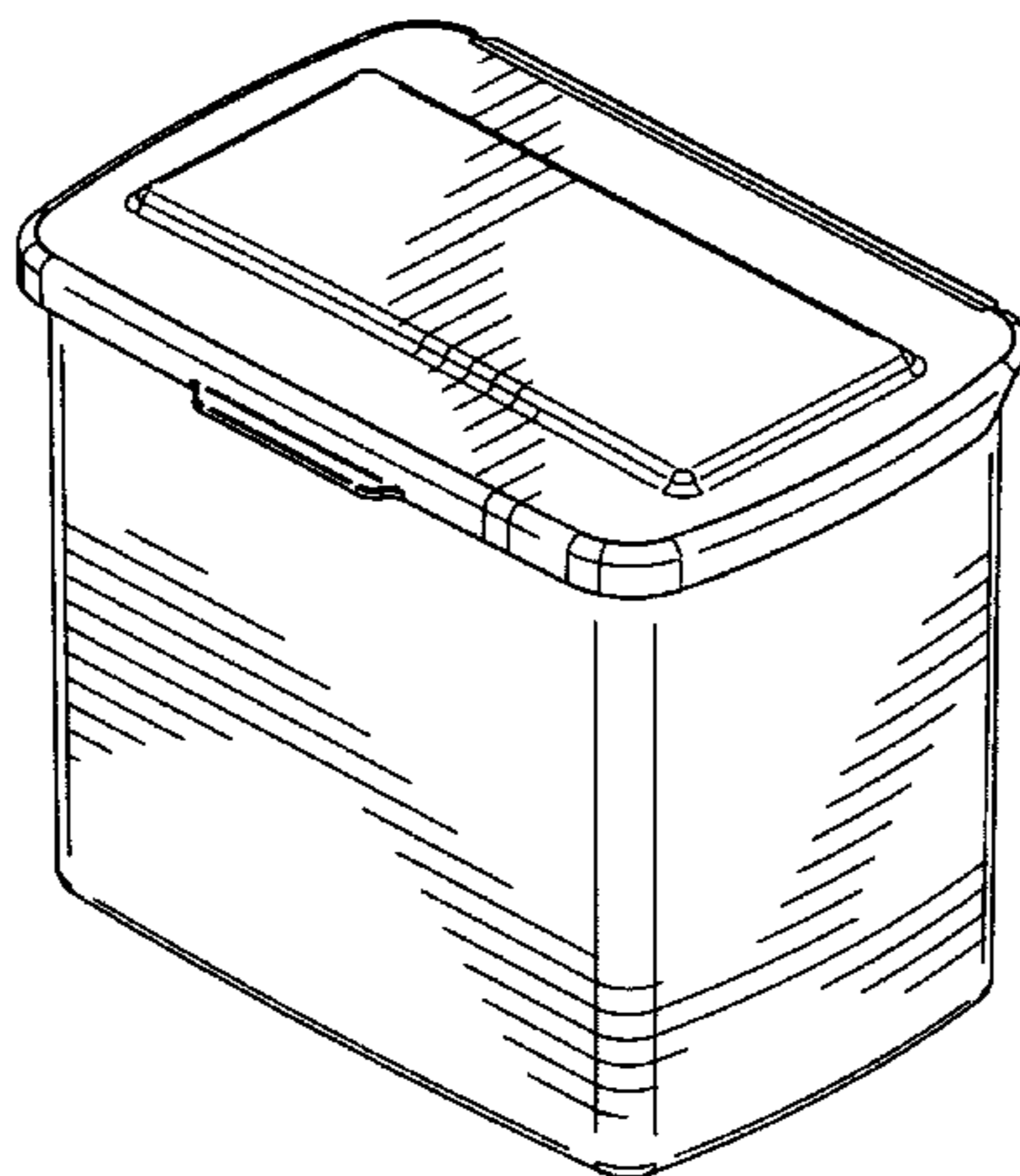
FIG. 6 is a side view thereof showing the side opposite that shown in FIG. 4

FIG. 7 is a top view thereof;

FIG. 8 is a back view thereof; and,

FIG. 9 is a bottom view thereof.

**1 Claim, 5 Drawing Sheets**



# US D664,845 S

Page 2

## U.S. PATENT DOCUMENTS

6,409,034 B2 6/2002 Schorner  
6,554,147 B1 4/2003 Maida, Jr. et al.  
6,592,504 B2 7/2003 Sarson et al.  
6,609,623 B2 8/2003 Chou  
D484,797 S \* 1/2004 Kipperman et al. .... D9/424  
D489,254 S 5/2004 Kocis et al.  
6,758,390 B2 7/2004 Sarson et al.  
D495,209 S 8/2004 Tranfaglia et al.  
6,955,289 B2 10/2005 Green  
6,962,263 B2 11/2005 Cadiente et al.  
6,981,607 B2 1/2006 Lown et al.  
7,104,416 B2 9/2006 Gasco et al.  
7,246,714 B2 7/2007 Garg et al.  
D551,515 S 9/2007 Ablo et al.  
7,284,673 B2 10/2007 Habeger et al.  
D562,128 S 2/2008 van de Velde  
7,398,892 B2 7/2008 Bouie  
7,398,893 B2 7/2008 Bouie  
D577,579 S 9/2008 Lymn et al.  
7,419,067 B2 9/2008 Bouie et al.  
D585,735 S 2/2009 Vovan et al.

D587,993 S 3/2009 Vovan  
D591,148 S 4/2009 Parikh et al.  
7,597,206 B2 10/2009 Atkins et al.  
D618,516 S \* 6/2010 DiPietro et al. .... D7/629  
2004/0134910 A1 7/2004 Colombo  
2004/0211823 A1 10/2004 Sarson et al.  
2007/0012710 A1 1/2007 Vovan  
2007/0045317 A1 3/2007 Rosender et al.  
2009/0134180 A1 5/2009 Kidd et al.  
2009/0223969 A1 9/2009 Bouie  
2011/0315701 A1 12/2011 Everson  
2011/0315704 A1 12/2011 Everson  
2012/0012602 A1 1/2012 Everson

## FOREIGN PATENT DOCUMENTS

WO WO 91/07329 5/1991

## OTHER PUBLICATIONS

U.S. Appl. No. 29/406,126, filed Nov. 10, 2011, Everson.  
U.S. Appl. No. 29/406,129, filed Nov. 10, 2011, Everson.

\* cited by examiner

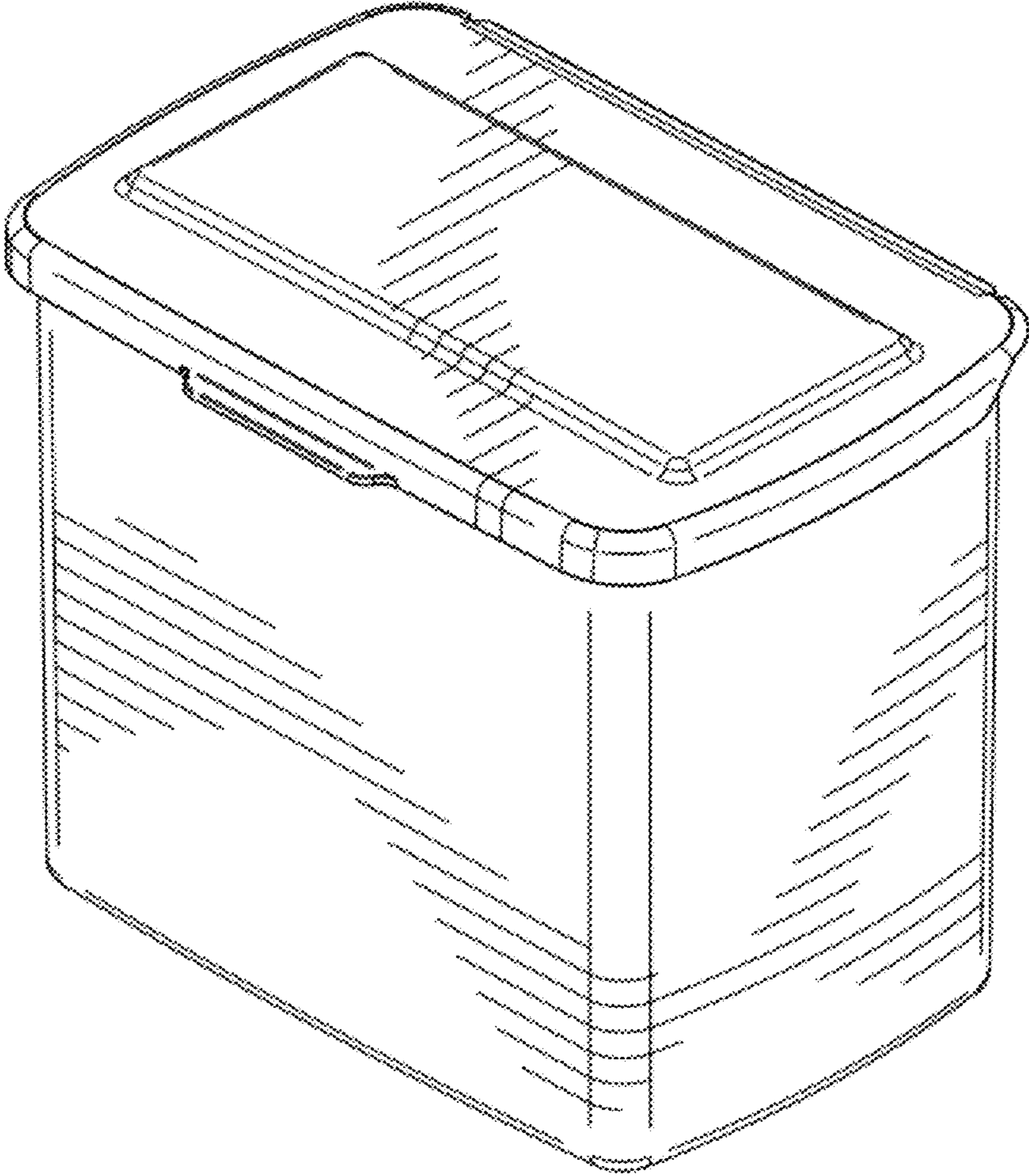


FIG. 1



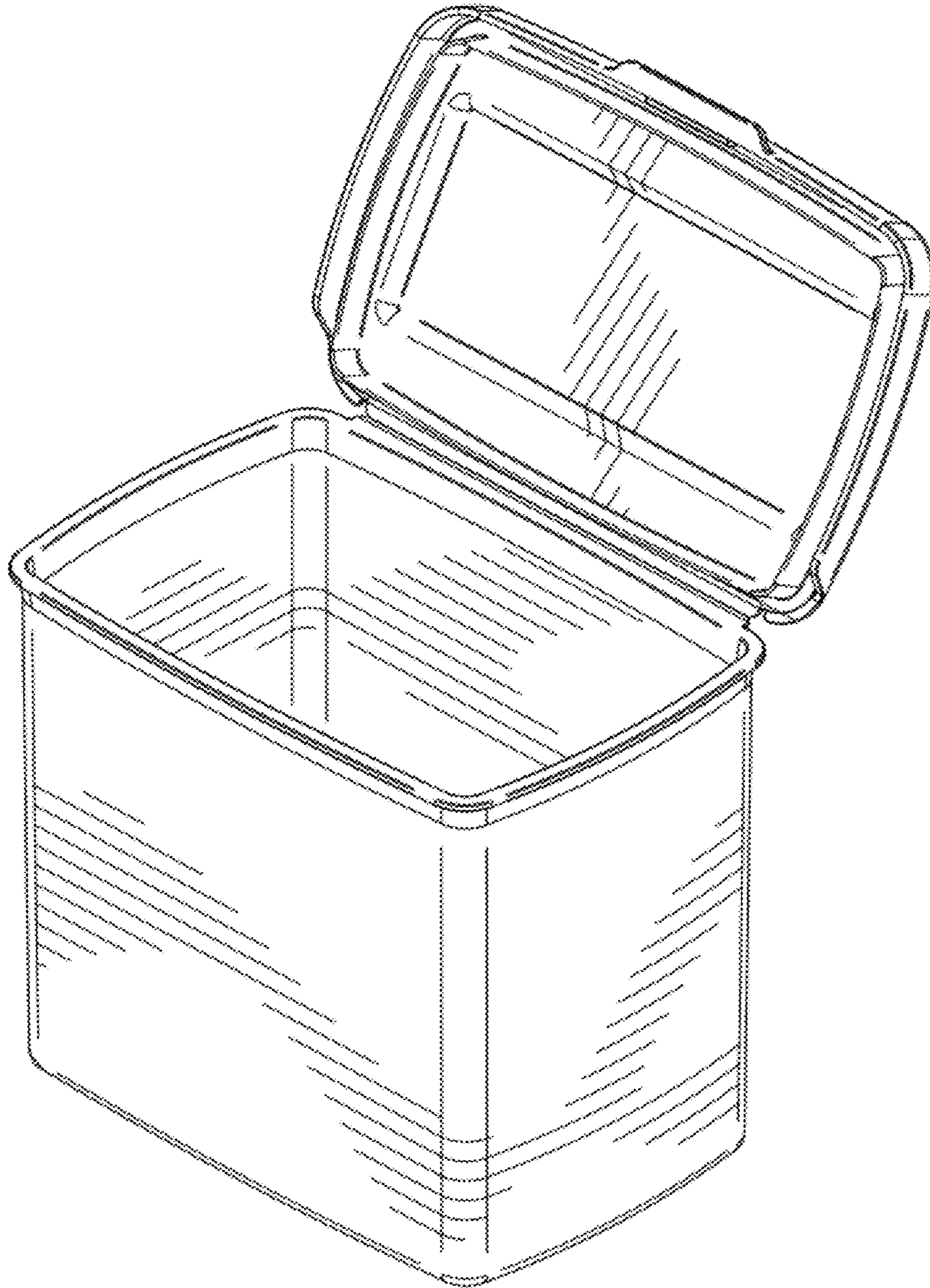


FIG. 2

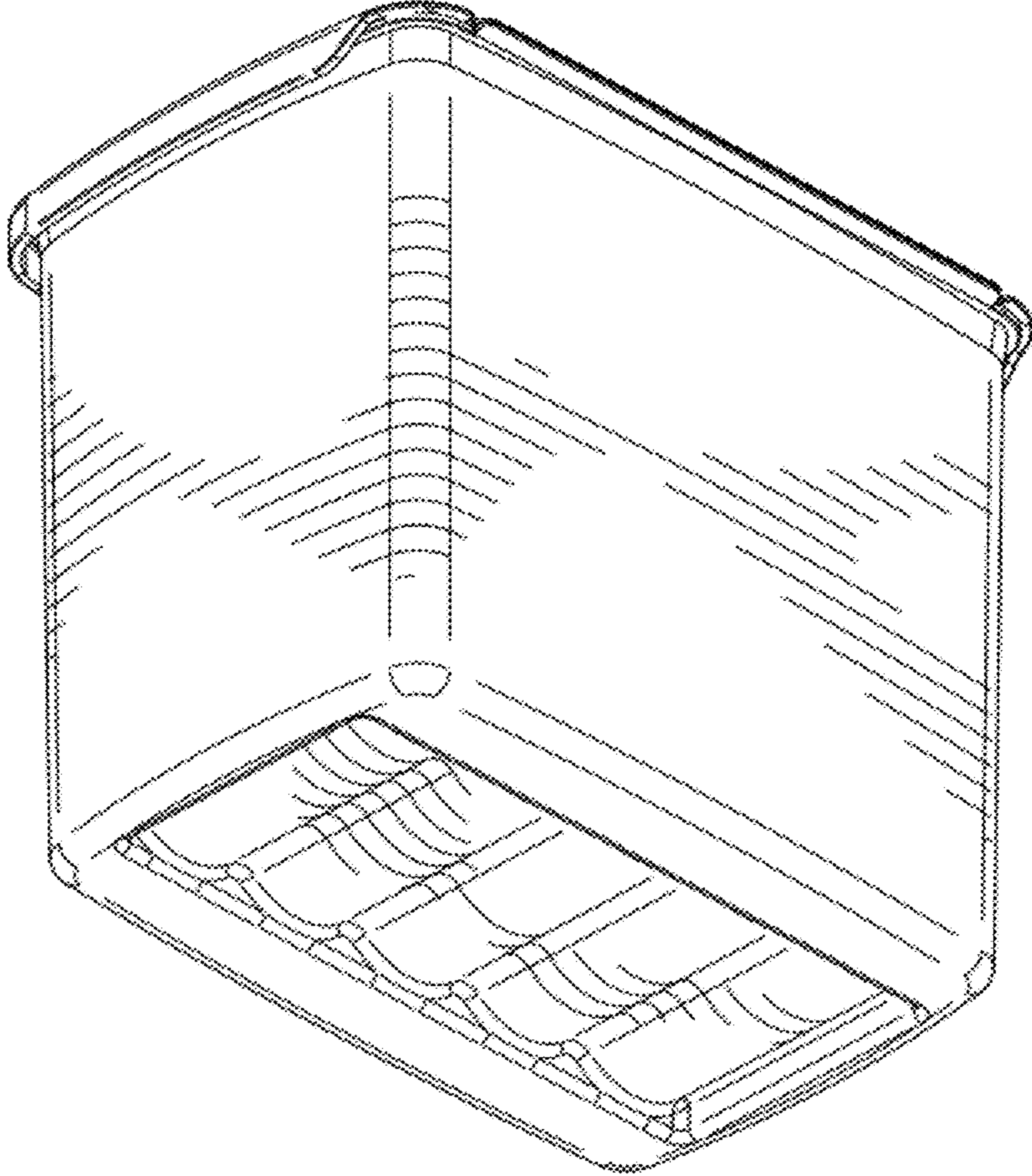


FIG. 3

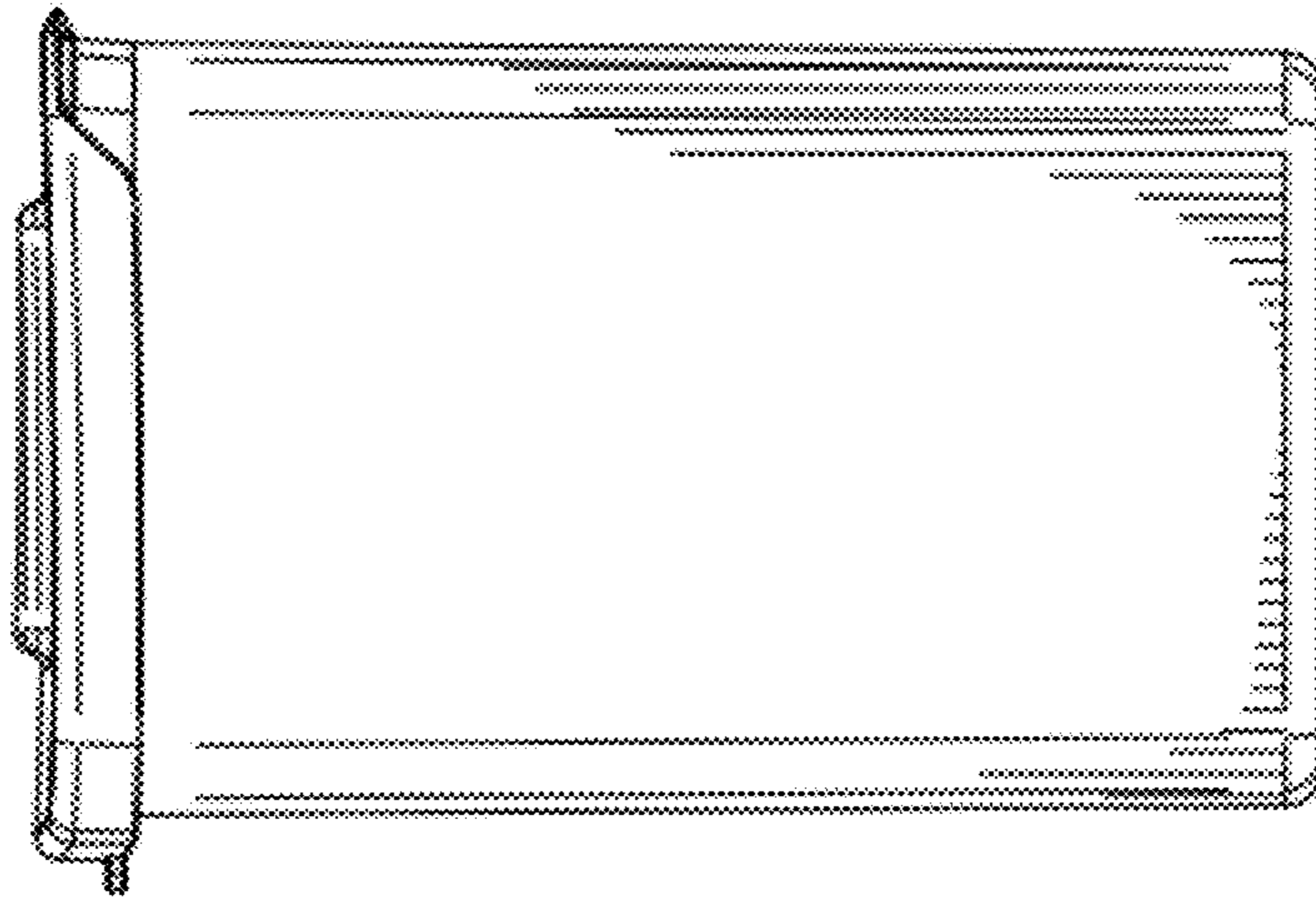


FIG. 4

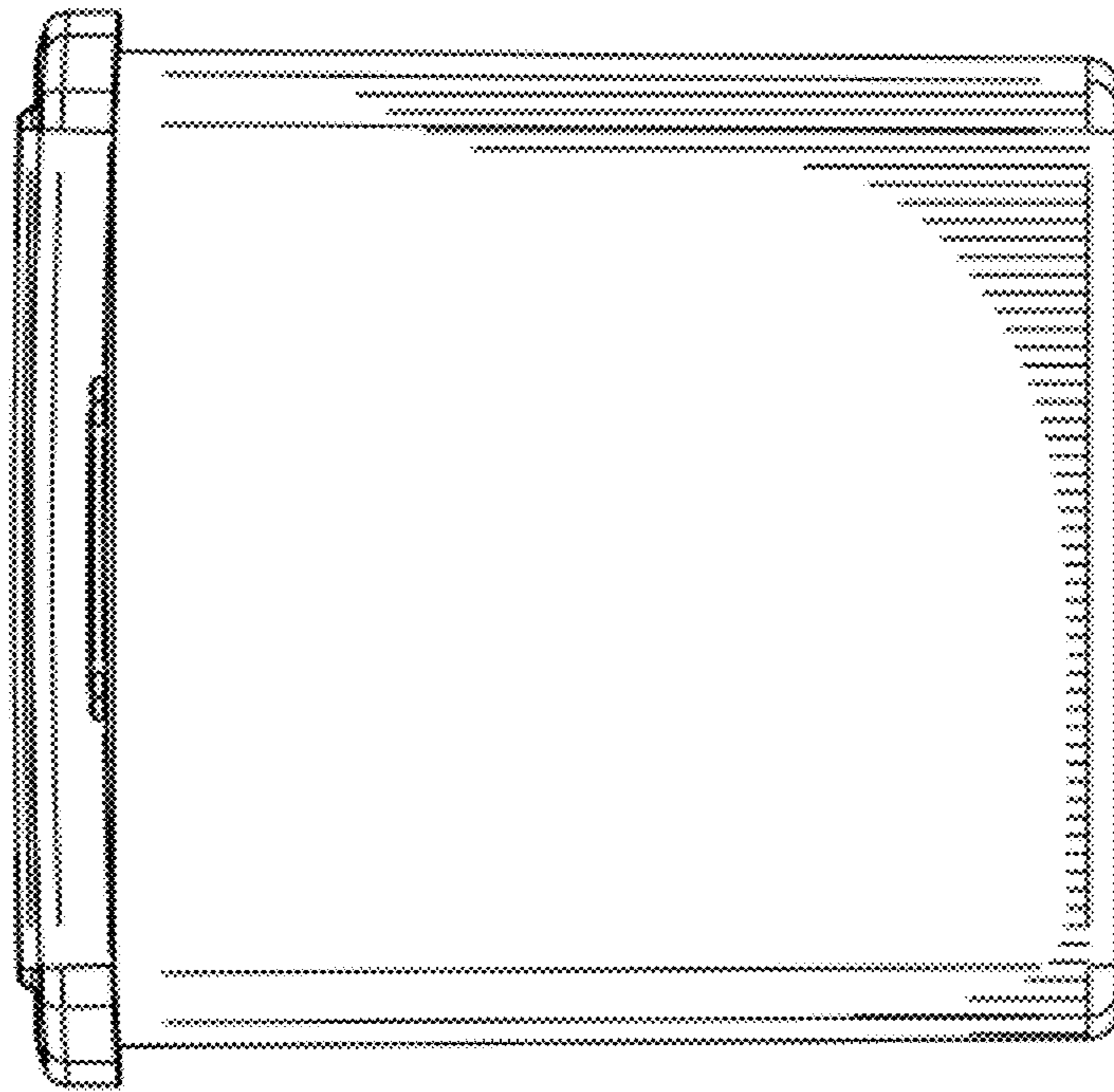


FIG. 5

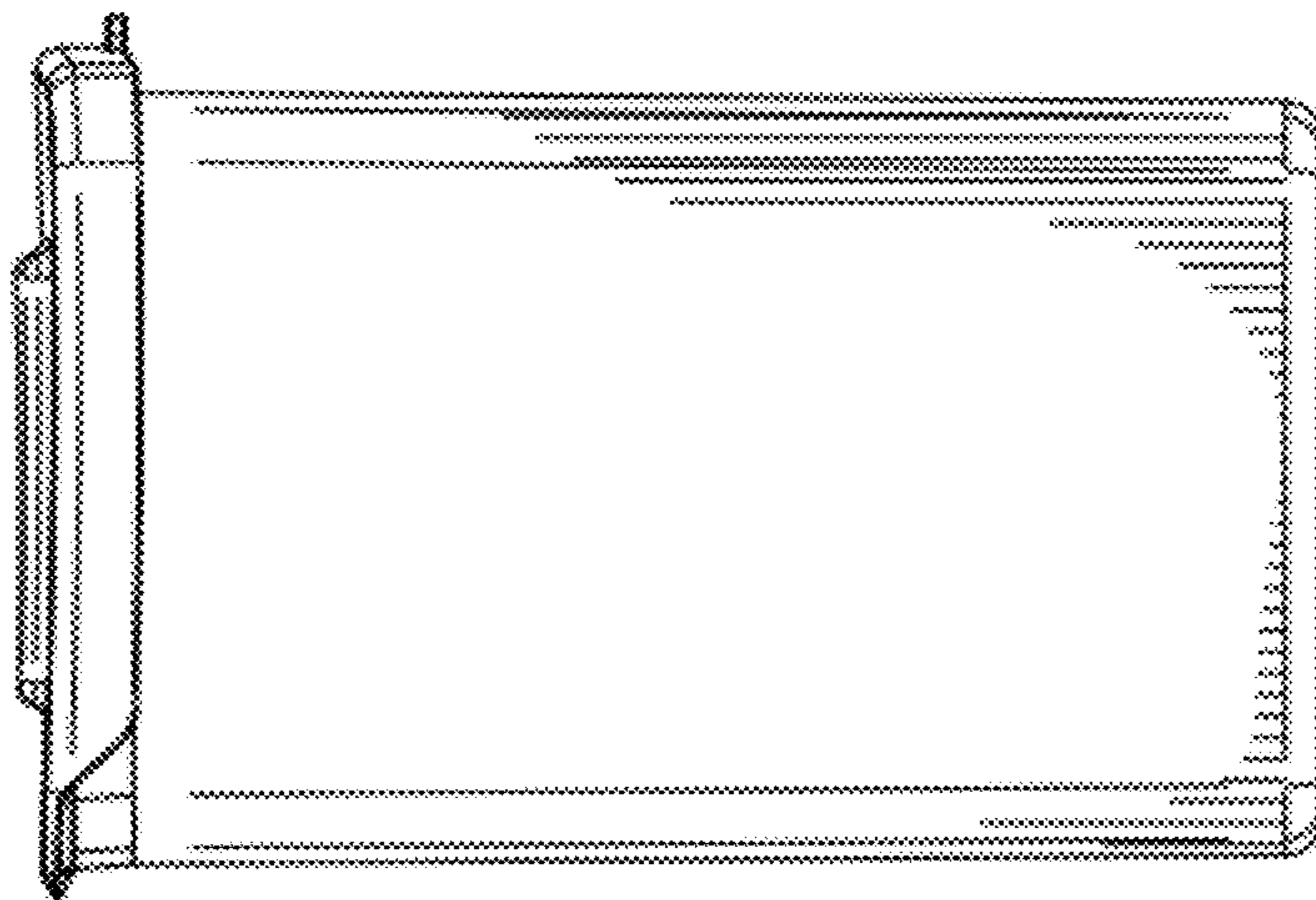
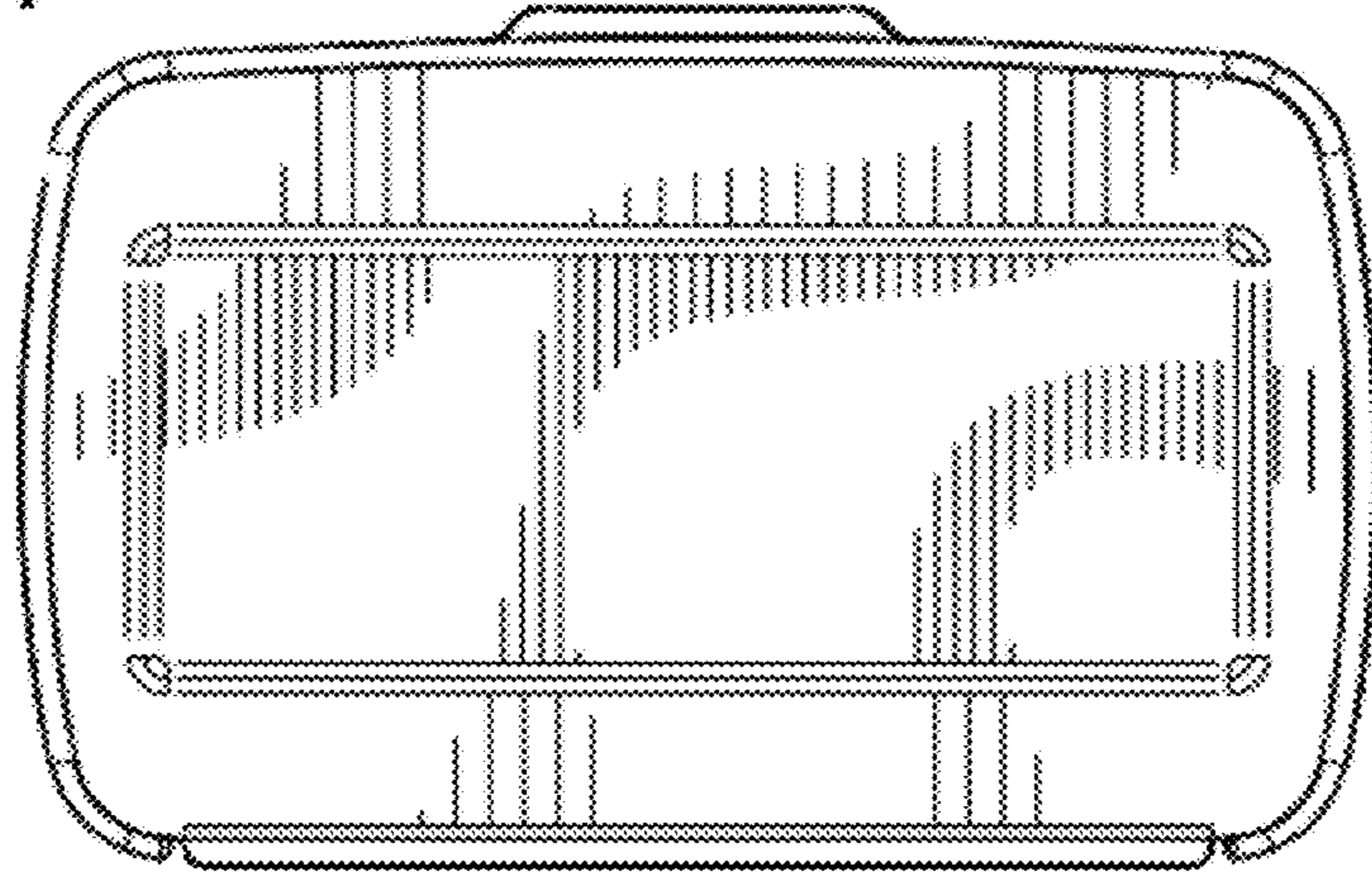


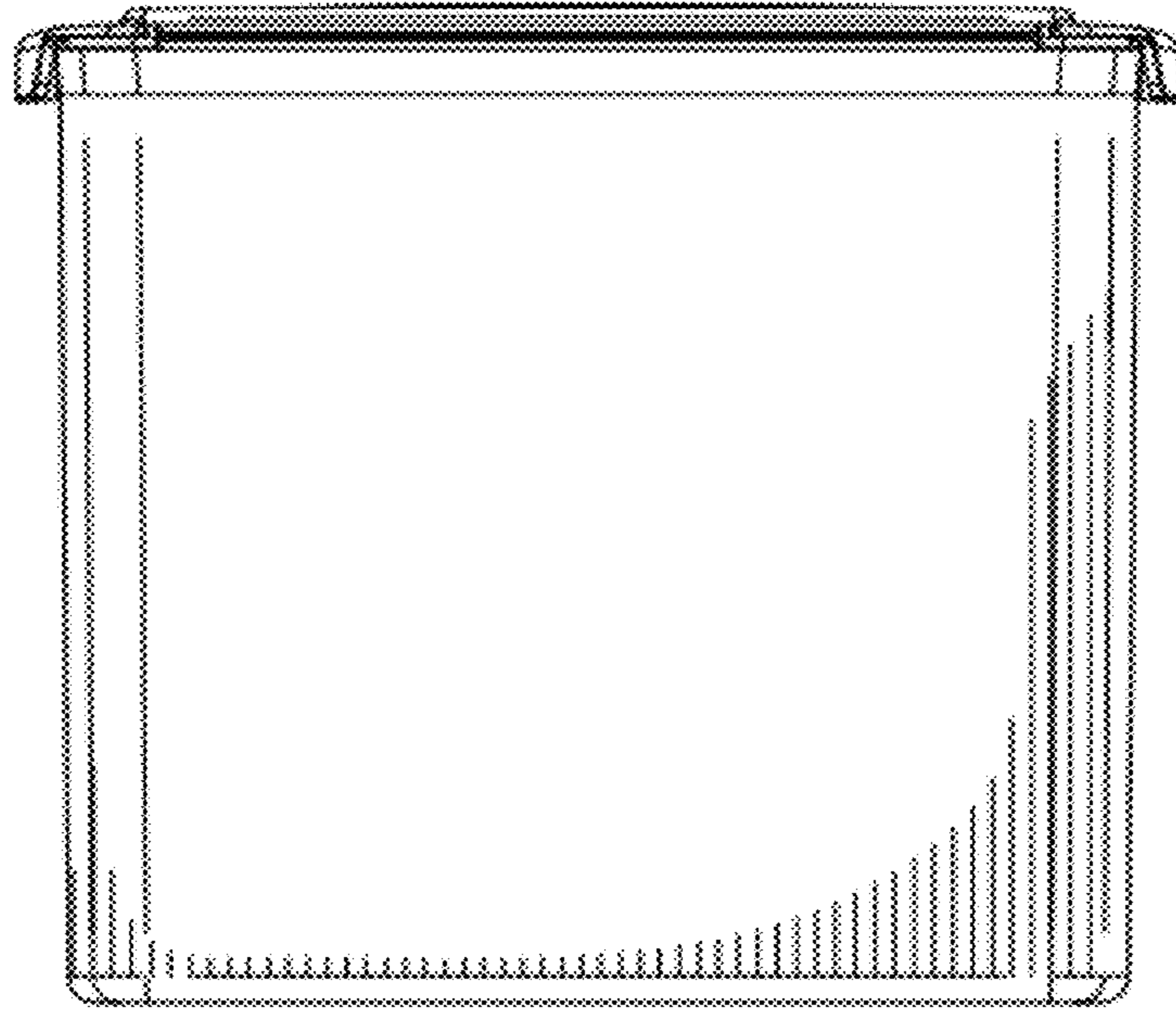
FIG. 6



**FIG. 7**



**FIG. 8**



**FIG. 9**

