



US00D664843S

(12) **United States Design Patent**
Golota et al.

(10) **Patent No.:** **US D664,843 S**

(45) **Date of Patent:** **** Aug. 7, 2012**

(54) **PACKAGE**

(75) Inventors: **George A. Golota**, Glenview, IL (US);
Andrei Voityna, Chicago, IL (US)

(73) Assignee: **D&W Fine Pack**, Fountain Inn, SC (US)

(**) Term: **14 Years**

(21) Appl. No.: **29/402,555**

(22) Filed: **Sep. 23, 2011**

(51) **LOC (9) Cl.** **09-03**

(52) **U.S. Cl.** **D9/425**

(58) **Field of Classification Search** D9/414,
D9/419, 424, 425, 430, 431, 432, 761; D7/538,
D7/549, 550.1, 601-603, 605, 629; 229/105,
229/117.09, 117.26, 189, 406, 407, 902,
229/905, 915.1; 220/23.4, 23.6, 266, 281,
220/315, 318, 500, 659, 669, 674, 675, 696,
220/752, 760, 790, 793, DIG. 12, FOR. 117;
206/499, 508, 557; D3/276

See application file for complete search history.

(56) **References Cited**

U.S. PATENT DOCUMENTS

3,447,714 A * 6/1969 Elliot 206/1.5
3,448,888 A * 6/1969 Collie et al. 220/781
D215,413 S * 9/1969 Donovan D9/425
4,787,527 A * 11/1988 Monetti 220/557

D428,310 S * 7/2000 Zettle et al. D7/629
D505,840 S * 6/2005 Schultz et al. D7/629
D588,451 S * 3/2009 Snedden et al. D9/425
D627,219 S * 11/2010 Golota et al. D9/424
D628,473 S * 12/2010 Golota et al. D9/425
D632,170 S * 2/2011 Lawrence et al. D9/425
D635,848 S * 4/2011 Lawrence et al. D9/425
D649,409 S * 11/2011 Segal D7/629

* cited by examiner

Primary Examiner — Thomas Johannes

(74) *Attorney, Agent, or Firm* — Cardinal Law Group

(57) **CLAIM**

The ornamental design for a package, as shown and described.

DESCRIPTION

FIG. 1 is a bottom perspective view of a package, showing our new design;

FIG. 2 is a top perspective view thereof;

FIG. 3 is a top view thereof;

FIG. 4 is a bottom view thereof;

FIG. 5 is a front side view thereof;

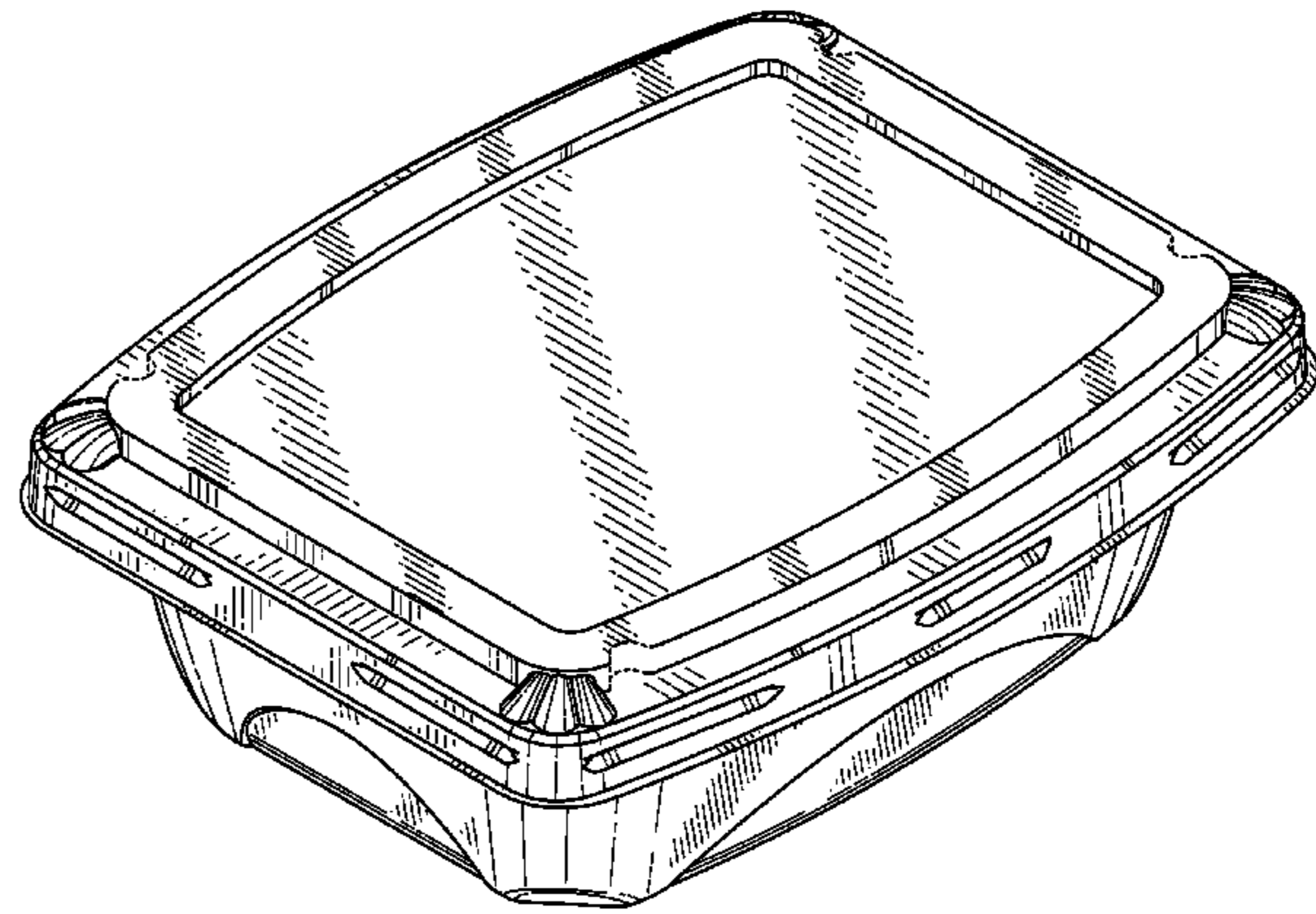
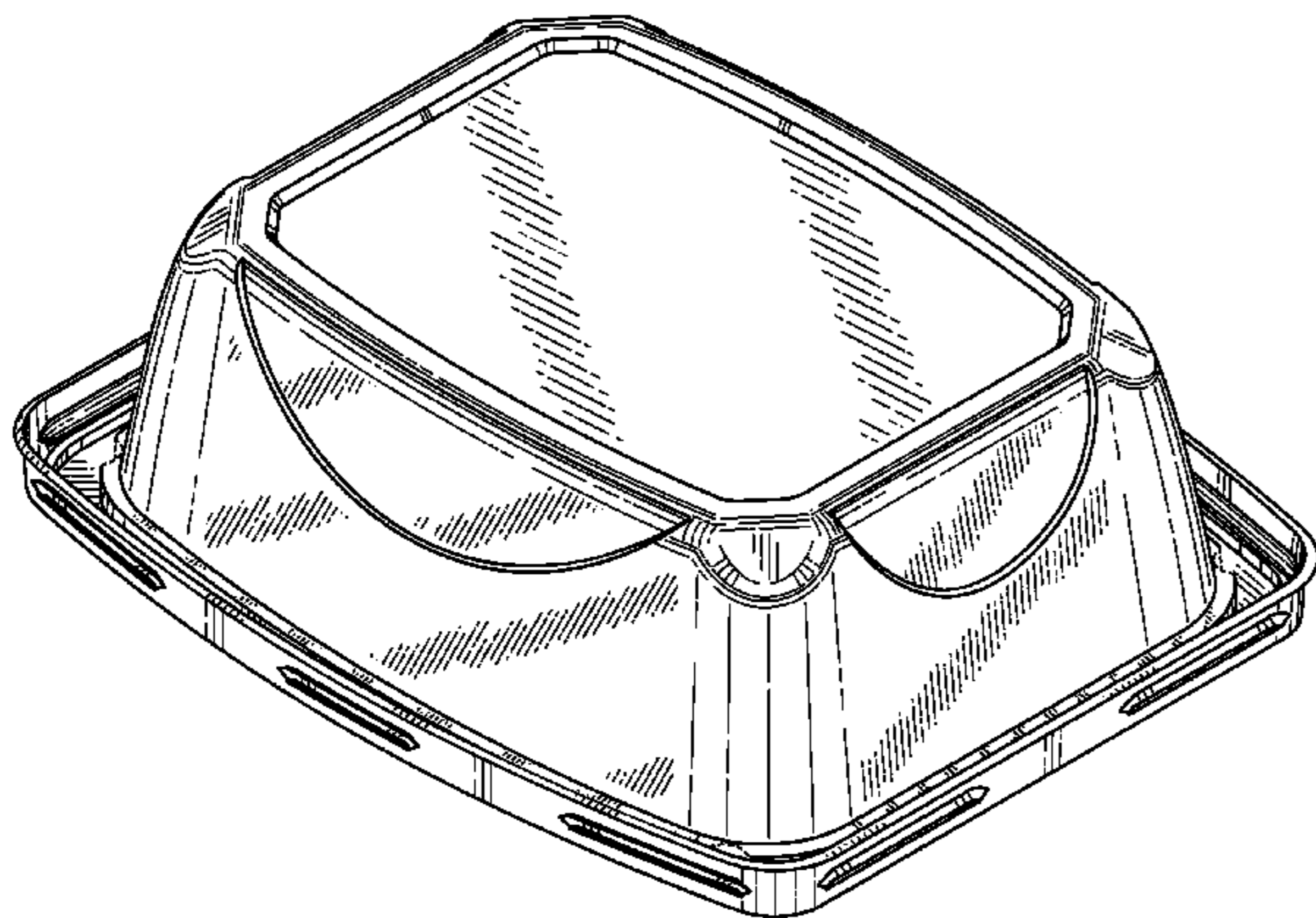
FIG. 6 is a back side view thereof;

FIG. 7 is a left side view thereof; and,

FIG. 8 is a right side view thereof.

The broken line portion of the figure drawings is included to show unclaimed subject matter only and forms no part of the claimed design.

1 Claim, 6 Drawing Sheets



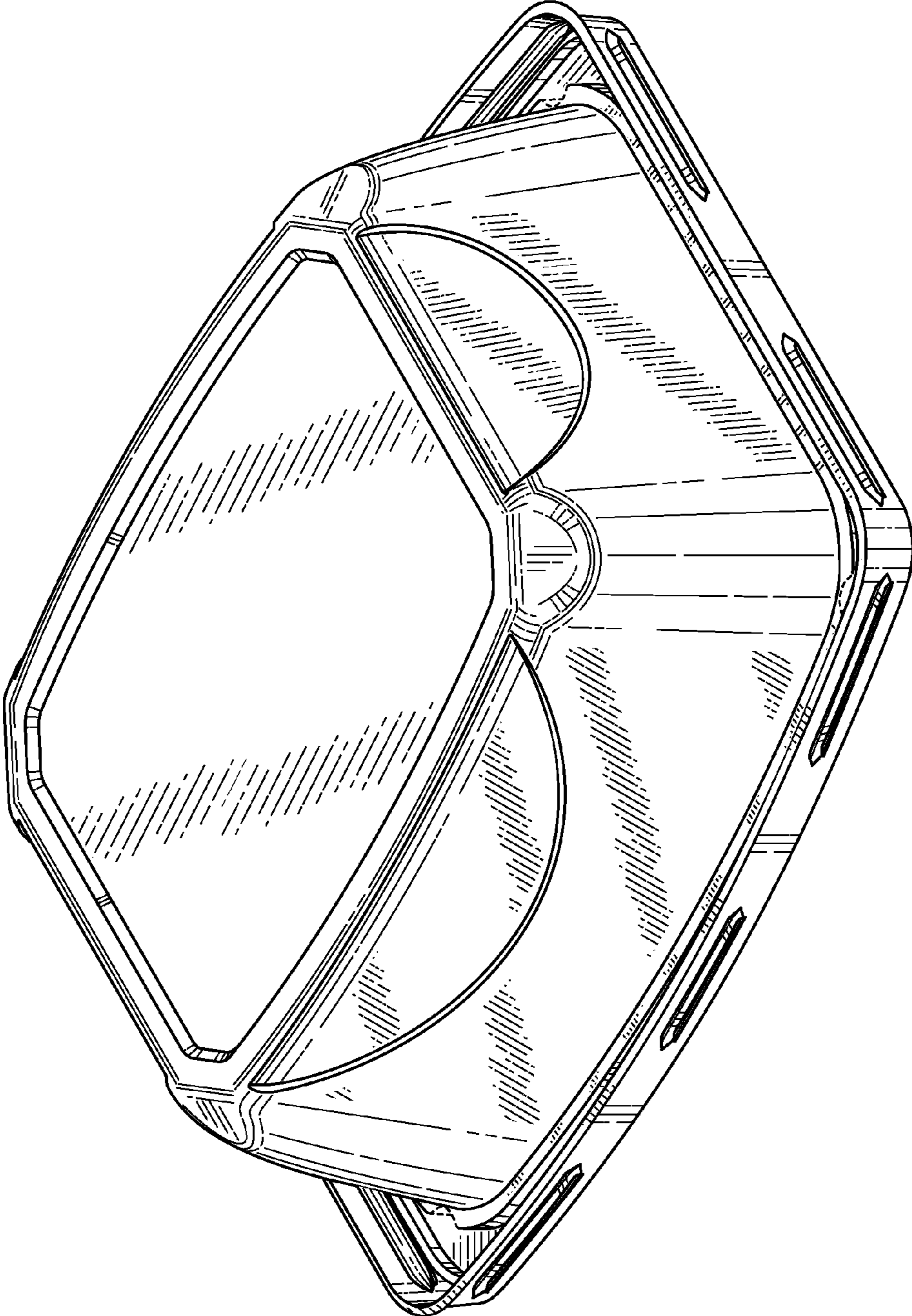


FIG. 1

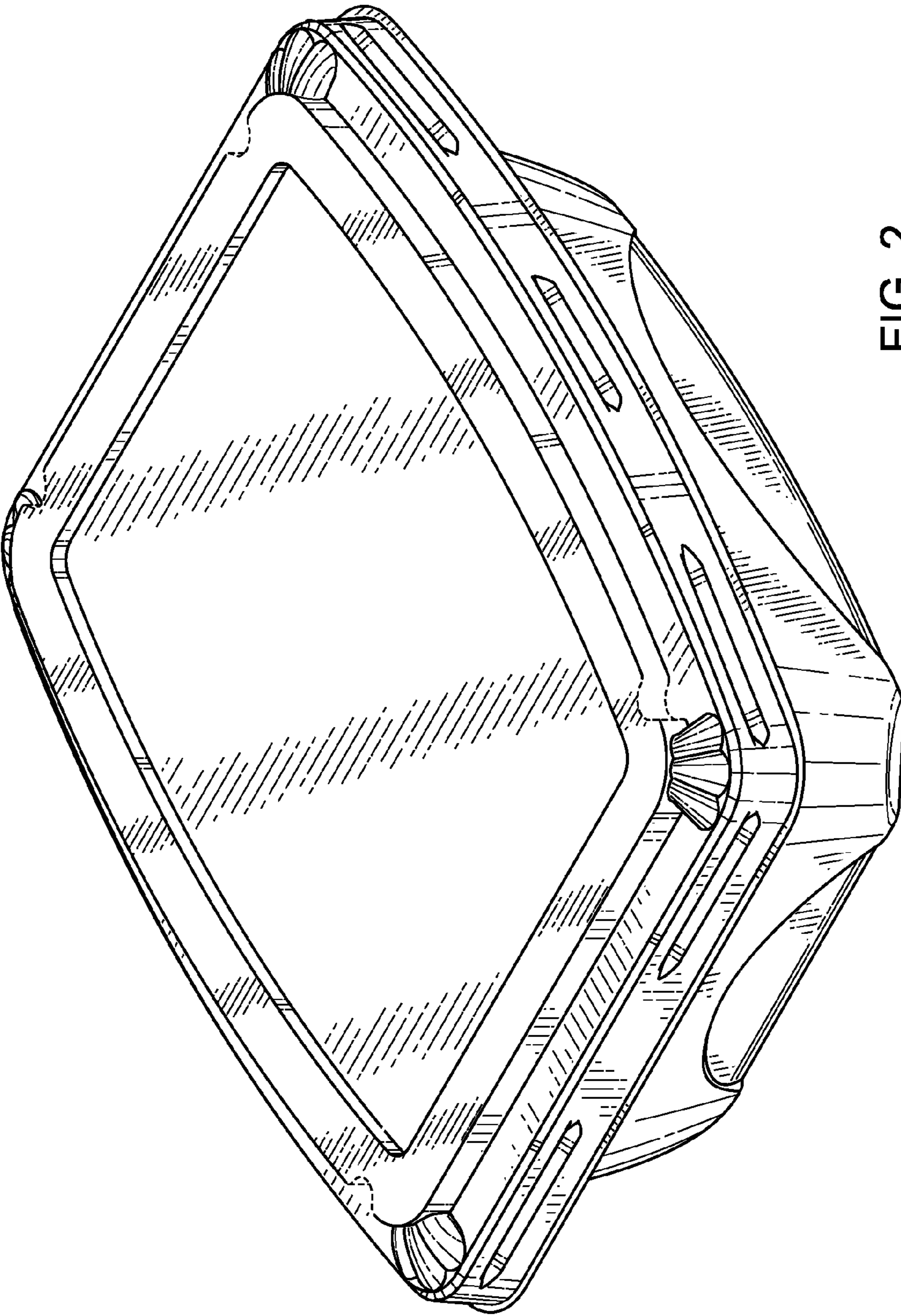


FIG. 2

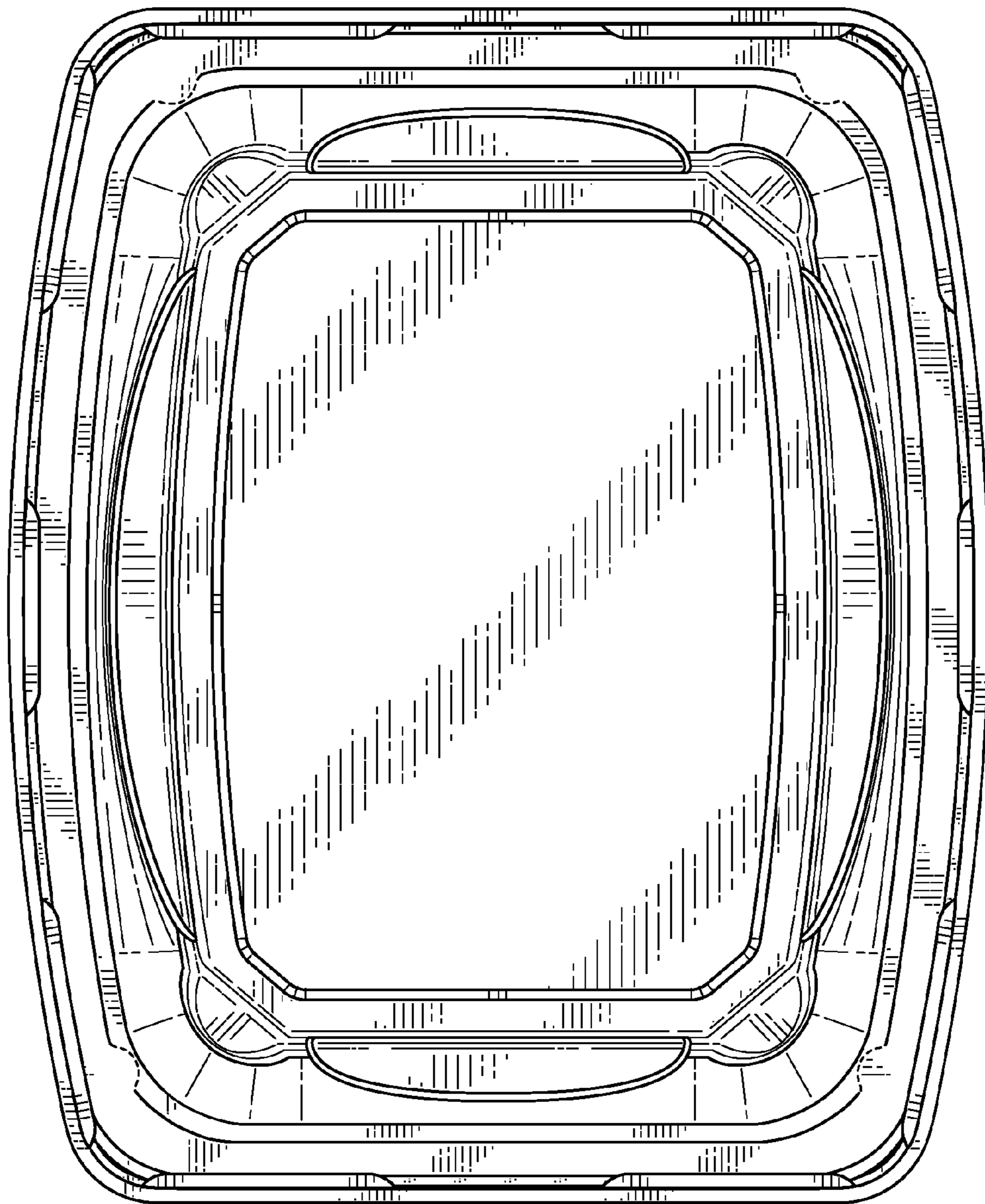


FIG. 3

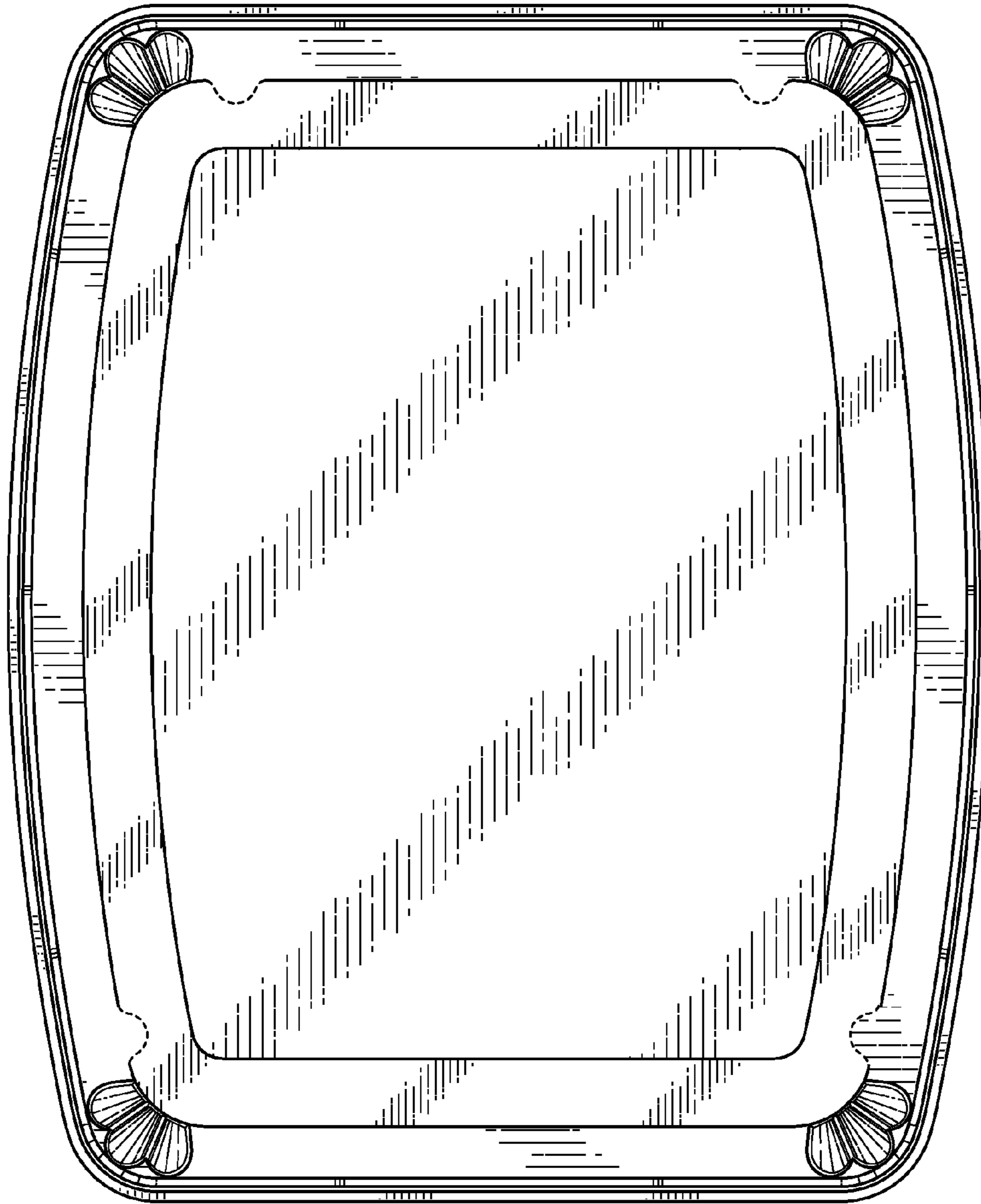


FIG. 4

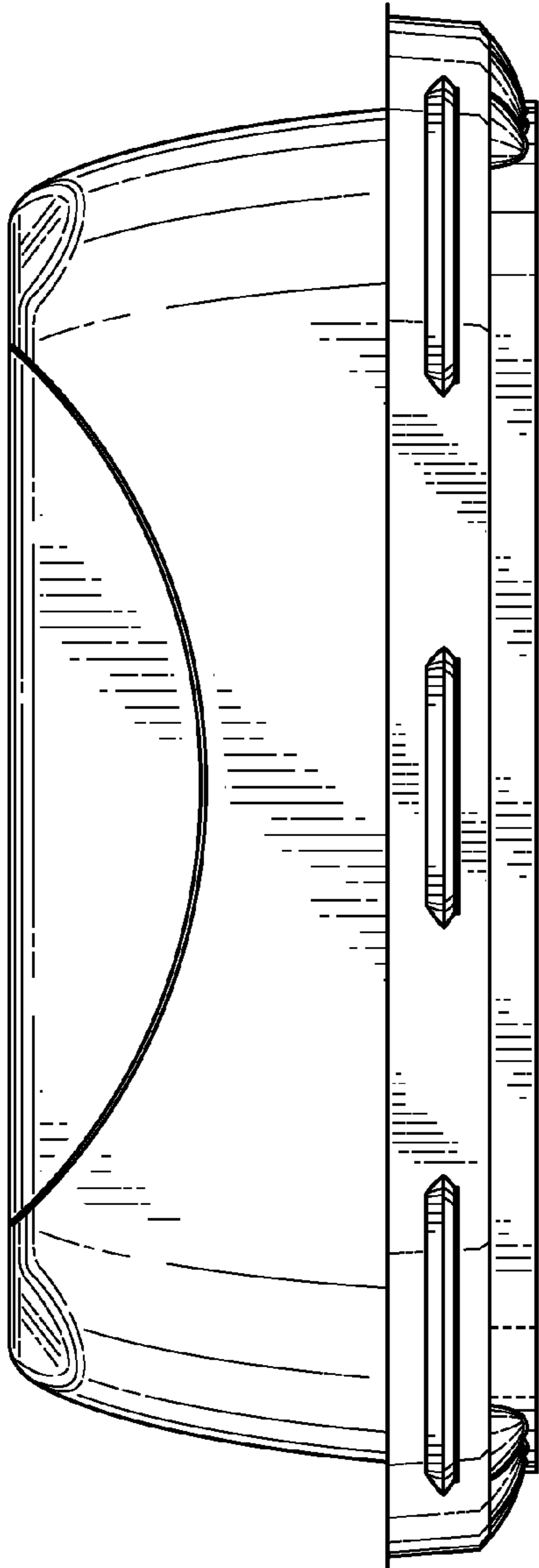


FIG. 5

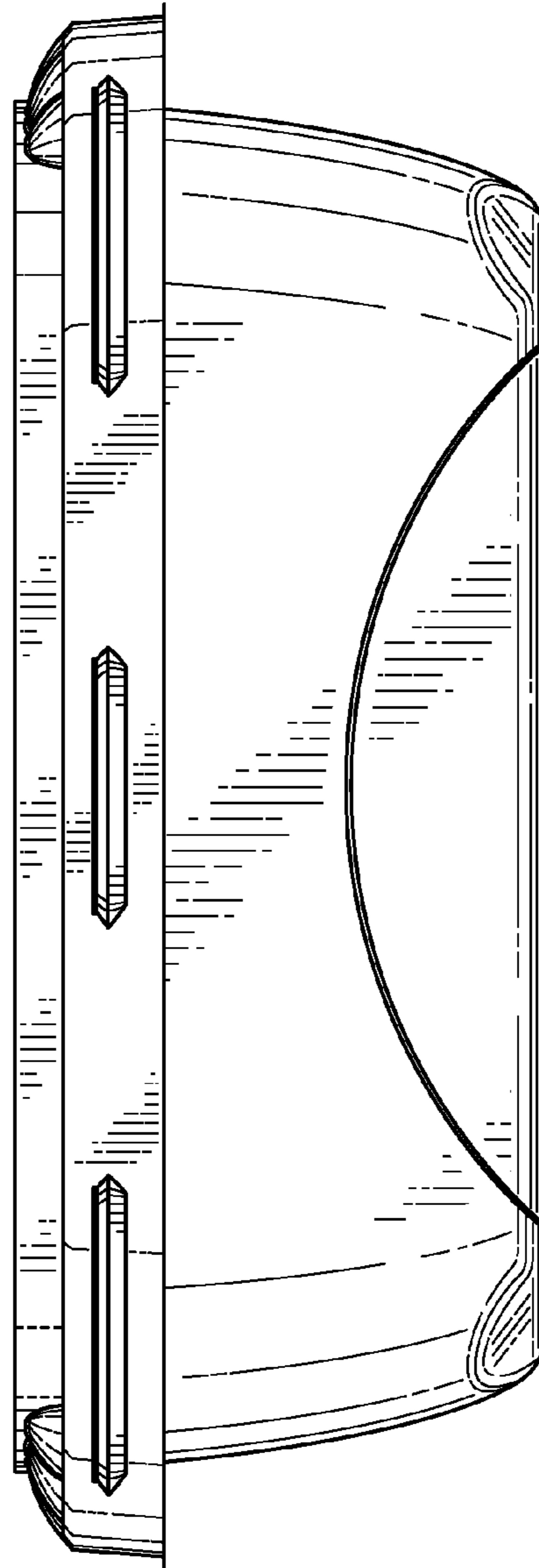


FIG. 6

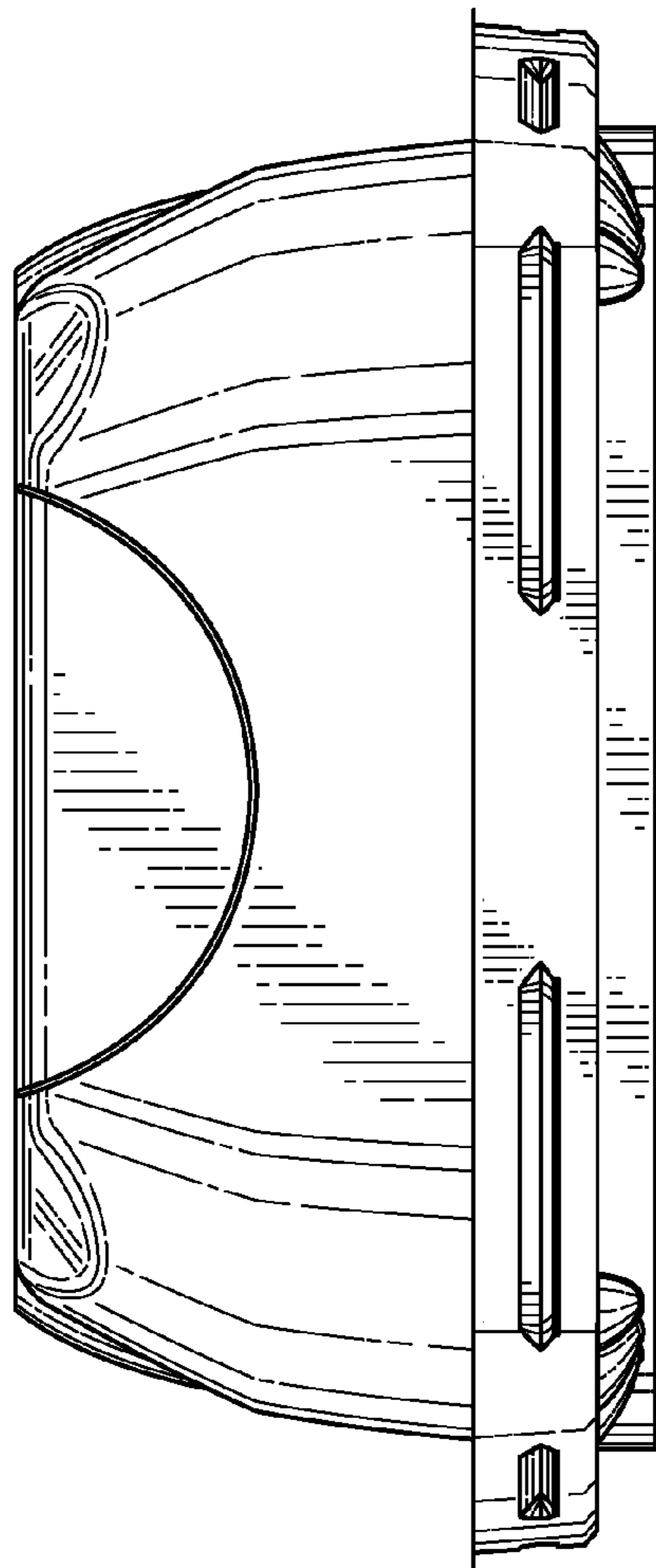


FIG. 7

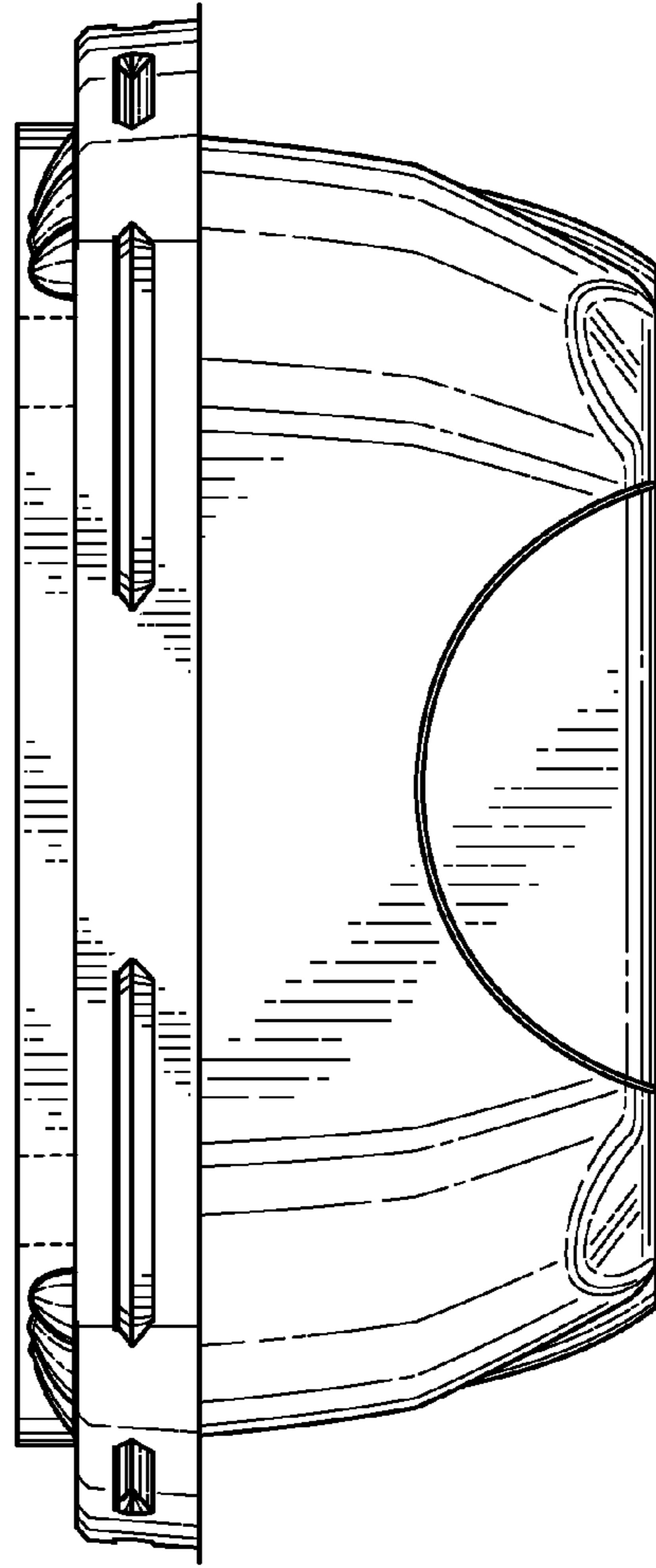


FIG. 8