



US00D664842S

(12) **United States Design Patent**
Meyer et al.

(10) **Patent No.:** **US D664,842 S**

(45) **Date of Patent:** **** Aug. 7, 2012**

(54) **PACKAGE**

(75) Inventors: **Marc R. Meyer**, Grand Rapids, MI (US); **Gordon L. Beach**, Muskegon, MI (US); **Matthew D. Hansen**, Rockford, MI (US); **David A. Korhorn**, Rockford, MI (US)

(73) Assignee: **Display Pack, Inc.**, Grand Rapids, MI (US)

(**) Term: **14 Years**

(21) Appl. No.: **29/392,281**

(22) Filed: **May 19, 2011**

(51) **LOC (9) Cl.** **09-03**

(52) **U.S. Cl.** **D9/425; D9/432**

(58) **Field of Classification Search** D9/414-418, D9/420-435, 440, 443-444, 447-454, 629, D9/737, 761; 206/503, 521.1, 541, 564; 220/23.8, 23.83, 315, 324, 326, 367, 556, 220/835; D3/203.2, 294; D7/354, 359, 391-392.1, D7/392, 396.2, 500-505, 510-511, 538-545, D7/602, 629; 229/110, 406-407, 902-906
See application file for complete search history.

(56) **References Cited**

U.S. PATENT DOCUMENTS

D475,620 S * 6/2003 Chen et al. D9/425
D527,956 S * 9/2006 Doliwa D7/629
D589,342 S * 3/2009 Maslowski D9/428

D634,616 S * 3/2011 Hansen et al. D9/420
2004/0129715 A1 * 7/2004 Bogdanovich 220/843
2008/0041850 A1 * 2/2008 Tucker et al. 220/212

* cited by examiner

Primary Examiner — Thomas Johannes

(74) *Attorney, Agent, or Firm* — Warner Norcross & Judd LLP

(57) **CLAIM**

The ornamental design for a package, as shown and described.

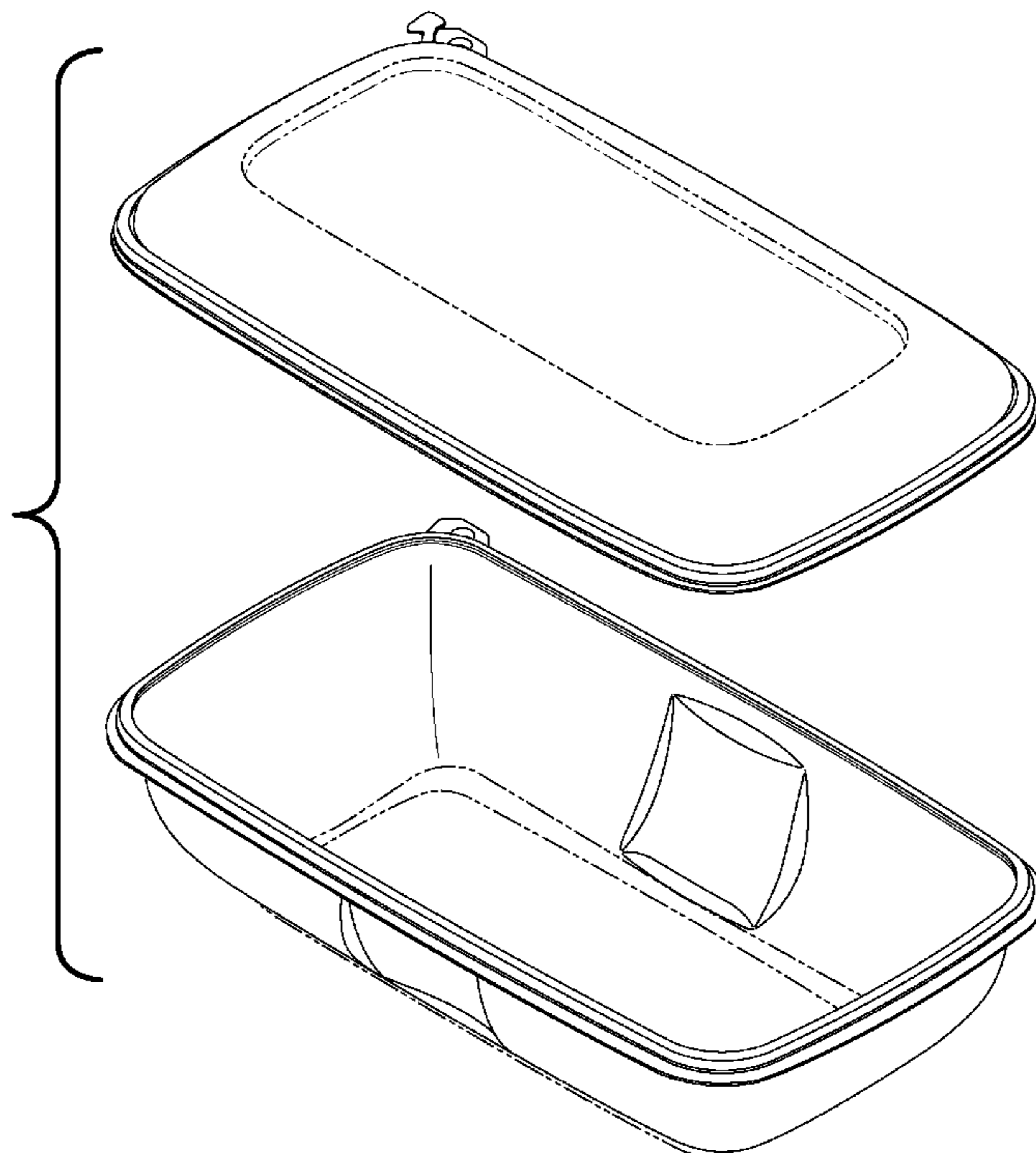
DESCRIPTION

FIG. 1 is a top, right, front perspective view of a package; FIG. 2 is an exploded top, right, front perspective view thereof; FIG. 3 is a front view thereof; FIG. 4 is a rear view thereof; FIG. 5 is a right side view thereof; FIG. 6 is a left side view thereof; FIG. 7 is a top view thereof; FIG. 8 is a bottom view thereof; and, FIG. 9 is a sectional view taken in the direction of line 9-9 of FIG. 7.

The broken line portions are shown for environmental purposes and form no part of the claimed design. The broken line segments immediately adjacent the solid line portions of the design define the boundary of the design, but do not themselves form part of the claimed design.

The sectional views are provided to show the design of the flanges, which may not be clear from the other figures, and the design does not extend to the interior of the package or the alternative embodiment of the package.

1 Claim, 3 Drawing Sheets



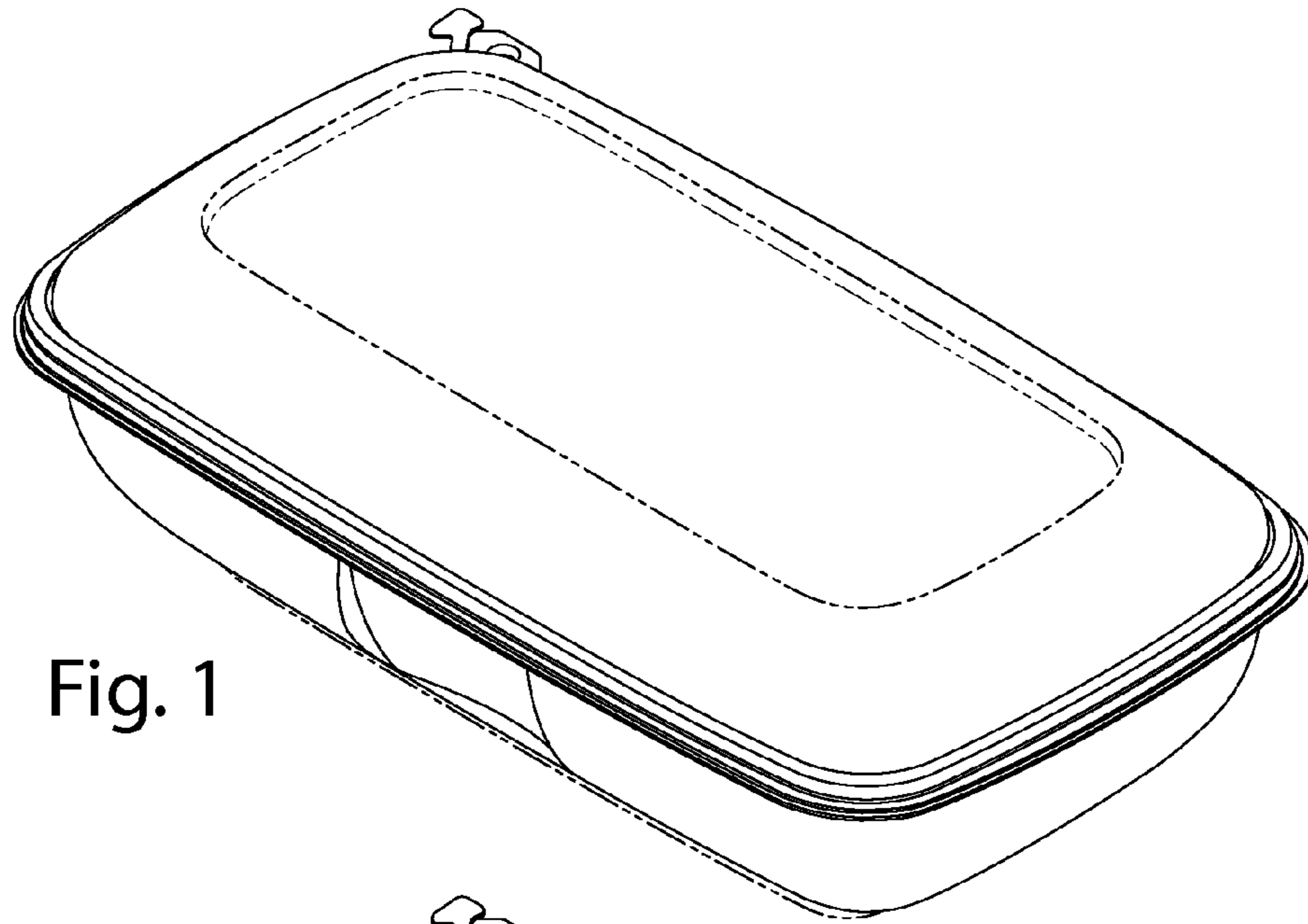


Fig. 1

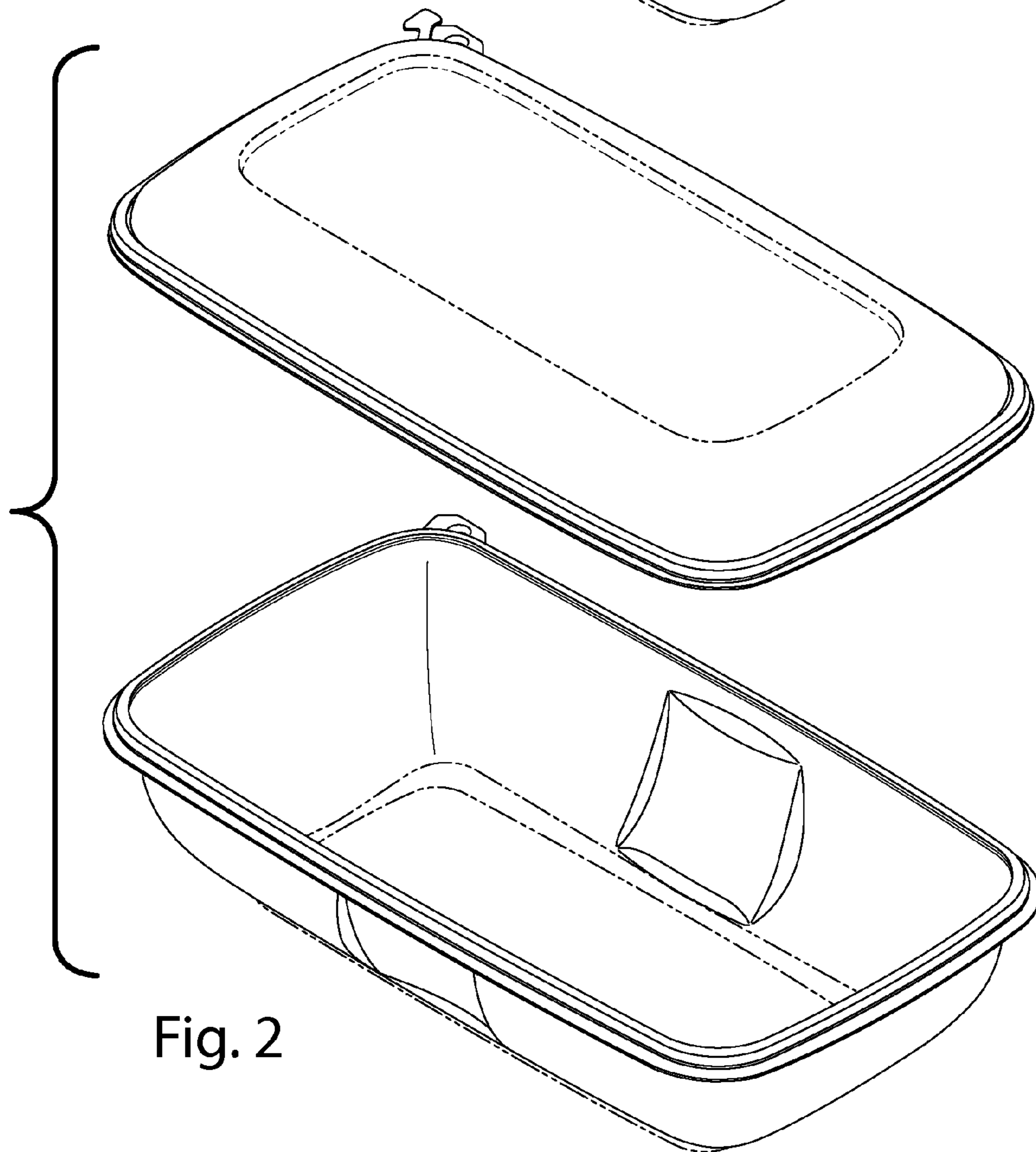


Fig. 2

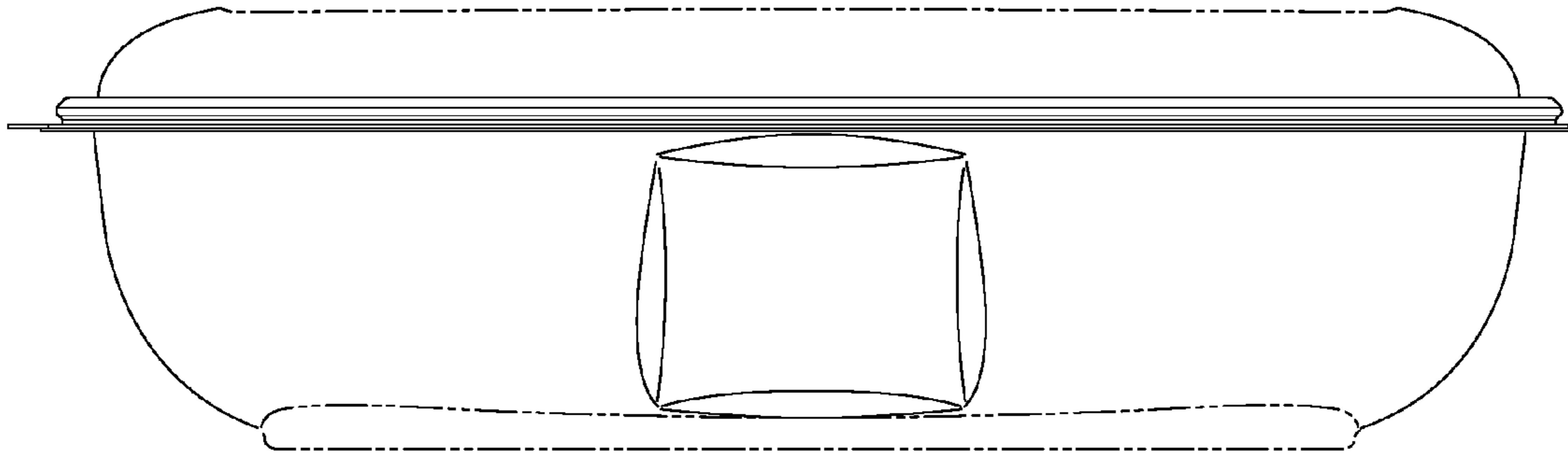


Fig. 3

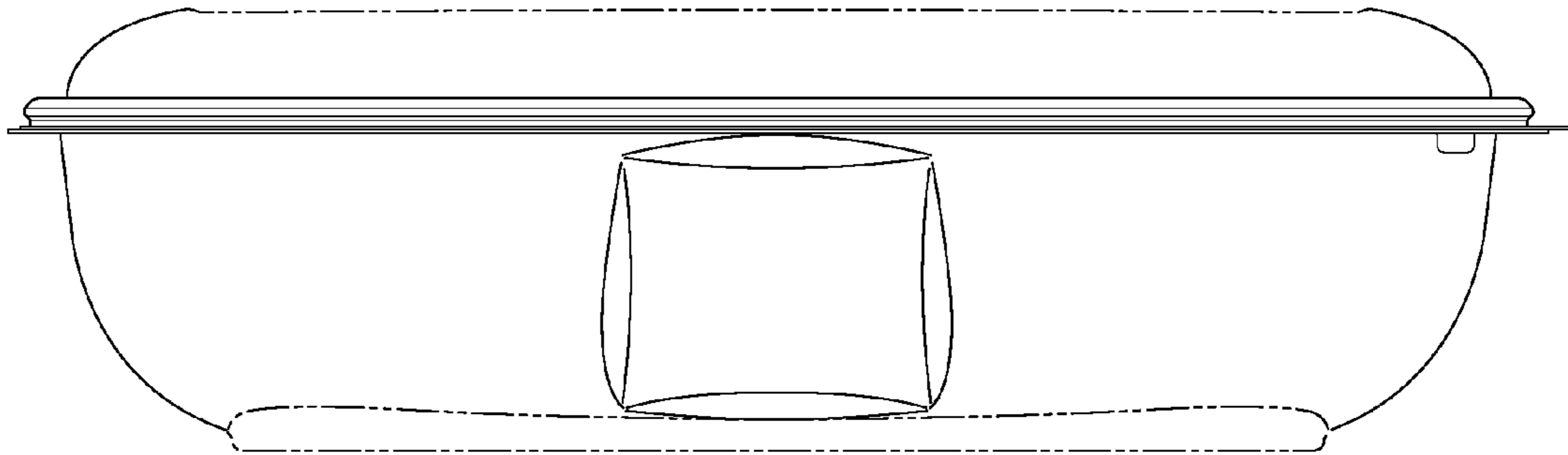


Fig. 4



Fig. 5

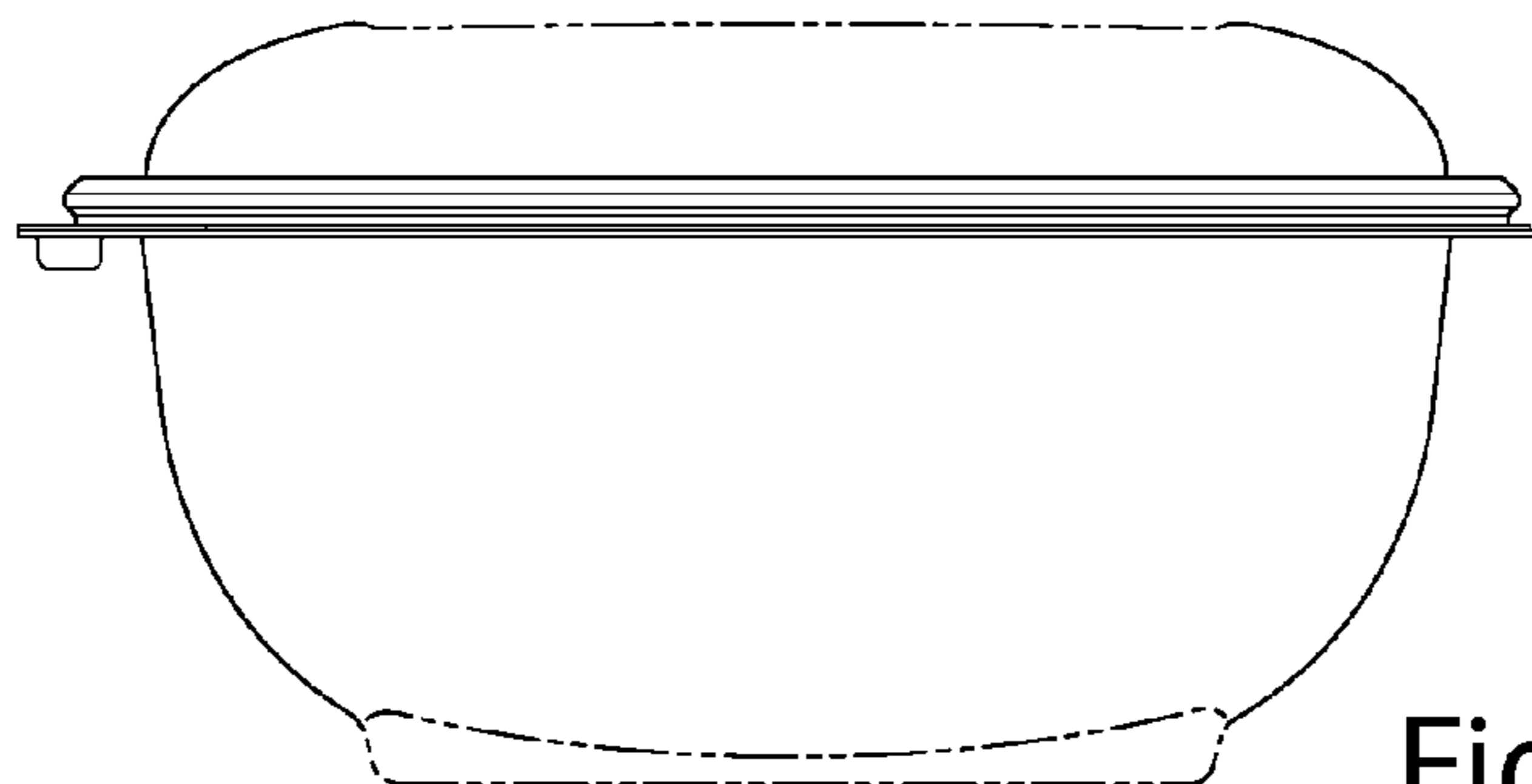


Fig. 6

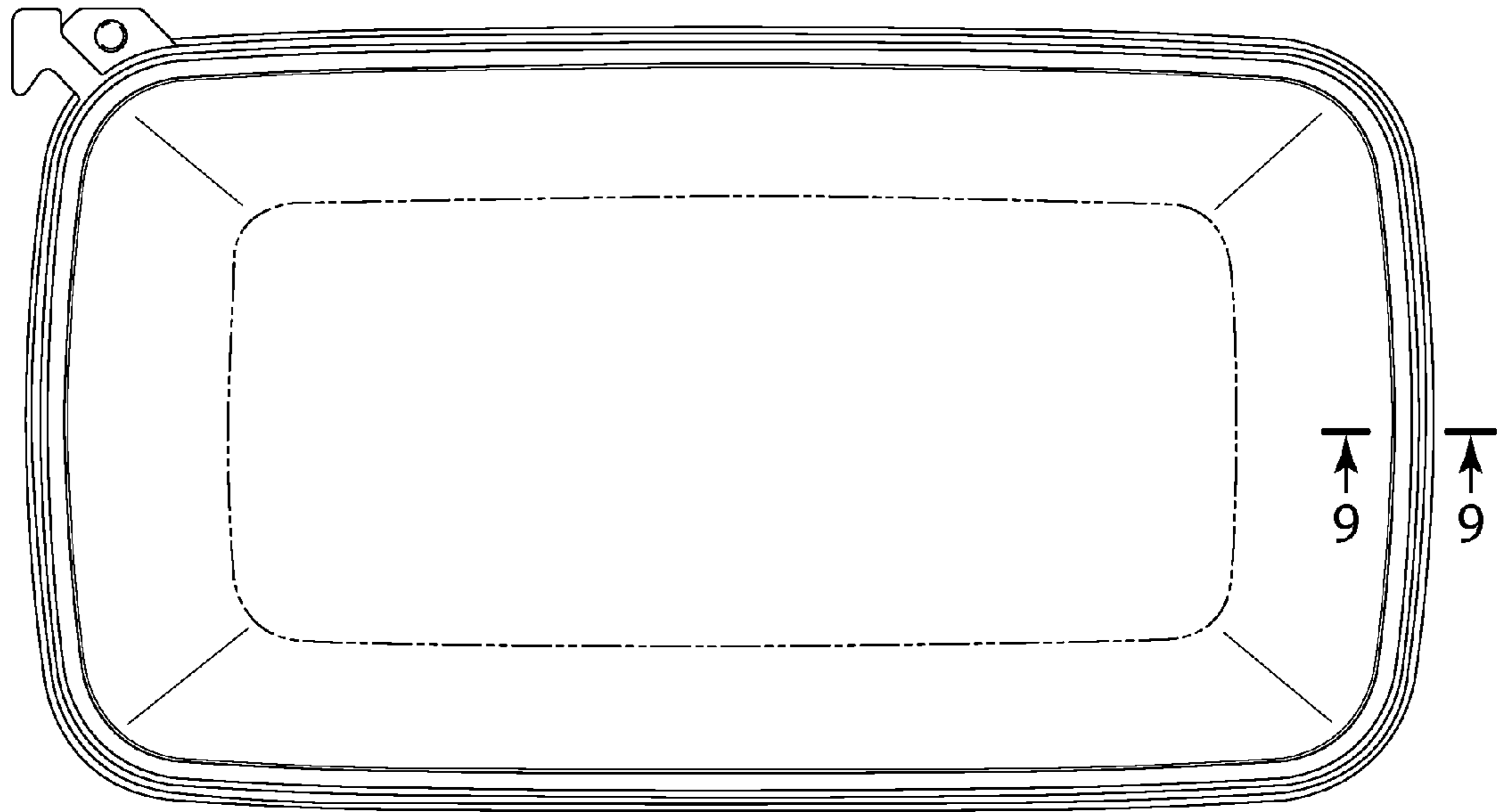


Fig. 7

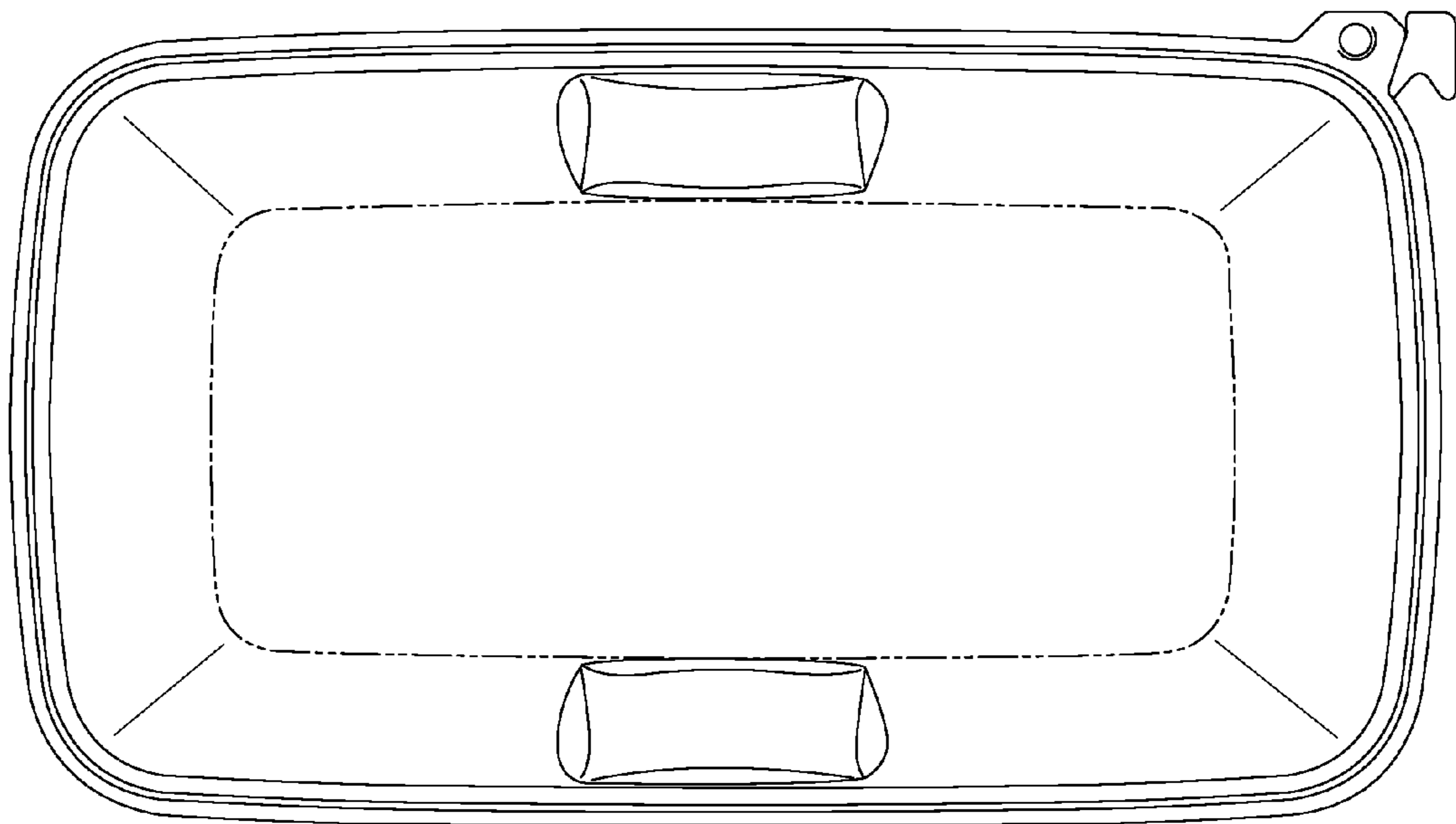


Fig. 8

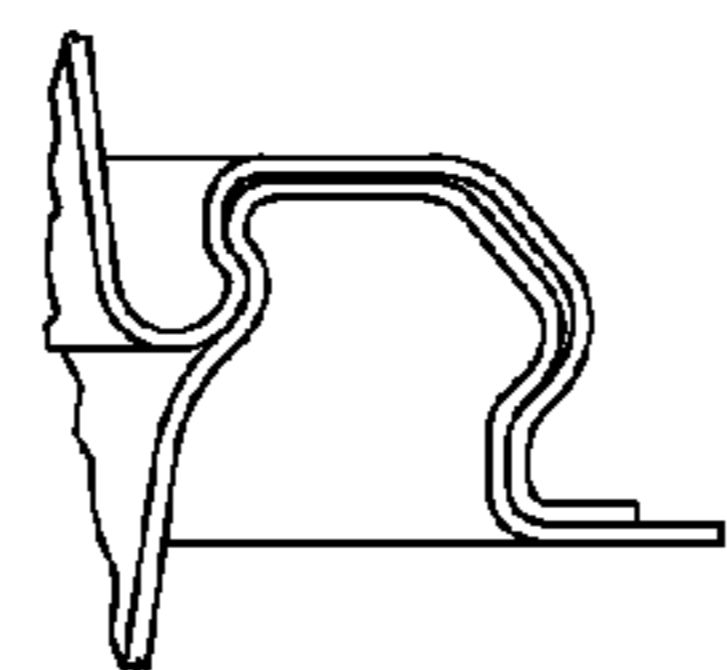


Fig. 9