

US00D664841S

(12) **United States Design Patent**
Allers et al.

(10) **Patent No.:** **US D664,841 S**

(45) **Date of Patent:** **** Aug. 7, 2012**

(54) **FOOD CONTAINER**

(75) Inventors: **Brian S. Allers**, Poughkeepsie, NY (US); **James J. Reilly**, Queensbury, NY (US); **Edward W. Rider, Jr.**, Slate Hill, NY (US)

(73) Assignee: **Genpak LLC**, Glen Falls, NY (US)

(**) Term: **14 Years**

(21) Appl. No.: **29/402,010**

(22) Filed: **Sep. 19, 2011**

Related U.S. Application Data

(63) Continuation of application No. 29/384,481, filed on Jan. 31, 2011, now Pat. No. Des. 645,342.

(51) **LOC (9) Cl.** **09-03**

(52) **U.S. Cl.** **D9/423**

(58) **Field of Classification Search** D9/734,
D9/707, 629, 456, 435, 434, 433, 432, 427,
D9/426, 425, 424, 423, 420, 418, 414, 430;
D7/354; D6/518, 515; D3/294, 302; D27/189;
383/42; 220/4.23, 409, 784, 778, 776, 494,
220/482, 268, 265

See application file for complete search history.

(56) **References Cited**

U.S. PATENT DOCUMENTS

D184,057 S * 12/1958 Kearns D9/425
D194,814 S * 3/1963 Engles D9/425

D200,555 S * 3/1965 Iwanski D9/425
D207,131 S * 3/1967 Peace D9/425
D309,715 S * 8/1990 Kuerti D9/424
D420,584 S * 2/2000 Hopkins D9/423
D522,355 S * 6/2006 Castellanos et al. D9/425
D540,666 S * 4/2007 Ramirez et al. D9/423
D554,498 S * 11/2007 Lovett D9/425
D575,095 S * 8/2008 Schreiber-Pethan et al. .. D7/354
D603,697 S * 11/2009 Edwards et al. D9/425
D622,588 S * 8/2010 Wichmann et al. D9/424
D628,471 S * 12/2010 Golota et al. D9/425
D645,342 S 9/2011 Allers et al.
D645,343 S 9/2011 Allers et al.
D657,237 S 4/2012 Allers et al.

* cited by examiner

Primary Examiner — Susan Bennett Hattan

(74) *Attorney, Agent, or Firm* — Stoel Rives LLP

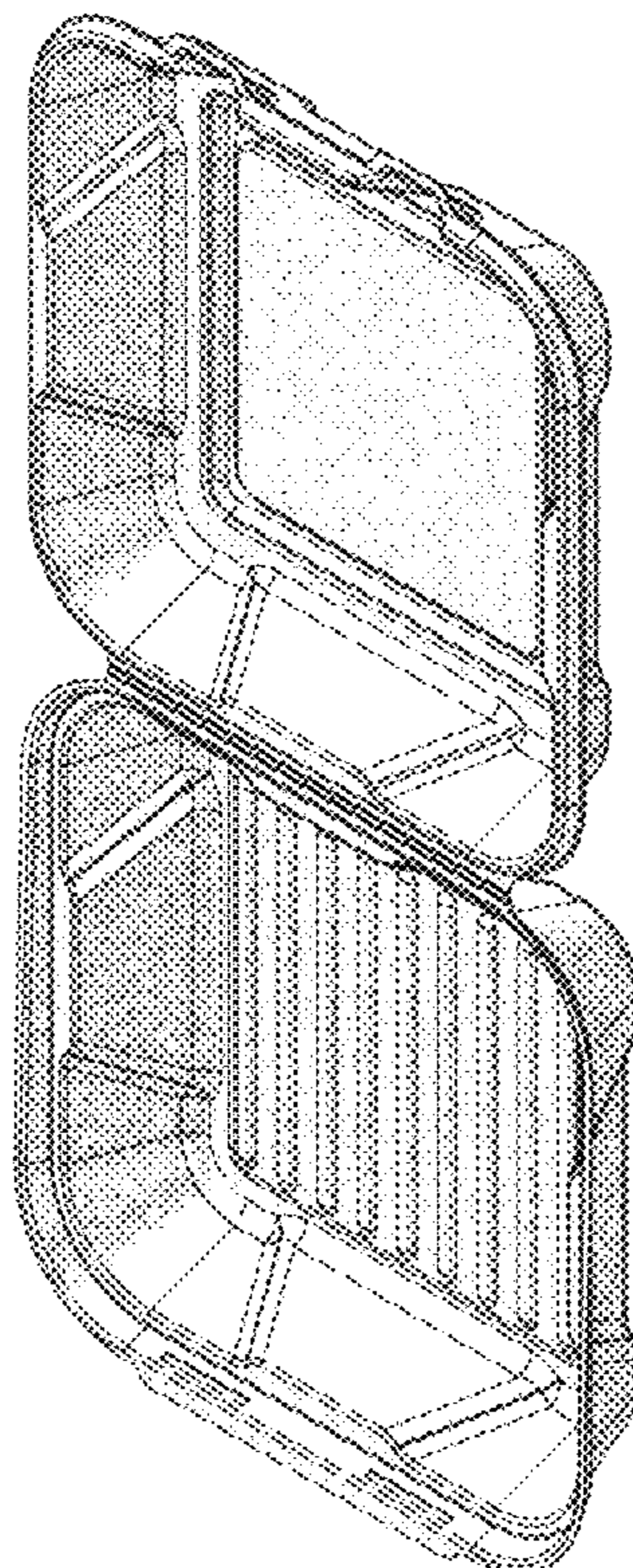
(57) **CLAIM**

The ornamental design for a food container, as shown and described.

DESCRIPTION

FIG. 1 is an upper perspective view of a food container;
FIG. 2 is another upper perspective view thereof;
FIG. 3 is a lower perspective view thereof;
FIG. 4 is a top plan view thereof;
FIG. 5 is a bottom plan view thereof;
FIG. 6 is a left side elevation view thereof;
FIG. 7 is a right side elevation view thereof;
FIG. 8 is a rear elevation view thereof; and,
FIG. 9 is a front elevation view thereof.

1 Claim, 7 Drawing Sheets



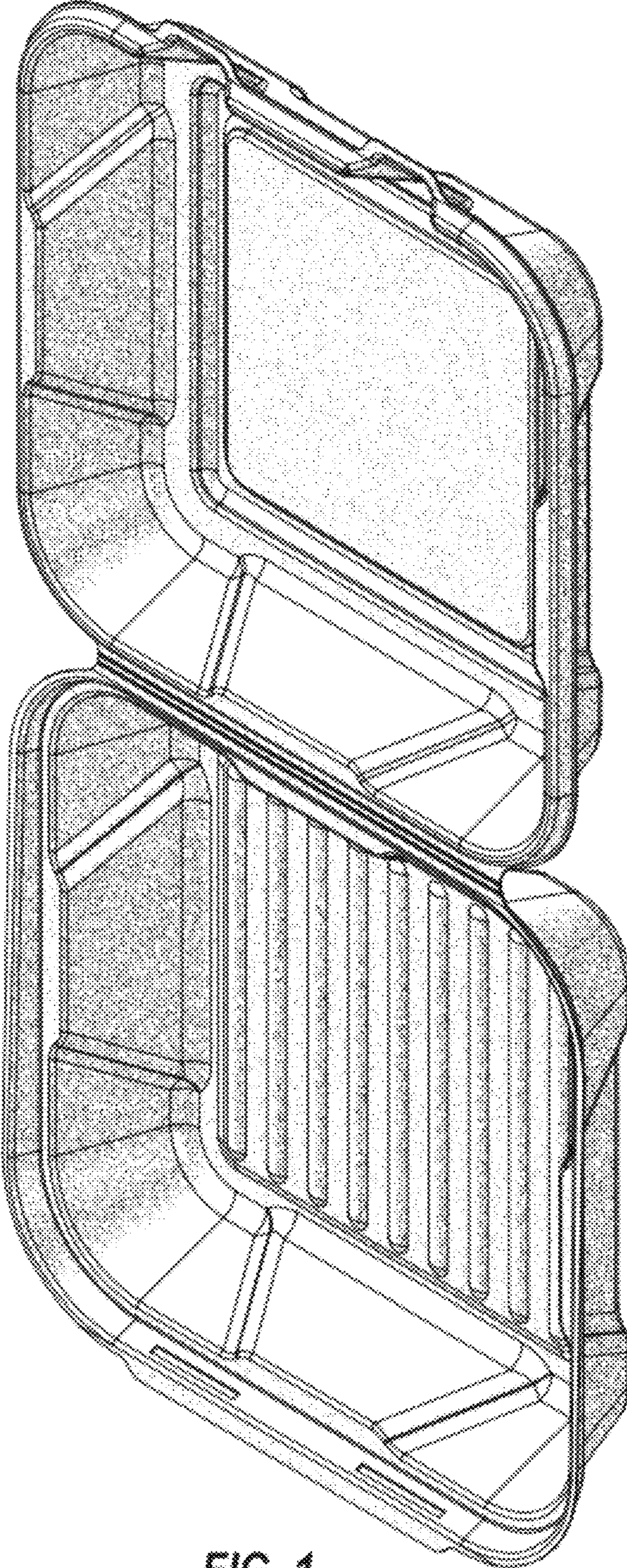


FIG. 1

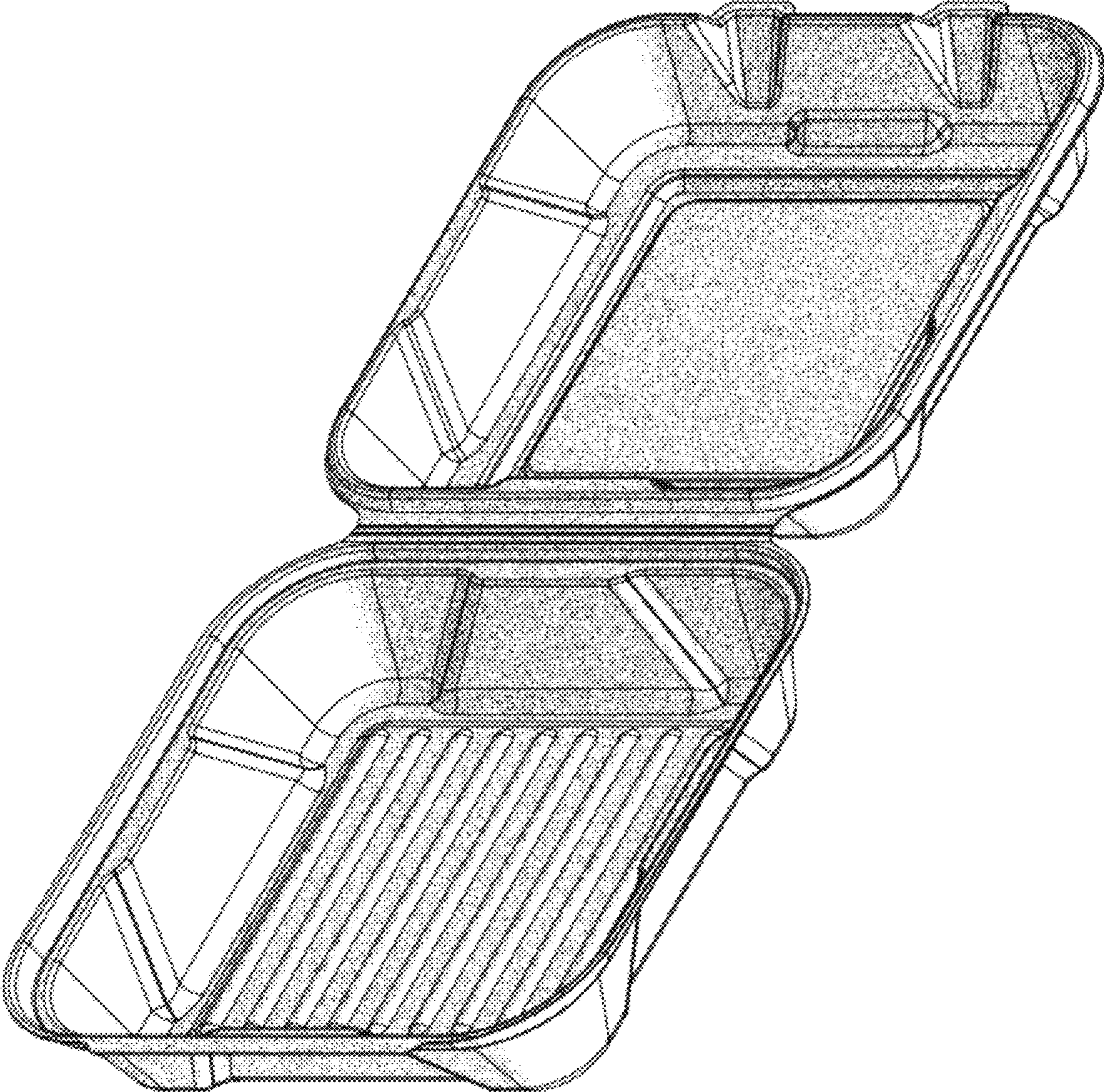


FIG. 2

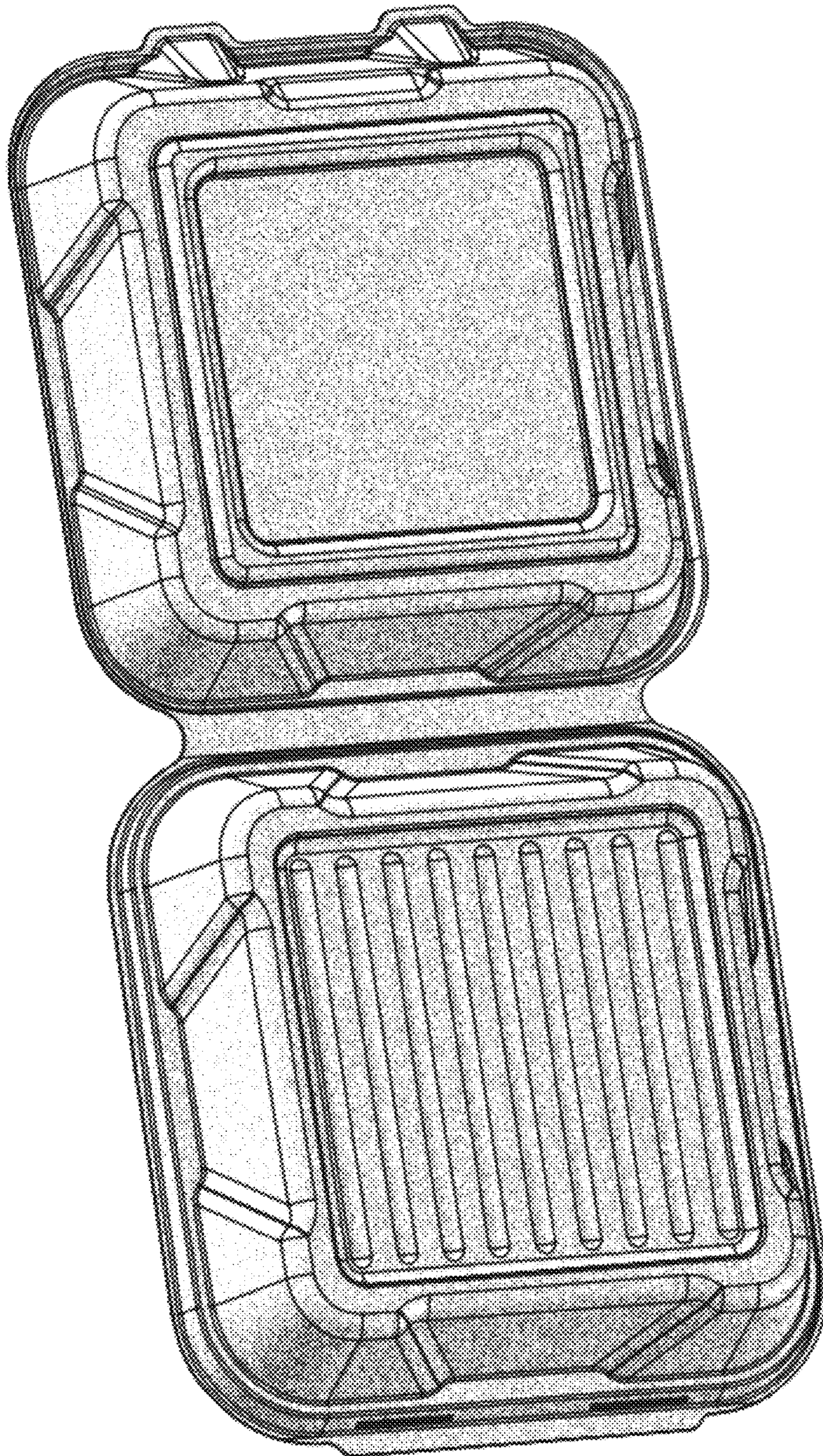


FIG. 3

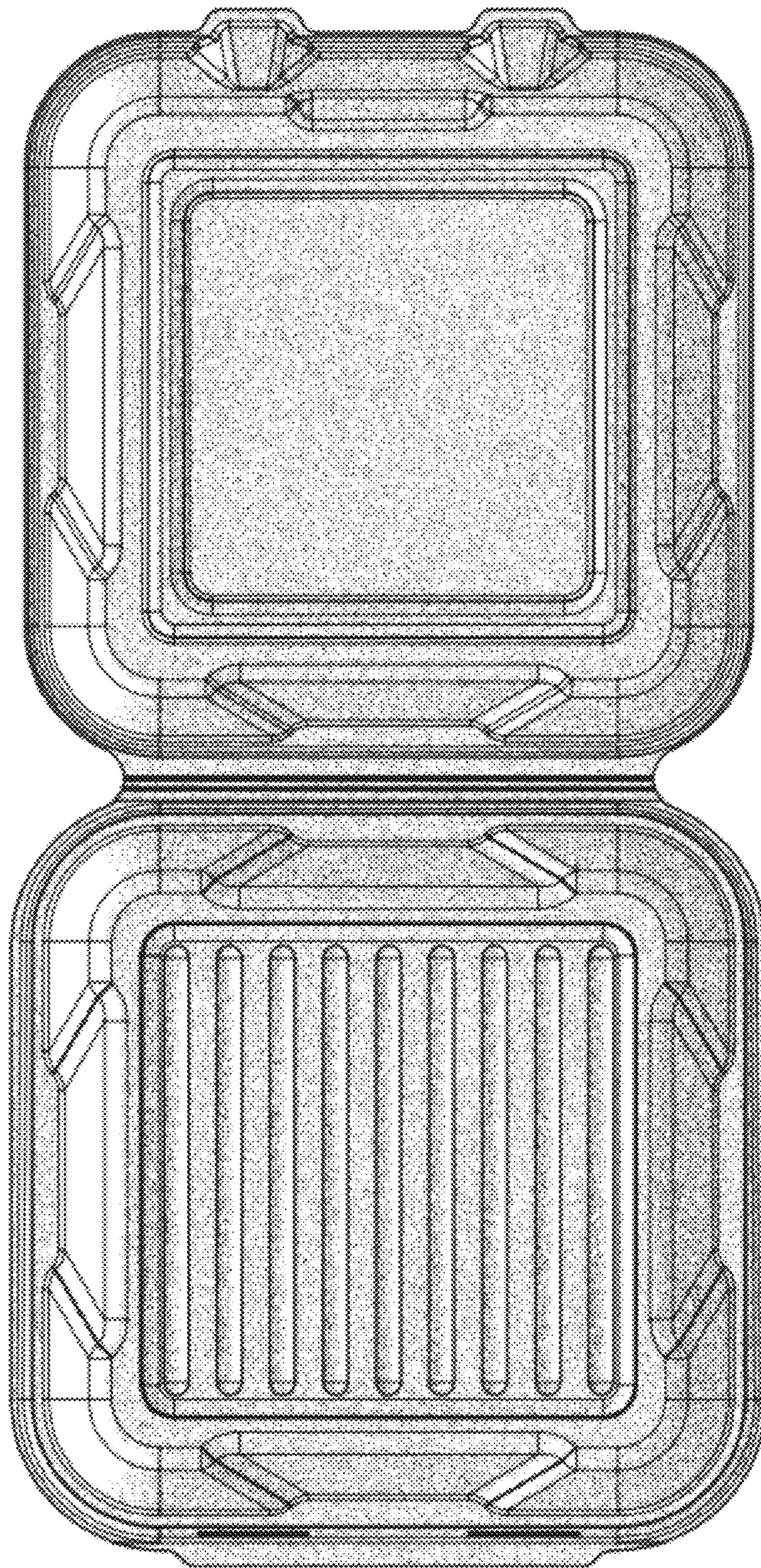


FIG. 4

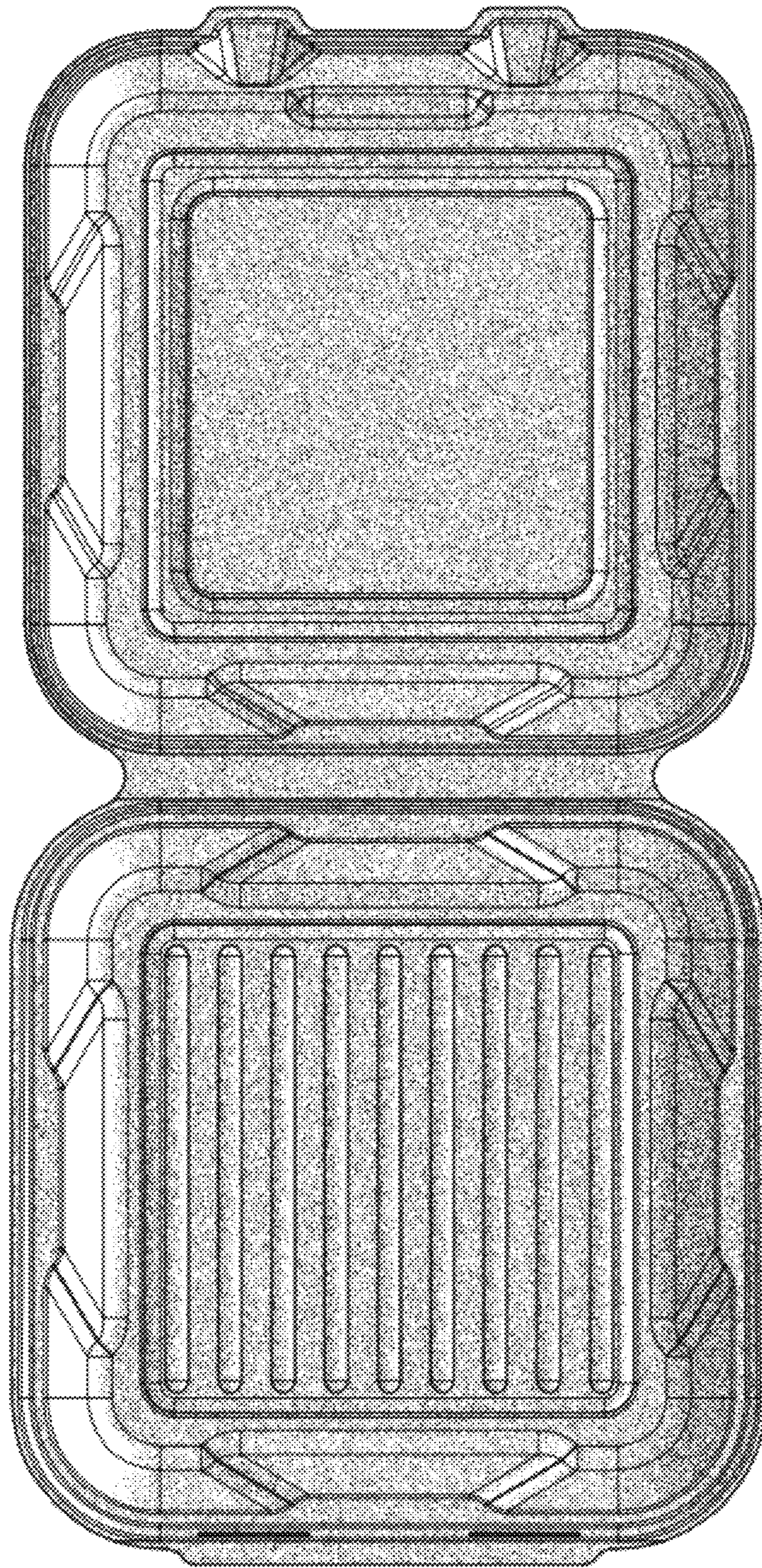


FIG. 5

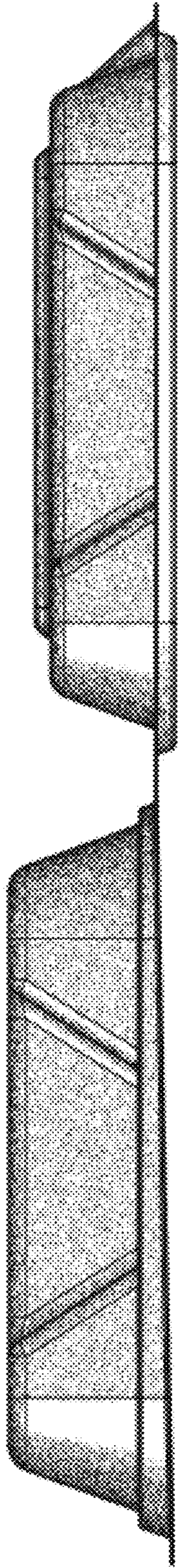


FIG. 6

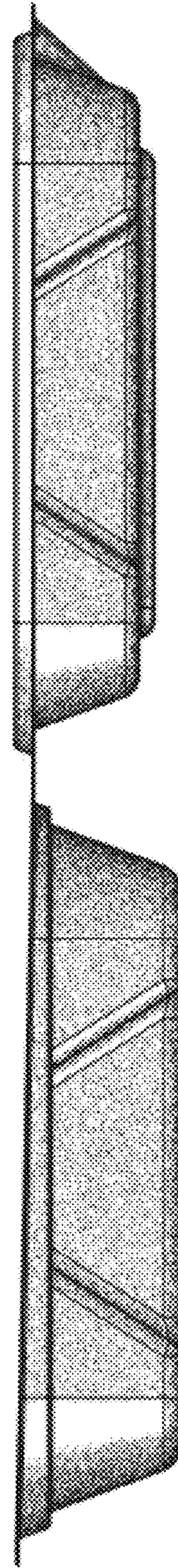


FIG. 7

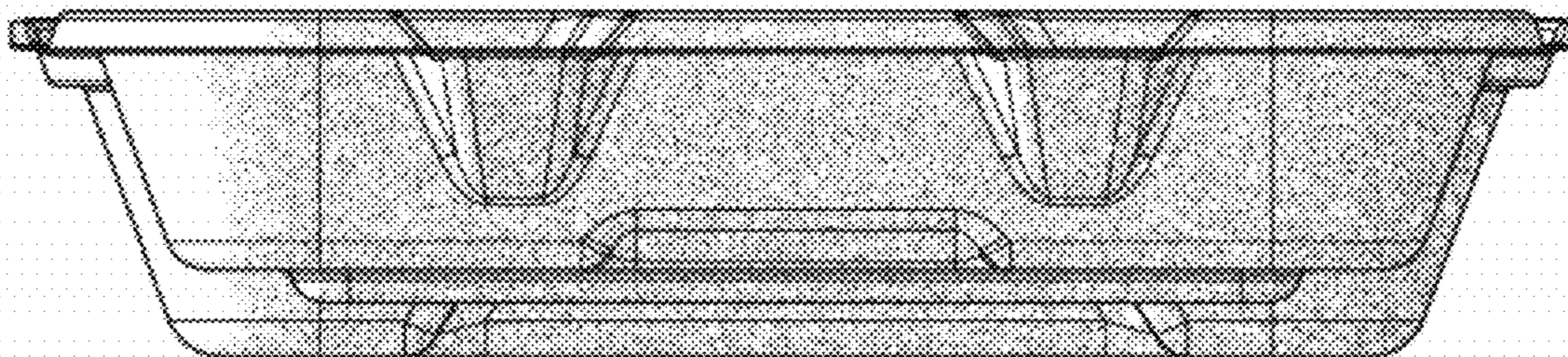


FIG. 8

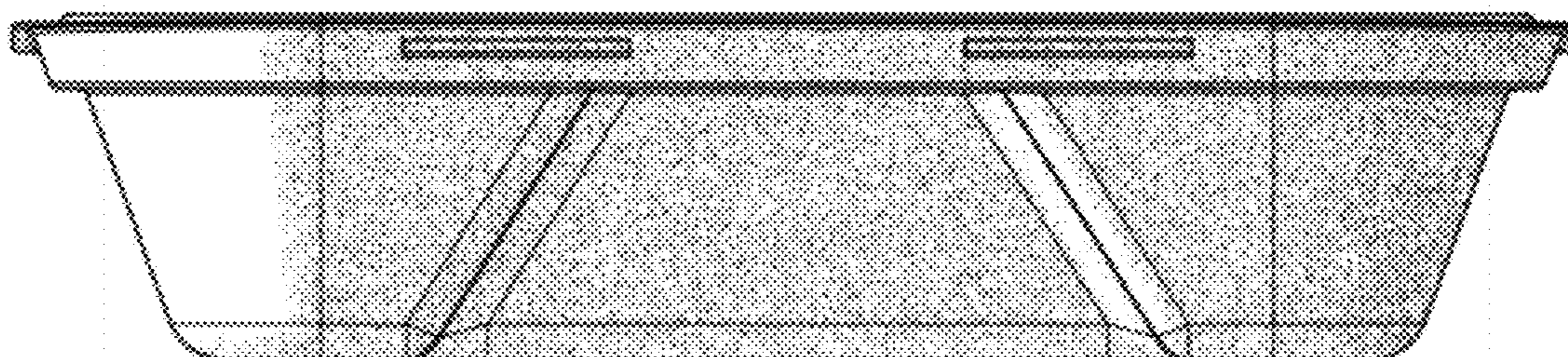


FIG. 9