

US00D664840S

(12) **United States Design Patent**
Jones et al.

(10) **Patent No.:** **US D664,840 S**

(45) **Date of Patent:** **** Aug. 7, 2012**

(54) **SMOKELESS TOBACCO CAN**

(76) Inventors: **William Michael Jones**, Millington, TN
(US); **Joseph Patrick Hettinger**,
Winston-Salem, NC (US)

(**) Term: **14 Years**

(21) Appl. No.: **29/389,581**

(22) Filed: **Apr. 13, 2011**

(51) **LOC (9) Cl.** **09-03**

(52) **U.S. Cl.** **D9/423**

(58) **Field of Classification Search** 222/92;
206/6.1, 5.1, 303, 530-538, 566, 581, 823,
206/459.5; 220/8, 4.26, 4.27, 253, 288, 376,
220/380, 907; 229/4.5; 132/293-294, 315;
D28/7-8, 76-82; D3/203.1-203.8, 201,
D3/205; D9/428, 414, 420-424, 503, 504,
D9/521, 337, 780

See application file for complete search history.

(56) **References Cited**

U.S. PATENT DOCUMENTS

D256,334	S	*	8/1980	Stahel, II	D9/504
D324,997	S	*	3/1992	Jones	D9/529
5,752,599	A	*	5/1998	Veltman	206/236
D431,458	S	*	10/2000	Bried et al.	D3/203.2
D494,474	S		8/2004	Houk et al.		
D499,025	S	*	11/2004	Houk et al.	D9/520
D510,524	S		10/2005	Houk		
D513,386	S	*	1/2006	Pace et al.	D9/504
D514,936	S	*	2/2006	Pace et al.	D9/504
D515,426	S	*	2/2006	Pace et al.	D9/504
D515,928	S	*	2/2006	Pace	D9/504
D523,752	S	*	6/2006	Bried et al.	D9/504
D531,036	S	*	10/2006	Bried et al.	D9/504
D567,656	S	*	4/2008	Neias	D9/449
D574,709	S	*	8/2008	Crotts et al.	D9/504

D581,792	S	*	12/2008	Krohn	D9/504
7,798,319	B1	*	9/2010	Bried et al.	206/242
D640,545	S	*	6/2011	Gibson et al.	D9/428
D640,546	S	*	6/2011	Berggren	D9/428
D650,269	S	*	12/2011	Berggren	D9/428
D651,519	S	*	1/2012	Gibson et al.	D9/529
2005/0173272	A1		8/2005	Lemmons, IV		
2010/0018541	A1		1/2010	Gerardi et al.		
2010/0018882	A1		1/2010	St. Charles		
2010/0018883	A1		1/2010	Patel		
2010/0193525	A1		8/2010	Rosazza et al.		
2010/0307113	A1*		12/2010	Bried et al.	53/400

* cited by examiner

Primary Examiner — Thomas Johannes

(74) *Attorney, Agent, or Firm* — Wyatt, Tarrant & Combs,
LLP; William S. Parks

(57) **CLAIM**

The ornamental design for the smokeless tobacco can, as shown and described.

DESCRIPTION

FIG. 1 is a top perspective view of a smokeless tobacco can showing my new design;

FIG. 2 is a bottom perspective plain view thereof;

FIG. 3 is a side view thereof;

FIG. 4 is a side view thereof rotated 90° from the view of FIG. 3;

FIG. 5 is a side view thereof rotated 90° from the view of FIG. 4;

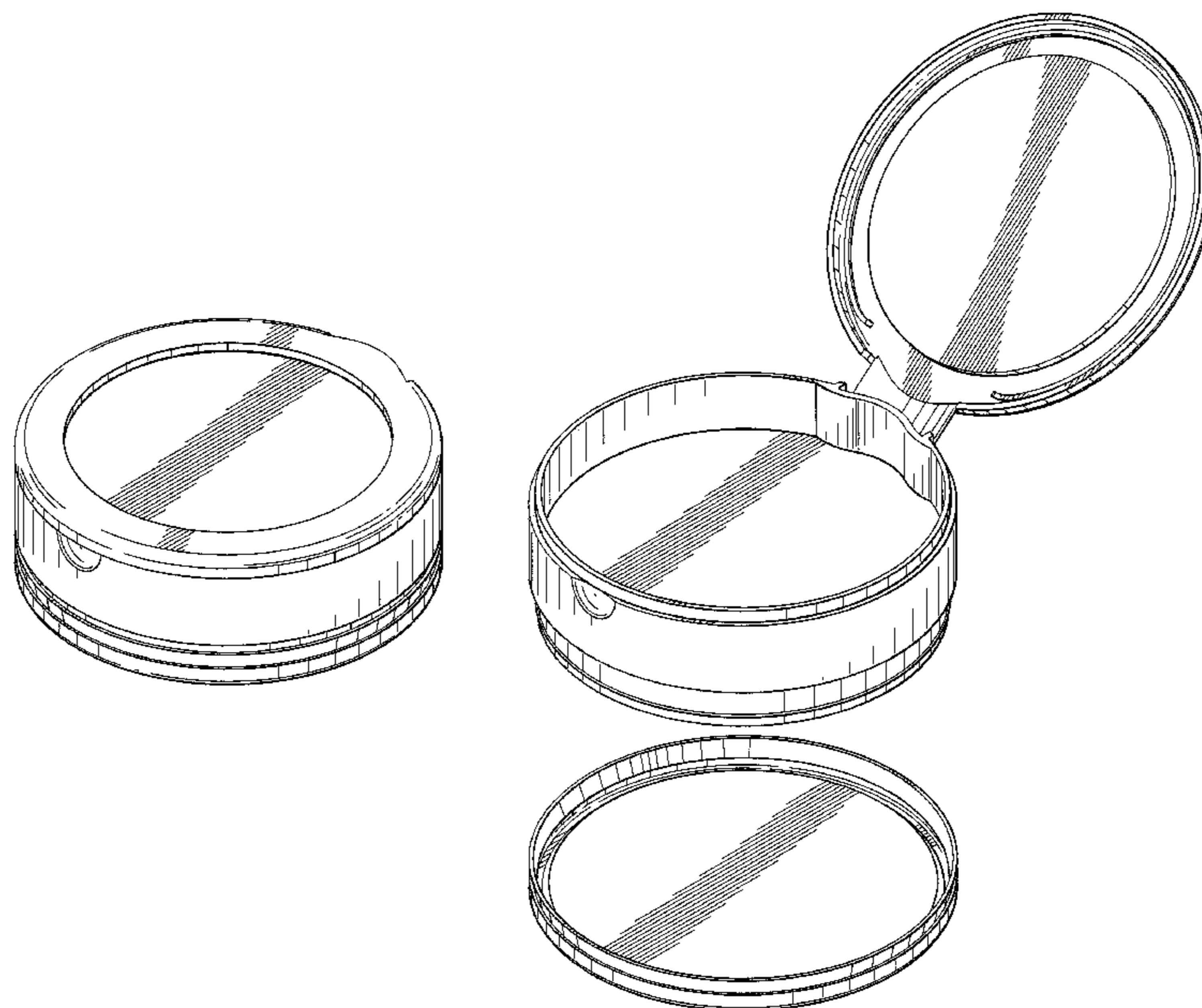
FIG. 6 is a side view thereof rotated 90° from the view of FIG. 5;

FIG. 7 is a top view thereof;

FIG. 8 is a bottom view thereof; and,

FIG. 9 is a perspective view thereof with a bottom lid removed and a top attached lid open.

1 Claim, 4 Drawing Sheets



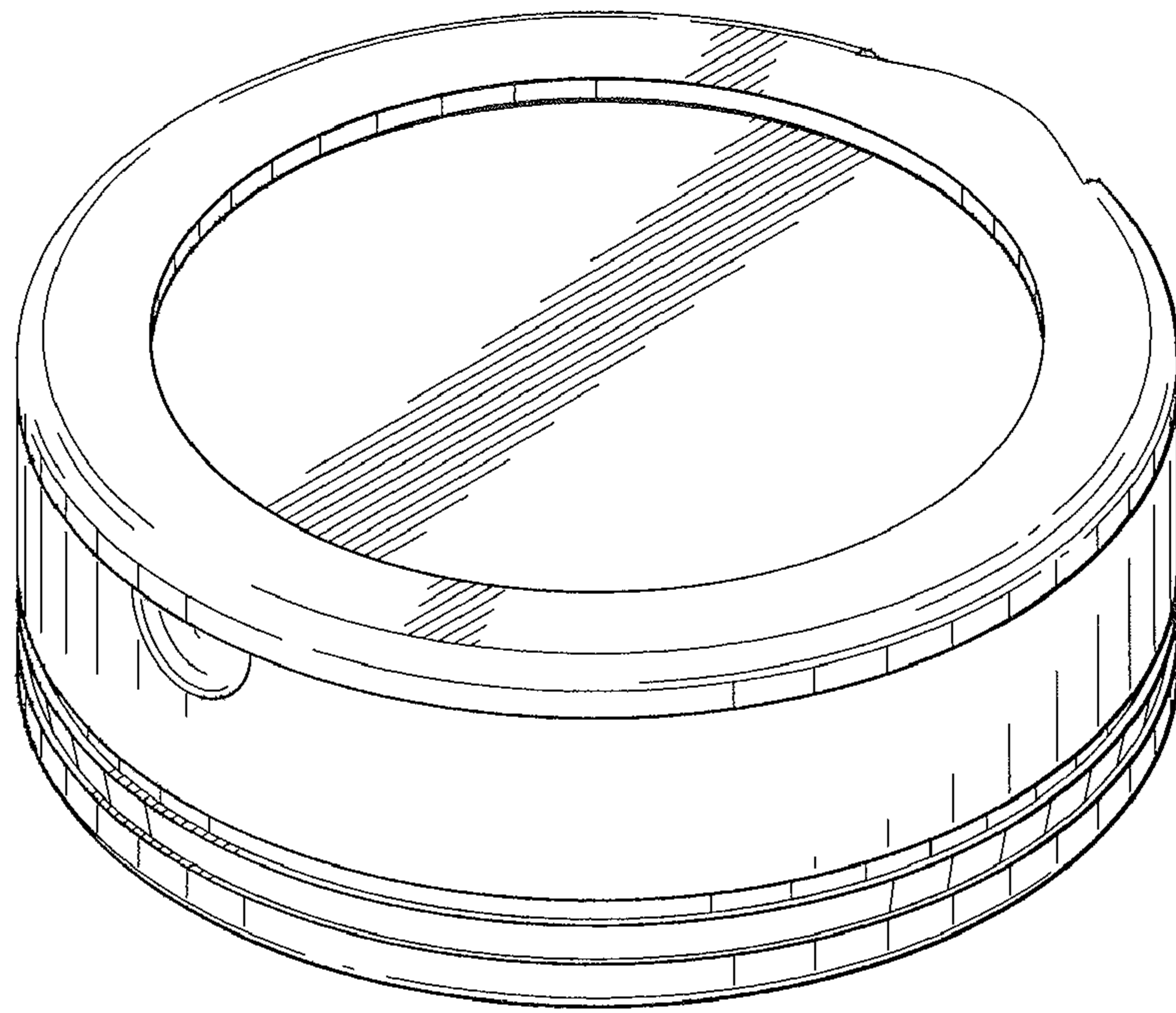


FIG. 1

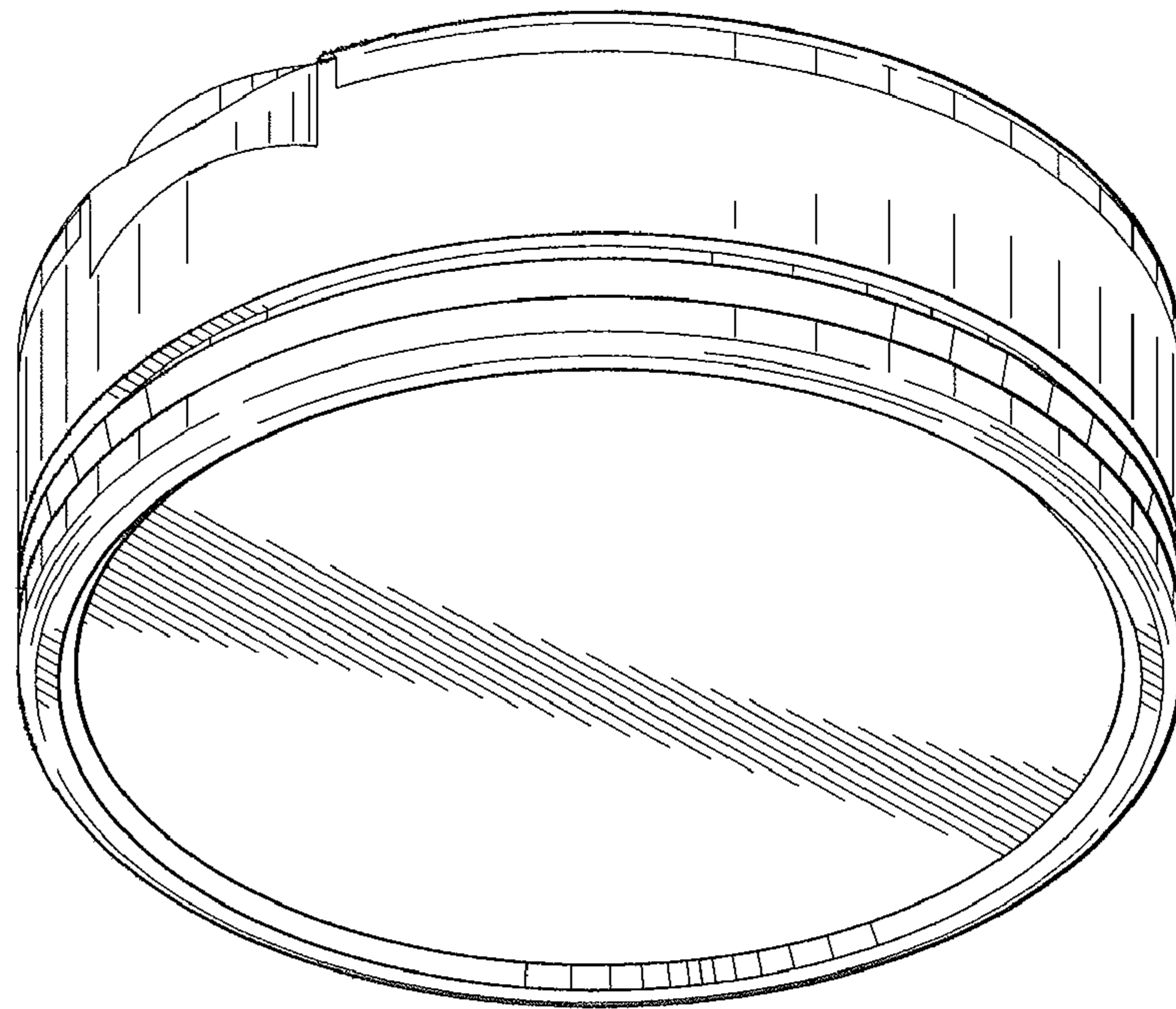


FIG. 2

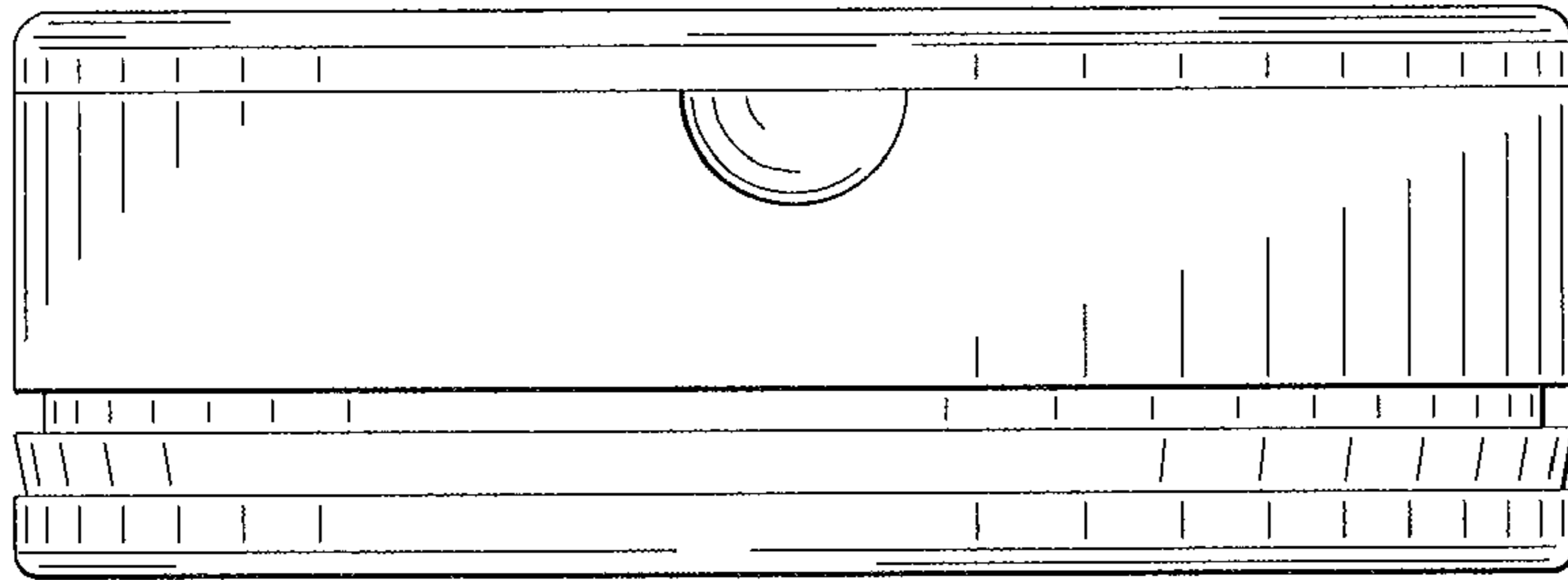


FIG. 3

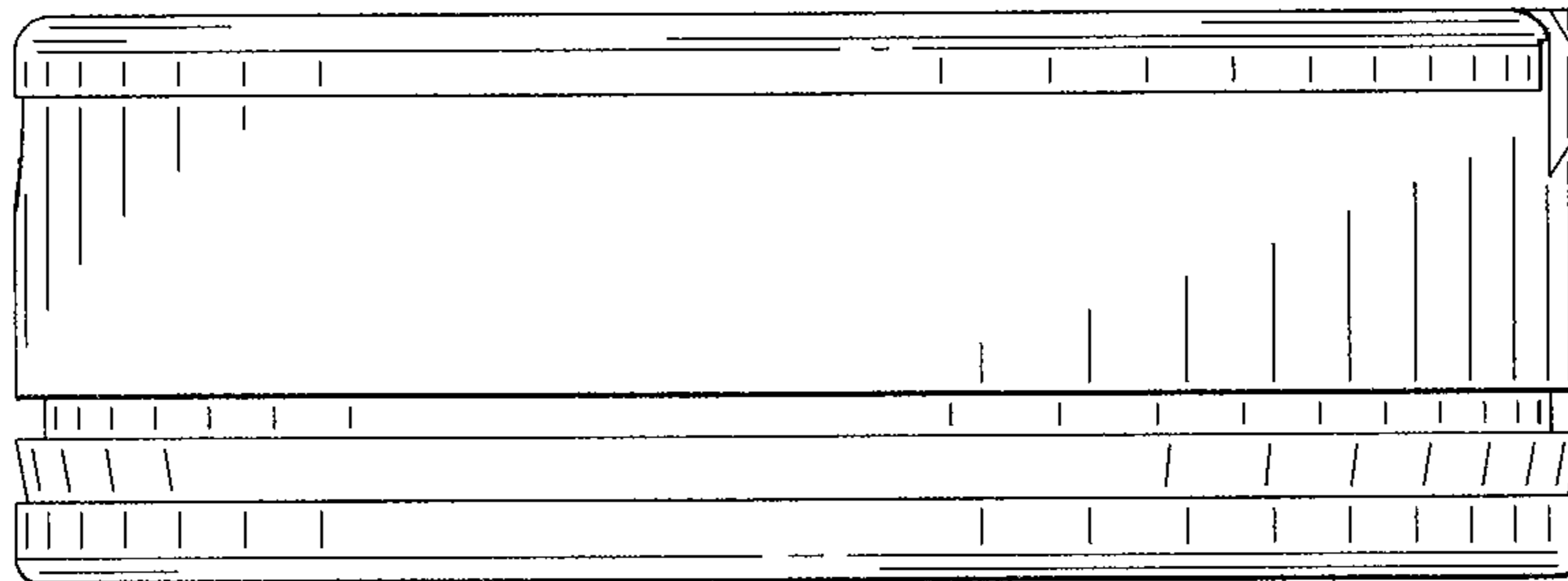


FIG. 4

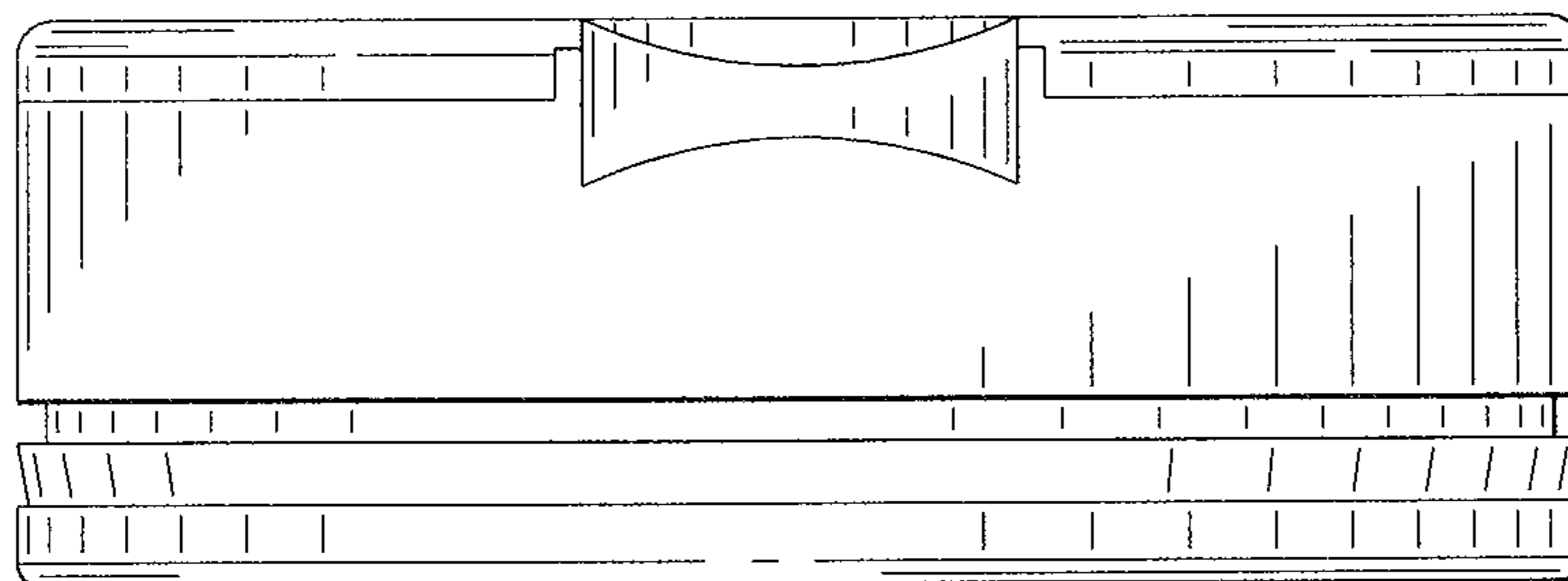


FIG. 5

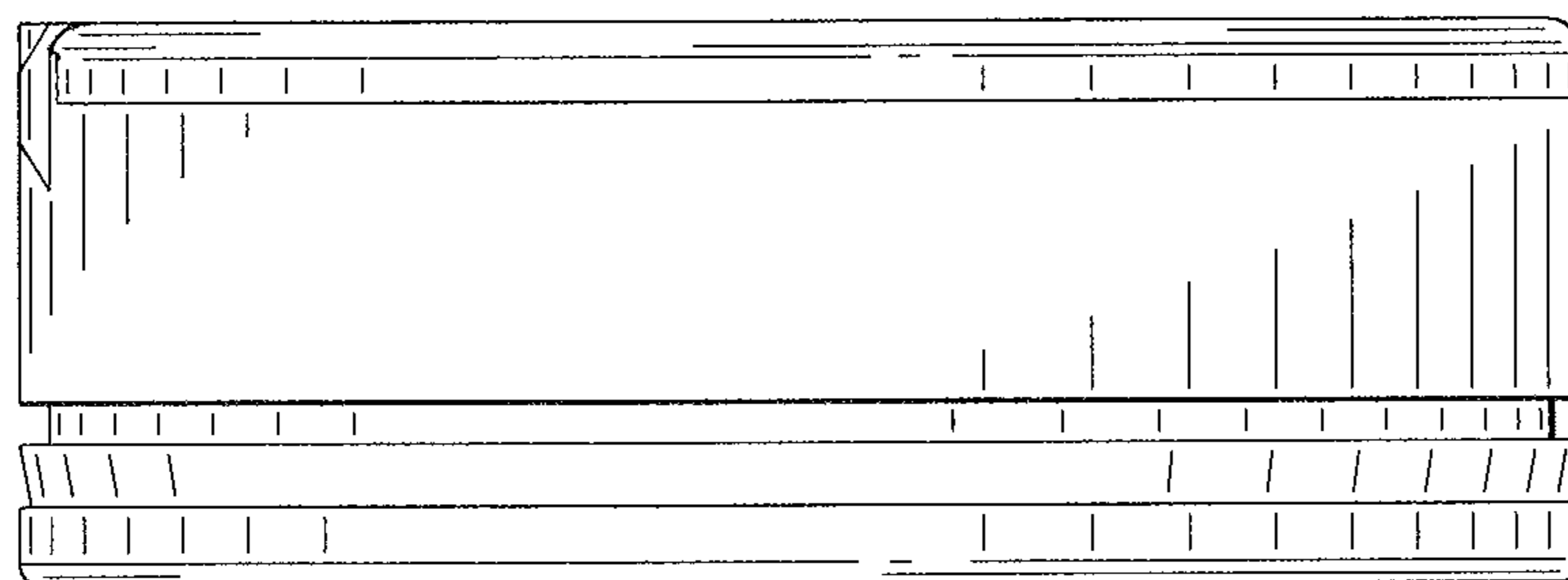


FIG. 6

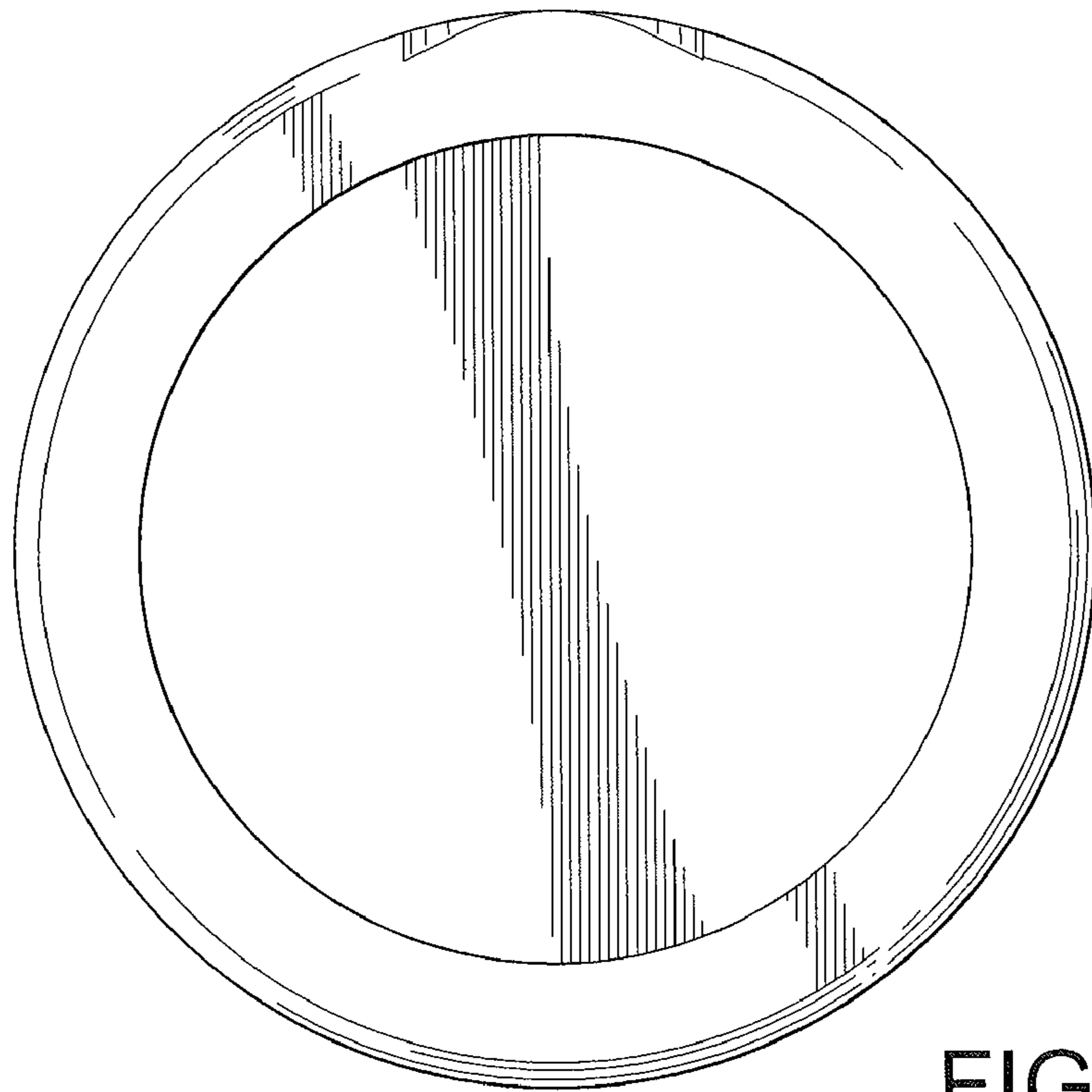


FIG. 7

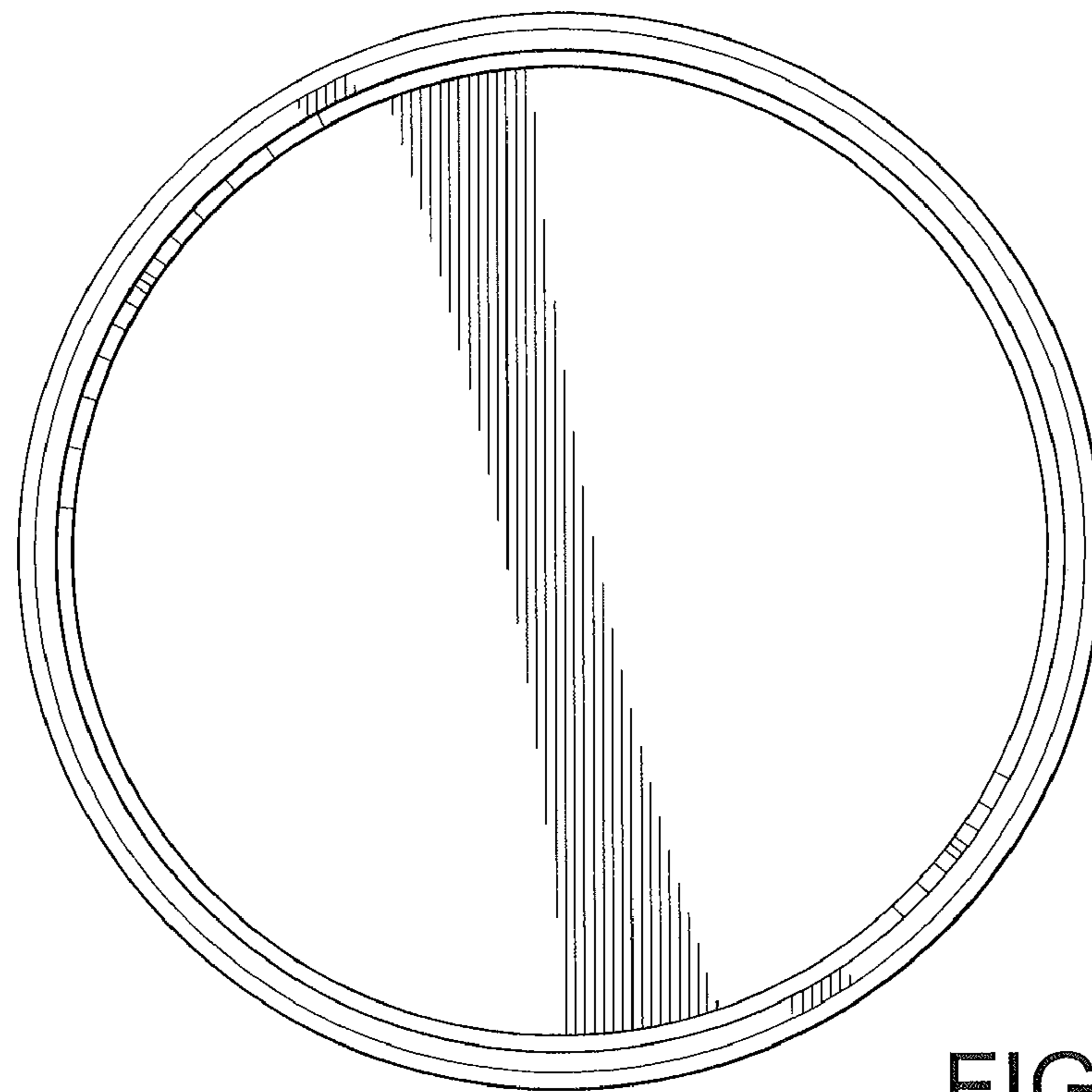


FIG. 8

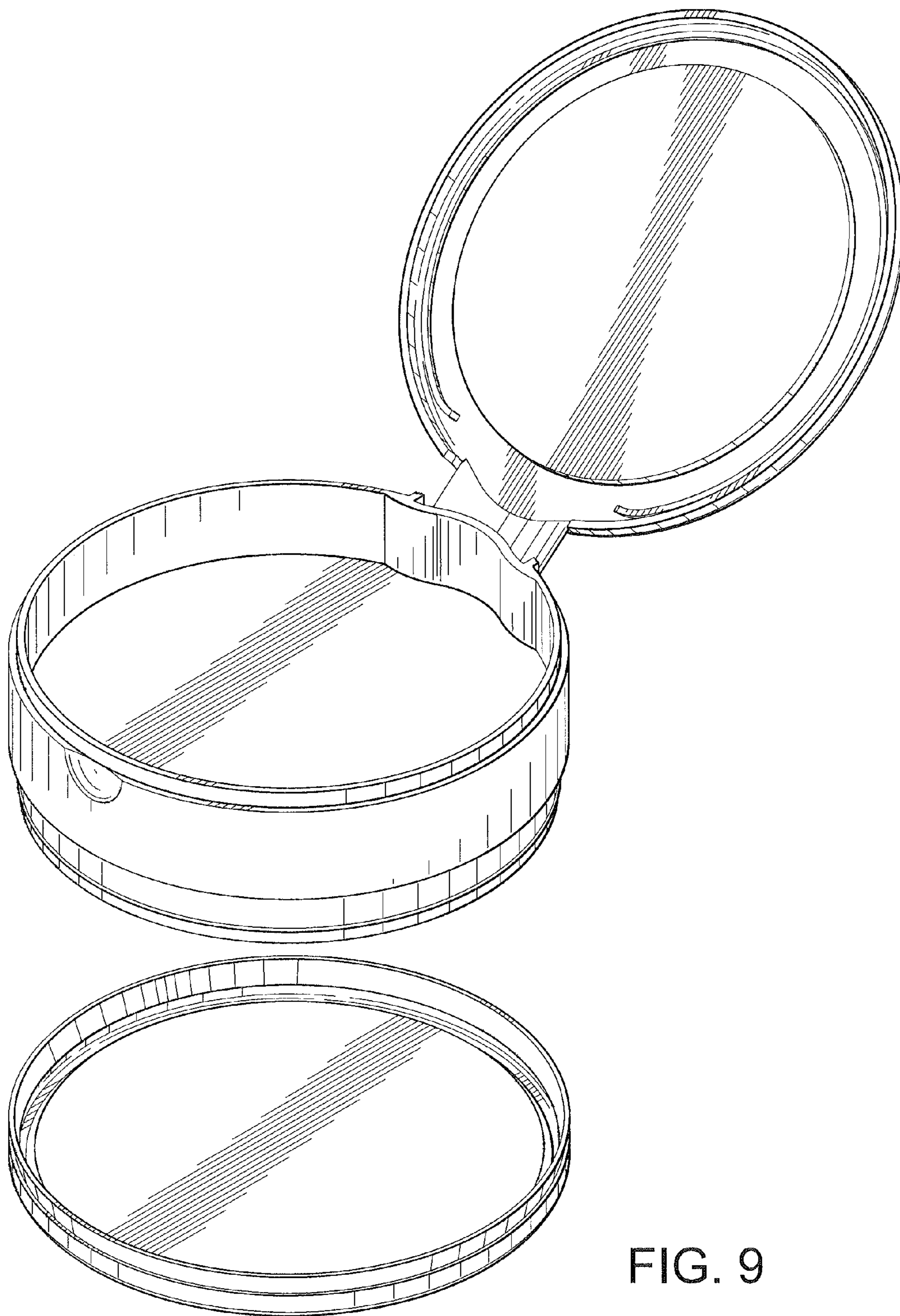


FIG. 9