



US00D664839S

(12) **United States Design Patent**
Bonhag et al.

(10) **Patent No.:** **US D664,839 S**

(45) **Date of Patent:** **** Aug. 7, 2012**

(54) **CLAMP**

(75) Inventors: **Ehrenfried Bonhag**, Schwabach (DE);
Karl-Heinz Haunstetter, Fuerth (DE)

(73) Assignee: **Rehau AG + Co.**, Rehau (DE)

(**) Term: **14 Years**

(21) Appl. No.: **29/360,393**

(22) Filed: **Apr. 26, 2010**

(30) **Foreign Application Priority Data**

Oct. 26, 2009 (EM) 00 117 3090

(51) **LOC (9) Cl.** **08-08**

(52) **U.S. Cl.** **D8/396**

(58) **Field of Classification Search** D8/396,
D8/371, 376, 382; 24/16 R, 379; 248/49,
248/62, 74.1-74.4, 73; 285/256; D23/262,
D23/265

See application file for complete search history.

(56) **References Cited**

U.S. PATENT DOCUMENTS

232,432	A *	9/1880	Allison	285/333
625,155	A *	5/1899	Dresser	277/607
D35,028	S *	9/1901	Ricker	D8/396
909,131	A *	1/1909	Antic	285/148.14
2,701,149	A *	2/1955	Kreidel et al.	285/148.6
D207,603	S *	5/1967	Blakely	D8/396
3,438,658	A *	4/1969	Stevens	285/404
D285,171	S *	8/1986	Russell	D8/396
D312,498	S *	11/1990	Ebert	D23/265
D344,672	S *	3/1994	Current	D8/373
D360,128	S *	7/1995	Huffine	D8/396
5,430,252	A *	7/1995	Petersen	174/665
5,549,408	A *	8/1996	Lo	403/218
D383,053	S *	9/1997	Schrader et al.	D8/382

D383,378	S *	9/1997	Schrader et al.	D8/382
D414,405	S *	9/1999	Tompkins	D8/396
D438,781	S *	3/2001	Leach	D8/394
D439,637	S *	3/2001	Davies	D23/262
D443,815	S *	6/2001	Adriaenssens	D8/396
D480,953	S *	10/2003	Lee et al.	D8/399
D516,417	S *	3/2006	Gimpel et al.	D8/396
D546,750	S *	7/2007	Kroeker	D12/223
D575,348	S *	8/2008	Tanaka	D20/10
D575,827	S *	8/2008	Tanaka	D20/10
D582,985	S *	12/2008	Tanaka	D20/10
D583,418	S *	12/2008	Tanaka	D20/10
D590,902	S *	4/2009	De La Cruz et al.	D21/756
D599,445	S *	9/2009	Price et al.	D23/262
D610,900	S *	3/2010	Piermayr et al.	D8/394
D612,020	S *	3/2010	Ward	D23/262
7,730,588	B1 *	6/2010	Bernier	16/422
2003/0192409	A1 *	10/2003	Wallace	81/121.1
2007/0033847	A1 *	2/2007	Tanaka	40/661.05
2007/0151295	A1 *	7/2007	Picardi	63/15.4
2007/0257488	A1 *	11/2007	Jimenez	285/404
2007/0284037	A1 *	12/2007	Buytaert	156/294

* cited by examiner

Primary Examiner — John Windmuller

(74) *Attorney, Agent, or Firm* — Da Vinci Partners LLC

(57) **CLAIM**

The ornamental design for the clamp, as shown and described.

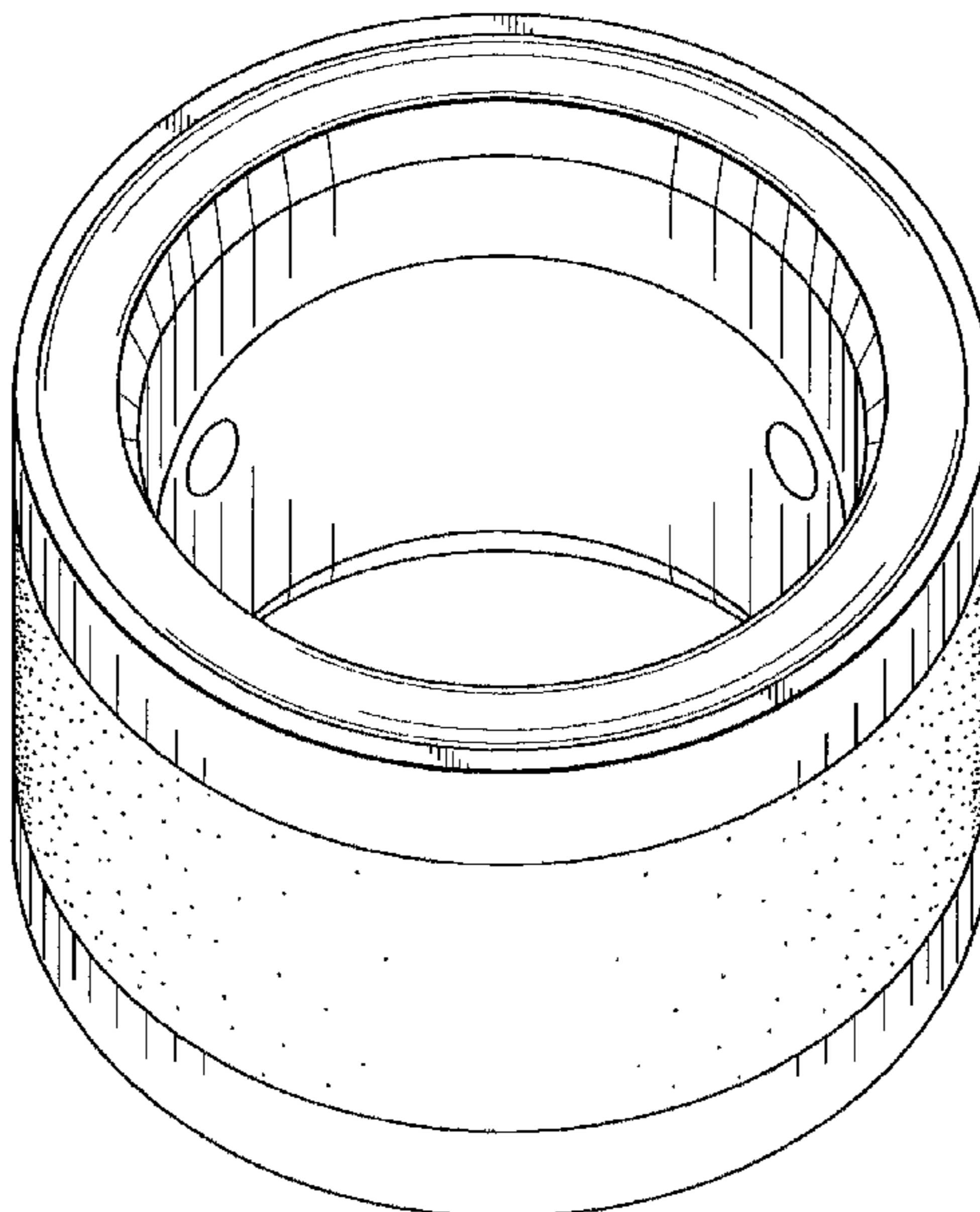
DESCRIPTION

FIG. 1 is a perspective view of the clamp of our new design. FIG. 2 is a side view of the clamp of our new design; and, FIG. 3 is an end view of the clamp of our new design.

The color black is claimed as a feature of the mark. The entire clamp is black.

The unshaded areas within the two smallest ovals in FIG. 1 form no part of the claimed design.

1 Claim, 3 Drawing Sheets



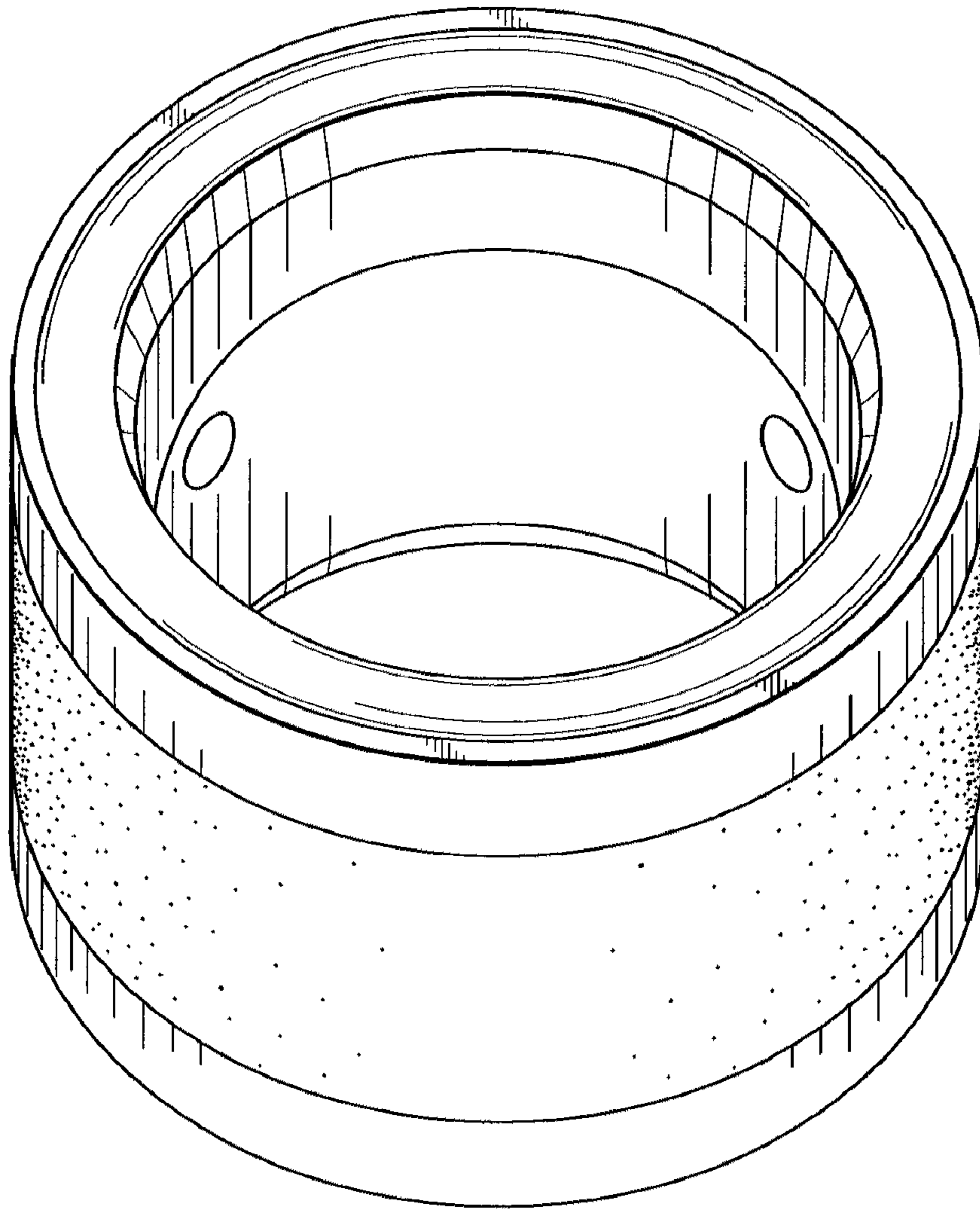


FIG. 1

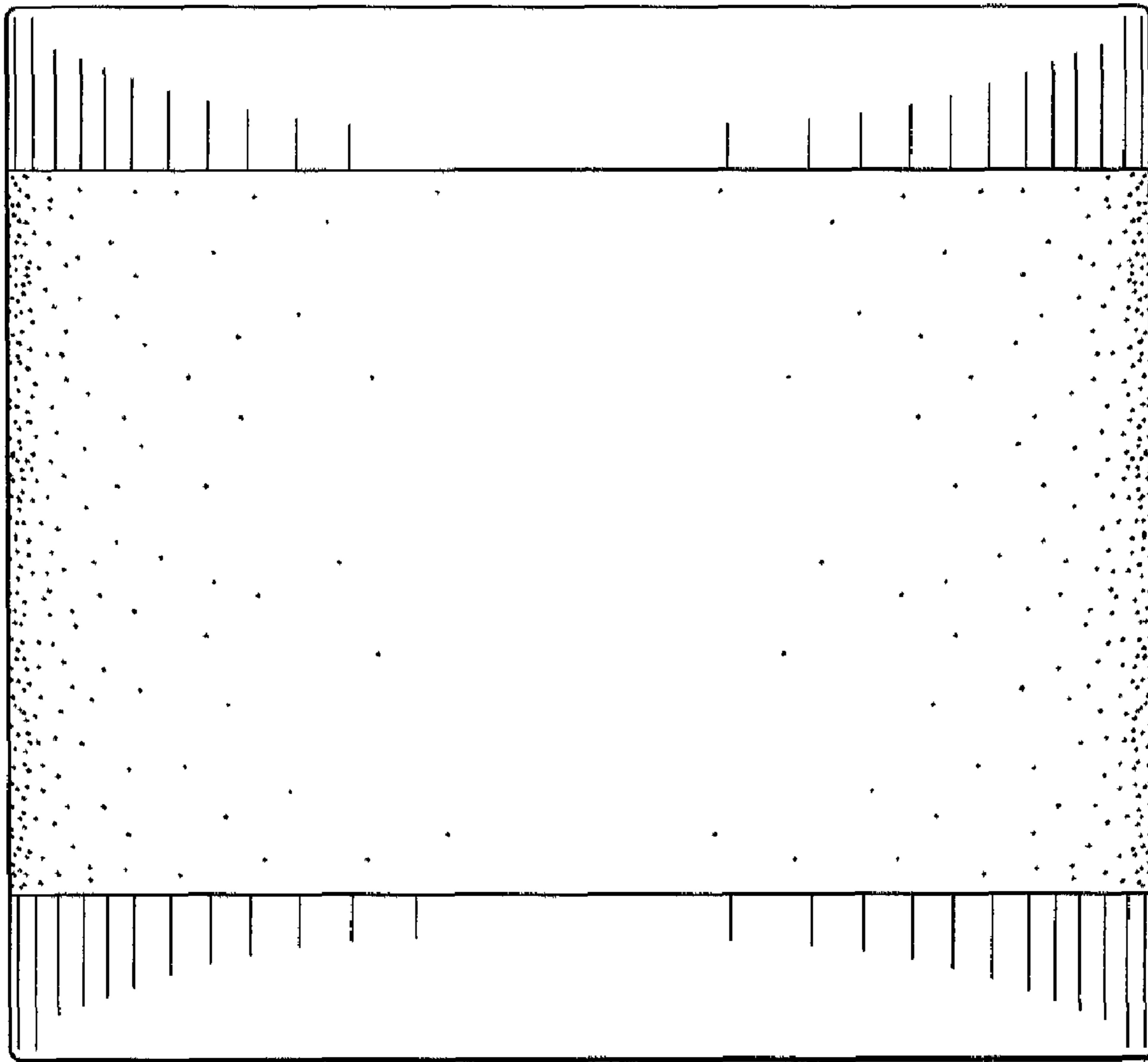


FIG. 2

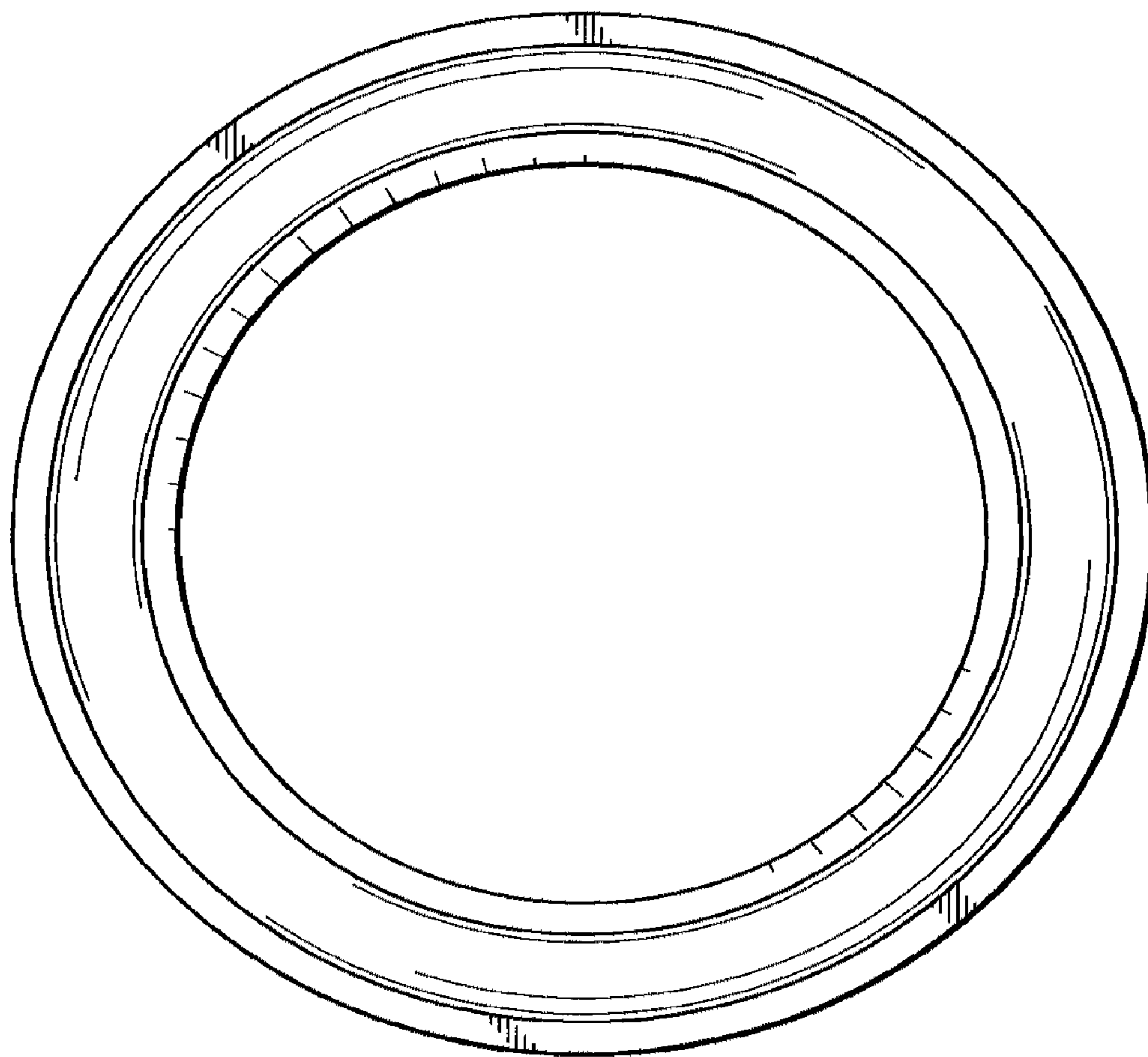


FIG. 3