



US00D664838S

(12) **United States Design Patent**
Parks

(10) **Patent No.:** **US D664,838 S**

(45) **Date of Patent:** **** Aug. 7, 2012**

(54) **TUBING CLIP**

(75) **Inventor:** **William Parks**, Lawrenceville, GA (US)

(73) **Assignee:** **Endochoice, Inc.**, Alpharetta, GA (US)

(**) **Term:** **14 Years**

(21) **Appl. No.:** **29/411,535**

(22) **Filed:** **Jan. 23, 2012**

(51) **LOC (9) Cl.** **08-08**

(52) **U.S. Cl.** **D8/395**

(58) **Field of Classification Search** D8/394-396,
D8/72; D19/56, 65; D32/60-64; D28/40;
24/67.3

See application file for complete search history.

D447,564	S *	9/2001	Stewart, Jr.	D24/143
D467,400	S *	12/2002	Barre et al.	D32/61
6,814,742	B2	11/2004	Kimura et al.		
6,923,818	B2	8/2005	Muramatsu et al.		
6,991,634	B2	1/2006	Sugiyama et al.		
D518,367	S *	4/2006	Hay	D8/395
7,223,271	B2	5/2007	Muramatsu et al.		
D549,417	S *	8/2007	Siegel et al.	D32/61
D599,520	S *	9/2009	Boesi et al.	D32/61
D611,334	S *	3/2010	Lambert	D8/395
7,727,247	B2	6/2010	Kimura et al.		
2002/0020411	A1 *	2/2002	Resnick	128/201.18

* cited by examiner

Primary Examiner — John Windmuller

(74) *Attorney, Agent, or Firm* — Novel IP

(57) **CLAIM**

The ornamental design for a tubing clip, as shown and described.

(56) **References Cited**

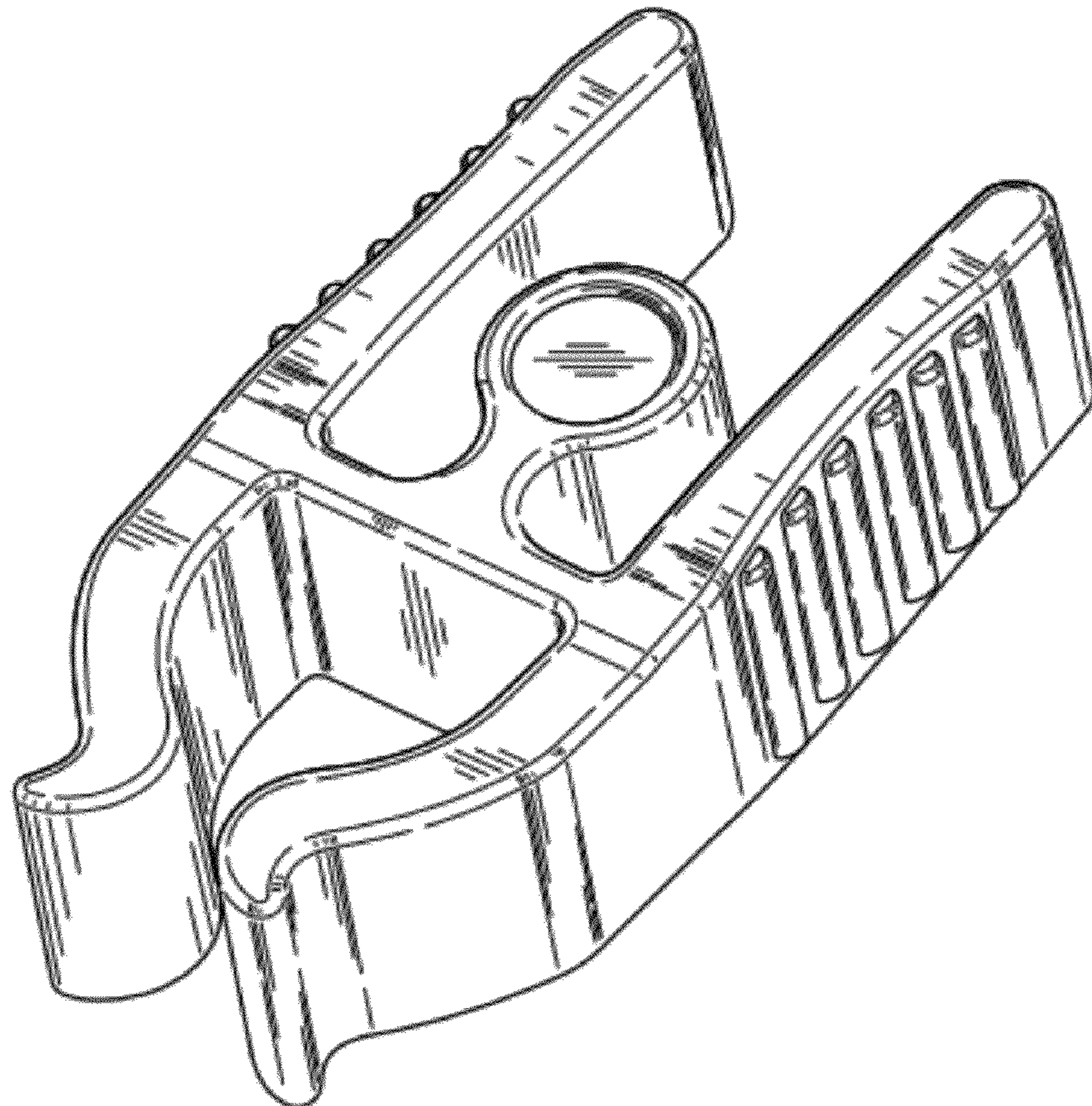
U.S. PATENT DOCUMENTS

3,616,497	A *	11/1971	Esposito, Jr.	4/542
5,350,331	A *	9/1994	Glickman	446/126
D360,053	S *	7/1995	Wilborn et al.	D28/38
5,464,413	A *	11/1995	Siska et al.	606/151
D391,843	S *	3/1998	Glickman et al.	D8/382
5,766,184	A	6/1998	Matsuno et al.		
5,766,189	A	6/1998	Matsuno		

DESCRIPTION

FIG. 1 is a perspective view of a tubing clip;
FIG. 2 is a side elevation view thereof;
FIG. 3 is a side elevation view thereof;
FIG. 4 is a side elevation view thereof; and,
FIG. 5 is a plan view thereof.

1 Claim, 2 Drawing Sheets



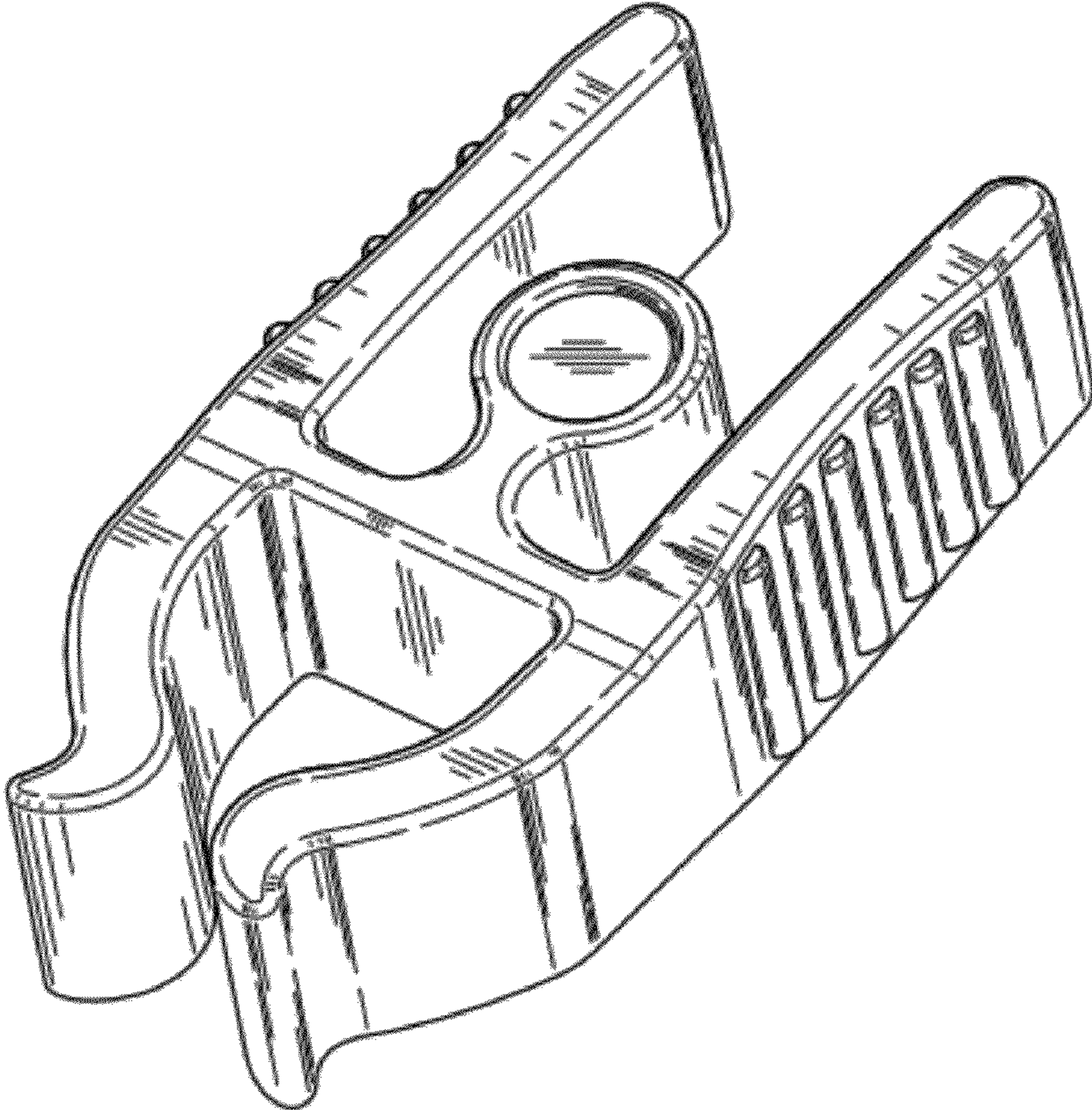


FIG. 1

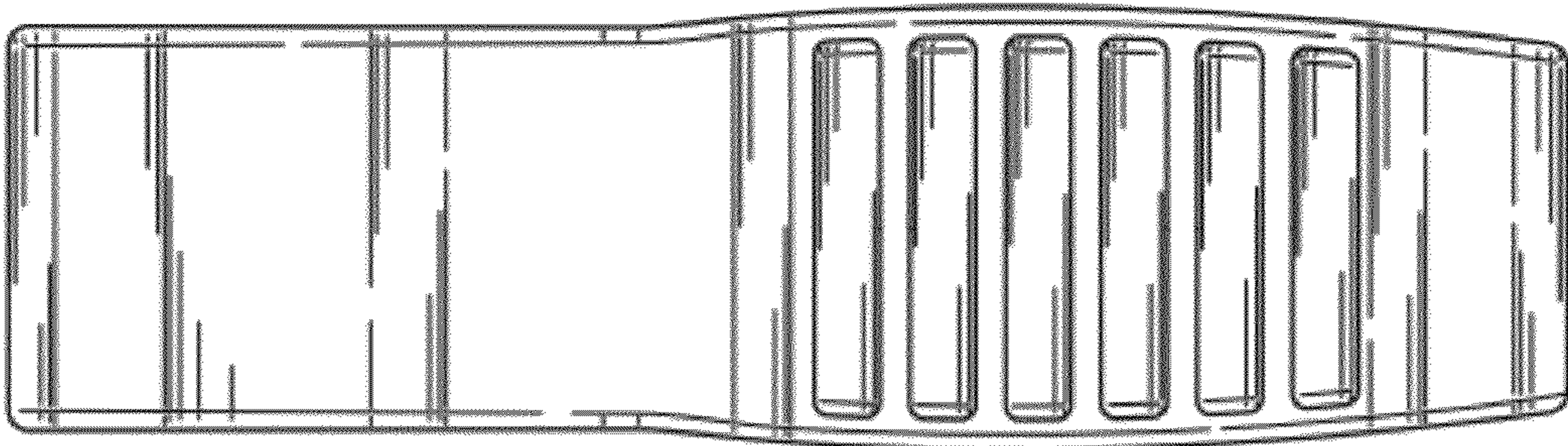


FIG. 2

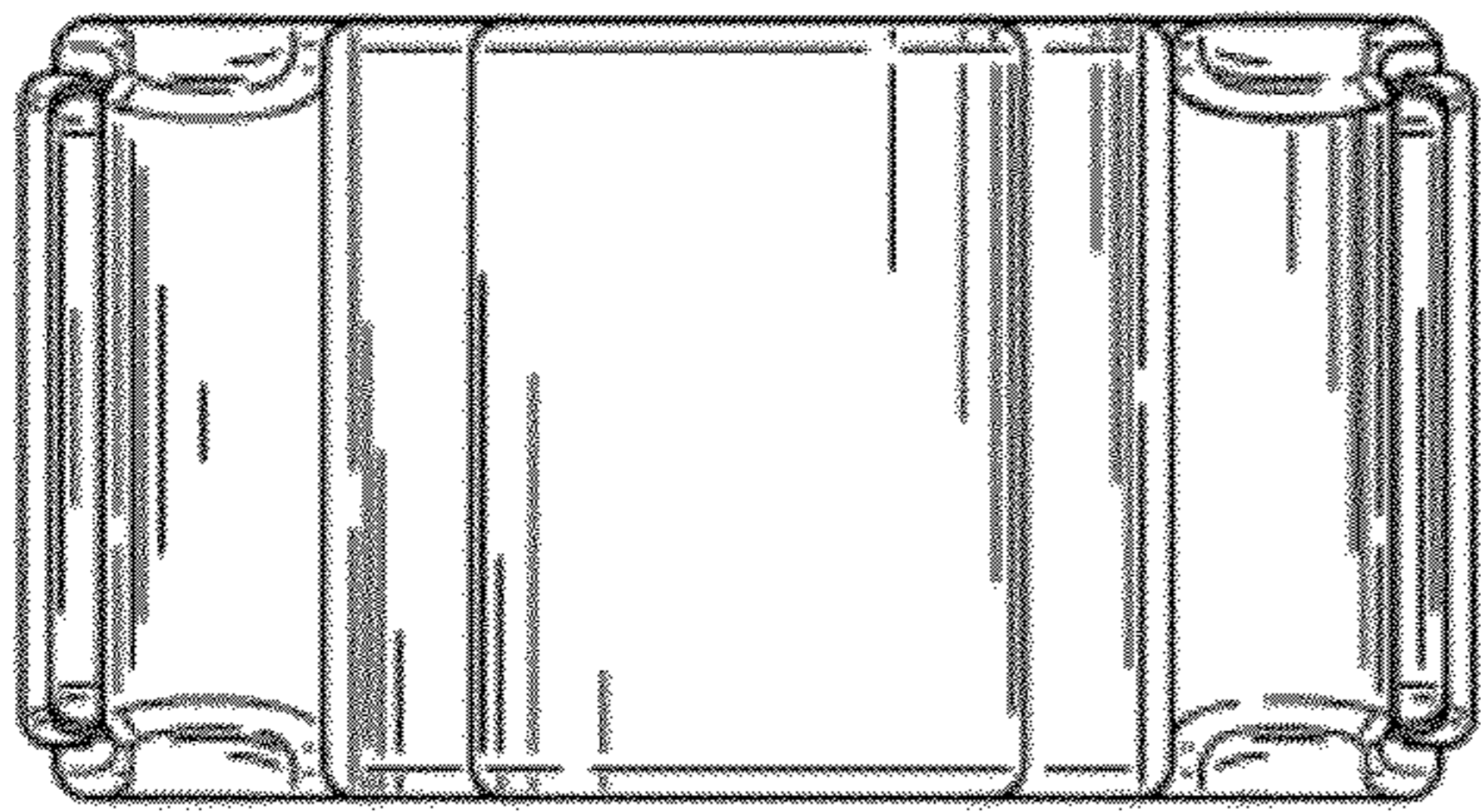


FIG. 3

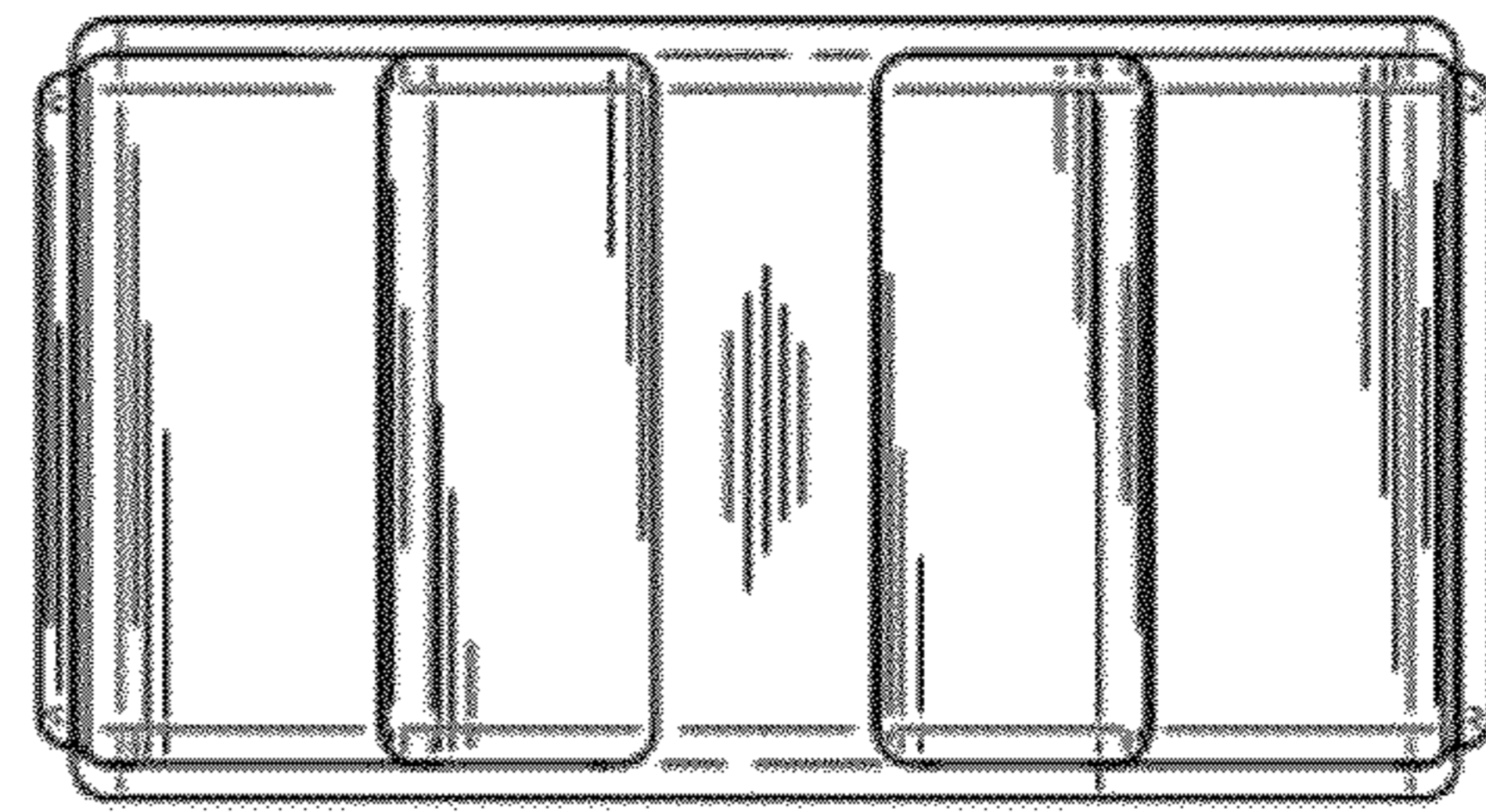


FIG. 4

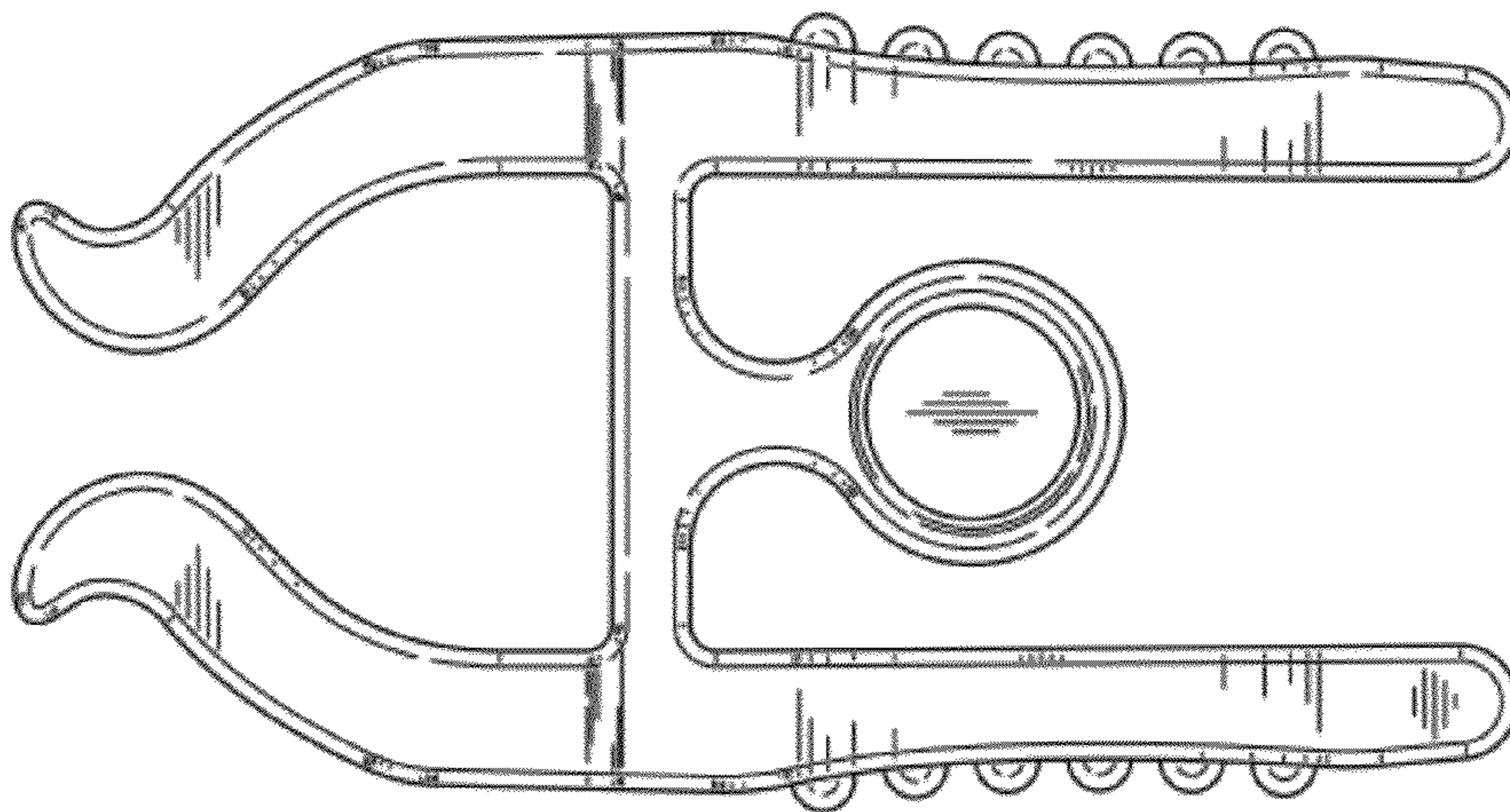


FIG. 5