



US00D664837S

(12) **United States Design Patent**
Harper

(10) **Patent No.:** **US D664,837 S**

(45) **Date of Patent:** **** Aug. 7, 2012**

(54) **SHELF SUPPORT BRACKET**

(76) Inventor: **Brent Harper**, Blackfoot, ID (US)

(**) Term: **14 Years**

(21) Appl. No.: **29/384,805**

(22) Filed: **Feb. 3, 2011**

(51) **LOC (9) Cl.** **08-08**

(52) **U.S. Cl.** **D8/382; D8/349**

(58) **Field of Classification Search** D8/382,
D8/349, 354, 380, 381; D6/491; D25/4;
403/217, 231; 211/182, 183; 248/466, 235
See application file for complete search history.

(56) **References Cited**

U.S. PATENT DOCUMENTS

4,805,860 A 2/1989 Holmstrom
(Continued)

OTHER PUBLICATIONS

U.S. Appl. No. 13/365,174 Harper.

Primary Examiner — Sheryl Lane

(74) *Attorney, Agent, or Firm* — Bateman IP

(57) **CLAIM**

The ornamental design for a shelf support bracket, as shown and described.

DESCRIPTION

FIG. 1 shows an environmental perspective view of a shelf support bracket in accordance with the design of the present invention mounted on a shelf;

FIG. 2 shows a close-up view of the shelf support bracket with the design of the present invention shown in FIG. 1;

FIG. 3 shows an alternate perspective view of the support shelf bracket of FIG. 1, turned on end;

FIG. 4 shows a top view of the shelf support bracket of FIG. 1;

FIG. 5 shows an end view of the shelf support bracket made in accordance with the design of the present invention shown in FIG. 1;

FIG. 6 shows a bottom view of the shelf support bracket of FIG. 1;

FIG. 7 shows an opposing end view of a shelf support bracket made in accordance with the design of the present invention from the view of FIG. 5;

FIG. 8 shows a right side view of the shelf support bracket of FIG. 1;

FIG. 9 shows a left side view of the shelf support bracket of FIG. 1;

FIG. 10 shows an alternate side perspective view of the shelf support bracket of FIG. 1 turned on end;

FIG. 11 shows a top perspective view of the shelf support bracket made in accordance with an alternate design of the present invention;

FIG. 12 shows a side perspective view of the shelf support bracket of FIG. 11 made in accordance with the design present invention;

FIG. 13 shows a top view of the shelf support bracket of FIG. 11 made in accordance with the design of the present invention;

FIG. 14 shows an end view of a shelf support bracket of FIG. 11 made in accordance with the alternate design of the present invention;

FIG. 15 shows a bottom view of a shelf support bracket of FIG. 11 made in accordance with the design of the present invention;

FIG. 16 shows an end view of a shelf support bracket of FIG. 11 made in accordance with the alternate design of the present invention from the opposing end as FIG. 14.

FIG. 17 shows a right side view of the shelf support bracket of FIG. 11;

FIG. 18 shows a left side view of the shelf support bracket of FIG. 11;

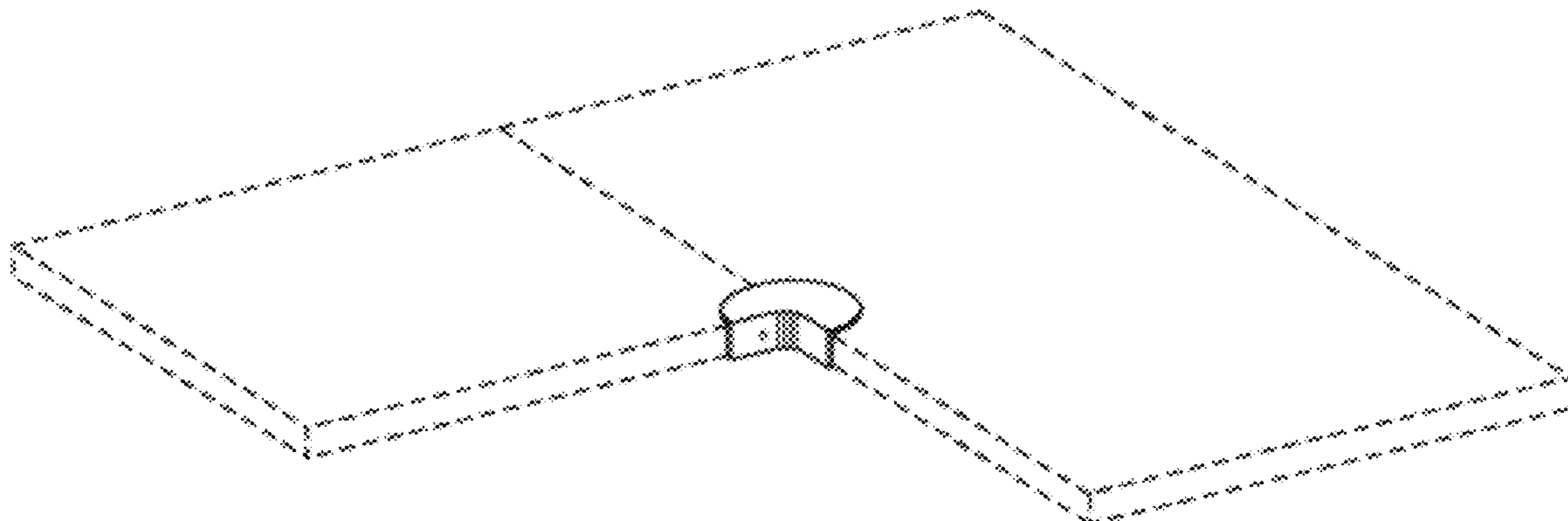
FIG. 19 shows a front perspective view of the shelf support bracket of FIG. 11;

FIG. 20 shows a side perspective view of the shelf support bracket of FIG. 11; and,

FIG. 21 shows an opposing side perspective view of the shelf support bracket of FIG. 11.

The broken line showing of the shelf is included for the purpose of illustrating environment and forms no part of the claimed design.

1 Claim, 12 Drawing Sheets



US D664,837 S

Page 2

U.S. PATENT DOCUMENTS

D373,070 S *	8/1996	Kriegstein	D8/354	D566,994 S *	4/2008	Marcus	D6/491
D482,954 S *	12/2003	Hoernig	D8/381	D623,500 S *	9/2010	Langner et al.	D8/349
D484,780 S *	1/2004	Barile, Sr.	D8/382	D639,142 S *	6/2011	Antonic	D8/354
D517,403 S *	3/2006	Chen	D8/382				

* cited by examiner

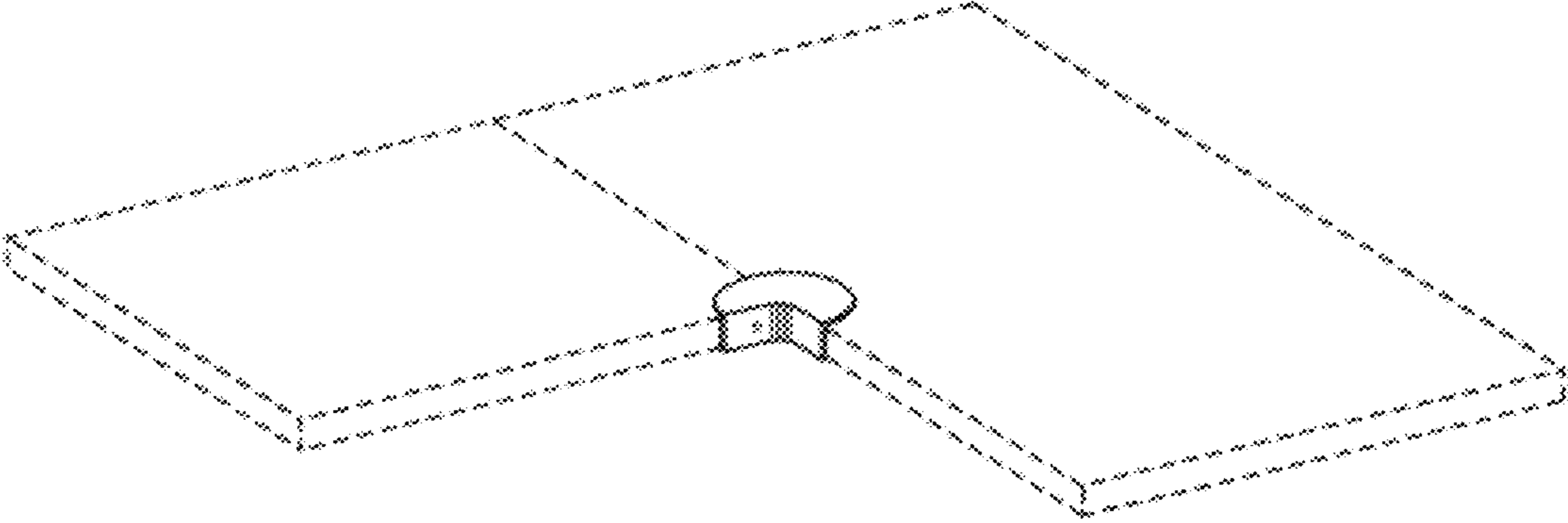


FIG. 1

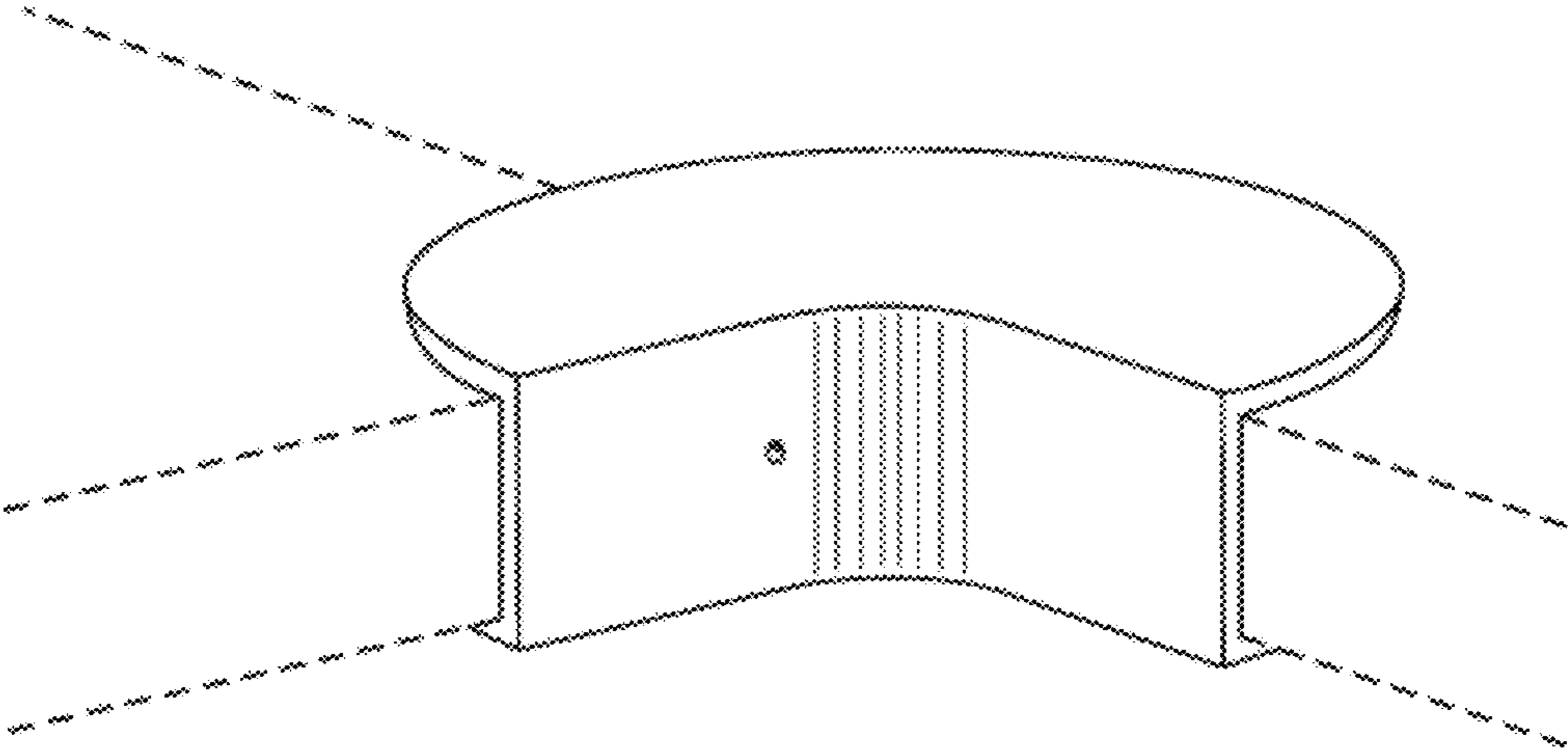


FIG. 2

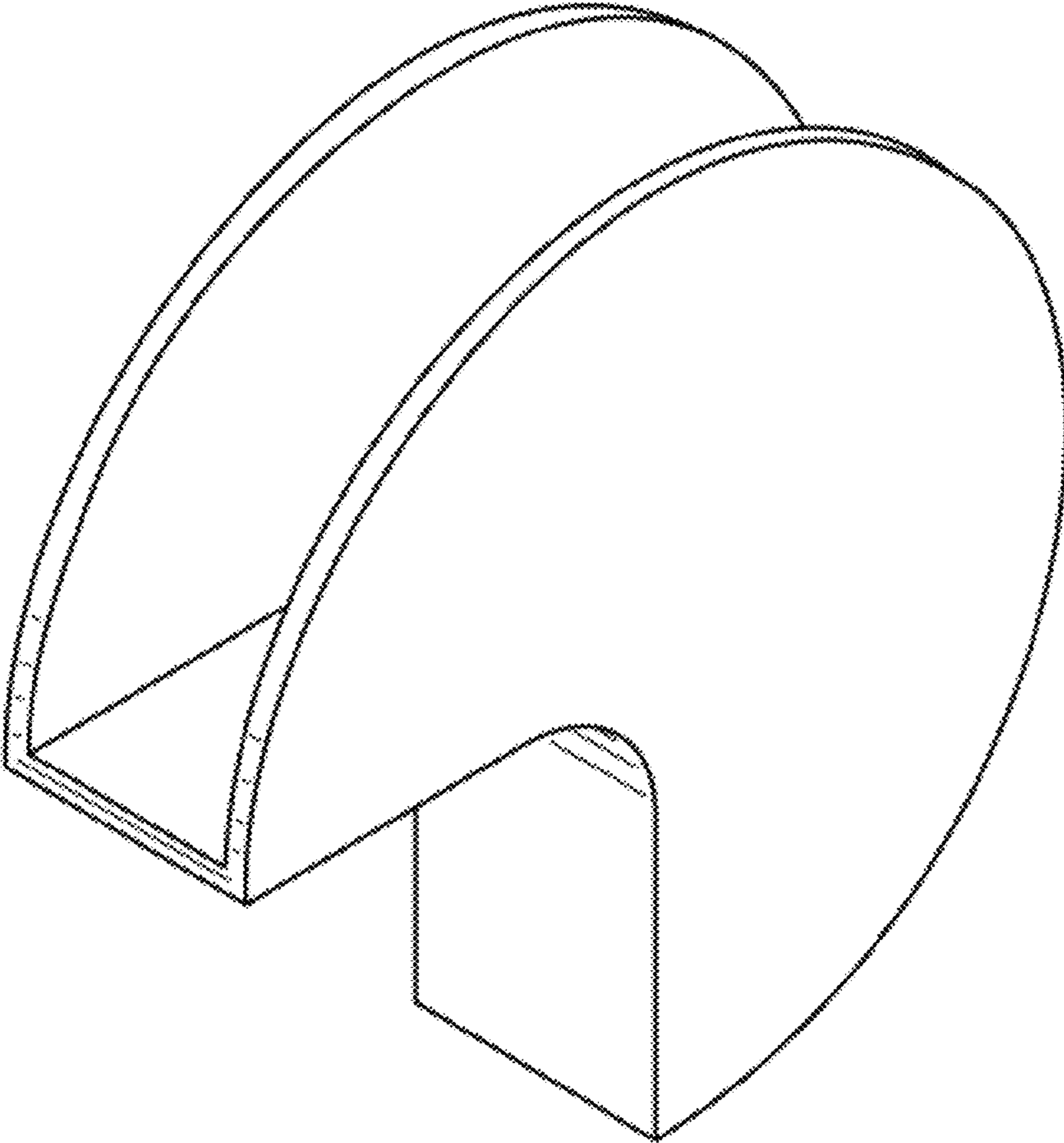


FIG. 3

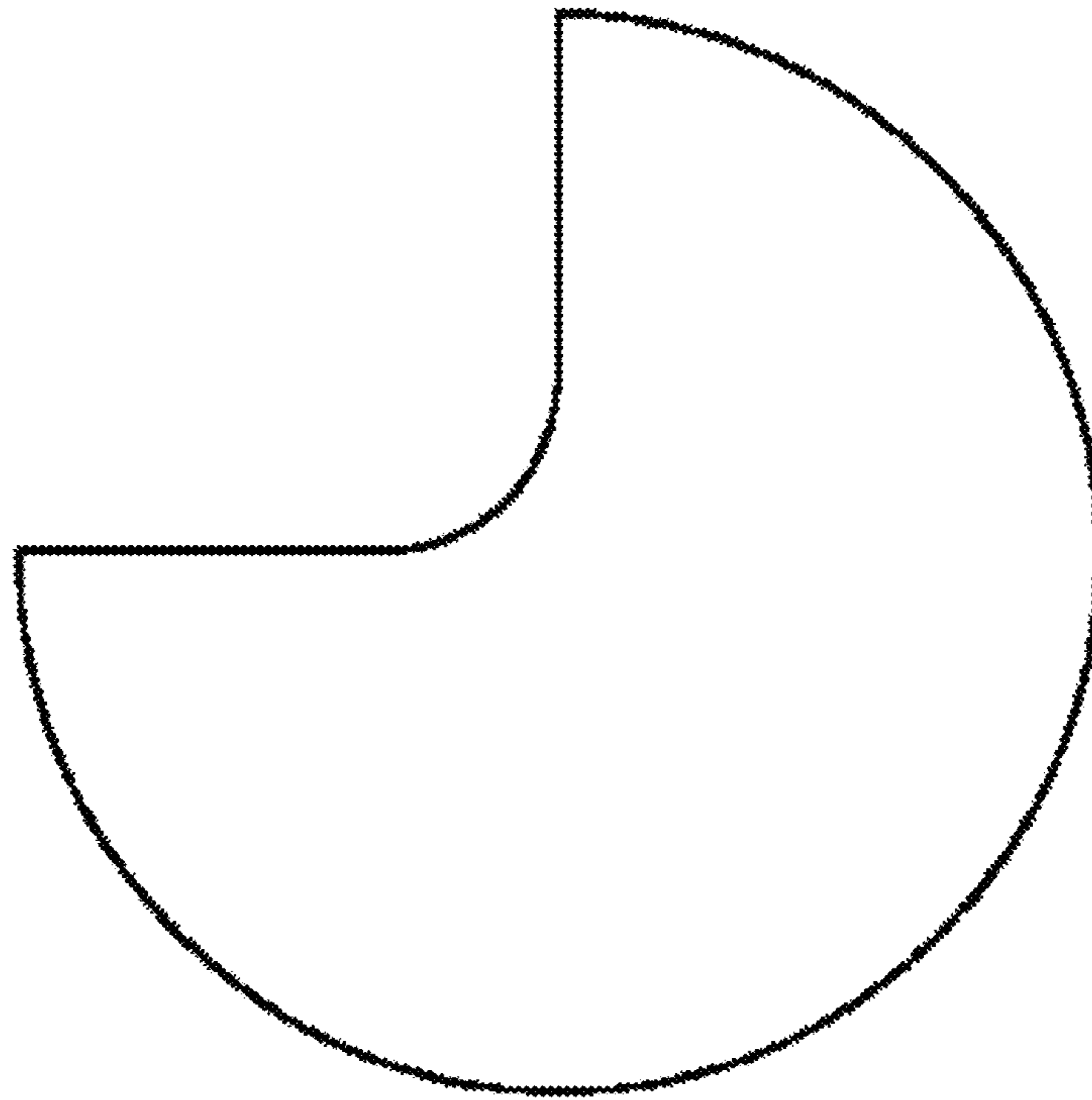


FIG. 4

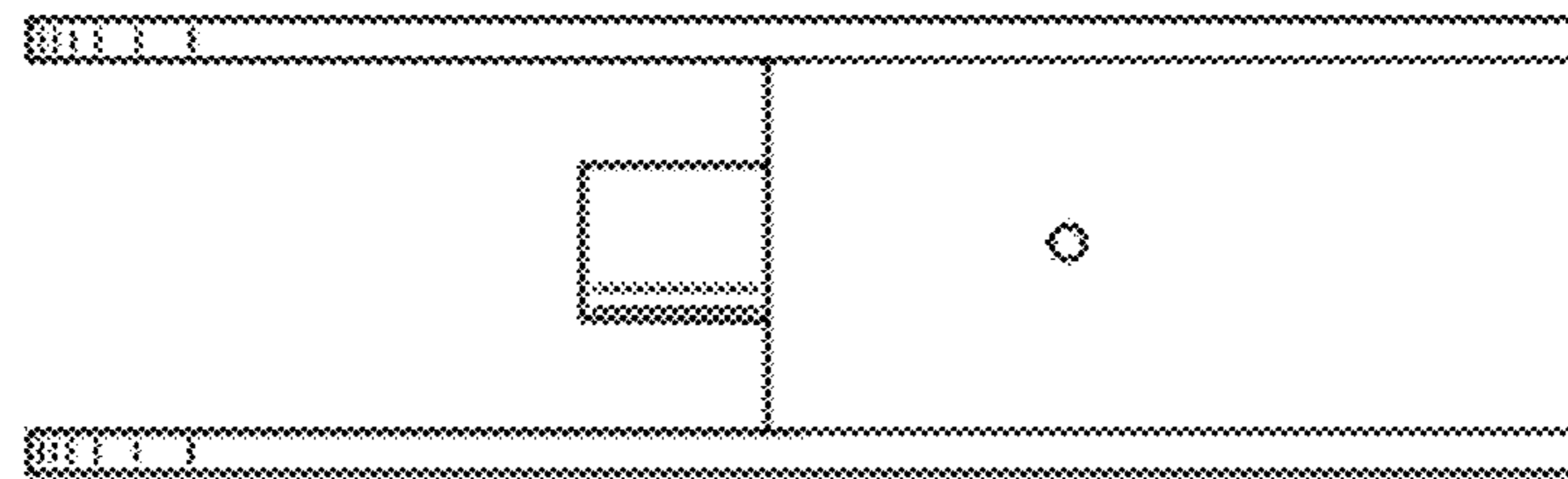


FIG. 5

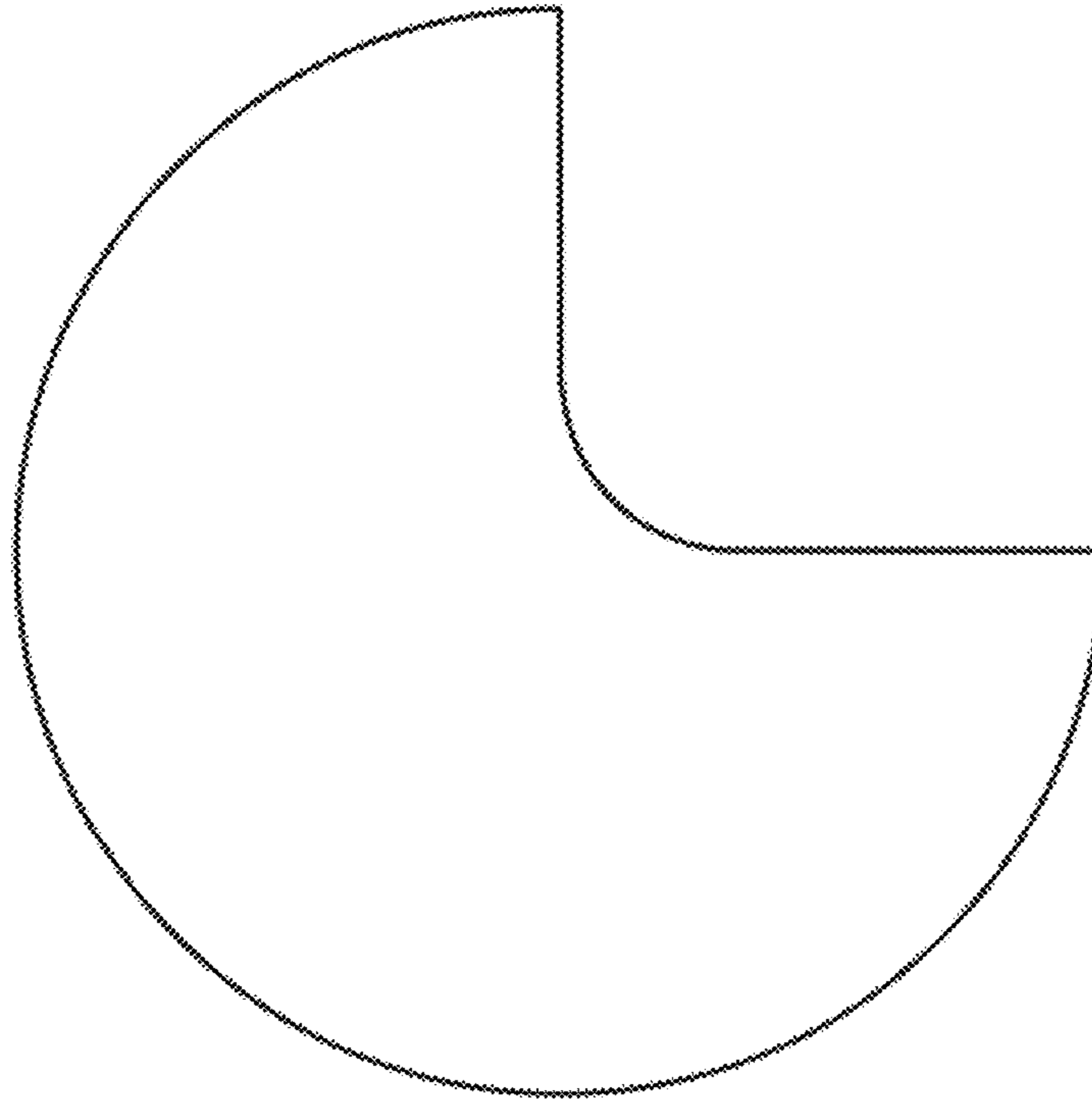


FIG. 6

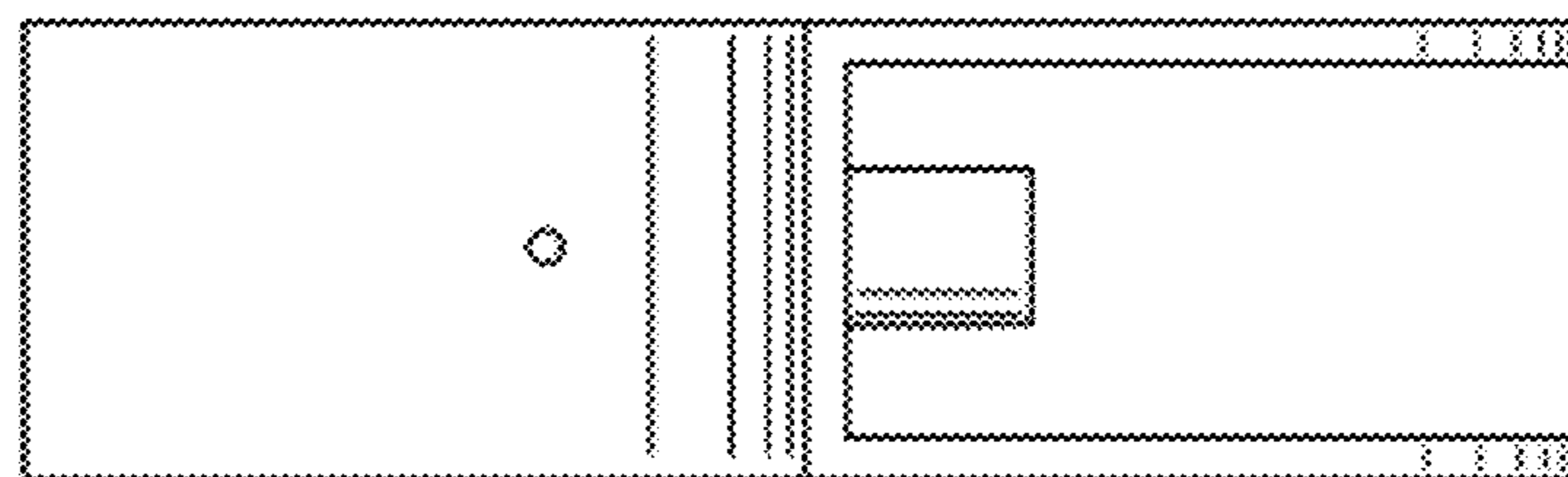


FIG. 7

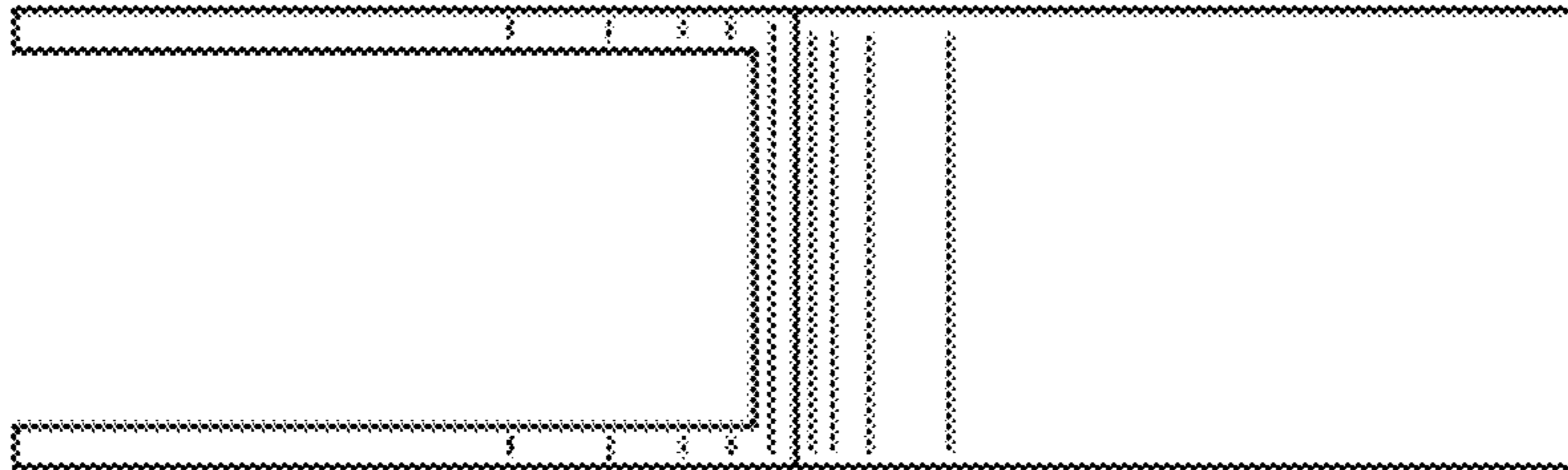


FIG. 8

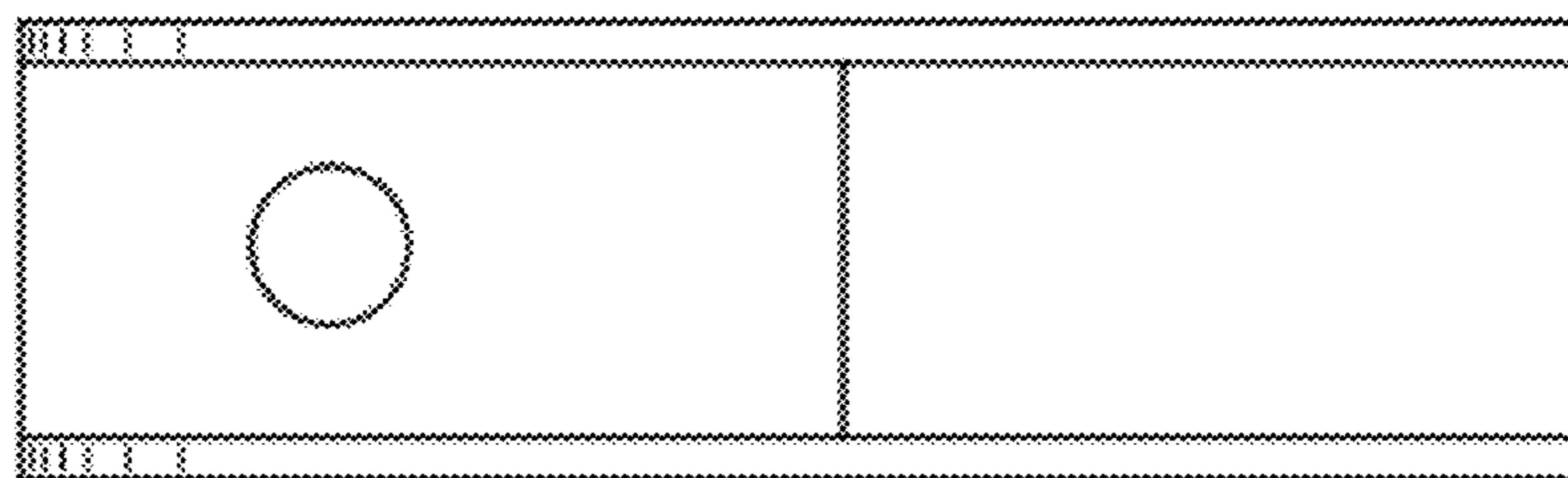


FIG. 9

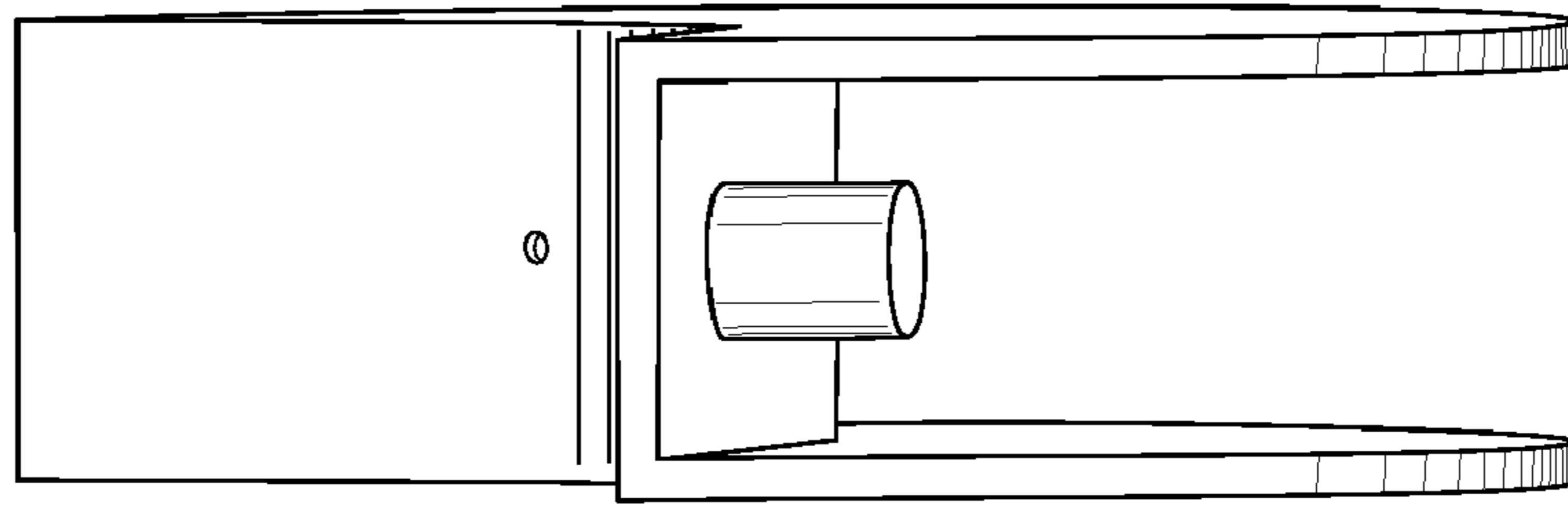


FIG. 10

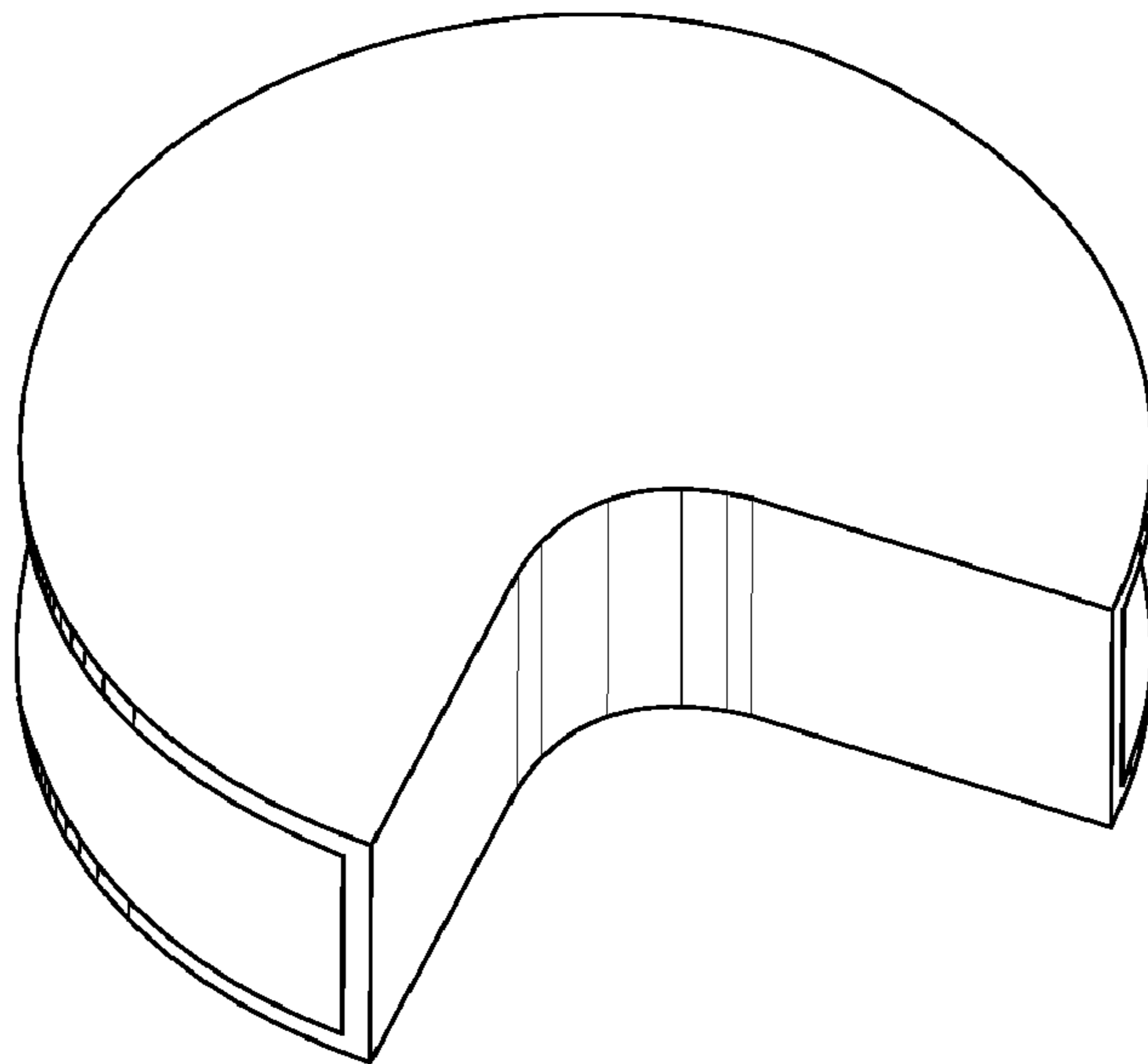


FIG. 11

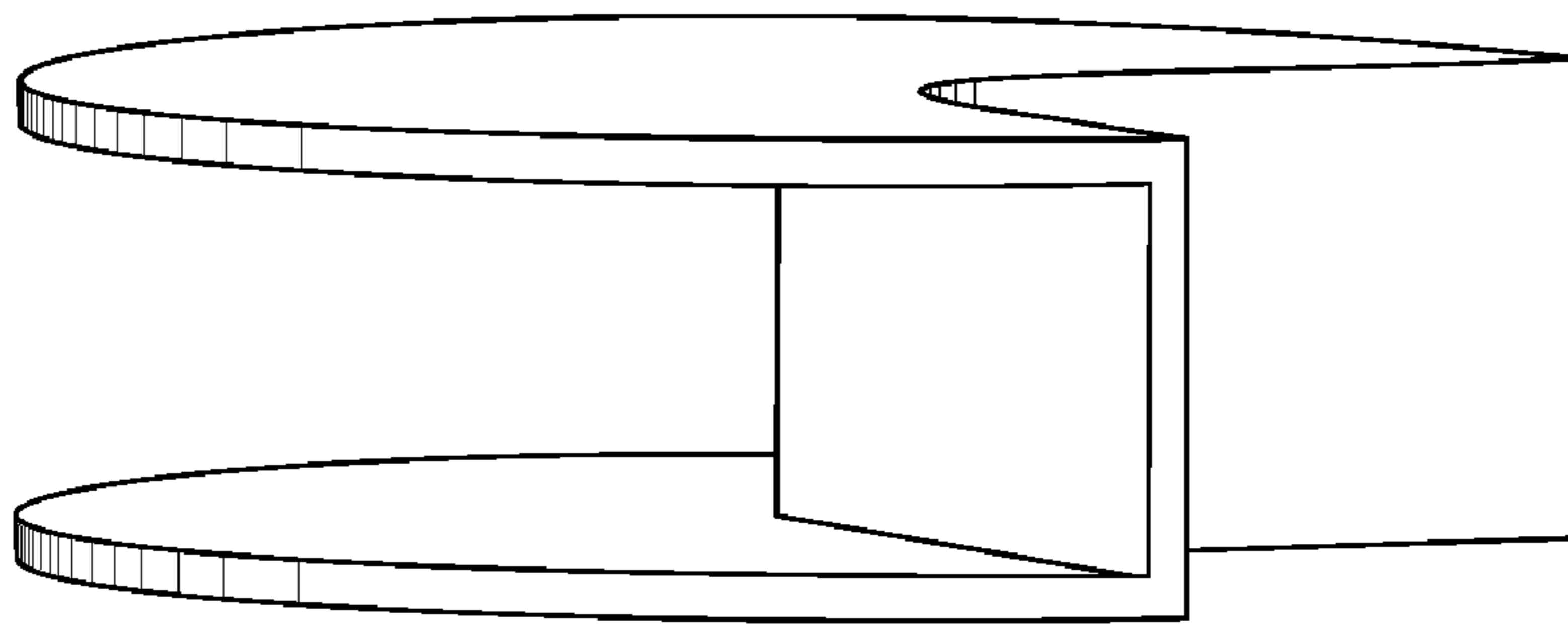


FIG. 12

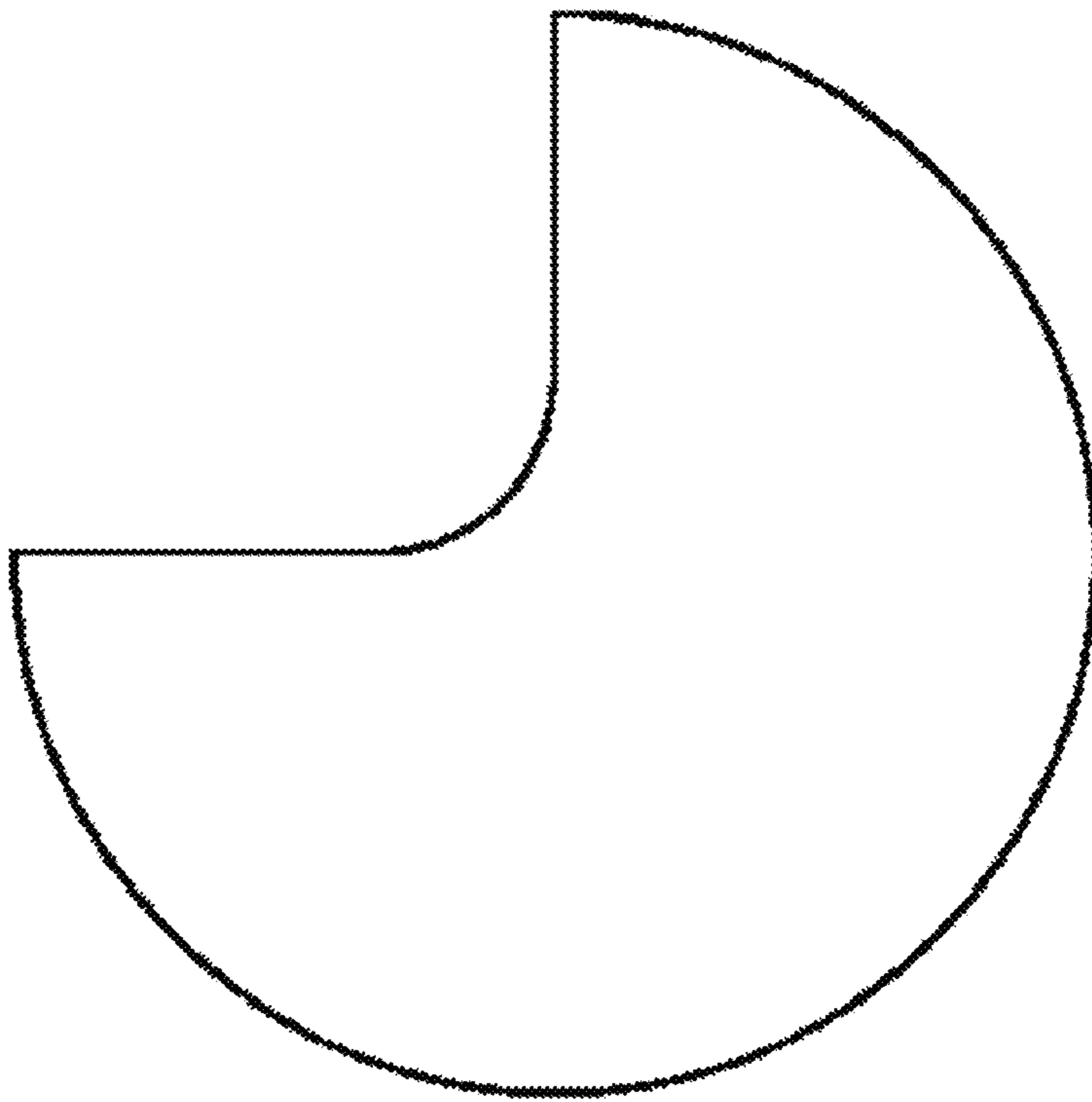


FIG. 13

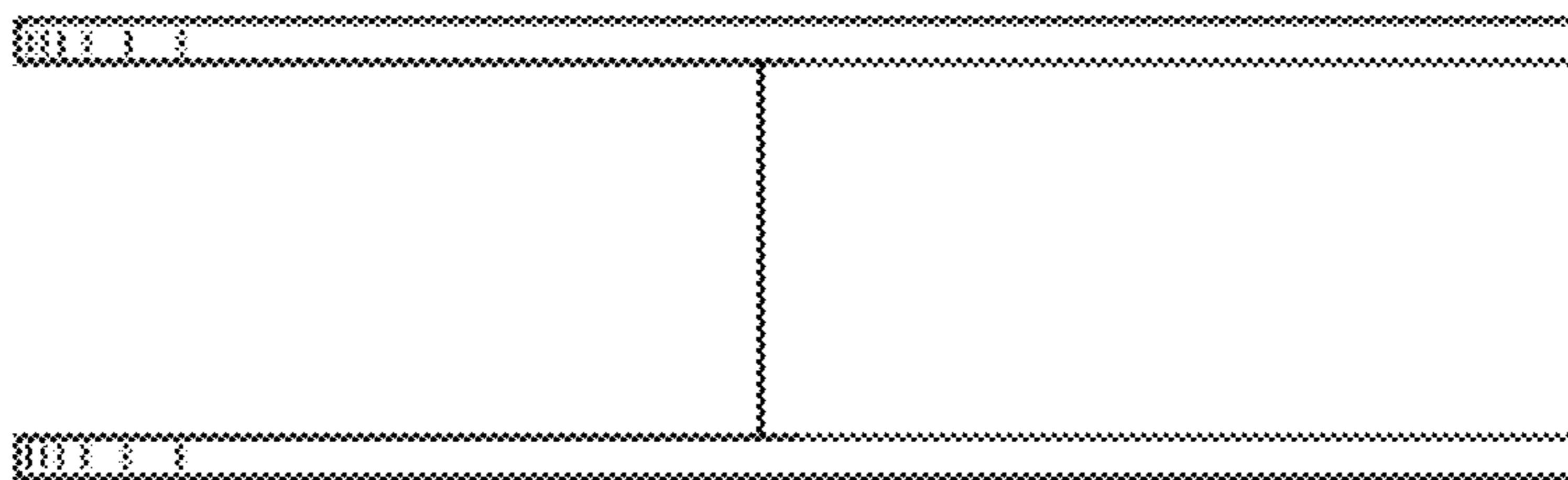


FIG. 14

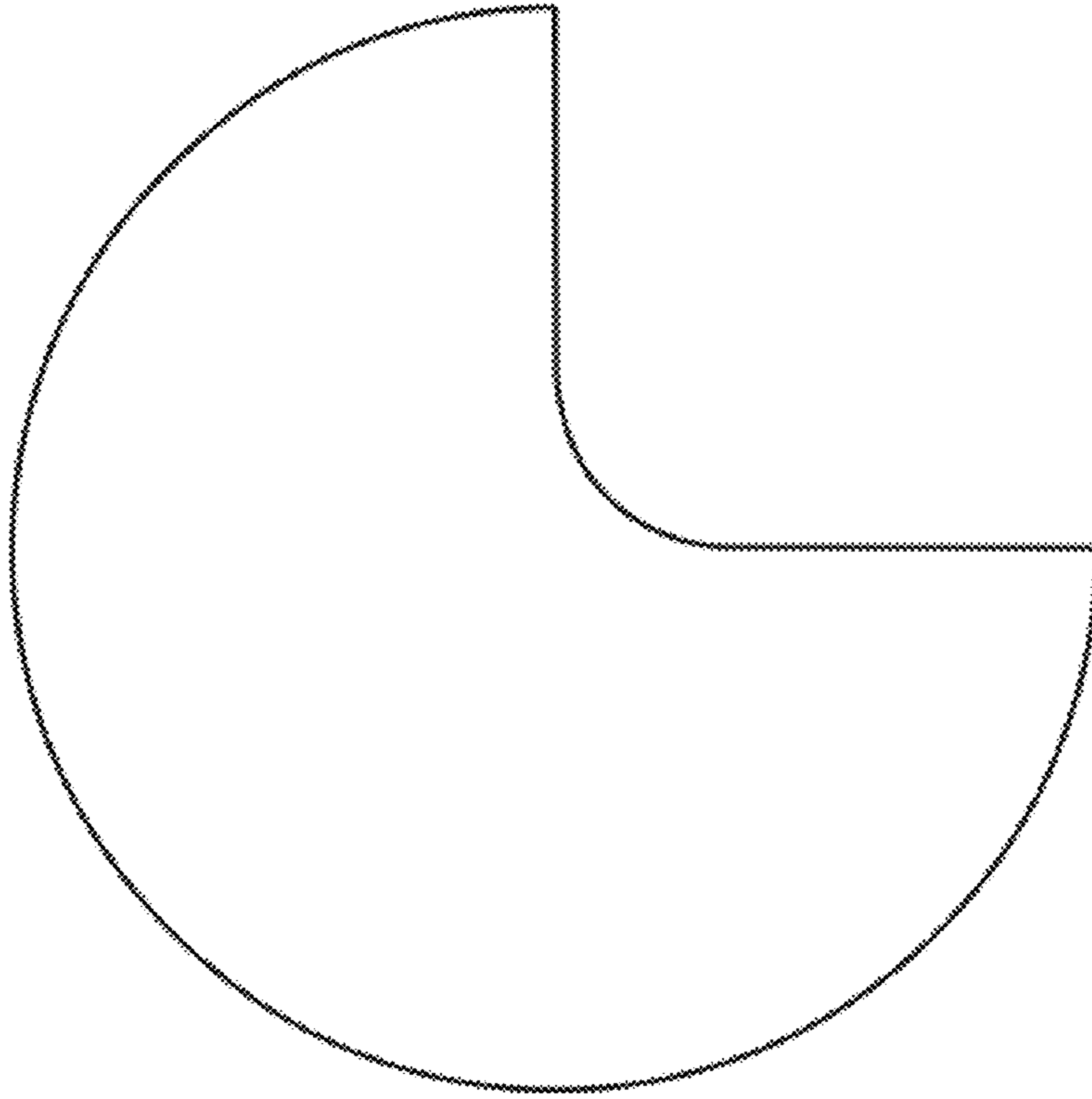


FIG. 15

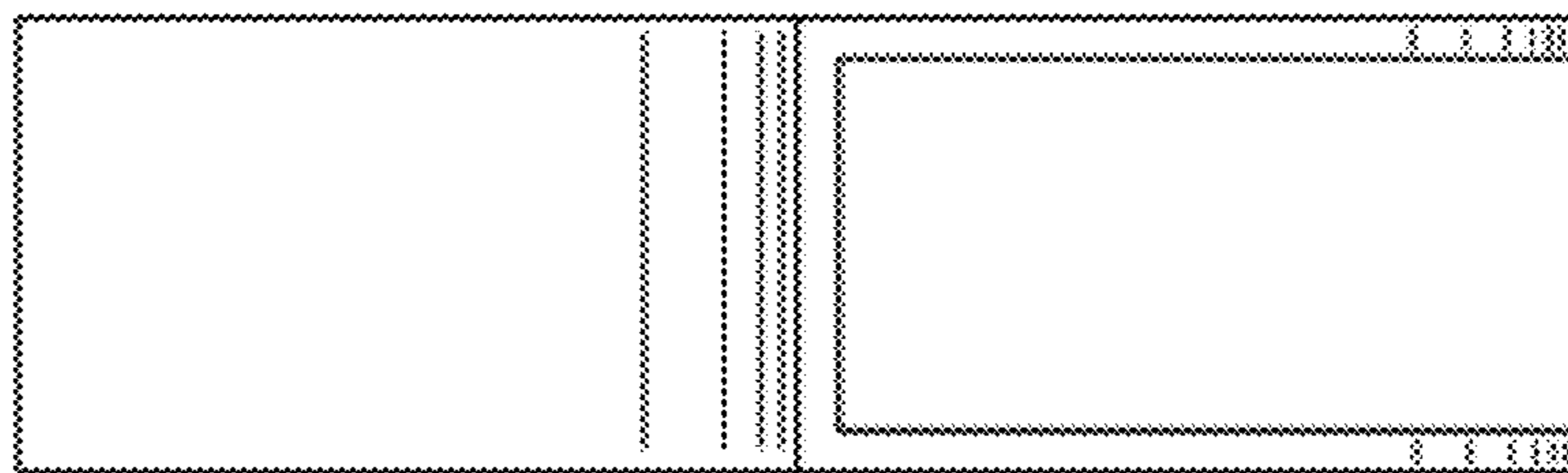


FIG. 16

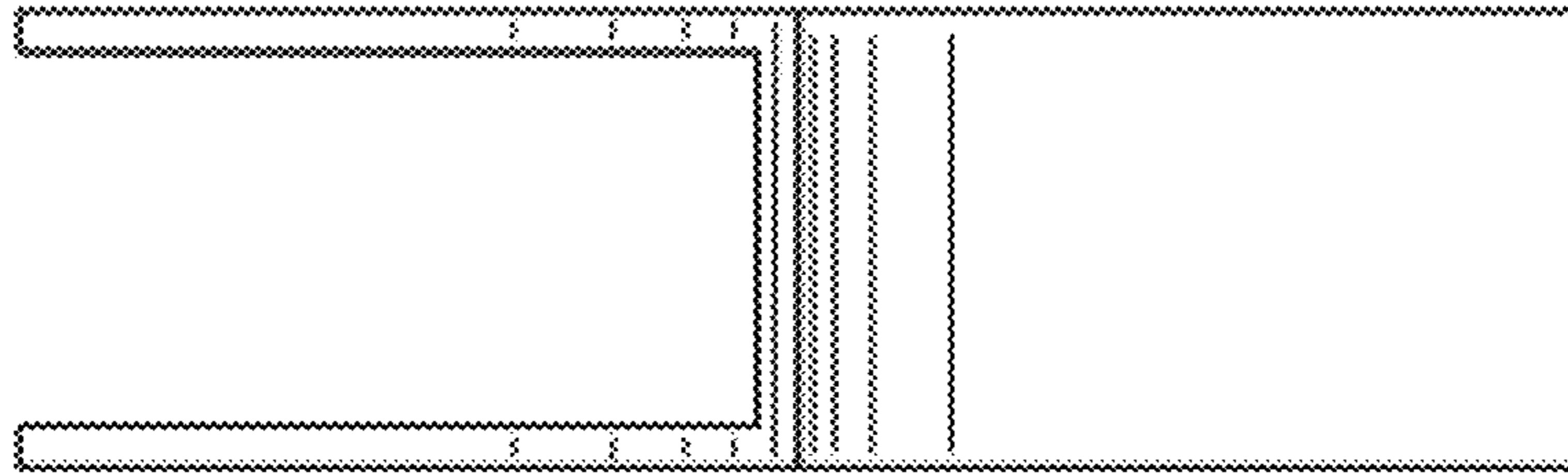


FIG. 17



FIG. 18

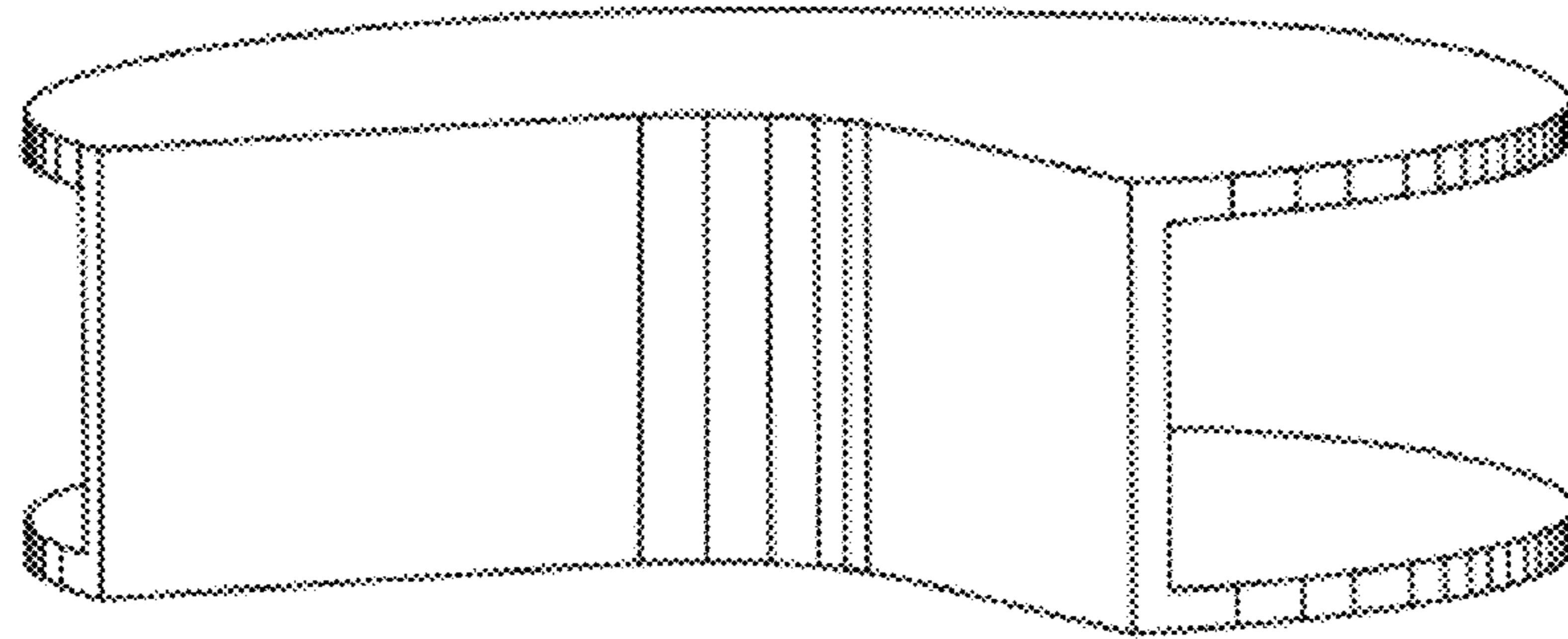


FIG. 19

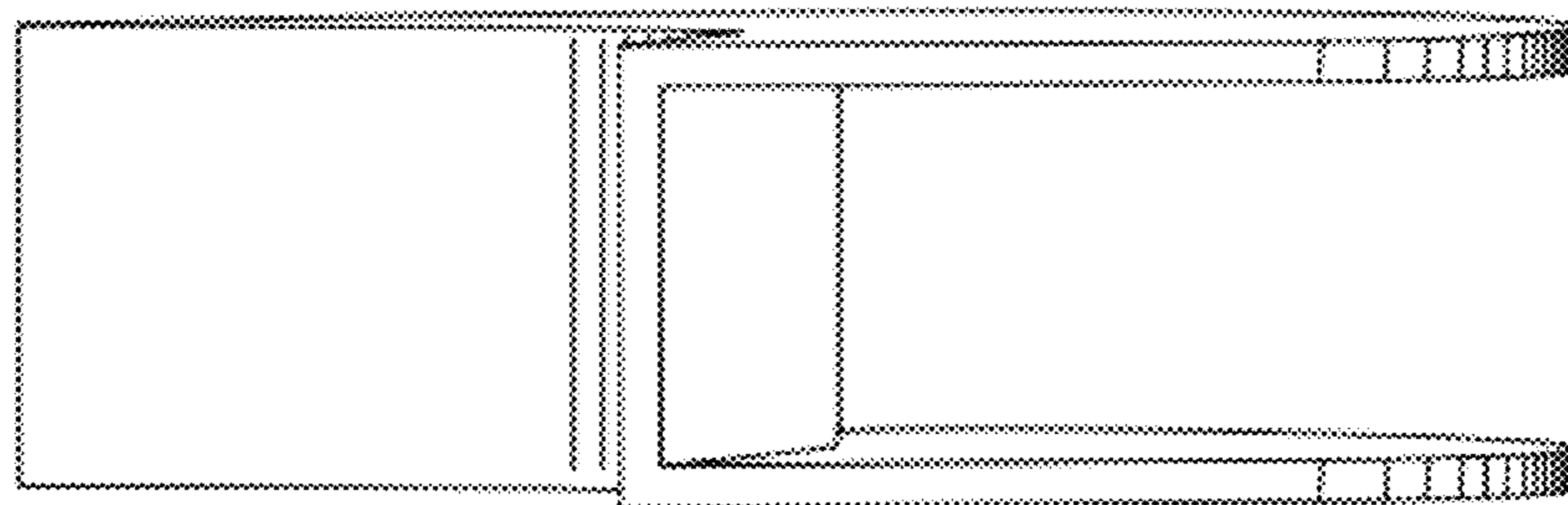


FIG. 20

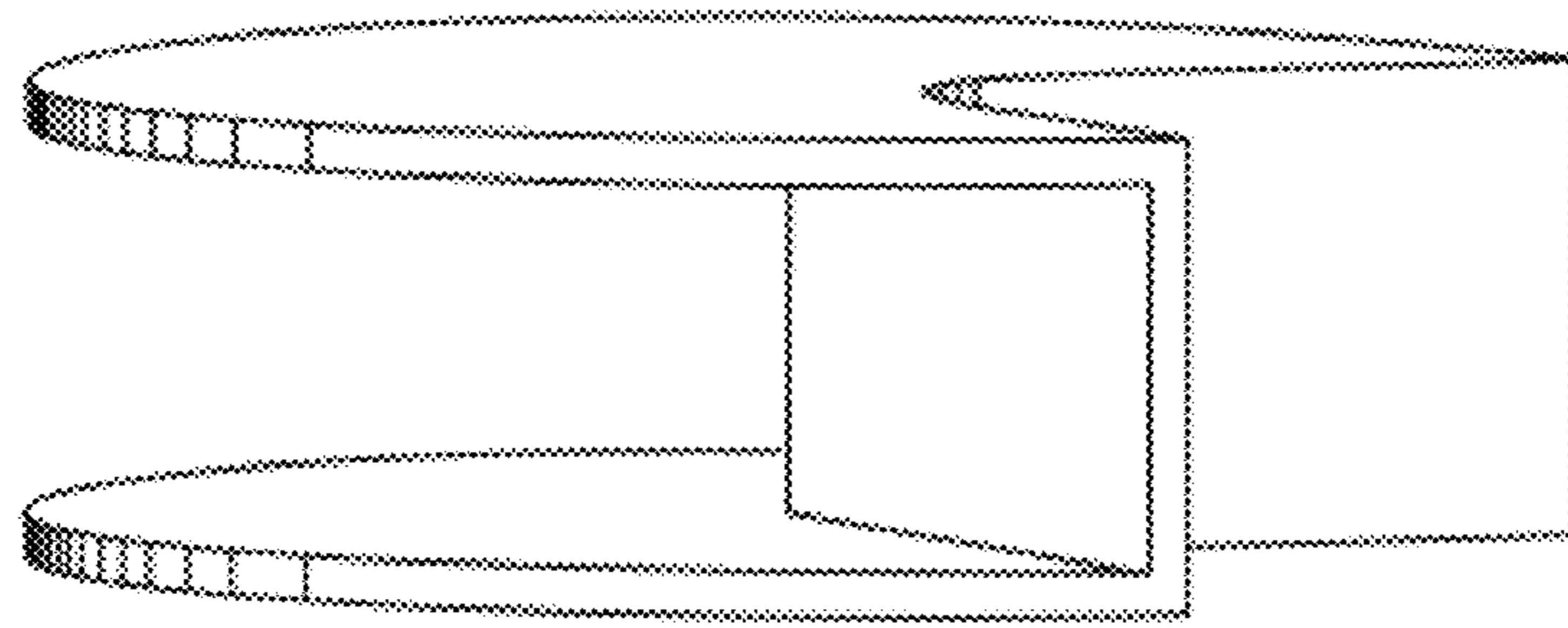


FIG. 21