

US00D664836S

(12) **United States Design Patent**  
**Kikuchi**

(10) **Patent No.:** **US D664,836 S**

(45) **Date of Patent:** **\*\* Aug. 7, 2012**

(54) **FLOOR BOARD FIXTURE**

(75) **Inventor:** **Takeyasu Kikuchi**, Minato-ku (JP)

(73) **Assignee:** **WPC Corporation**, Tokyo (JP)

(\*\*) **Term:** **14 Years**

(21) **Appl. No.:** **29/367,695**

(22) **Filed:** **Aug. 11, 2010**

(30) **Foreign Application Priority Data**

Feb. 12, 2010 (JP) ..... 2010-3253

(51) **LOC (9) Cl.** ..... **08-08**

(52) **U.S. Cl.** ..... **D8/382; D8/349**

(58) **Field of Classification Search** ..... D8/382,  
D8/354, 349; 411/458, 483.1; 403/231,  
403/232.1, 408.1; 52/582.1, 480, 489.1,  
52/586.1, 483.1, 489.2, 586.2, 591.5, 650.3  
See application file for complete search history.

(56) **References Cited**

**U.S. PATENT DOCUMENTS**

5,359,954	A *	11/1994	Kordelin	.....	114/85
D393,408	S *	4/1998	Mladineo	.....	D8/354
5,953,878	A *	9/1999	Johnson	.....	52/582.2
6,314,699	B1 *	11/2001	West	.....	52/489.1
D457,805	S *	5/2002	Machijima	.....	D8/354
6,402,415	B1 *	6/2002	Eberle, III	.....	403/231
6,470,641	B1 *	10/2002	Faure	.....	52/480
6,484,467	B2 *	11/2002	Crout	.....	52/483.1
6,651,398	B2 *	11/2003	Gregori	.....	52/489.1
D485,160	S *	1/2004	Pelc	.....	D8/382
6,810,633	B2 *	11/2004	Harris, Sr.	.....	52/489.2
6,851,884	B2 *	2/2005	Eberle	.....	403/231
6,871,467	B2 *	3/2005	Hafner	.....	52/586.1
D513,171	S *	12/2005	Richardson	.....	D8/394
7,052,200	B2 *	5/2006	Harris	.....	403/231
7,516,586	B2 *	4/2009	Riccitelli	.....	52/586.1
D600,105	S *	9/2009	Harris	.....	D8/382
7,600,353	B2 *	10/2009	Hafner	.....	52/582.1
D604,599	S *	11/2009	Prichard et al.	.....	D8/382

D610,440	S *	2/2010	Prichard et al.	.....	D8/382
7,805,903	B2 *	10/2010	Liu	.....	52/489.1
7,984,599	B2 *	7/2011	Snell et al.	.....	52/586.1
2009/0107076	A1 *	4/2009	Kim	.....	52/582.1

**FOREIGN PATENT DOCUMENTS**

JP	2002-146901	5/2002
JP	3091481	11/2002
JP	2003-201758	7/2003
JP	2004-27724	1/2004
JP	3120851	3/2006
JP	2006-177066	7/2006
JP	2006/226029	8/2006
JP	2008-31827	2/2008
JP	2008-255601	10/2008
JP	2008-285929	11/2008

\* cited by examiner

*Primary Examiner* — Mark Goodwin

(74) *Attorney, Agent, or Firm* — Merchant & Gould P.C.

(57) **CLAIM**

The ornamental design for floor board fixture, as shown and described.

**DESCRIPTION**

FIG. 1 is a front view of the floor board fixture showing my design (the back side being a mirror image thereof); FIG. 2 is a right side elevational view (the left side being a mirror image thereof); FIG. 3 is a top plan view; FIG. 4 is a bottom plan view; FIG. 5 is perspective view; FIG. 6 is a sectional view taken along lines 6-6 of FIG. 3; FIG. 7 is a right side view of the floor board fixture assembled in use; and, FIG. 8 is a perspective view of the floor board fixture assembled in use.

The broken line showing of floor boards in FIGS. 7 and 8 is included for the purpose of illustrating environmental structure only and forms no part of the claimed design.

**1 Claim, 6 Drawing Sheets**

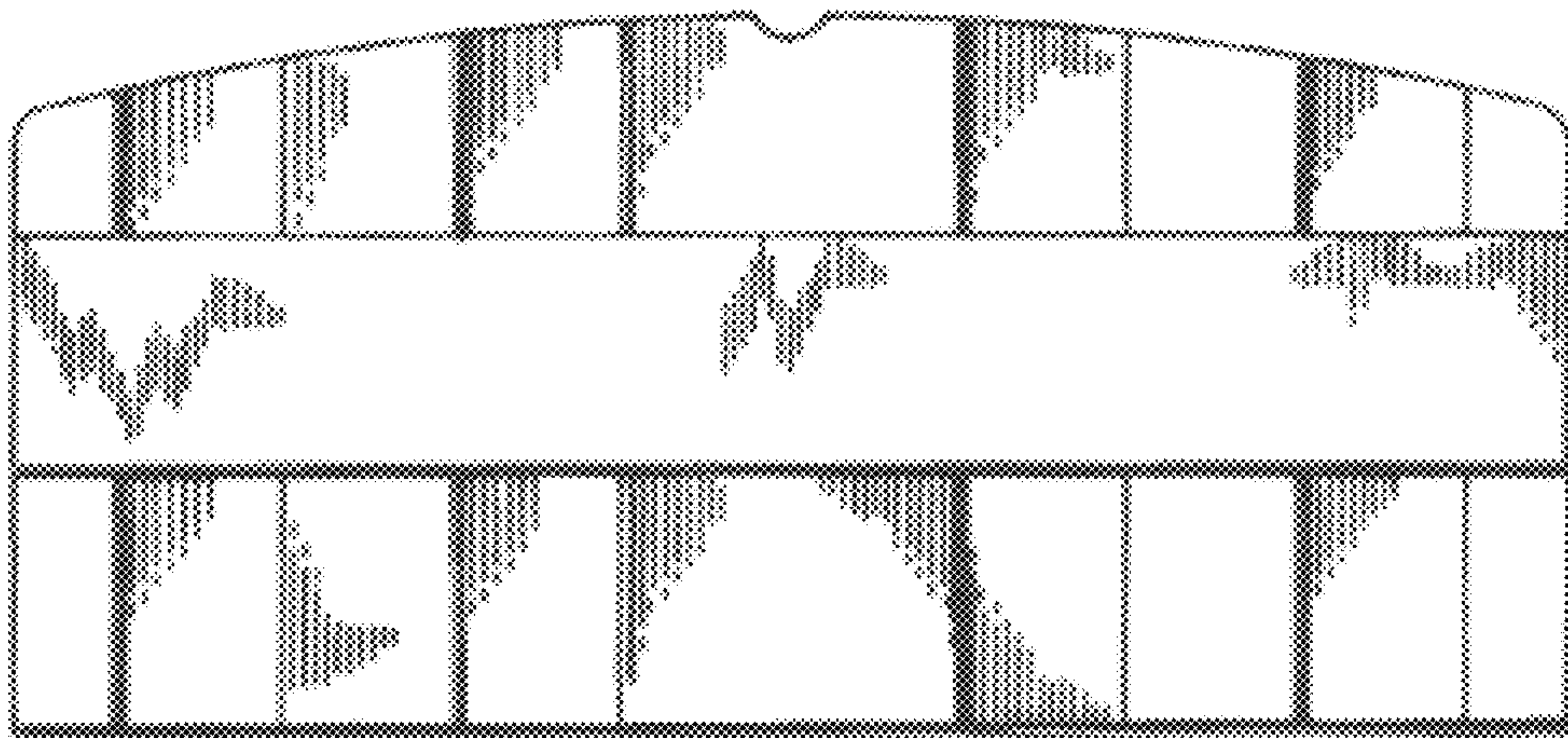


FIG. 1

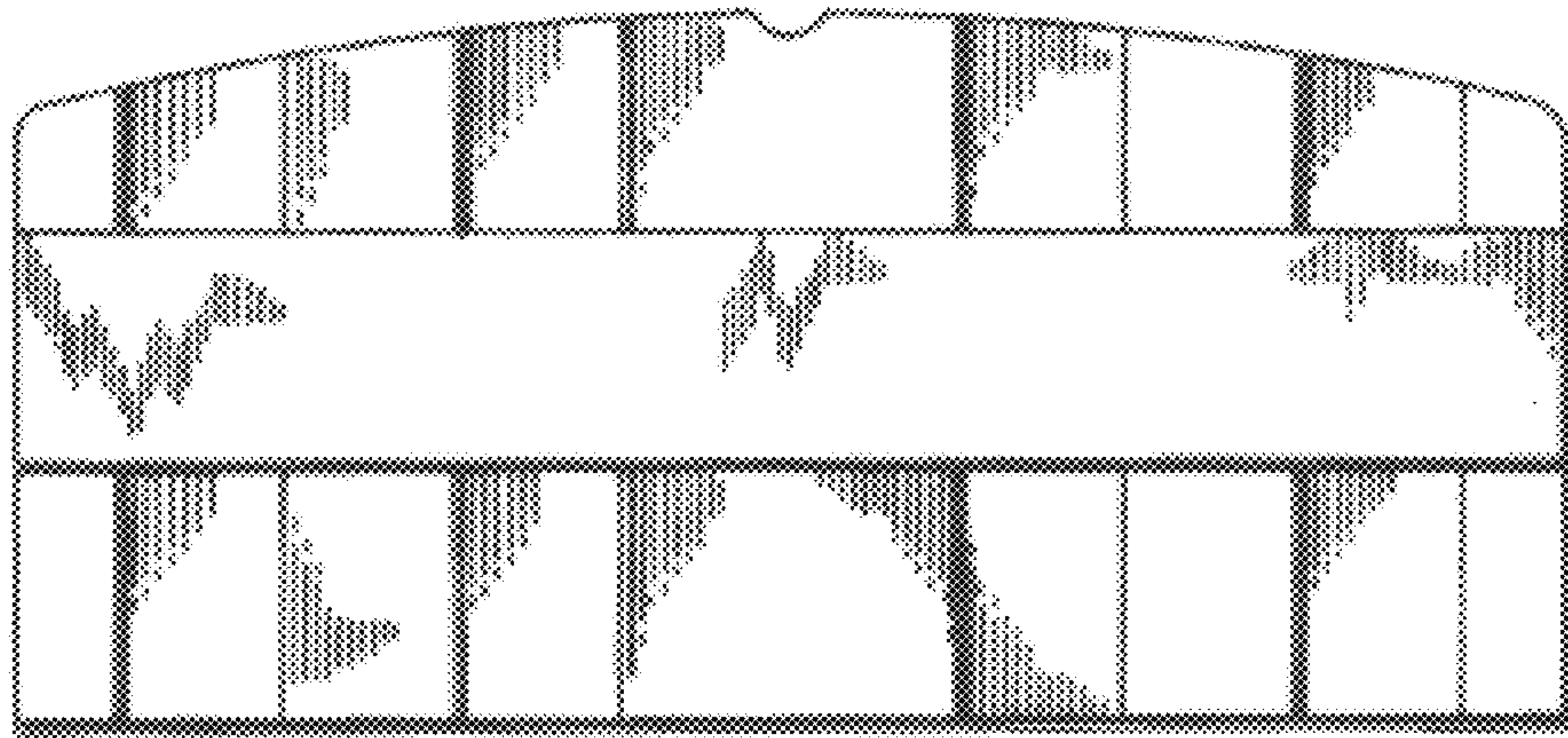
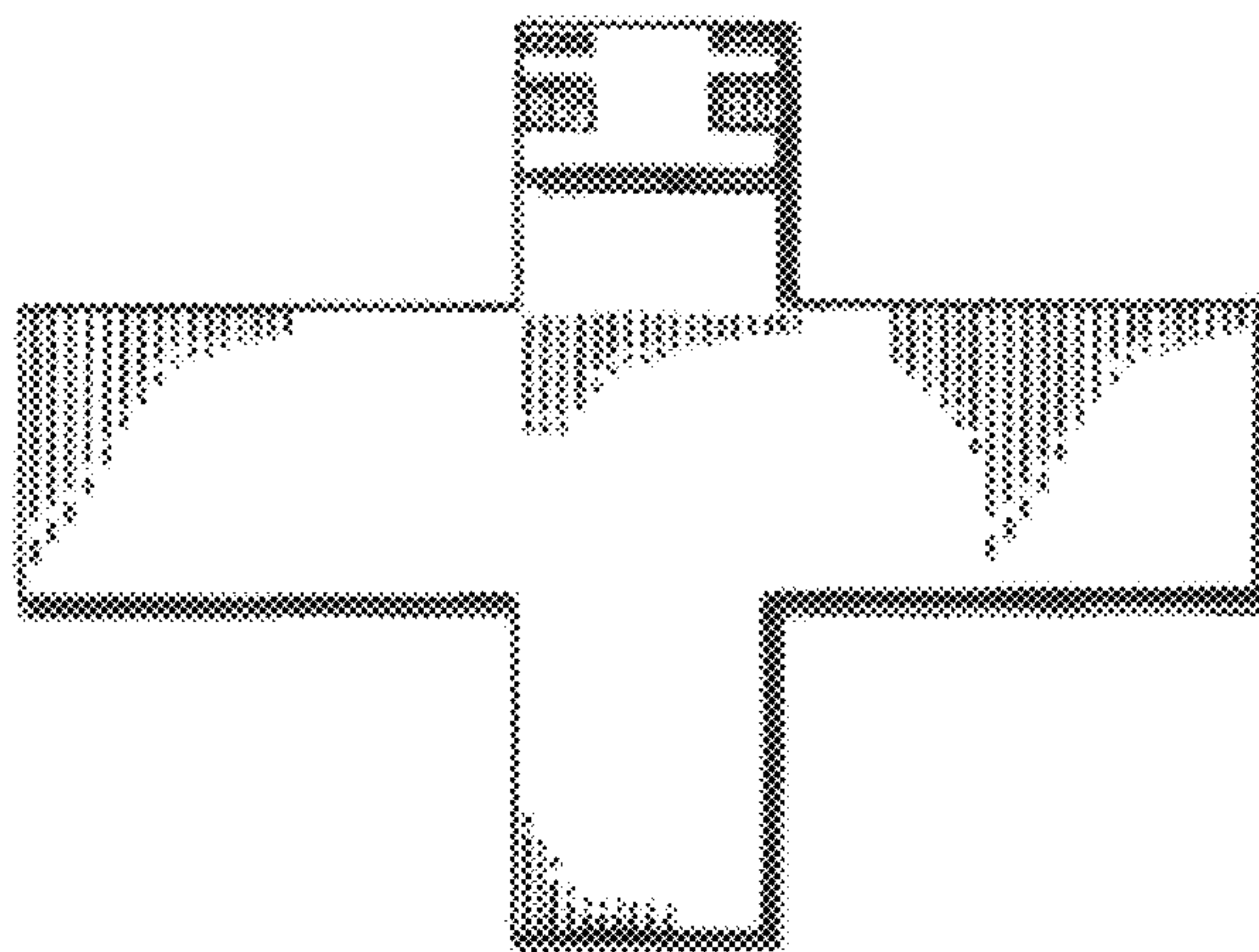


FIG. 2



[FIG. 3]

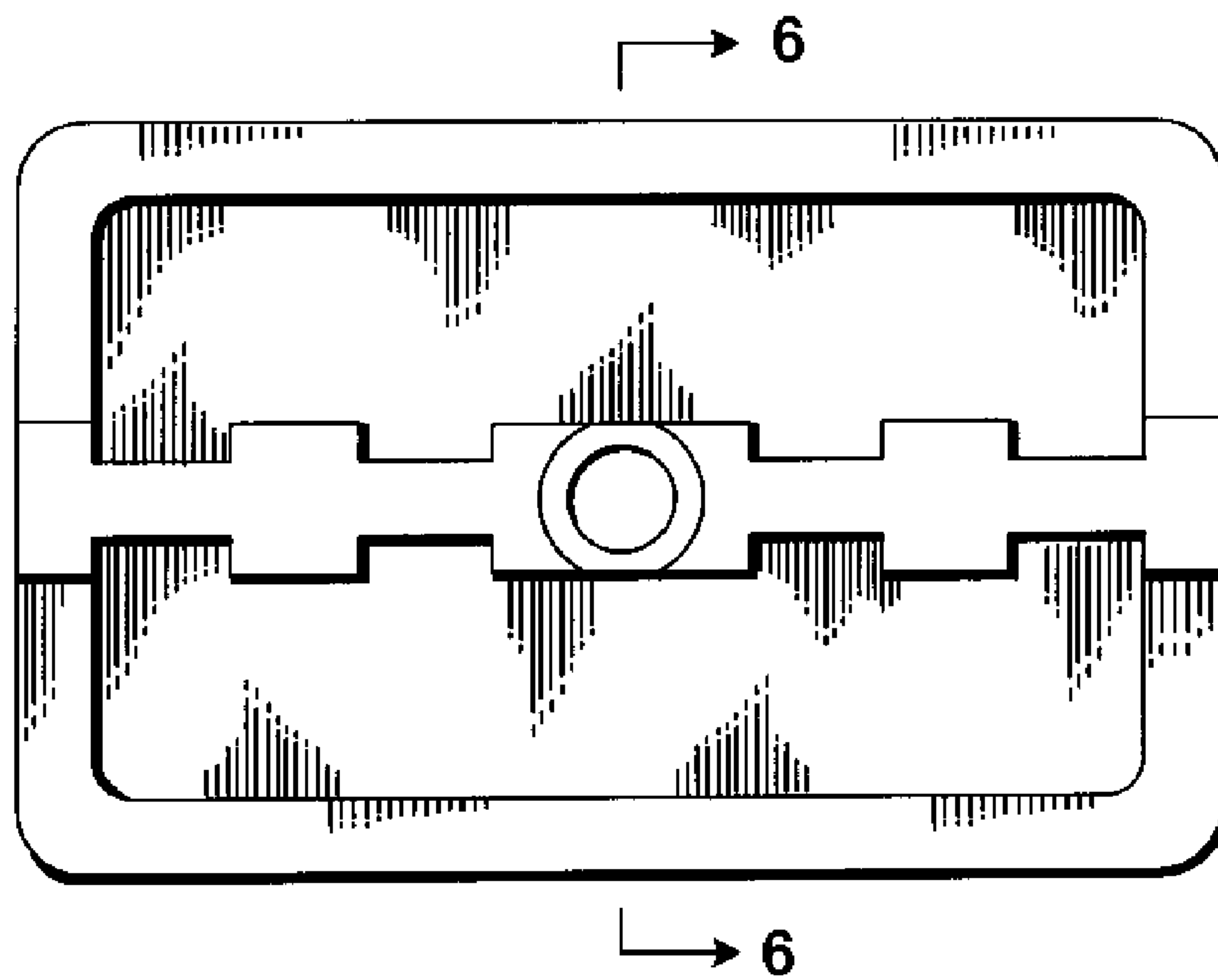




FIG. 4

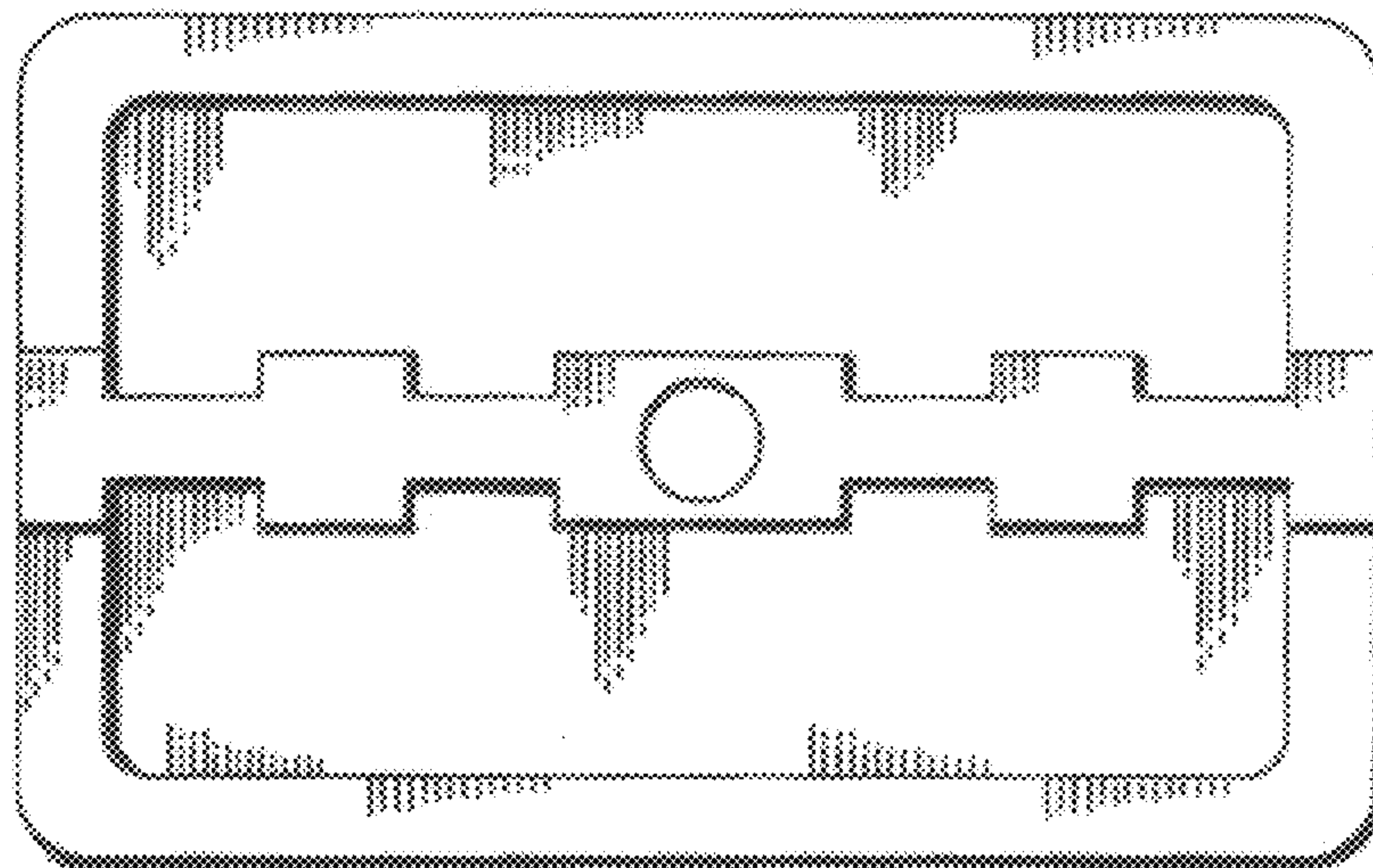


FIG. 5

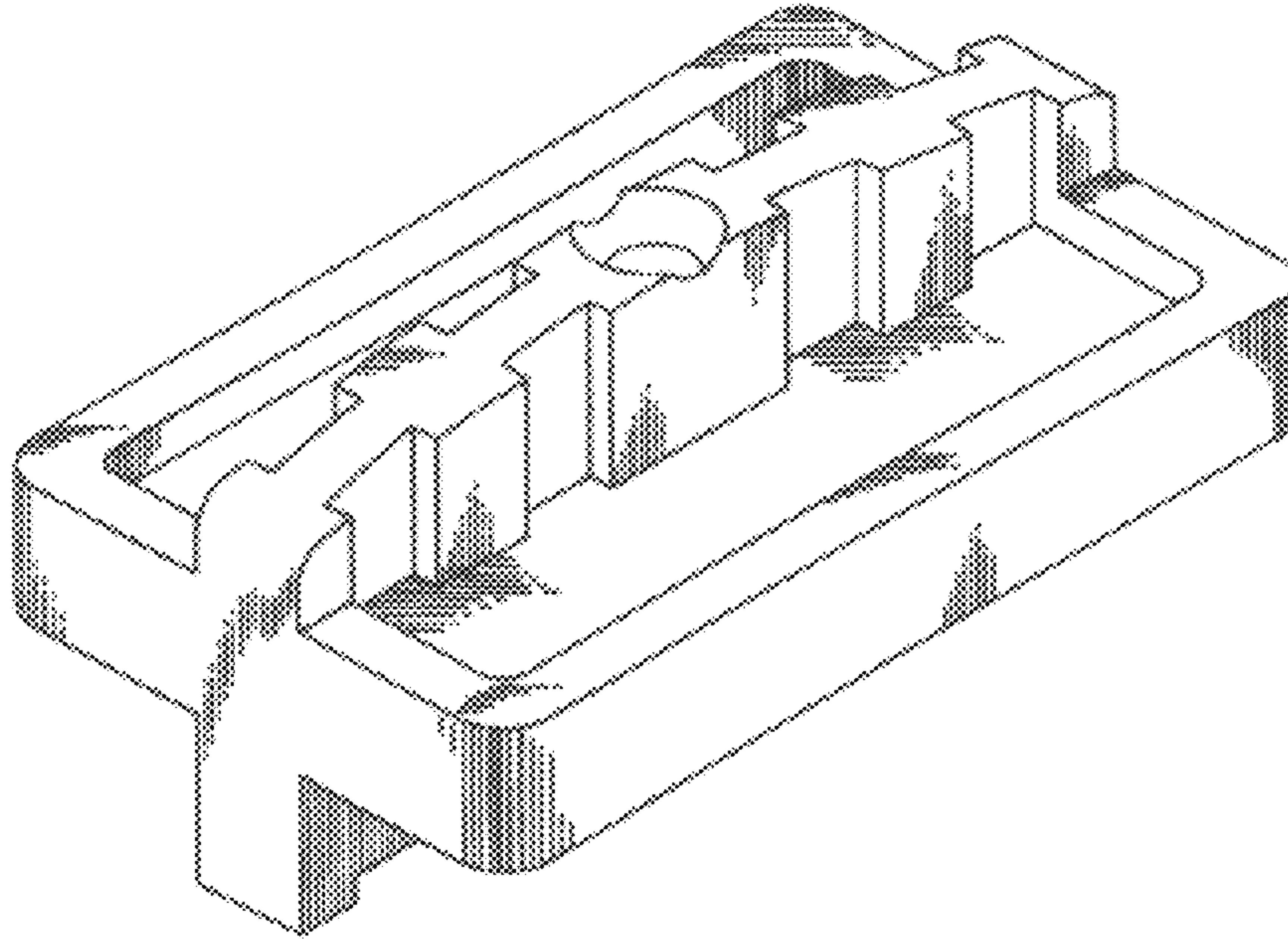
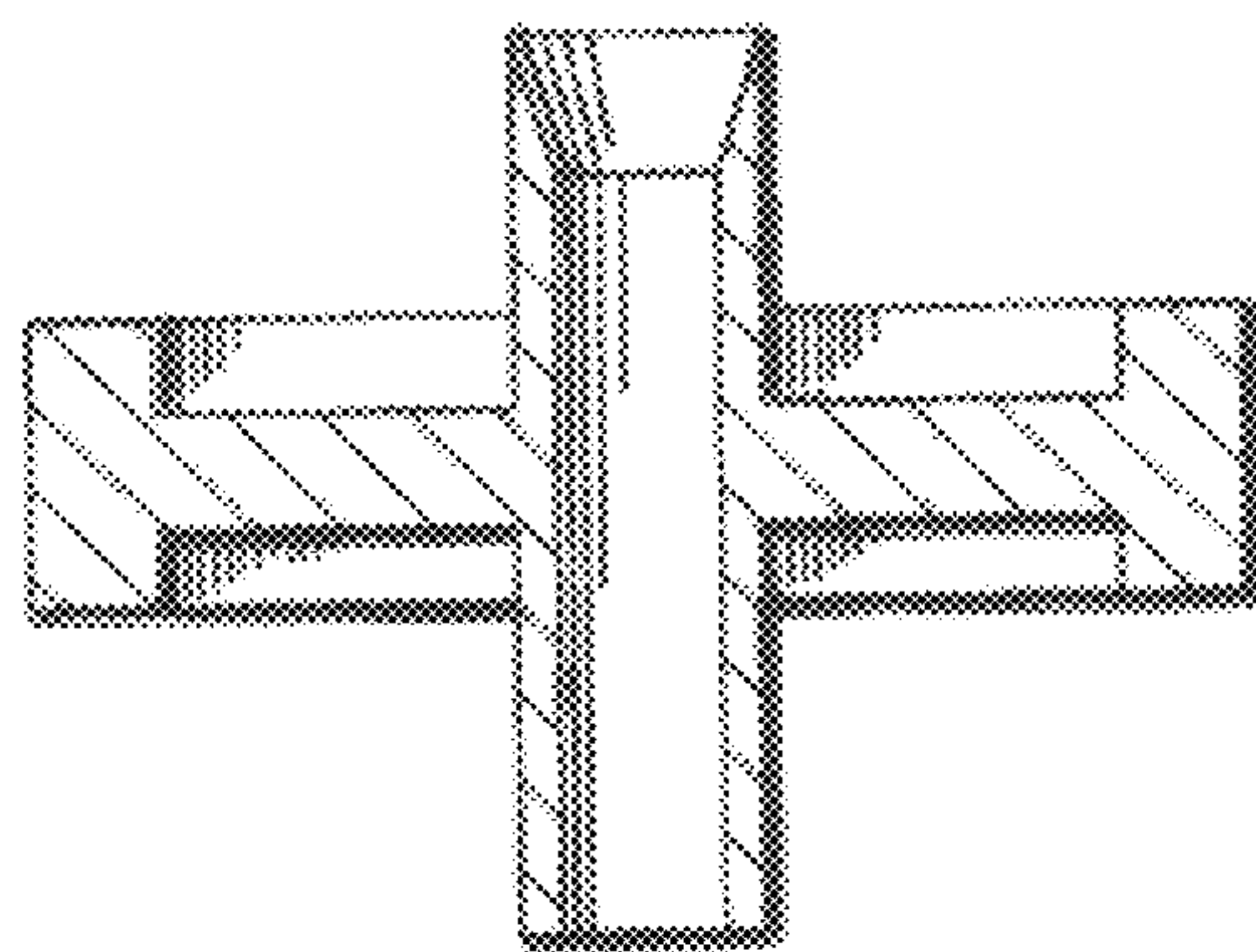
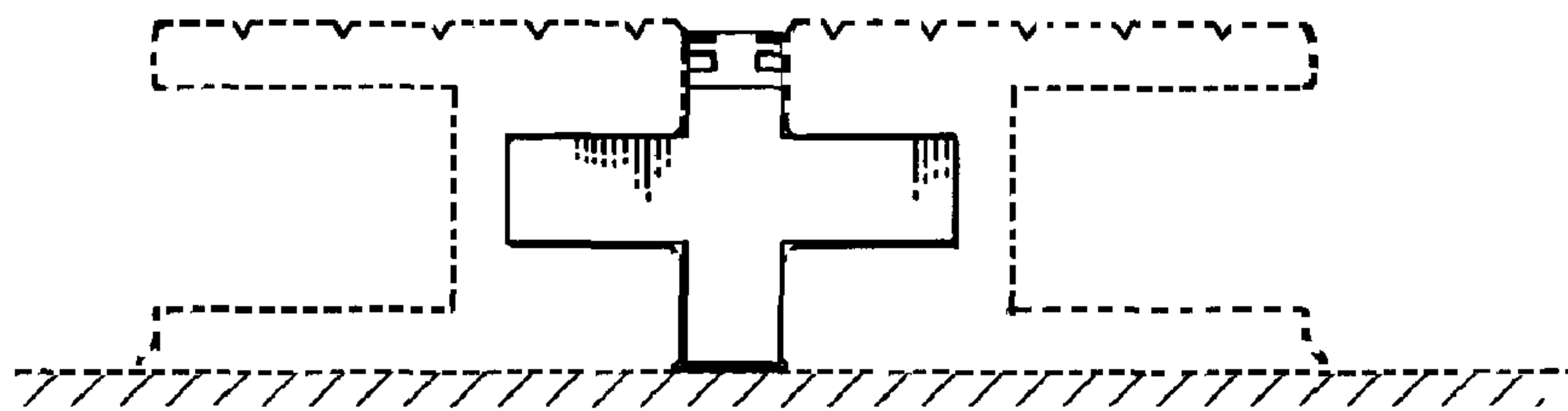


FIG. 6



[FIG. 7]



[FIG. 8]

