

US00D664832S

(12) **United States Design Patent**
van der Vorst

(10) **Patent No.:** **US D664,832 S**

(45) **Date of Patent:** **** Aug. 7, 2012**

(54) **CORD RECEIVER**

(75) Inventor: **Ralf van der Vorst**, Breda (NL)

(73) Assignee: **Hunter Douglas Industries BV**, El
Rotterdam (NL)

(**) Term: **14 Years**

(21) Appl. No.: **29/393,223**

(22) Filed: **Jun. 1, 2011**

(30) **Foreign Application Priority Data**

Dec. 2, 2010 (EM) 001248272-0003

(51) **LOC (9) Cl.** **08-05**

(52) **U.S. Cl.** **D8/356**

(58) **Field of Classification Search** D8/356,
D8/354, 367, 349, 330, 383; 439/501; 70/421,
70/371, 369, 208

See application file for complete search history.

(56) **References Cited**

U.S. PATENT DOCUMENTS

- 1,532,177 A * 4/1925 Gist 248/89
- 1,625,585 A * 4/1927 Archer 242/599.2
- 3,132,822 A * 5/1964 Arthur 242/613.4
- 4,330,005 A * 5/1982 Kjarsgaard 137/355.28
- 4,909,298 A 3/1990 Langhart et al.
- D373,069 S * 8/1996 McCarthy D8/354

- D508,199 S * 8/2005 Winig et al. D8/356
- D537,709 S * 3/2007 Thorner D8/396
- 7,311,132 B2 12/2007 Corey et al.
- D625,985 S * 10/2010 Mori et al. D8/356
- D644,916 S * 9/2011 Lee D8/356
- D644,917 S * 9/2011 Lee D8/356
- D647,387 S * 10/2011 Pawluk D8/356

FOREIGN PATENT DOCUMENTS

CA 2591178 12/2009

* cited by examiner

Primary Examiner — Cynthia Underwood

(74) *Attorney, Agent, or Firm* — Dorsey & Whitney LLP

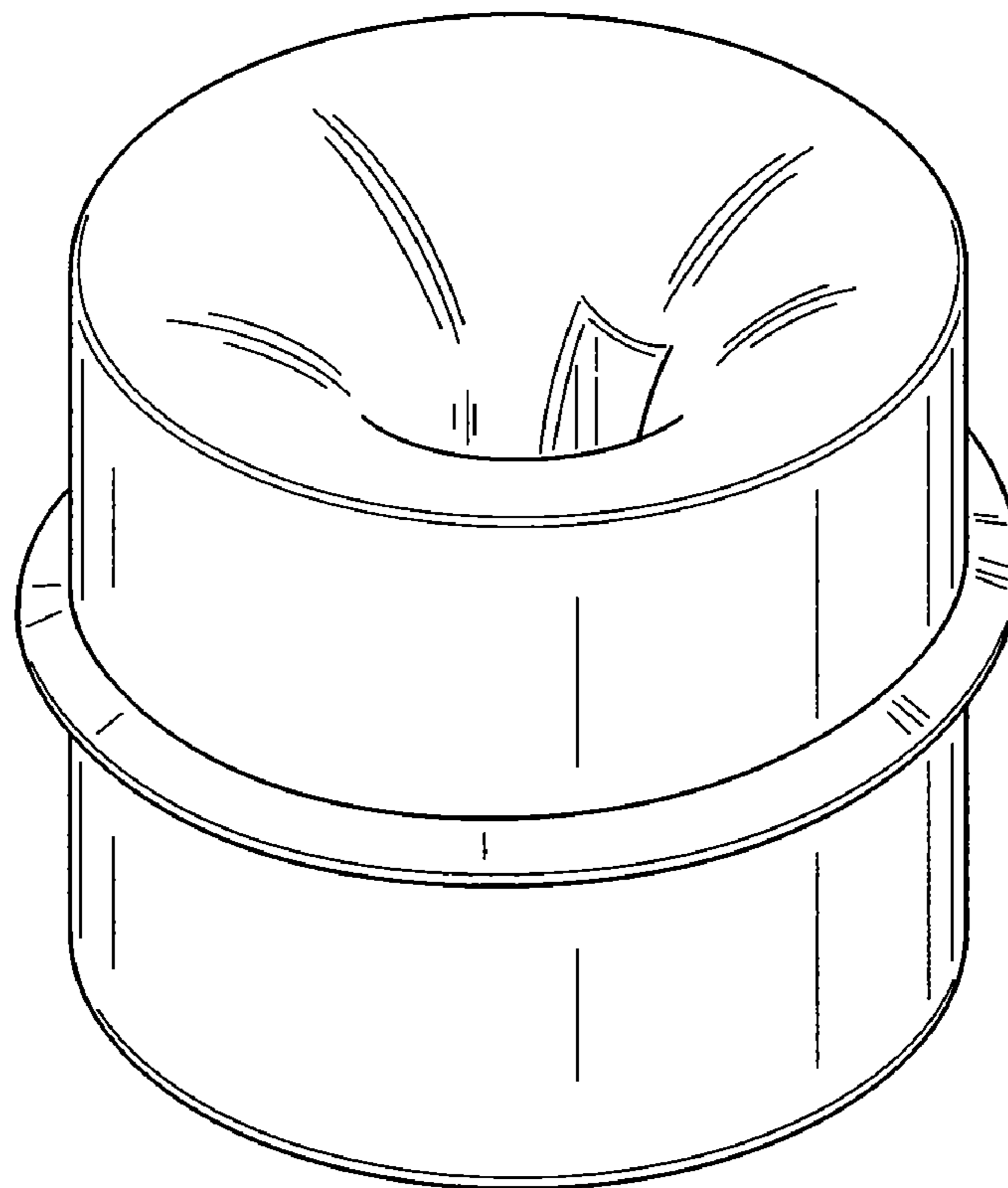
(57) **CLAIM**

I claim the ornamental design for a cord receiver, as shown and described.

DESCRIPTION

FIG. 1 is a front elevation view of a cord receiver. FIG. 2 is a top perspective view of the cord receiver of FIG. 1. FIG. 3 is a top plan view of the cord receiver of FIG. 1; and, FIG. 4 is a bottom plan view of the cord receiver of FIG. 1. The broken lines shown in the drawings are for purposes of illustrating use and environment only and form no part of the claimed design.

1 Claim, 2 Drawing Sheets



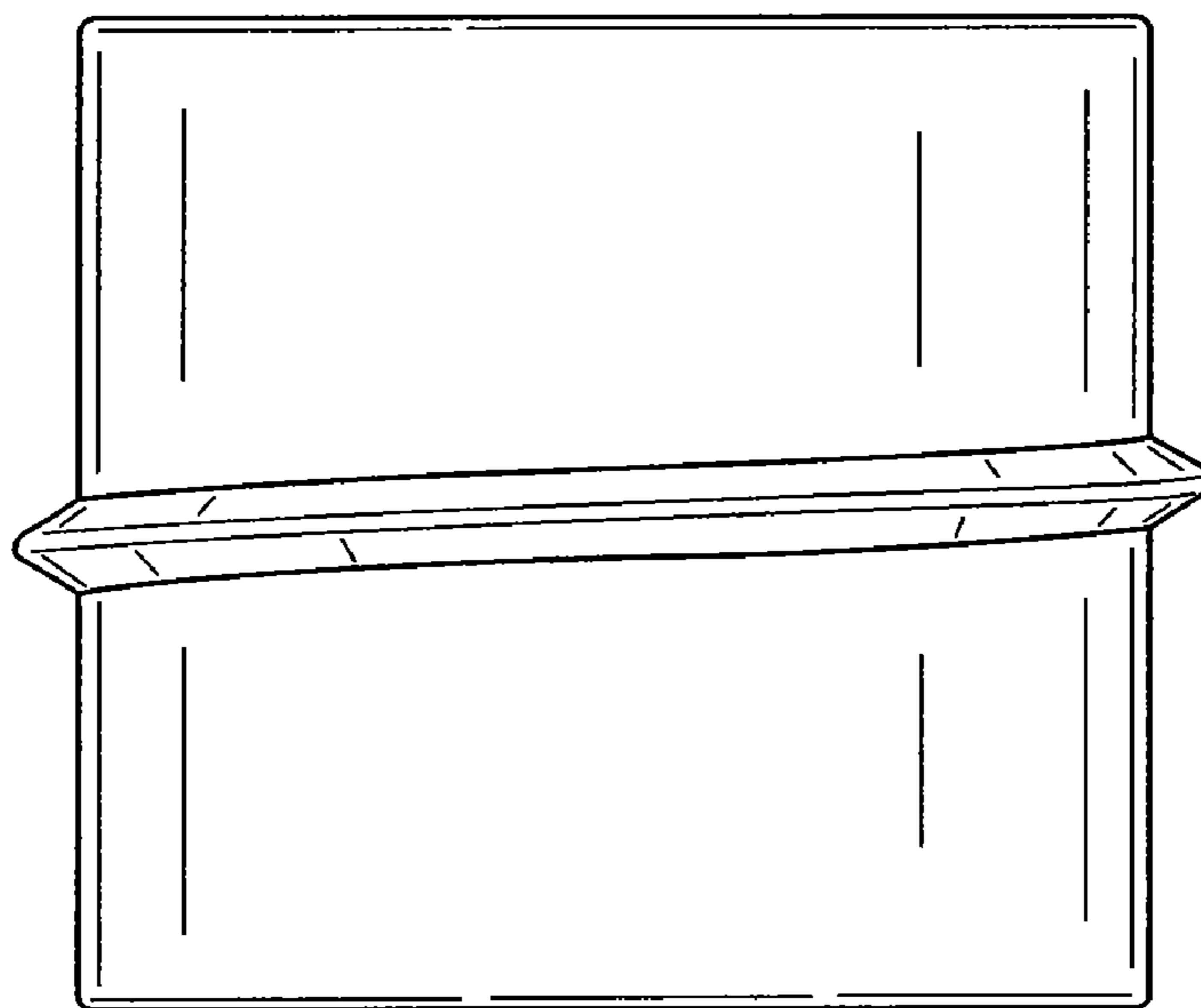


FIG. 1

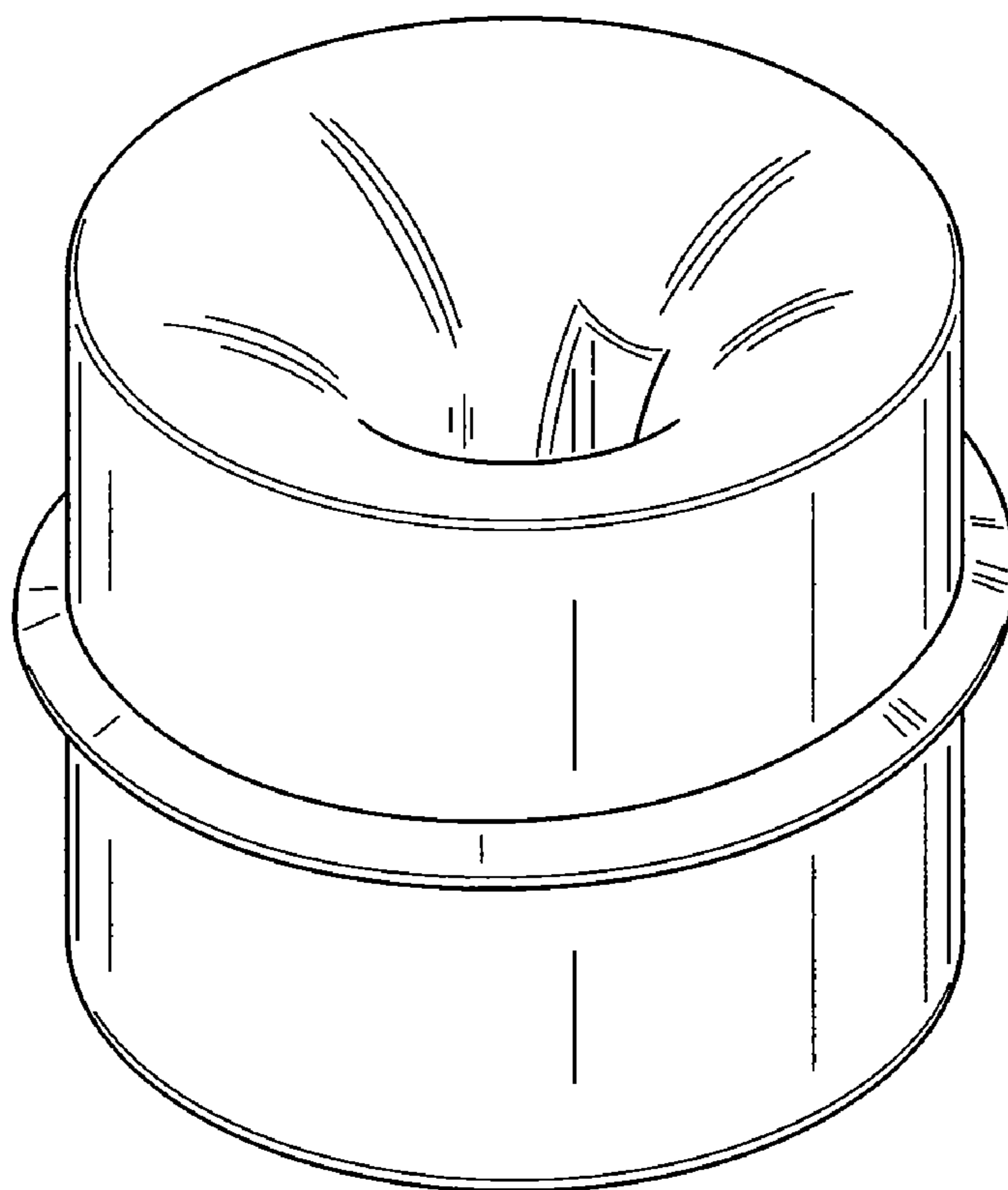


FIG. 2

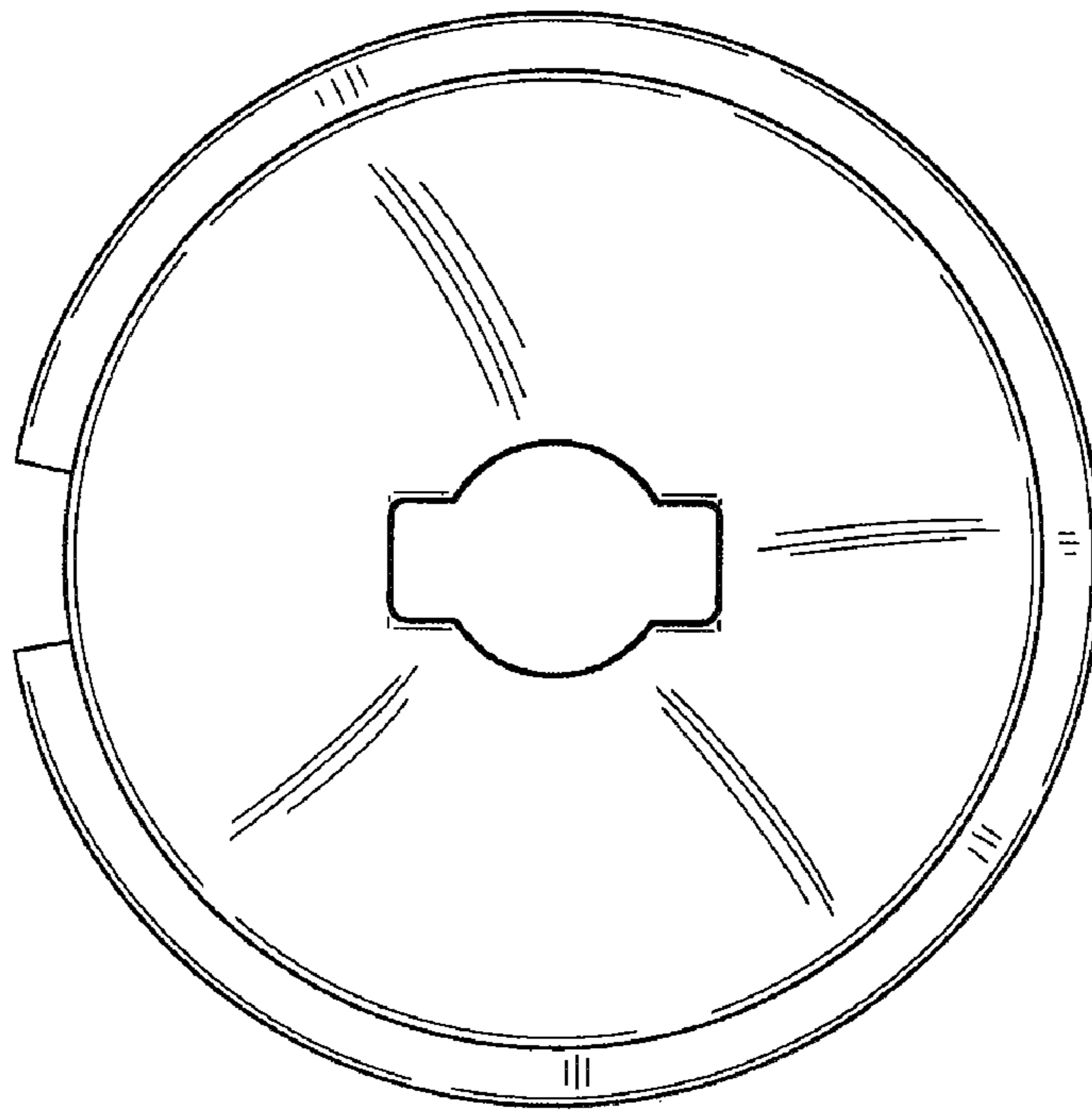


FIG. 3

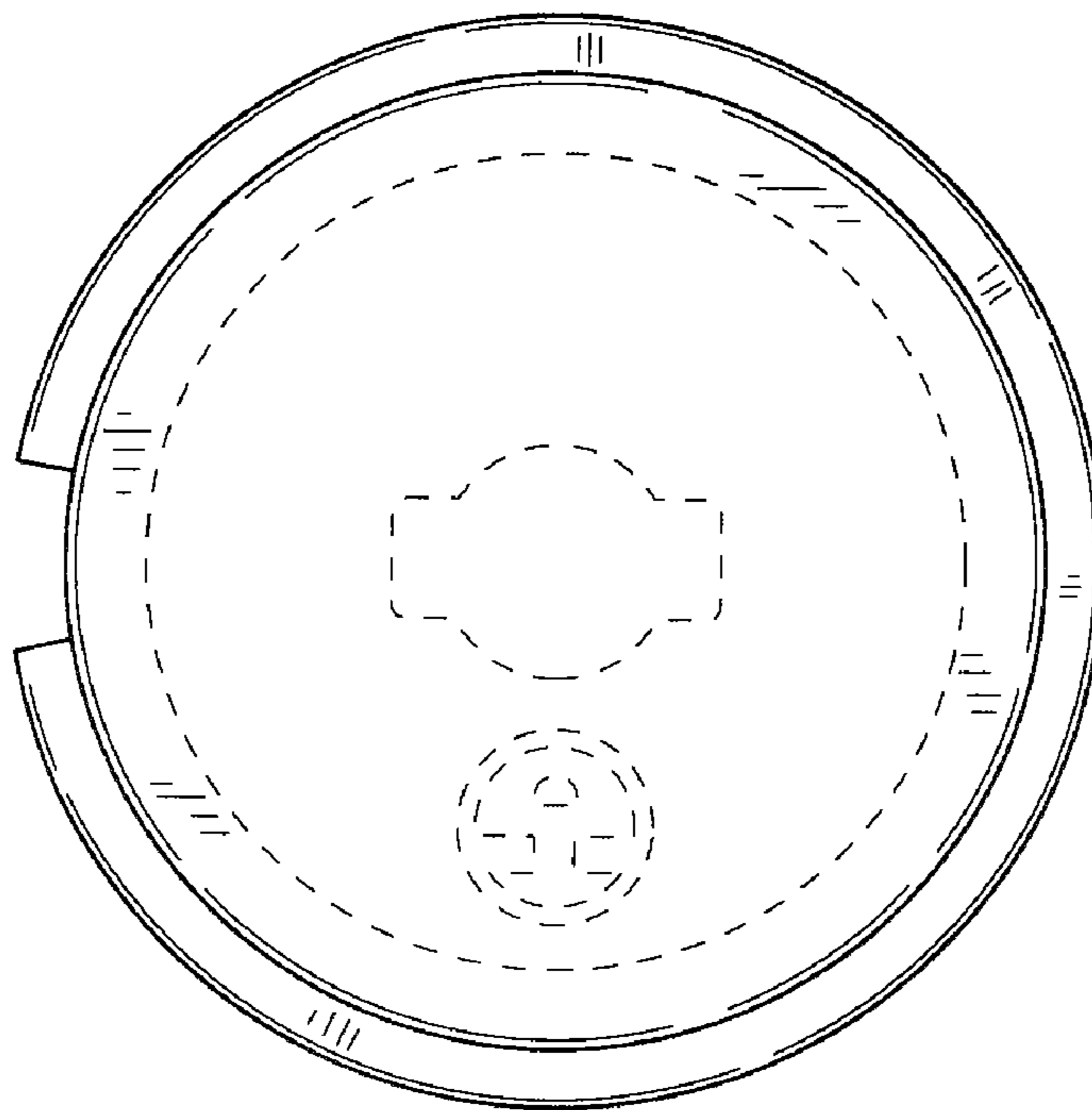


FIG. 4