



US00D664830S

(12) **United States Design Patent**
Yu et al.

(10) **Patent No.:** **US D664,830 S**

(45) **Date of Patent:** **** Aug. 7, 2012**

- (54) **PISTON FOR DOOR CLOSER**
- (75) Inventors: **Rick Yu**, Changhua County (TW);
Ju-Kuan Yang, Changhua County (TW)
- (73) Assignee: **Taiwan Fu Hsing Industrial Co., Ltd.**,
Kaohsiung (TW)

| | | | | | |
|--------------|------|---------|-----------------|-------|--------|
| D493,352 | S * | 7/2004 | Homberg | | D8/330 |
| 6,976,289 | B1 * | 12/2005 | Luca | | 16/76 |
| 7,357,198 | B2 | 4/2008 | Megarian et al. | | |
| 7,650,669 | B2 | 1/2010 | Bienek | | |
| 7,841,047 | B2 * | 11/2010 | Juntunen | | 16/51 |
| D638,686 | S * | 5/2011 | Gordon | | D8/339 |
| 2007/0033768 | A1 | 2/2007 | Ginzel | | |
| 2011/0197391 | A1 | 8/2011 | Yu et al. | | |

(**) Term: **14 Years**

(21) Appl. No.: **29/400,244**

(22) Filed: **Aug. 25, 2011**

(51) **LOC (9) Cl.** **08-07**

(52) **U.S. Cl.** **D8/343; D8/330**

(58) **Field of Classification Search** D8/30,
D8/331, 336-339, 343, 341, 349, 382; 70/14,
70/38 R, 51, 52, 57, 57.1, 101, 106; 292/32,
292/33, 4, 45, 56, 57, 71, 74, 78, 63, 137,
292/194

See application file for complete search history.

FOREIGN PATENT DOCUMENTS

| | | | |
|----|----------|----|---------|
| DE | 10001950 | A1 | 7/2000 |
| EP | 2138662 | A2 | 12/2009 |
| EP | 2148033 | A2 | 1/2010 |

* cited by examiner

Primary Examiner — Prabhakar Deshmukh

(74) *Attorney, Agent, or Firm* — Jackson IPG PLLC

(57) **CLAIM**

The ornamental design for a piston for door closer, as shown and described.

(56) **References Cited**

U.S. PATENT DOCUMENTS

| | | | | | |
|-----------|------|---------|-----------------|-------|------------|
| 366,711 | A | 7/1887 | Bardsley | | |
| 3,337,902 | A | 8/1967 | Webb et al. | | |
| 4,785,493 | A | 11/1988 | Tillmann et al. | | |
| 5,417,013 | A | 5/1995 | Tillmann | | |
| 5,471,708 | A * | 12/1995 | Lynch | | 16/66 |
| 5,488,896 | A * | 2/1996 | Current | | 92/129 |
| 5,832,561 | A * | 11/1998 | Bienek | | 16/53 |
| 402,295 | A | 12/1998 | Kayukawa et al. | | |
| 5,992,444 | A * | 11/1999 | Junttila | | 137/599.11 |
| 6,282,750 | B1 | 9/2001 | Bishop et al. | | |
| 6,345,412 | B1 * | 2/2002 | Law | | 16/72 |
| 6,421,876 | B1 | 7/2002 | Ginzel et al. | | |
| D462,004 | S * | 8/2002 | Jenks | | D8/343 |
| 6,618,899 | B1 * | 9/2003 | Ginzel et al. | | 16/62 |
| D491,787 | S * | 6/2004 | Homberg | | D8/330 |

DESCRIPTION

FIG. 1 is a perspective view of a piston for door closer showing our design;

FIG. 2 is a front elevational view thereof;

FIG. 3 is a top plan view thereof;

FIG. 4 is a right side elevational view thereof;

FIG. 5 is a left side elevational view thereof;

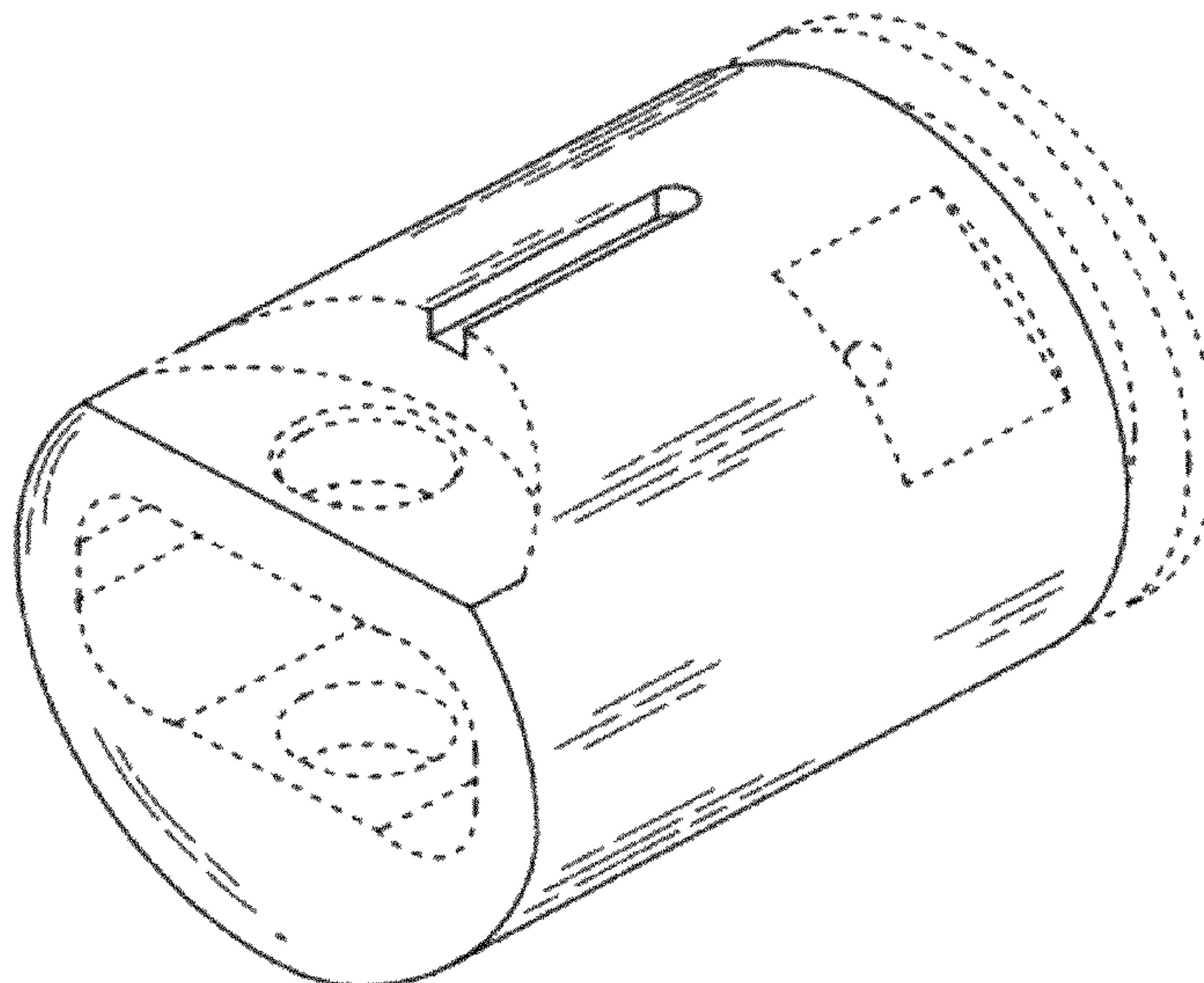
FIG. 6 is a rear elevational view thereof;

FIG. 7 is a bottom plan view thereof; and,

FIG. 8 is a perspective view of a door closer with the piston disposed therein.

The broken lines in FIGS. 1-8 are for illustrative purposes only and form no part of the claimed design.

1 Claim, 5 Drawing Sheets



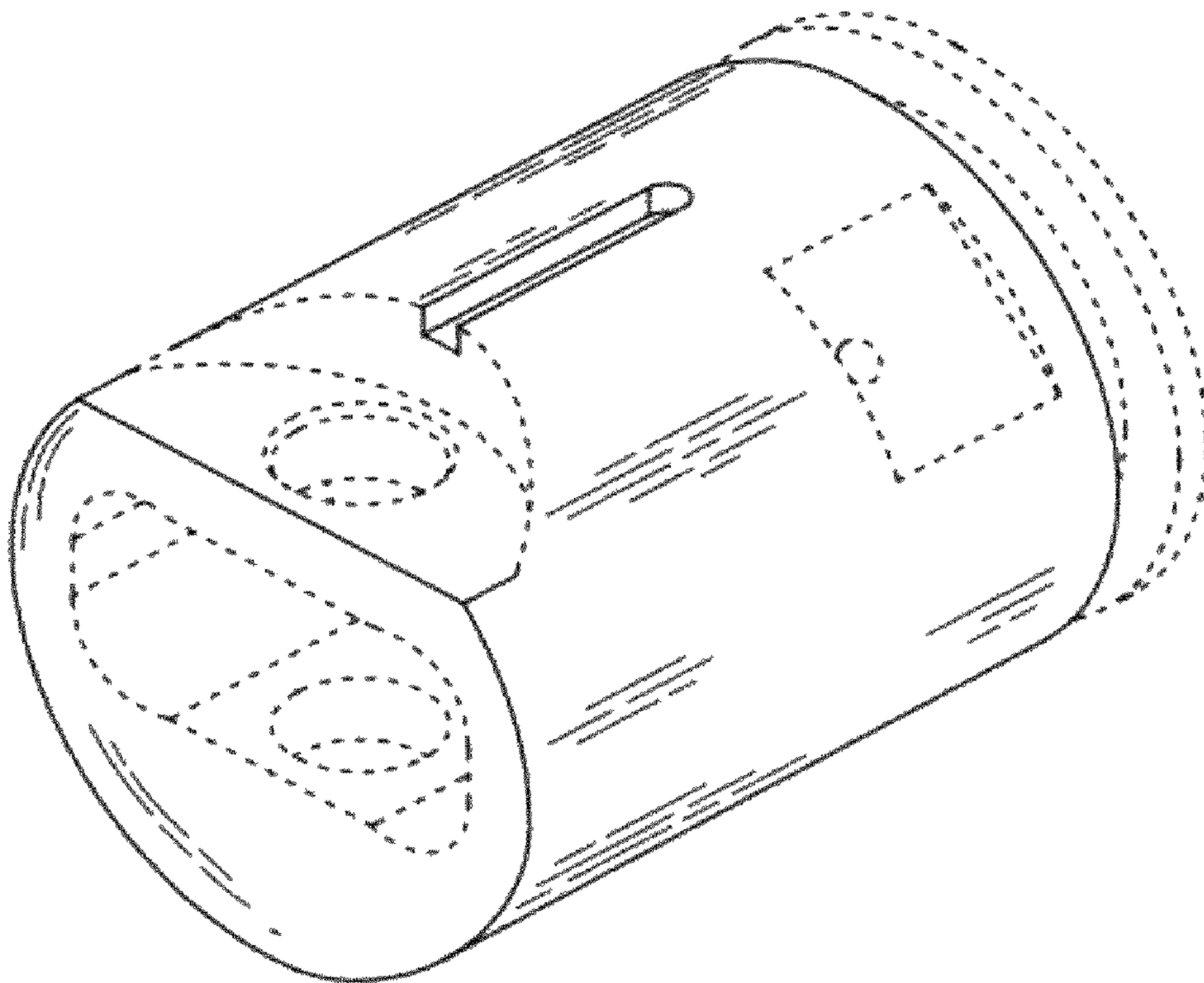


FIG. 1

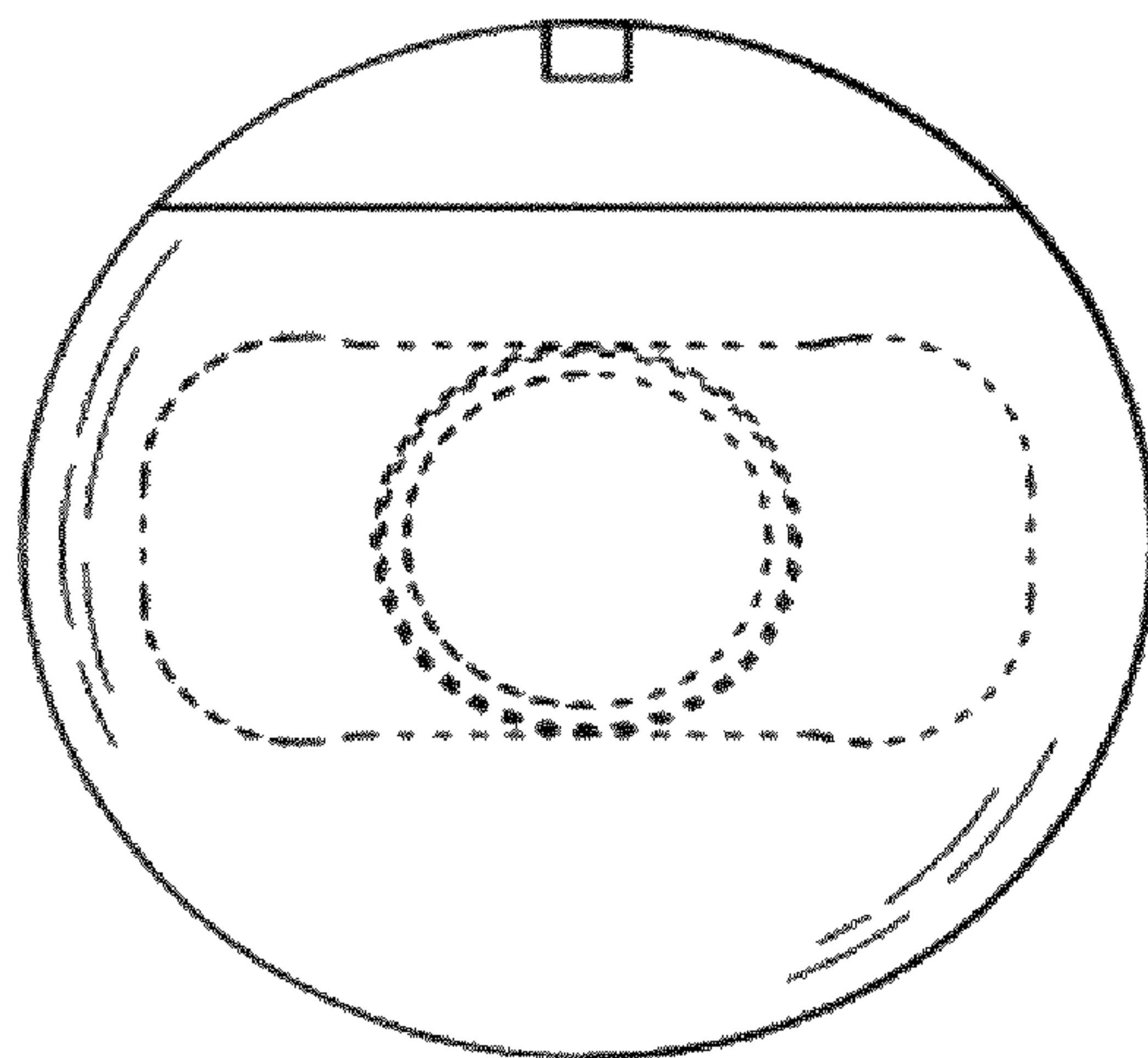


FIG. 2

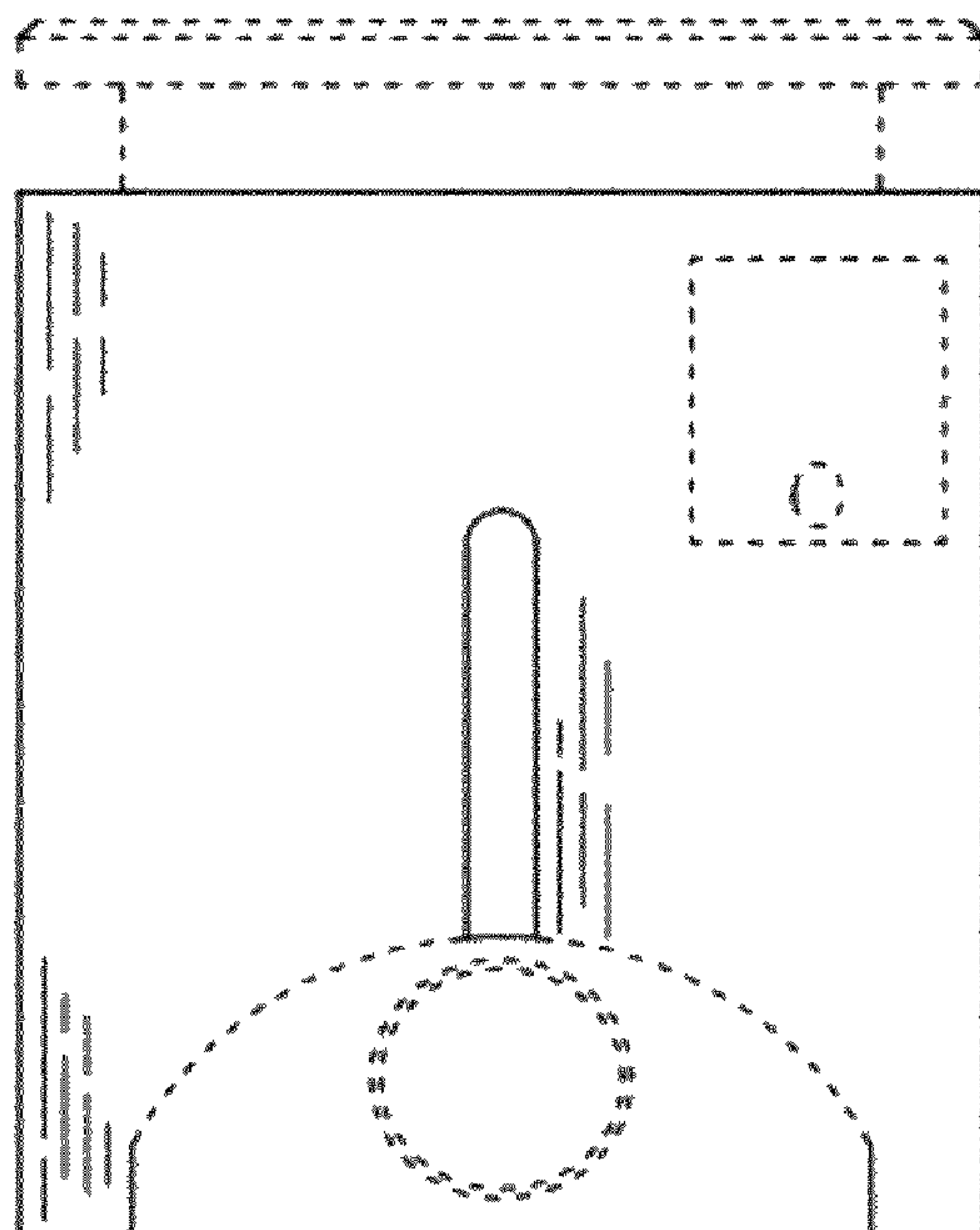


FIG. 3

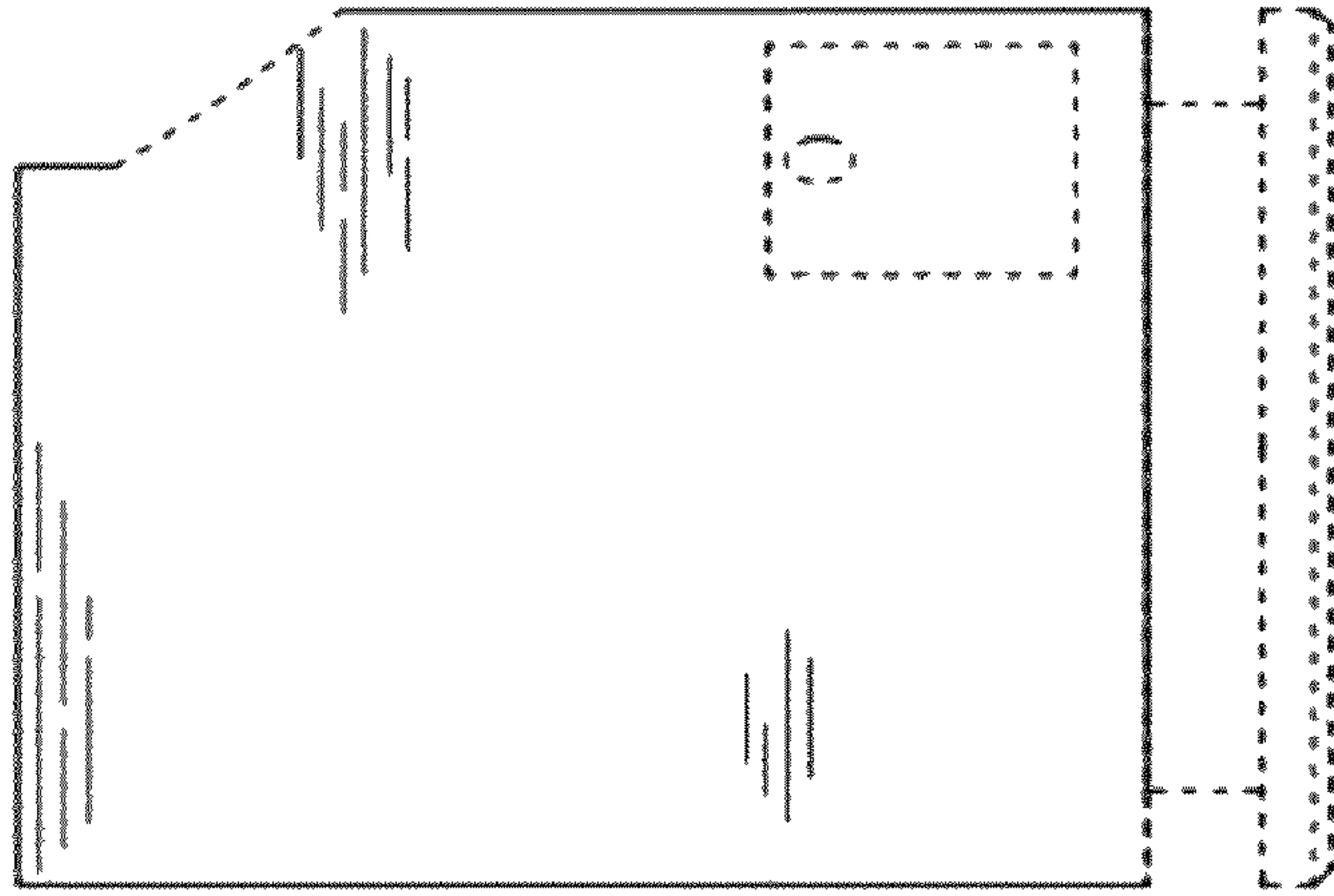


FIG. 4

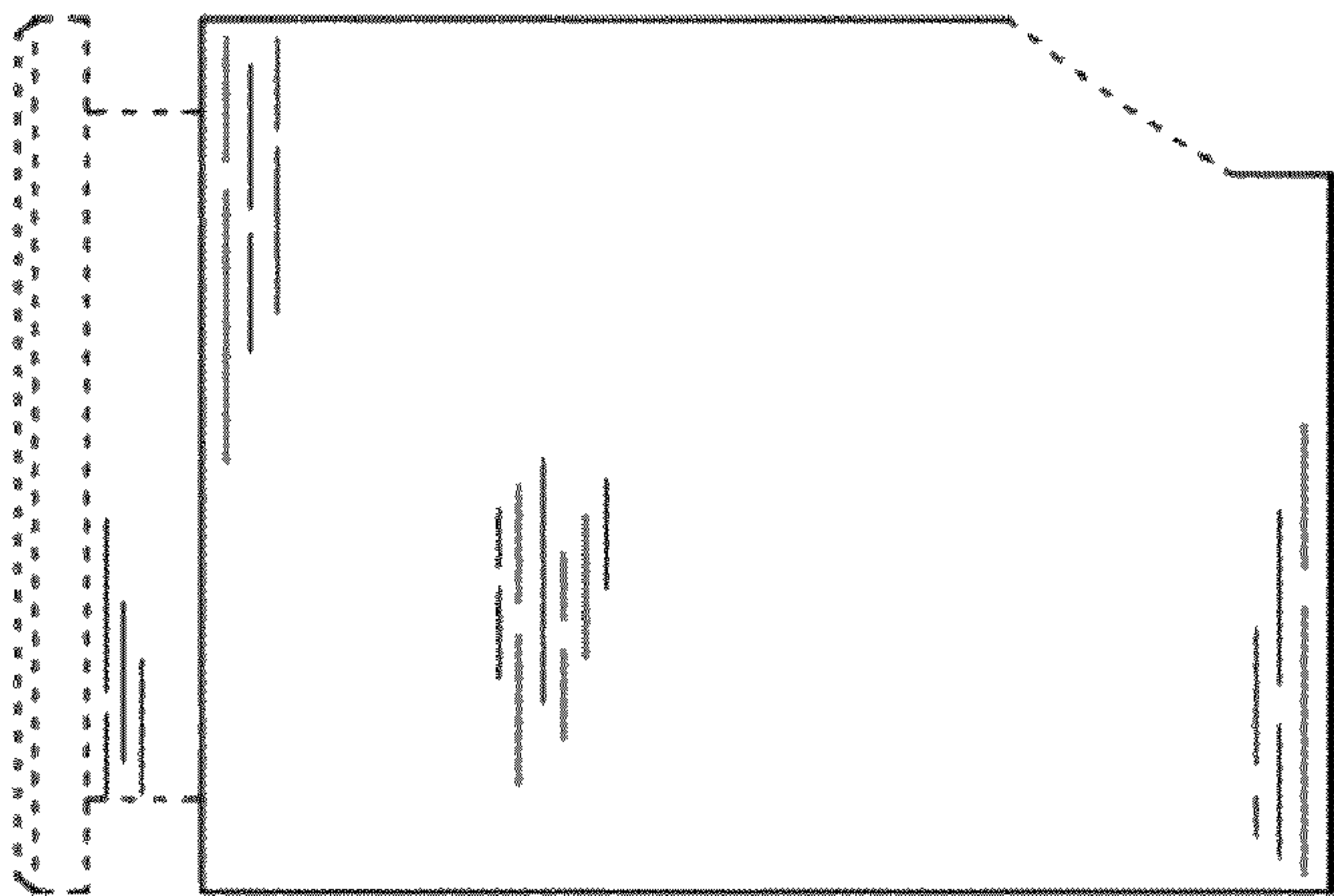


FIG. 5

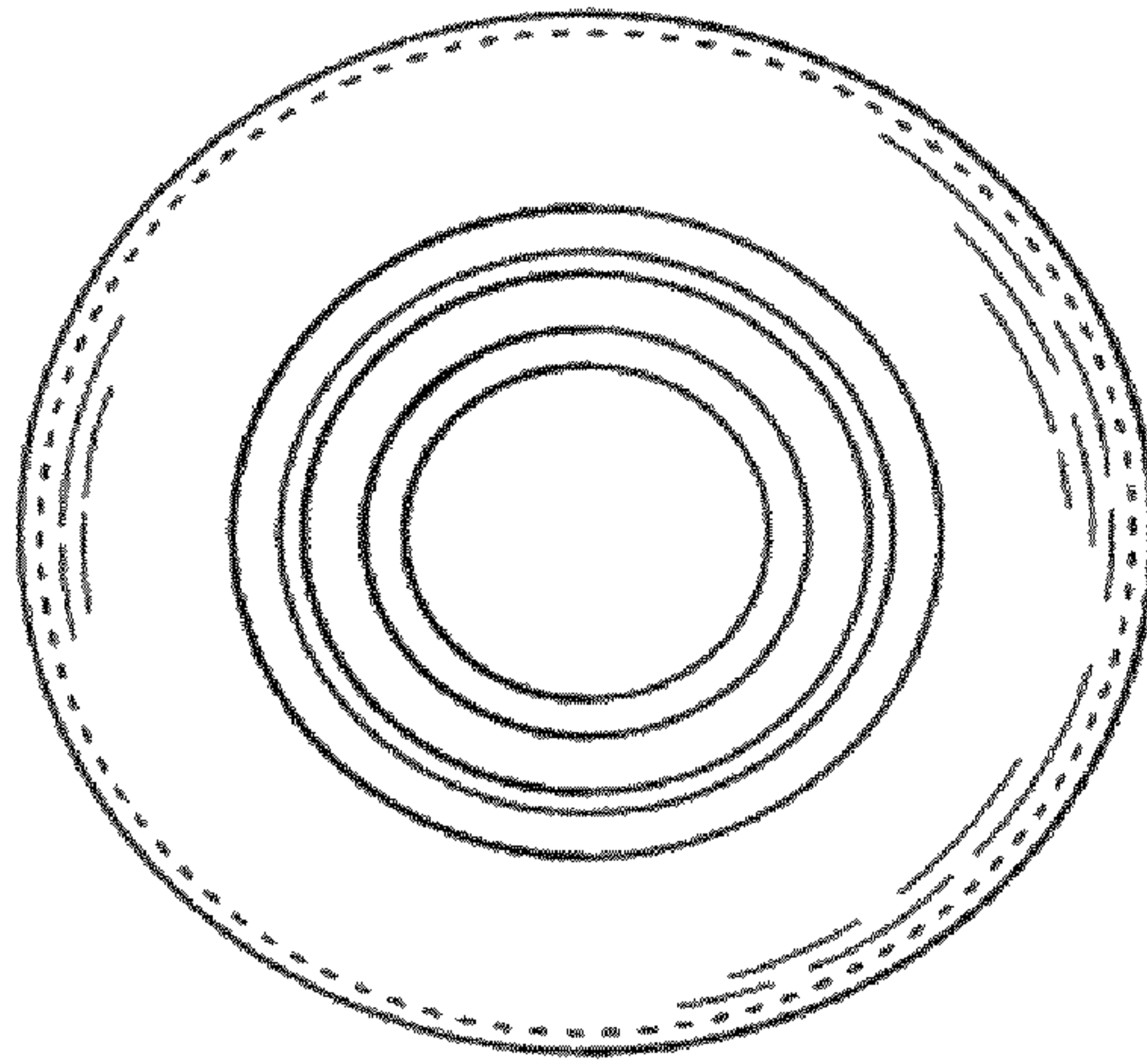


FIG. 6

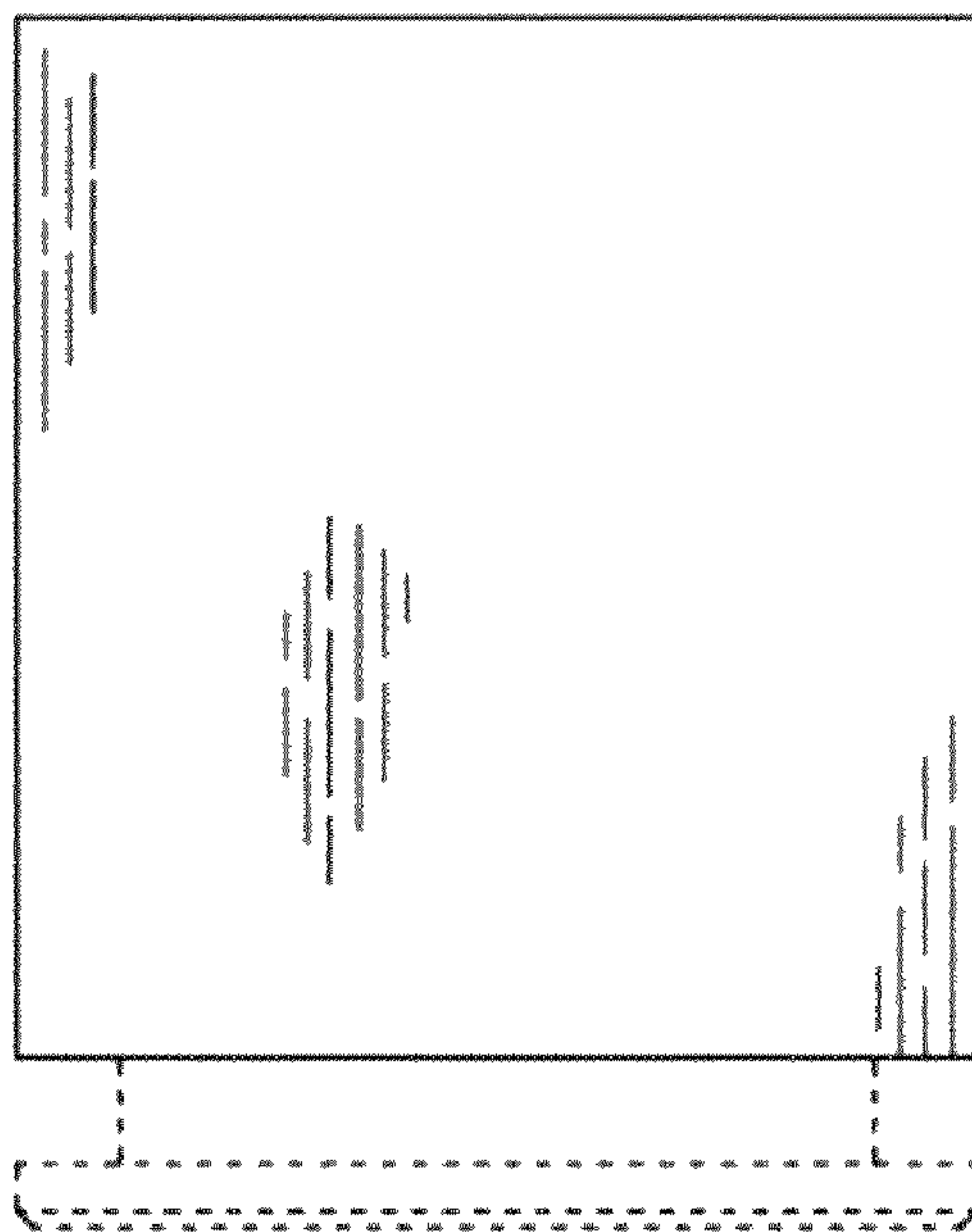


FIG. 7

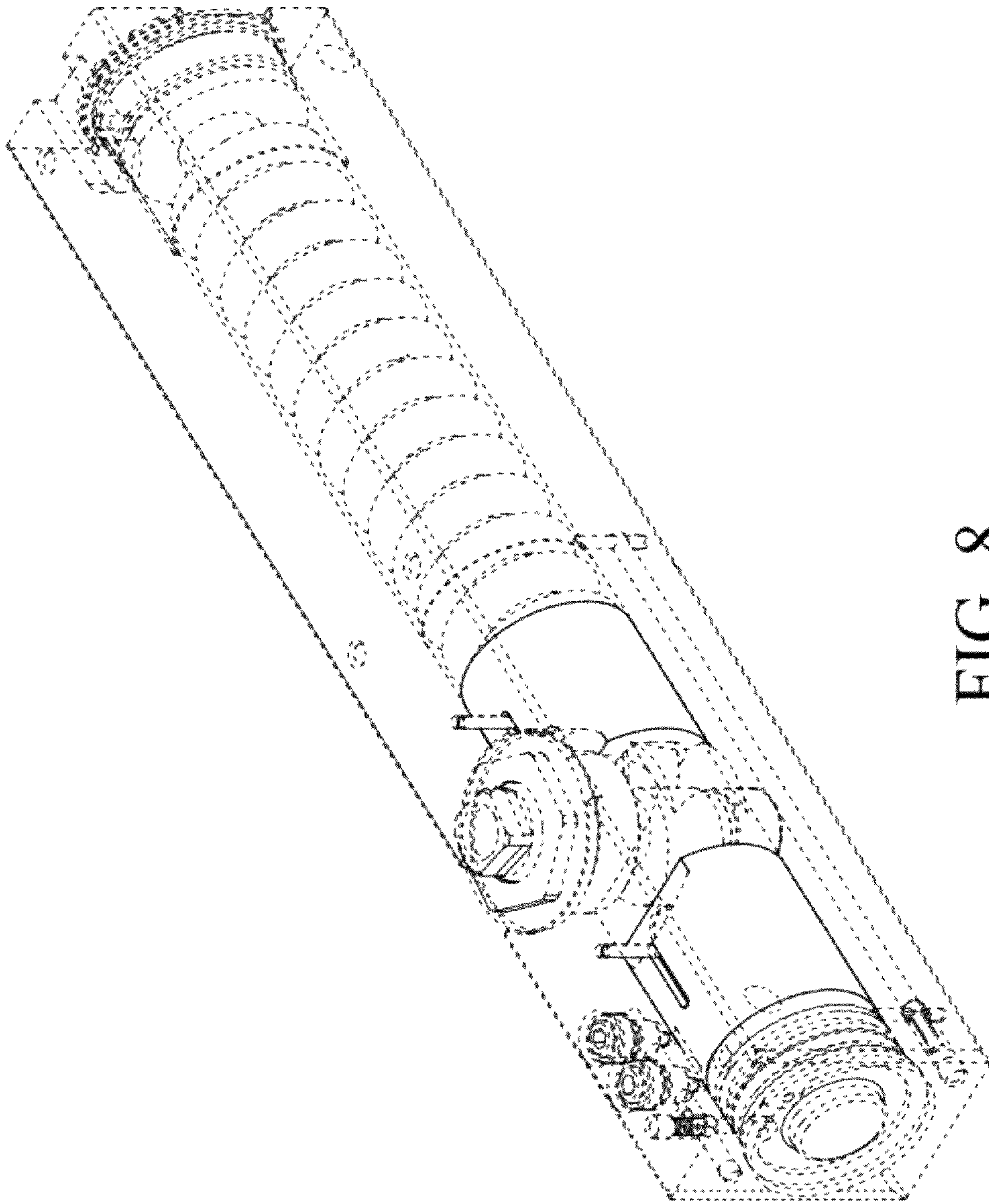


FIG. 8