

US00D664829S

(12) **United States Design Patent**
DeVries et al.

(10) **Patent No.:** **US D664,829 S**

(45) **Date of Patent:** **** Aug. 7, 2012**

(54) **TENSION ADJUSTMENT LOCK-OUT
DEVICE FOR A CONVEYOR BELT CLEANER**

(75) Inventors: **Brett E. DeVries**, Comstock Park, MI
(US); **Carl J. Hessler**, Rockford, MI
(US); **Douglas J. Timmer**, Zeeland, MI
(US)

(73) Assignee: **Flexible Steel Lacing Company**,
Downers Grove, IL (US)

(**) Term: **14 Years**

(21) Appl. No.: **29/367,465**

(22) Filed: **Aug. 9, 2010**

(51) **LOC (9) Cl.** **08-07**

(52) **U.S. Cl.** **D8/331**

(58) **Field of Classification Search** D8/14,
D8/330-331, 333, 339, 342-344, 354, 499;
70/178, 212, 229, 232; 198/499

See application file for complete search history.

(56) **References Cited**

U.S. PATENT DOCUMENTS

| | | | | |
|-----------|------|---------|-----------|---------|
| 602,982 | A | 4/1898 | Ennis | |
| 3,782,146 | A | 1/1974 | Franke | |
| D279,351 | S * | 6/1985 | Lassiter | D8/331 |
| D281,220 | S * | 11/1985 | Lassiter | D8/331 |
| D334,527 | S * | 4/1993 | Fink | D8/333 |
| 5,214,945 | A | 6/1993 | Martin | |
| 5,332,251 | A * | 7/1994 | Farquhar | 280/507 |
| 5,469,724 | A | 11/1995 | Pollard | |
| 5,727,670 | A | 3/1998 | Johnson | |
| 5,743,548 | A | 4/1998 | Gaspard | |
| D423,322 | S * | 4/2000 | Stover | D8/331 |
| 6,044,673 | A * | 4/2000 | Jefferson | 70/212 |
| 6,324,877 | B2 * | 12/2001 | Neeley | 70/175 |
| 6,736,652 | B1 * | 5/2004 | Slough | 439/133 |

| | | | | |
|--------------|------|--------|----------------|---------|
| 6,994,106 | B1 * | 2/2006 | Hackley et al. | 137/385 |
| 7,216,756 | B2 | 5/2007 | Swinderman | |
| 7,428,960 | B2 | 9/2008 | Hall | |
| 7,549,532 | B2 | 6/2009 | Ostman | |
| D596,479 | S * | 7/2009 | Newman et al. | D8/331 |
| 2009/0120510 | A1 * | 5/2009 | Evans et al. | 137/383 |
| 2009/0158791 | A1 * | 6/2009 | Hudman et al. | 70/232 |

FOREIGN PATENT DOCUMENTS

GB 2 268 561 A 1/1994

* cited by examiner

Primary Examiner — Philip S Hyder

Assistant Examiner — Roselynn Cody

(74) *Attorney, Agent, or Firm* — Fitch Even Tabin &
Flannery, LLP

(57) **CLAIM**

We claim the ornamental design for a tension adjustment lock-out device for a conveyor belt cleaner, as shown and described.

DESCRIPTION

FIG. 1 is a perspective view of a tension adjustment lock-out device for a conveyor belt cleaner, showing my new design; FIG. 2 is a front elevational view thereof; FIG. 3 is a rear elevational view thereof; FIG. 4 is a left side elevational view thereof; FIG. 5 is a right side elevational view thereof; FIG. 6 is a top plan view thereof; FIG. 7 is a bottom plan view thereof; and, FIG. 8 is a perspective view of the tension adjustment lock-out device for a conveyor belt cleaner of FIGS. 1-7 shown in its environment of use on a tension adjustment device of a conveyor belt cleaner.

The broken lines of FIG. 8 are for illustrative purposes only and form no part of the claimed design.

1 Claim, 5 Drawing Sheets

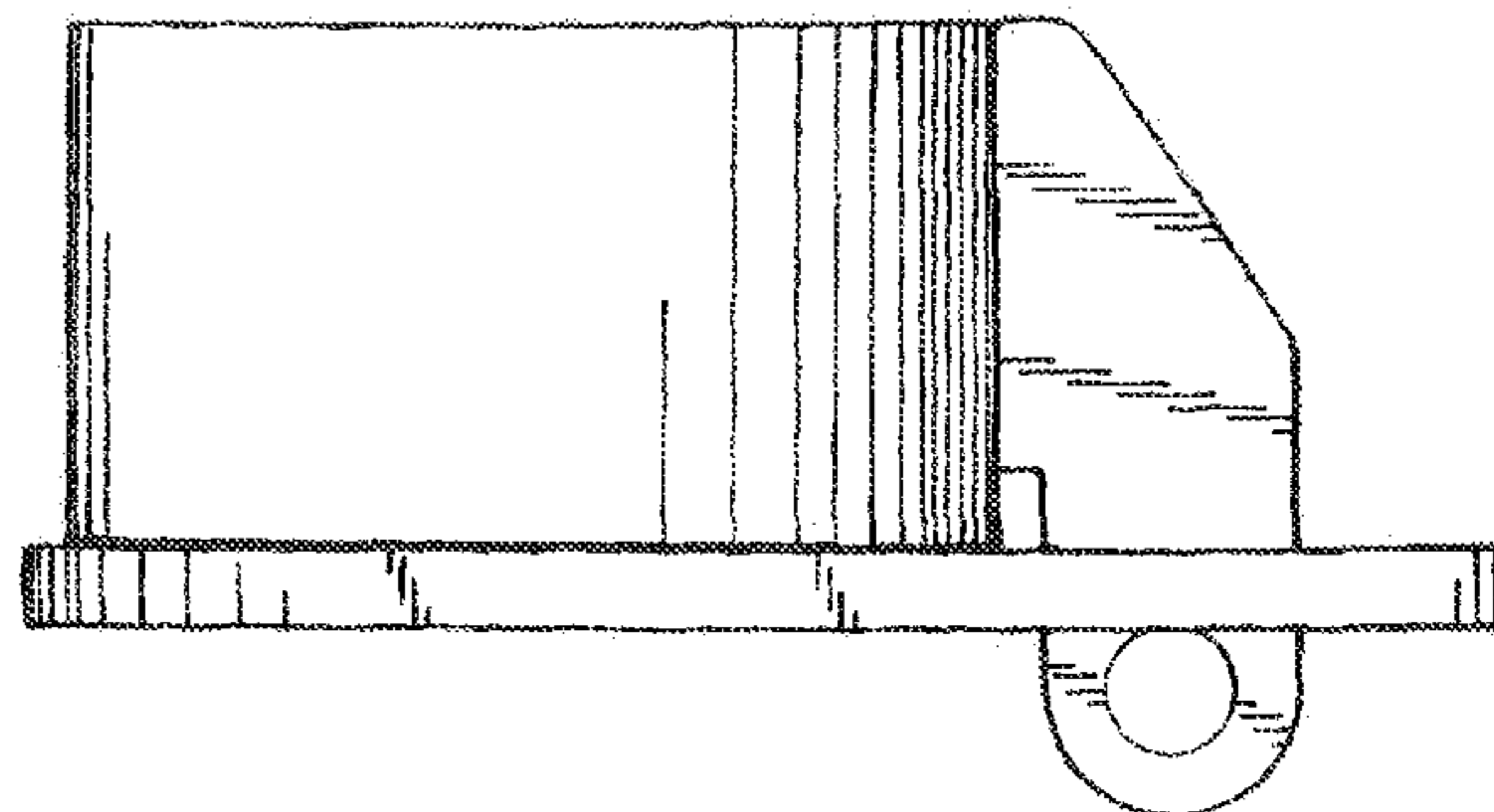
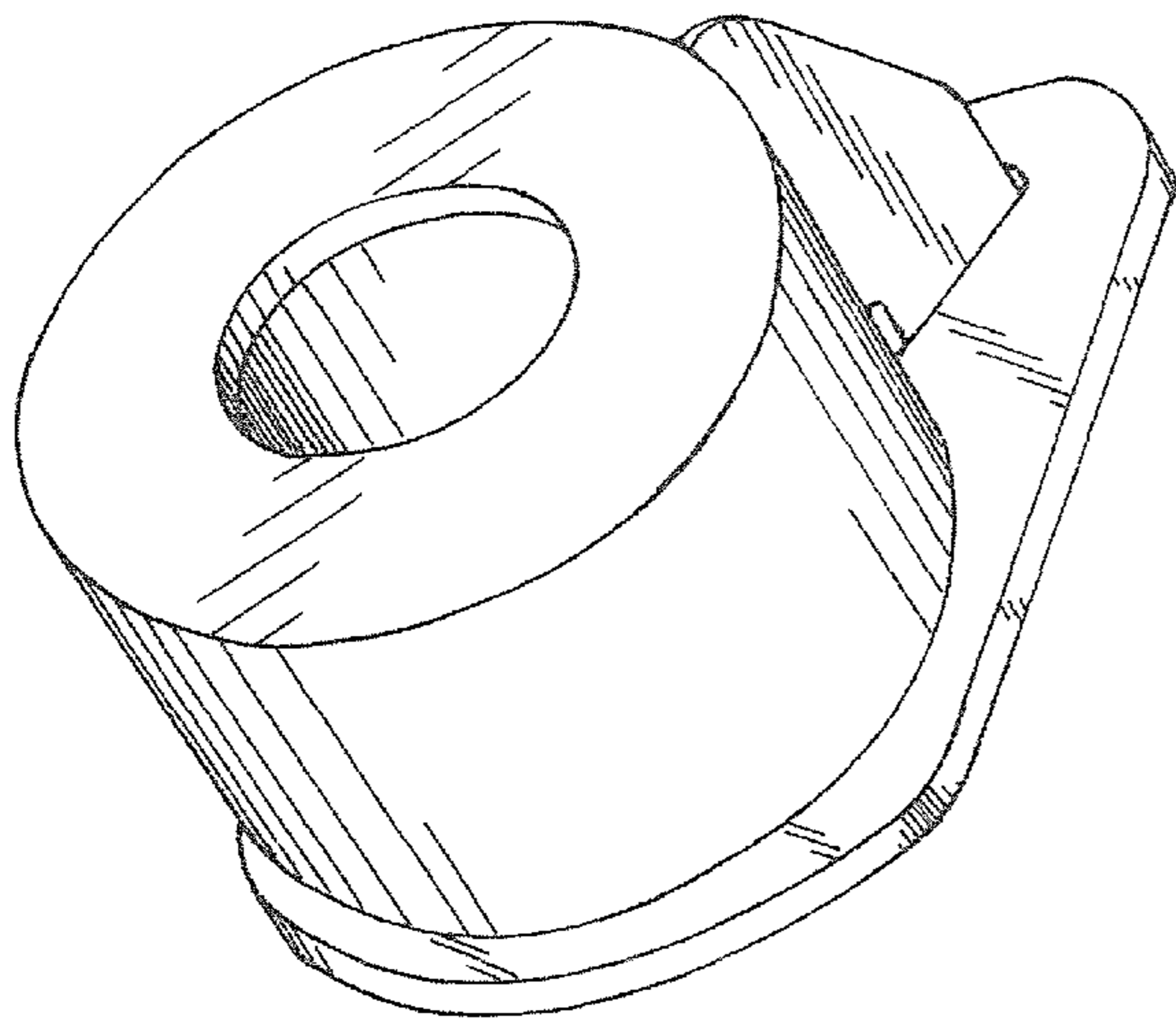


FIG. 1

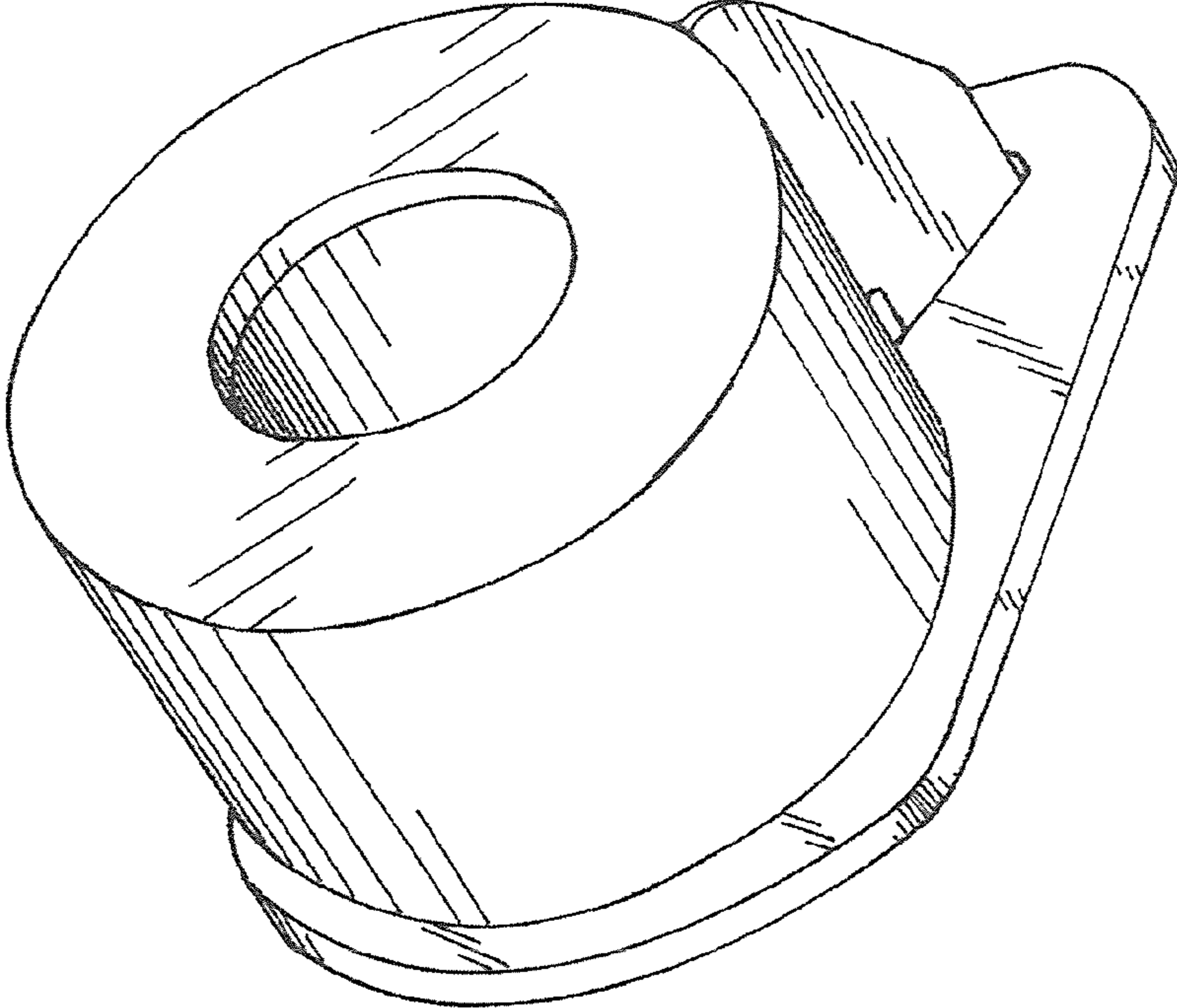


FIG. 2

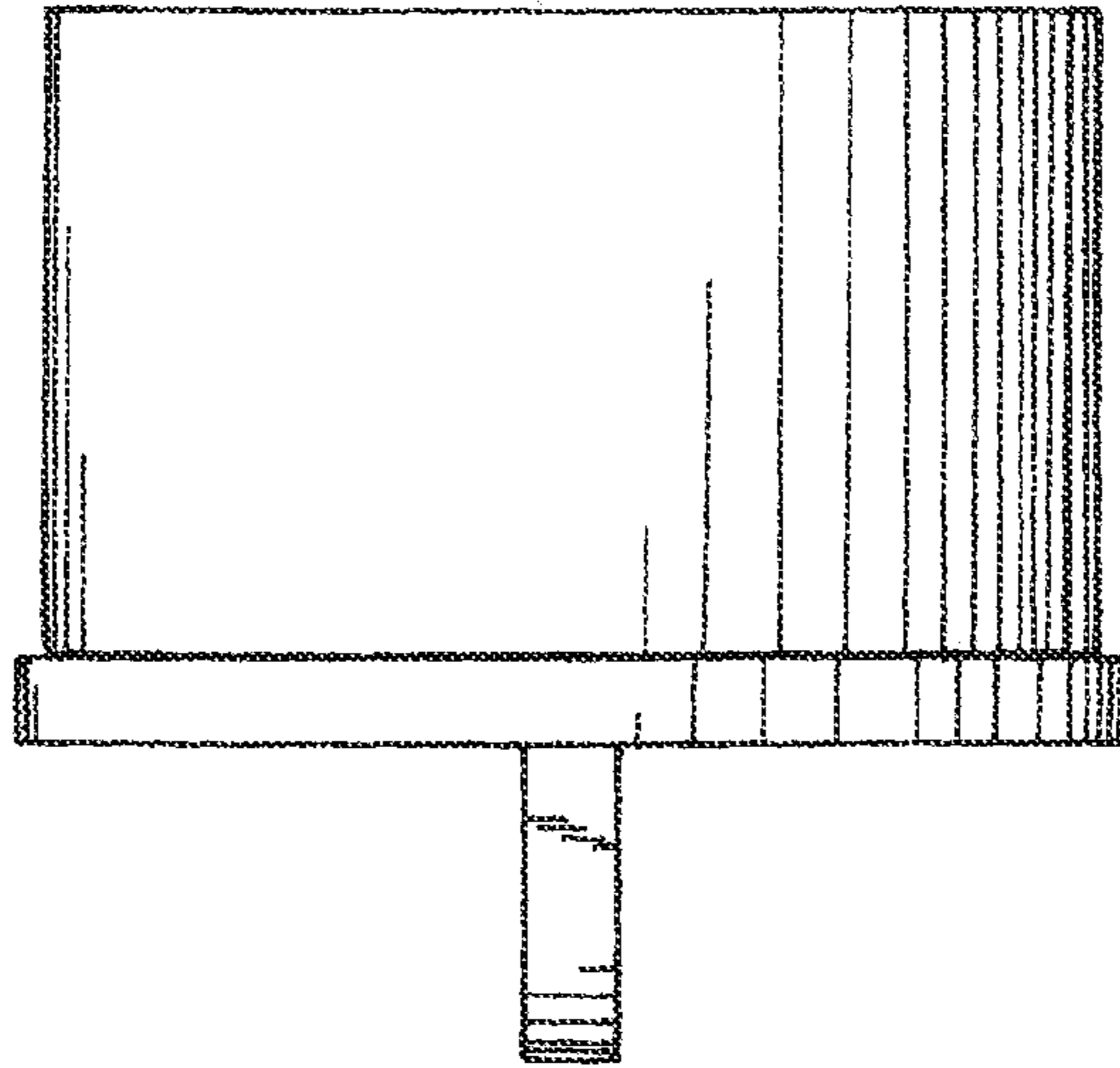


FIG. 3

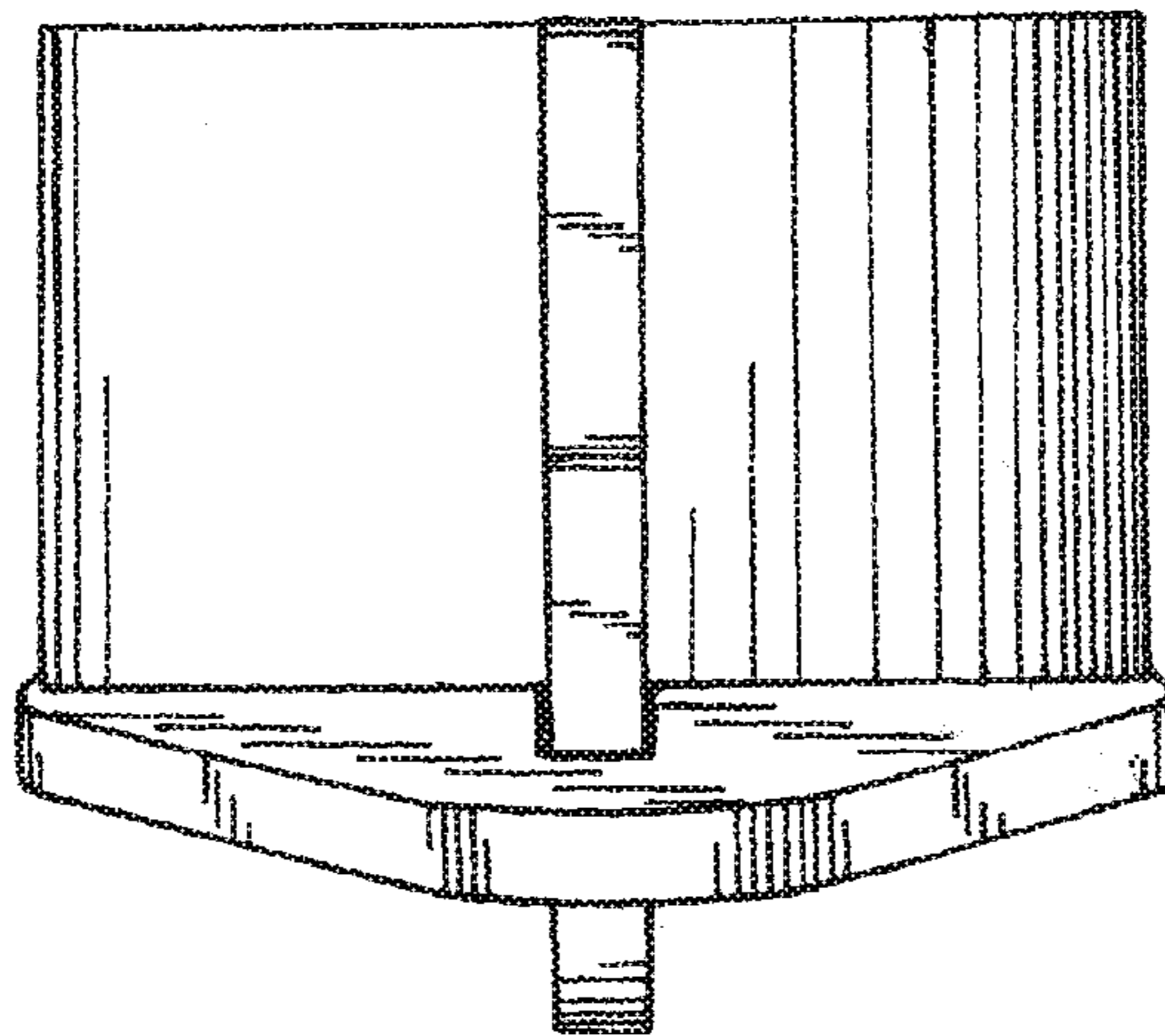


FIG. 4

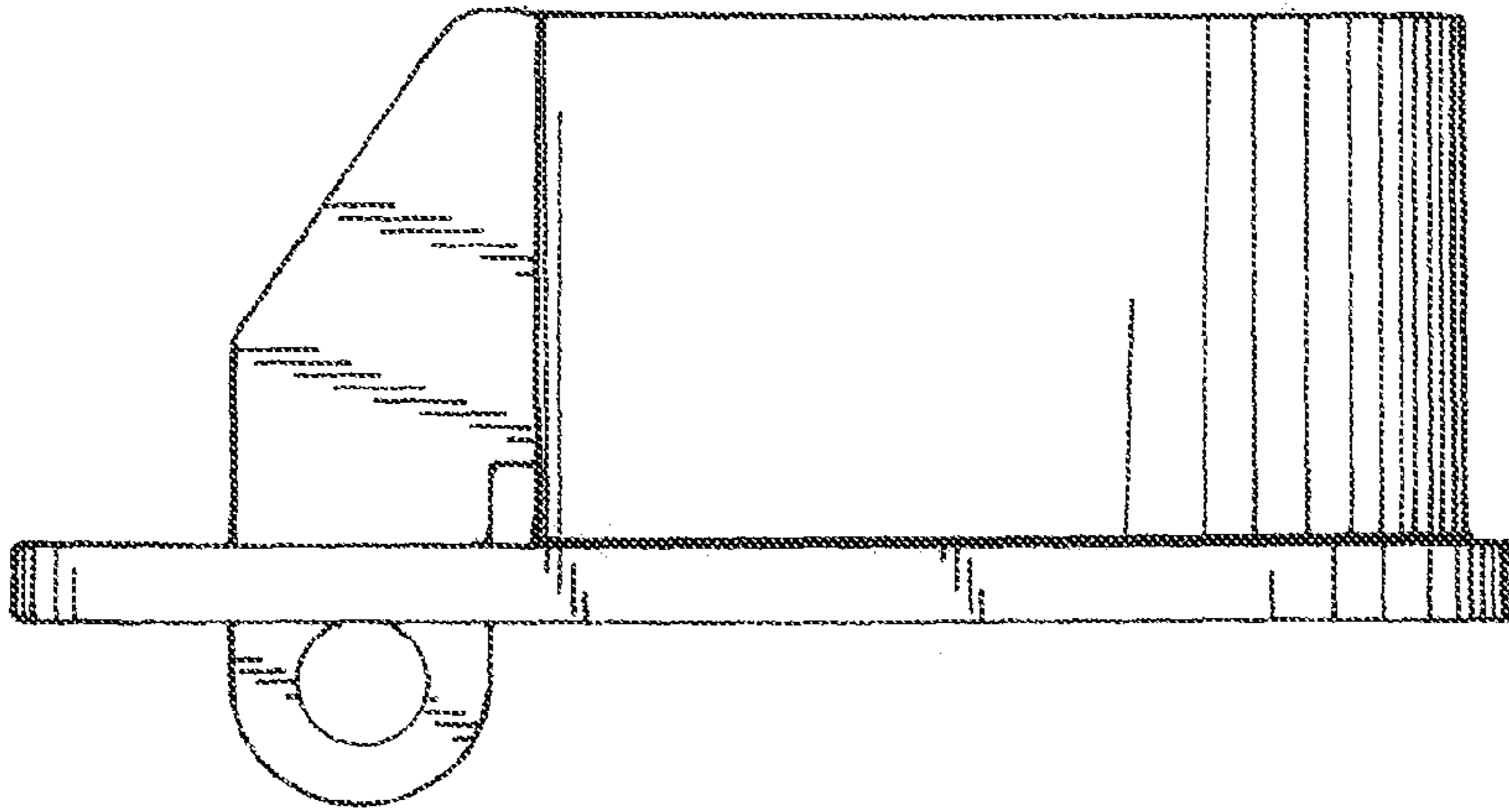


FIG. 5

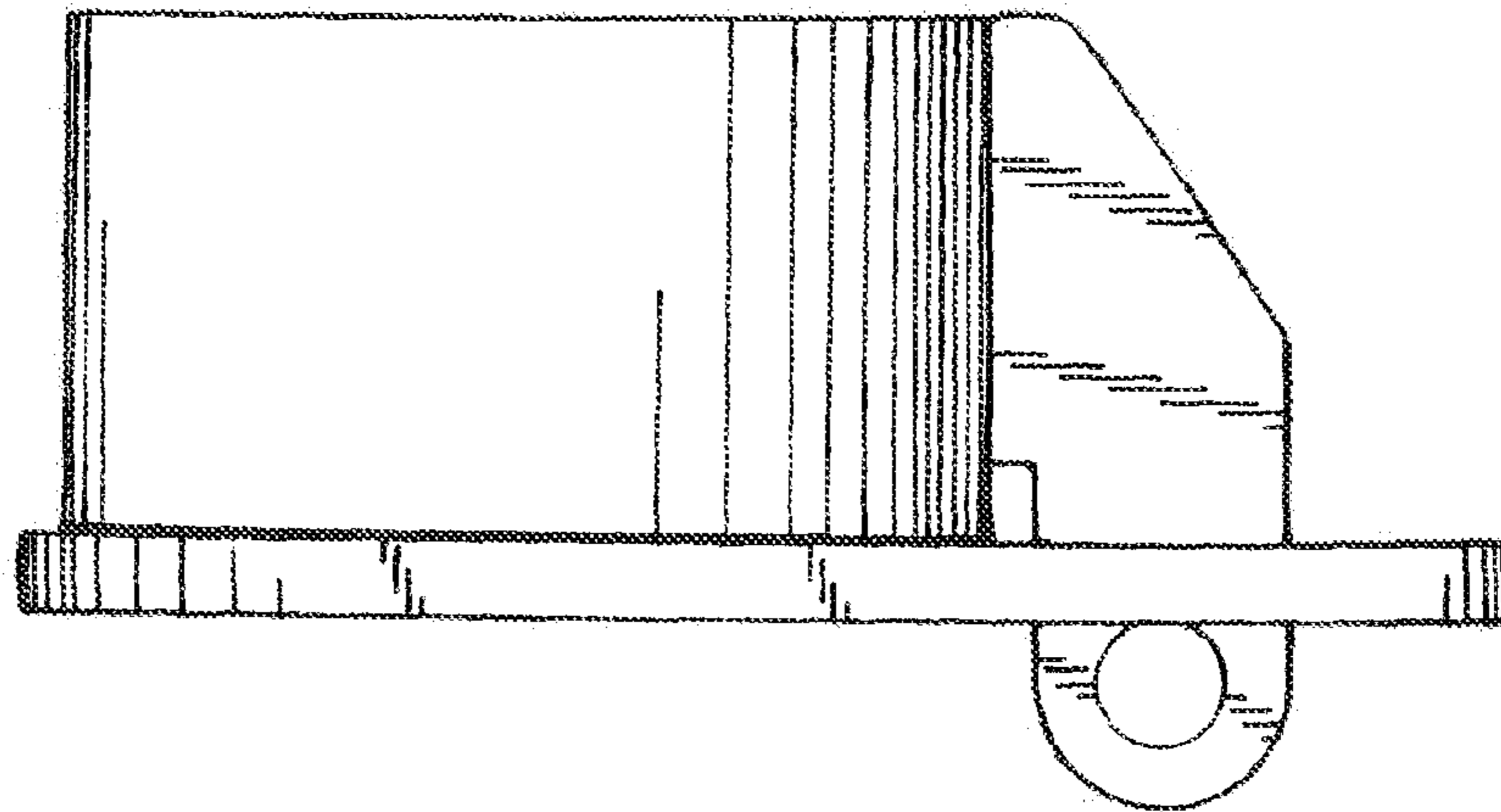


FIG. 6

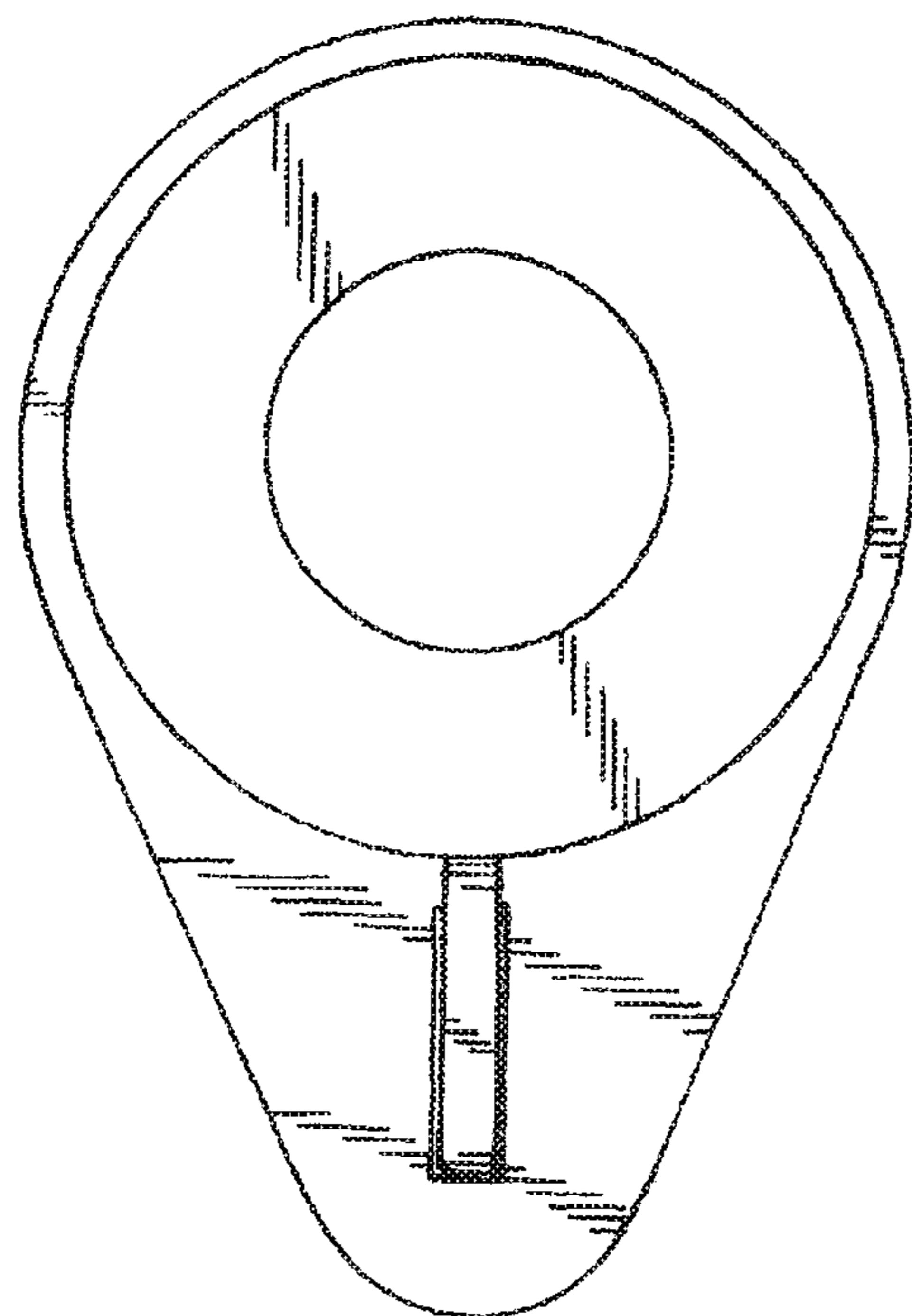


FIG. 7

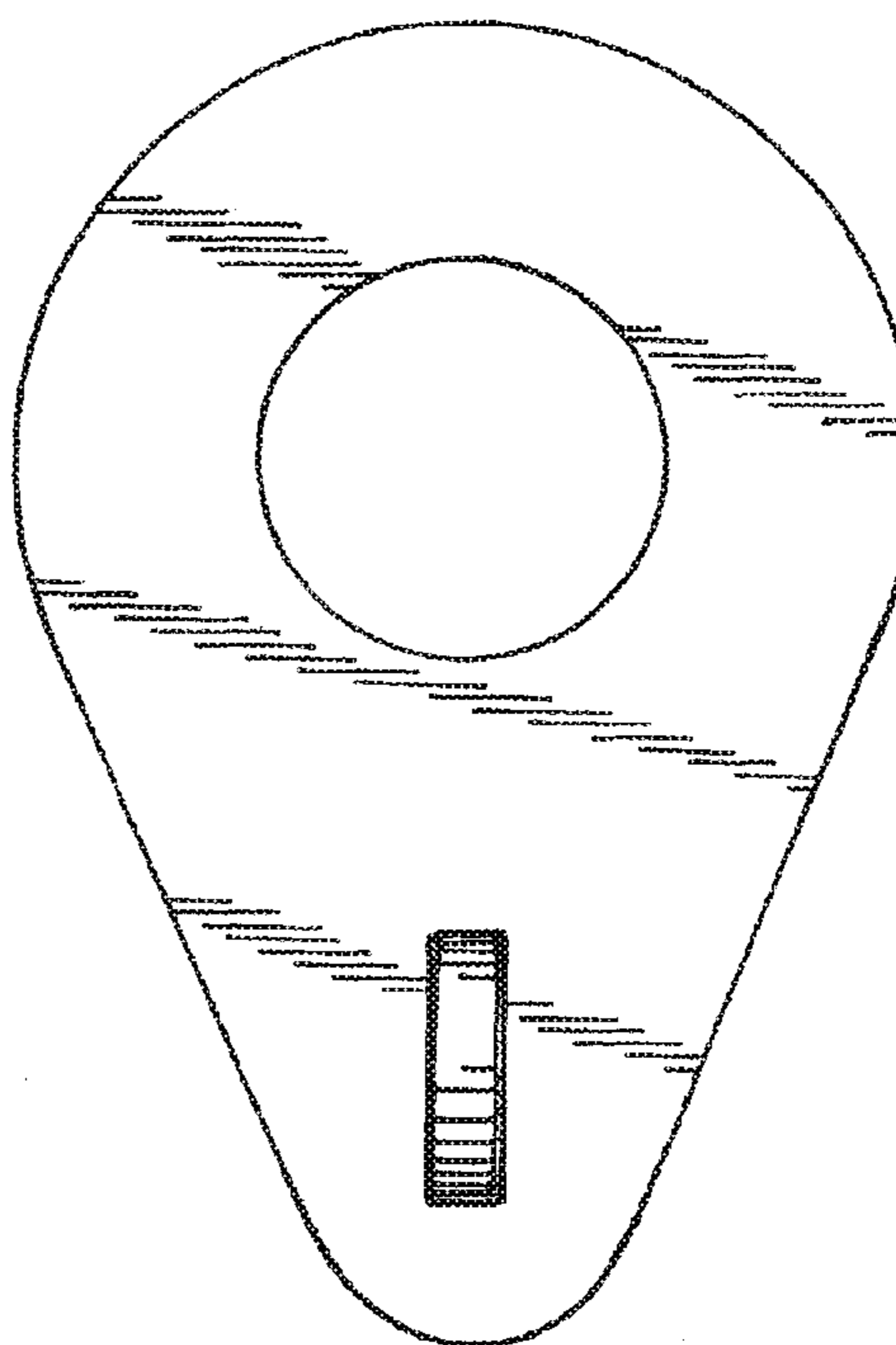


FIG. 8

