

US00D664822S

(12) **United States Design Patent**
Romine

(10) **Patent No.:** **US D664,822 S**
(45) **Date of Patent:** **** Aug. 7, 2012**

(54) **LEVEL SUPPORT CLAMP**

(76) Inventor: **Barry Kent Romine**, Hampshire, TN
(US)

(**) Term: **14 Years**

(21) Appl. No.: **29/398,123**

(22) Filed: **Jul. 26, 2011**

Related U.S. Application Data

(63) Continuation-in-part of application No. 29/380,120,
filed on Nov. 30, 2010, now Pat. No. Des. 642,040.

(51) **LOC (9) Cl.** **08-05**

(52) **U.S. Cl.** **D8/72**

(58) **Field of Classification Search** D8/71-74,
D8/394, 395, 397-399, 354, 355, 59, 349;
248/229.16, 62, 63, 72, 74.1, 689, 124.2,
248/65; 33/372, 347, 370; 24/555, 563,
24/133; 269/3, 4, 6, 143, 165, 240, 243,
269/246-249, 254 R, 147-149; 29/256,
29/257, 276; D15/140; D24/143, 135, 227;
408/103, 104-109; 81/487; D6/400; D10/69
See application file for complete search history.

5,666,702 A	9/1997	Ming-Chieh	
5,749,151 A	5/1998	Scott et al.	
5,799,404 A	9/1998	Payne	
5,819,425 A	10/1998	Payne	
D510,699 S *	10/2005	Crain et al.	D8/395
D516,904 S	3/2006	Kendrick	
7,059,059 B1	6/2006	Ames	
D535,743 S	1/2007	Williams	
7,243,431 B2	7/2007	Godwin	
D570,198 S	6/2008	Mamula	
7,562,462 B2	7/2009	Gentleman et al.	
D597,666 S *	8/2009	George et al.	D24/135
D611,513 S	3/2010	Coburn	
D617,002 S *	6/2010	Lundkvist	D24/227
D619,444 S *	7/2010	Oyegoke	D8/349
D636,661 S *	4/2011	Marmas	D8/395
7,918,002 B2 *	4/2011	Kissel	29/276
7,966,700 B2 *	6/2011	Vermillion	24/555
8,001,668 B2 *	8/2011	Coffman et al.	269/3
8,061,051 B2 *	11/2011	Allemand	33/370
8,061,070 B2 *	11/2011	Chamandy	24/555
8,096,340 B2 *	1/2012	McCarty et al.	24/555

* cited by examiner

Primary Examiner — David Muller

(57) **CLAIM**

The ornamental design for a level support clamp, as shown and described.

DESCRIPTION

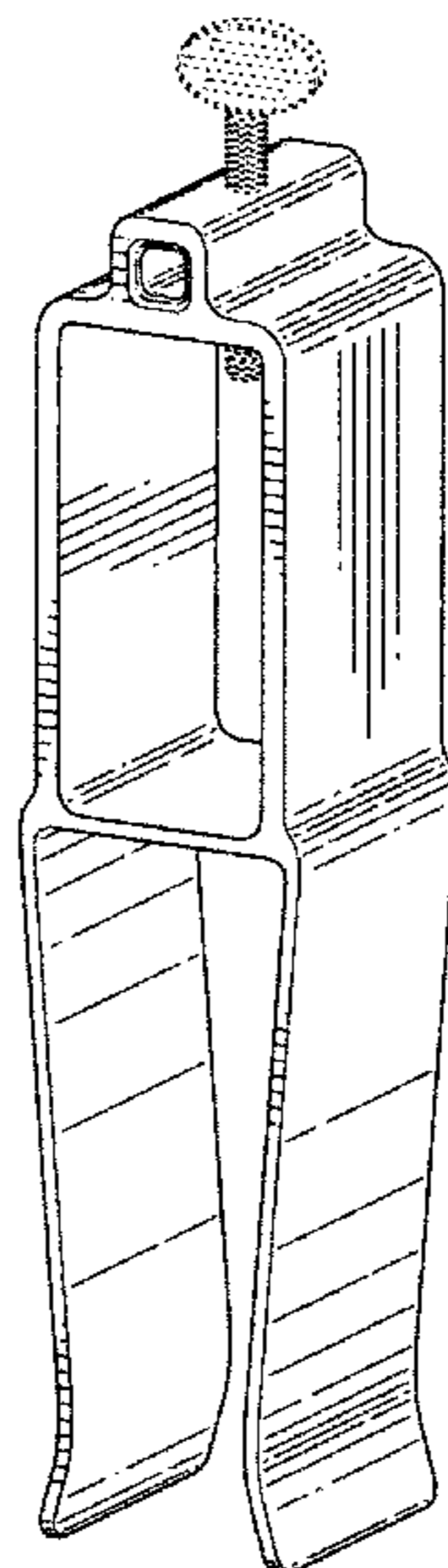
FIG. 1 is a front perspective view of a level support clamp showing my new design;
FIG. 2 is a front elevational view thereof;
FIG. 3 is a left side view thereof, a view from the right side being a mirror image;
FIG. 4 is a top plan view thereof;
FIG. 5 is a bottom plan view thereof; and,
FIG. 6 is an illustrational view thereof in use.
The broken lines showing of parts of the drawings is included for purposes of illustrating uses and environment and forms no part of the claimed design.

1 Claim, 4 Drawing Sheets

(56) **References Cited**

U.S. PATENT DOCUMENTS

1,200,410 A	10/1916	Chemrinsky	
1,229,916 A	6/1917	Duncan	
2,600,980 A	6/1952	Eyre	
D276,272 S	11/1984	Weissenburger	
D299,112 S	12/1988	Downey	
D306,136 S	2/1990	Lund	
D306,553 S	3/1990	Rumpel	
D309,255 S	7/1990	Karow, Jr.	
5,408,752 A	4/1995	Eadens	
D360,053 S *	7/1995	Wilborn et al.	D8/395
D364,799 S	12/1995	Callas	
D375,453 S *	11/1996	Fleck	D8/395
5,581,900 A	12/1996	Payne	



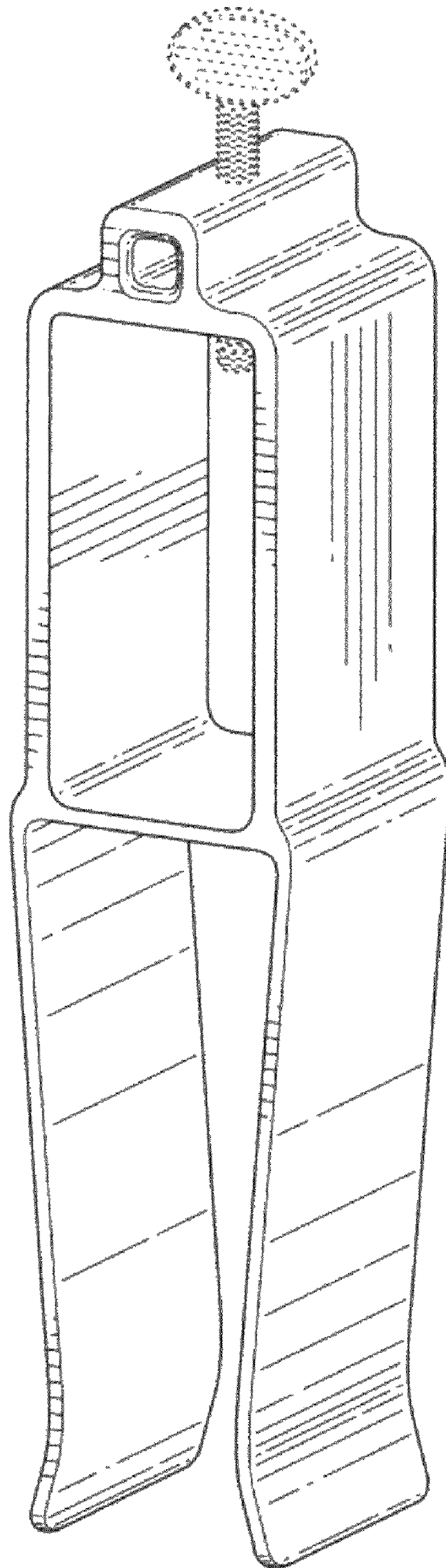


FIG. 1

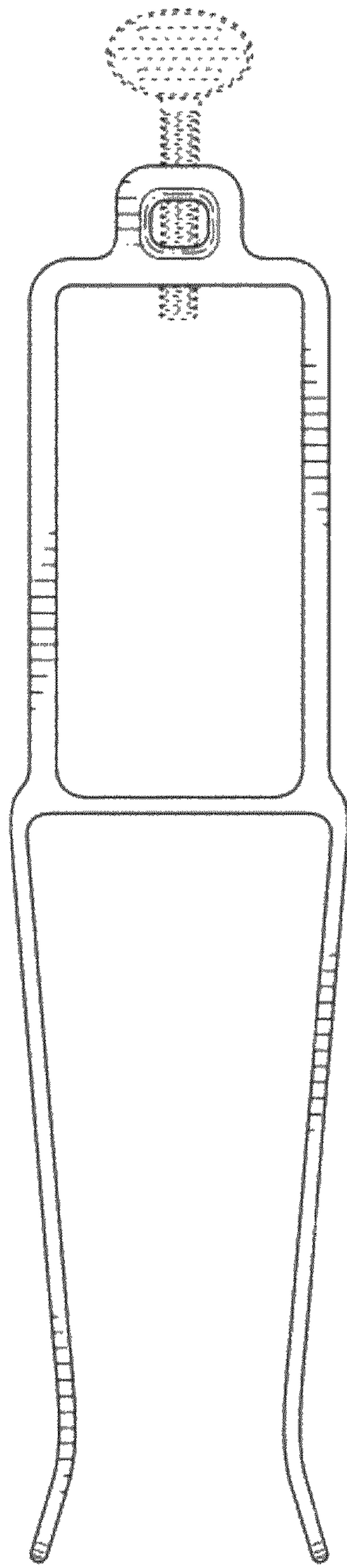


FIG. 2

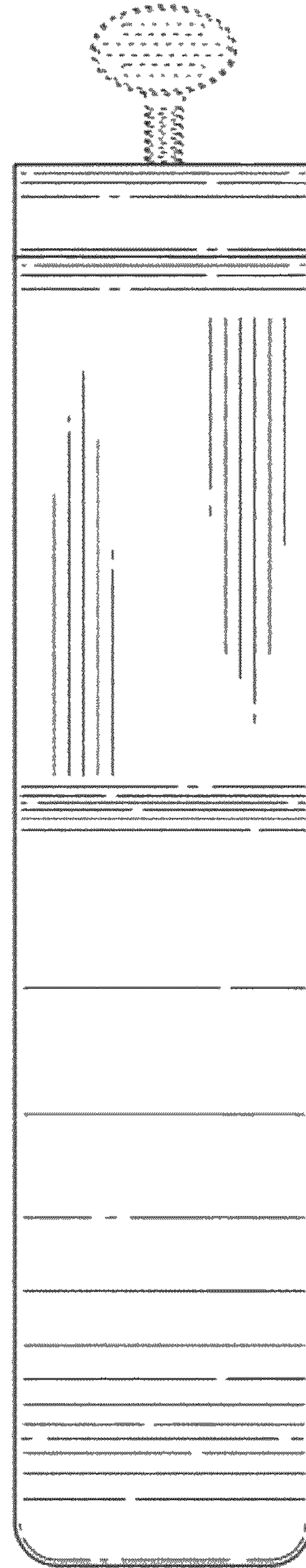


FIG. 3

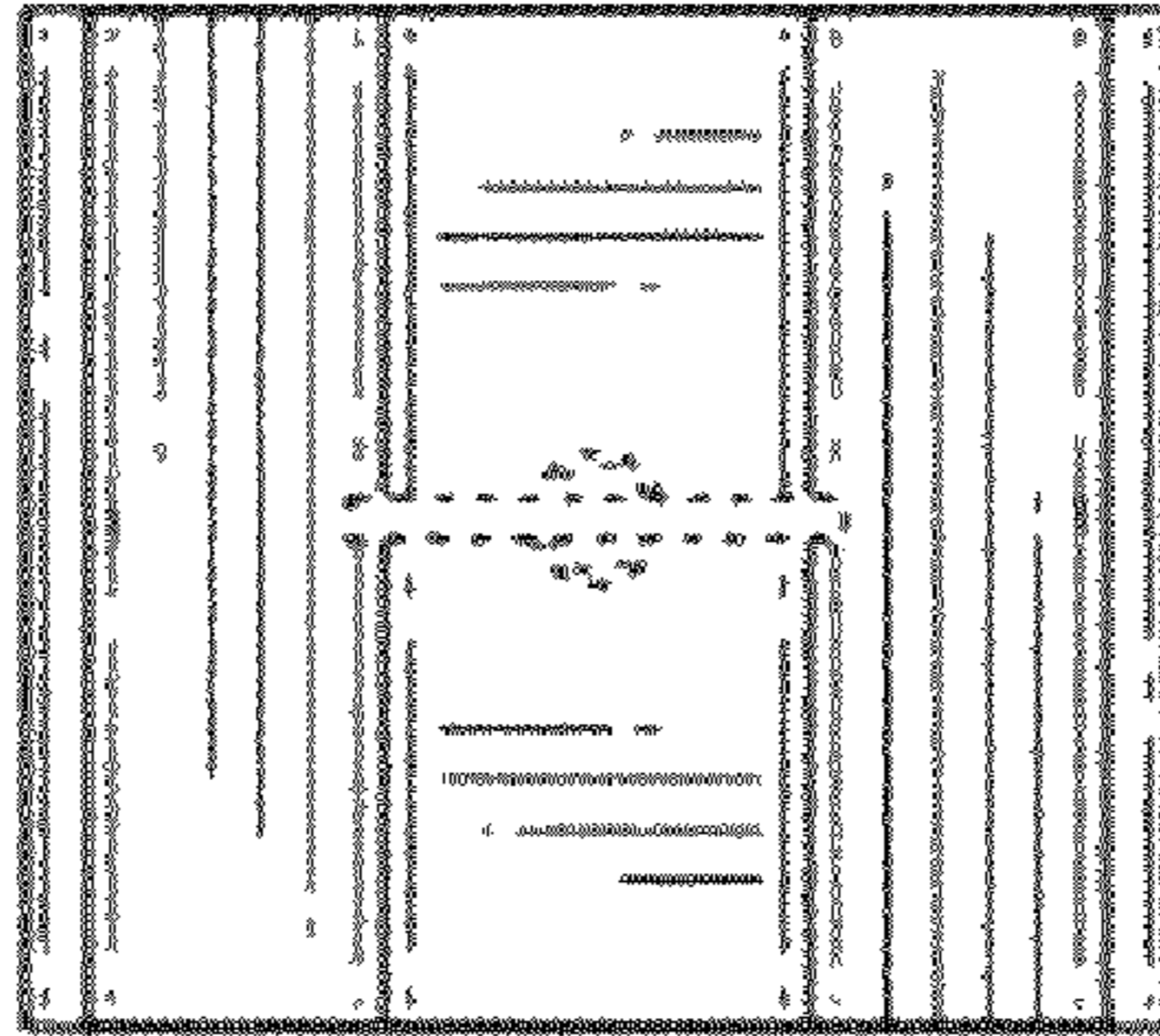


FIG. 4

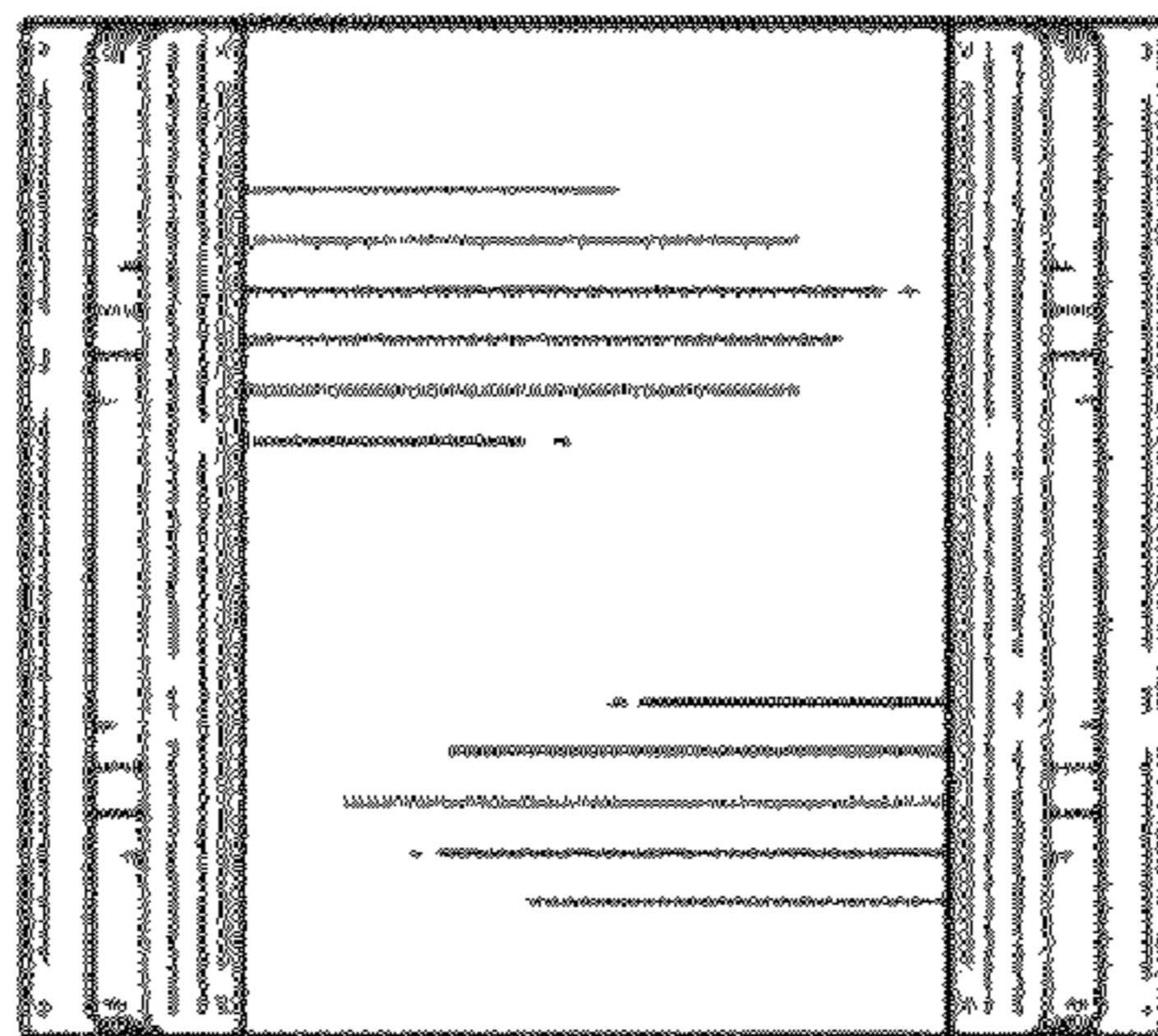


FIG. 5

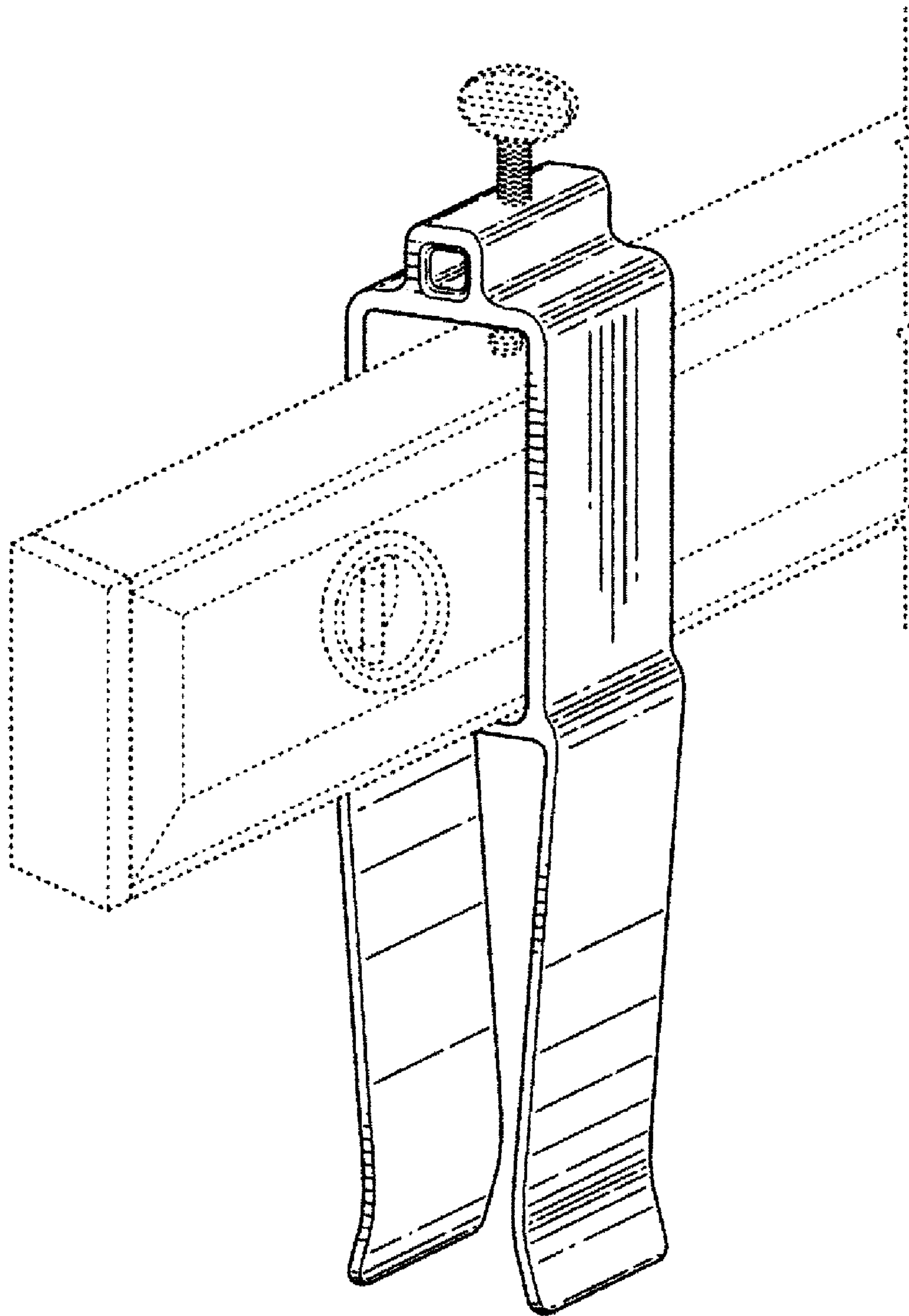


FIG. 6