



US00D664821S

(12) **United States Design Patent**
Welch

(10) **Patent No.:** **US D664,821 S**

(45) **Date of Patent:** **** Aug. 7, 2012**

(54) **UNDERWEAR SHAPED BOTTLE CAP
REMOVER**

Primary Examiner — Garth Rademaker

(74) *Attorney, Agent, or Firm* — David O. Simmons

(76) Inventor: **James Douglas Welch**, Austin, TX (US)

(57) **CLAIM**

The ornamental design for an underwear shaped bottle cap remover, as shown and described.

(**) Term: **14 Years**

(21) Appl. No.: **29/395,246**

DESCRIPTION

(22) Filed: **Dec. 23, 2011**

(51) **LOC (9) Cl.** **07-99**

(52) **U.S. Cl.** **D8/38**

(58) **Field of Classification Search** D8/14,
D8/16-19, 33-43, 88, 89, 105; 7/113, 151-156;
81/3.07, 3.09, 3.2, 3.27, 3.29, 3.31, 3.35,
81/3.37, 3.4, 3.45, 3.48, 3.49, 3.55

See application file for complete search history.

FIG. 1 is a front, bottom, right side perspective view of an underwear shaped bottle cap remover in accordance with the present invention;

FIG. 2 is a left-side rear top perspective view of the underwear shaped bottle cap remover of FIG. 1, wherein a portion shown in dotted lines being disclaimed from the design;

FIG. 3 is a front view of the underwear shaped bottle cap remover of FIG. 1;

FIG. 4 is a rear view of the underwear shaped bottle cap remover of FIG. 1;

FIG. 5 is a left side view of the underwear shaped bottle cap remover of FIG. 1;

FIG. 6 is a right side view of the underwear shaped bottle cap remover of FIG. 1;

FIG. 7 is a top view of the underwear shaped bottle cap remover of FIG. 1; and,

FIG. 8 is a bottom side view of the underwear shaped bottle cap remover of FIG. 1.

The broken lines shown in FIGS. 1-4 illustrate portions of the underwear shaped bottle cap remover which form no part of the claimed design.

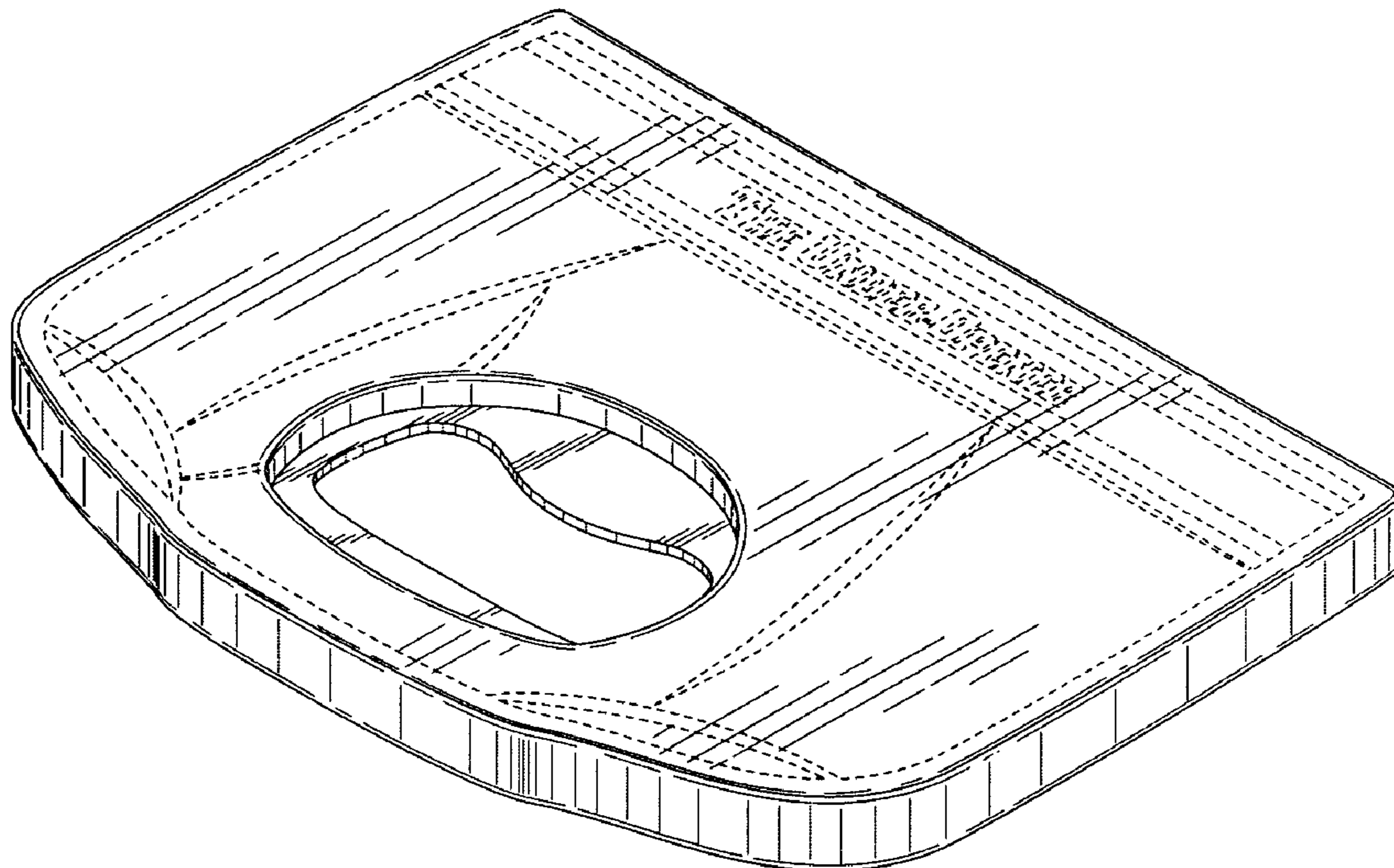
(56) **References Cited**

U.S. PATENT DOCUMENTS

D42,062 S *	12/1911	Roemer et al.	D8/38
D278,024 S *	3/1985	Hoffman et al.	D8/40
D442,448 S *	5/2001	Kelleghan	D8/38
D504,290 S *	4/2005	Lockhart	D8/38
D571,627 S *	6/2008	Bouchard	D8/38
D622,115 S *	8/2010	Smith	D8/18
D627,614 S *	11/2010	Flint	D8/18
D633,351 S *	3/2011	Welch	D8/38
D642,442 S *	8/2011	Gregory et al.	D8/38
D644,075 S *	8/2011	Barnett	D8/18

* cited by examiner

1 Claim, 4 Drawing Sheets



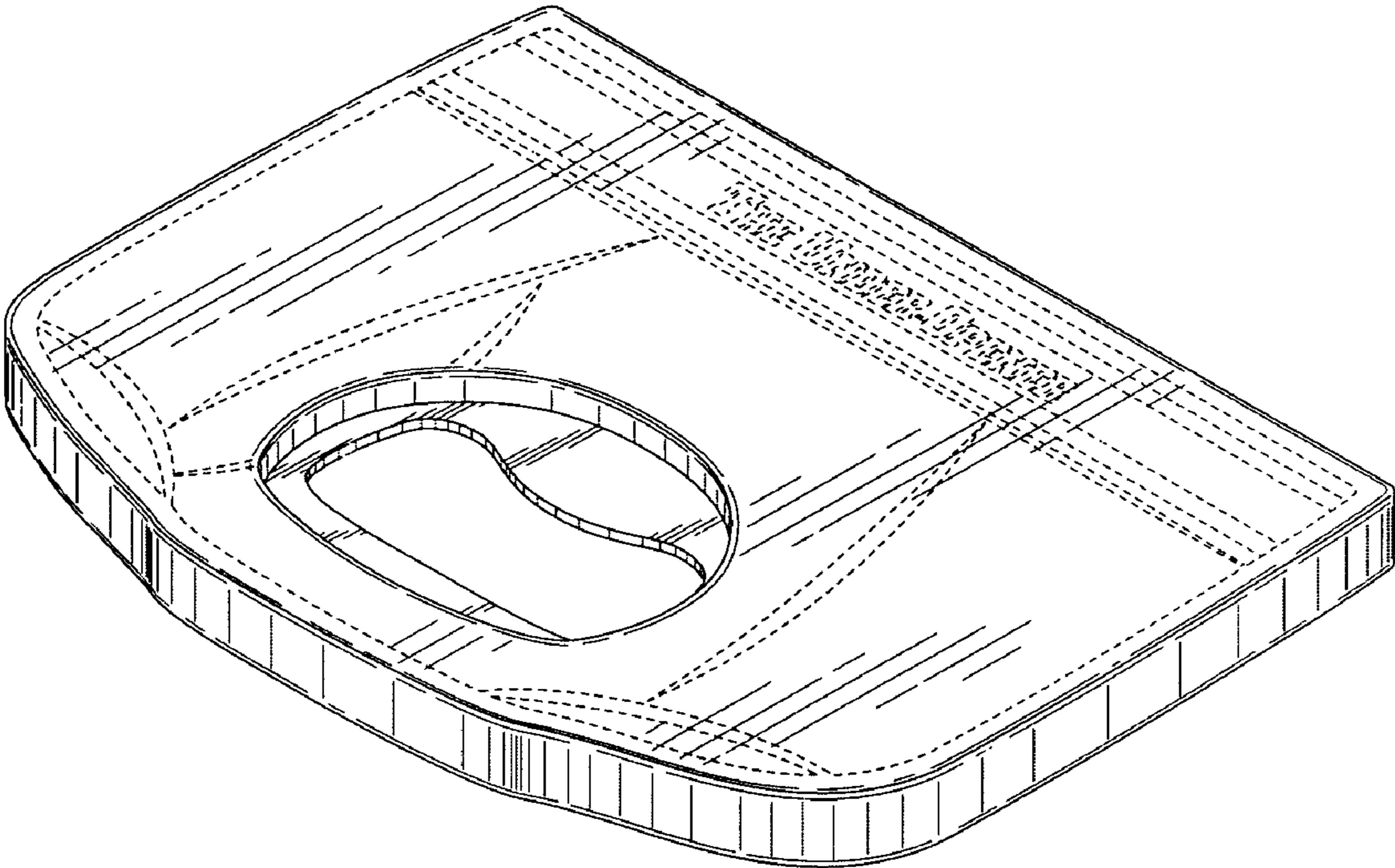


Fig. 1

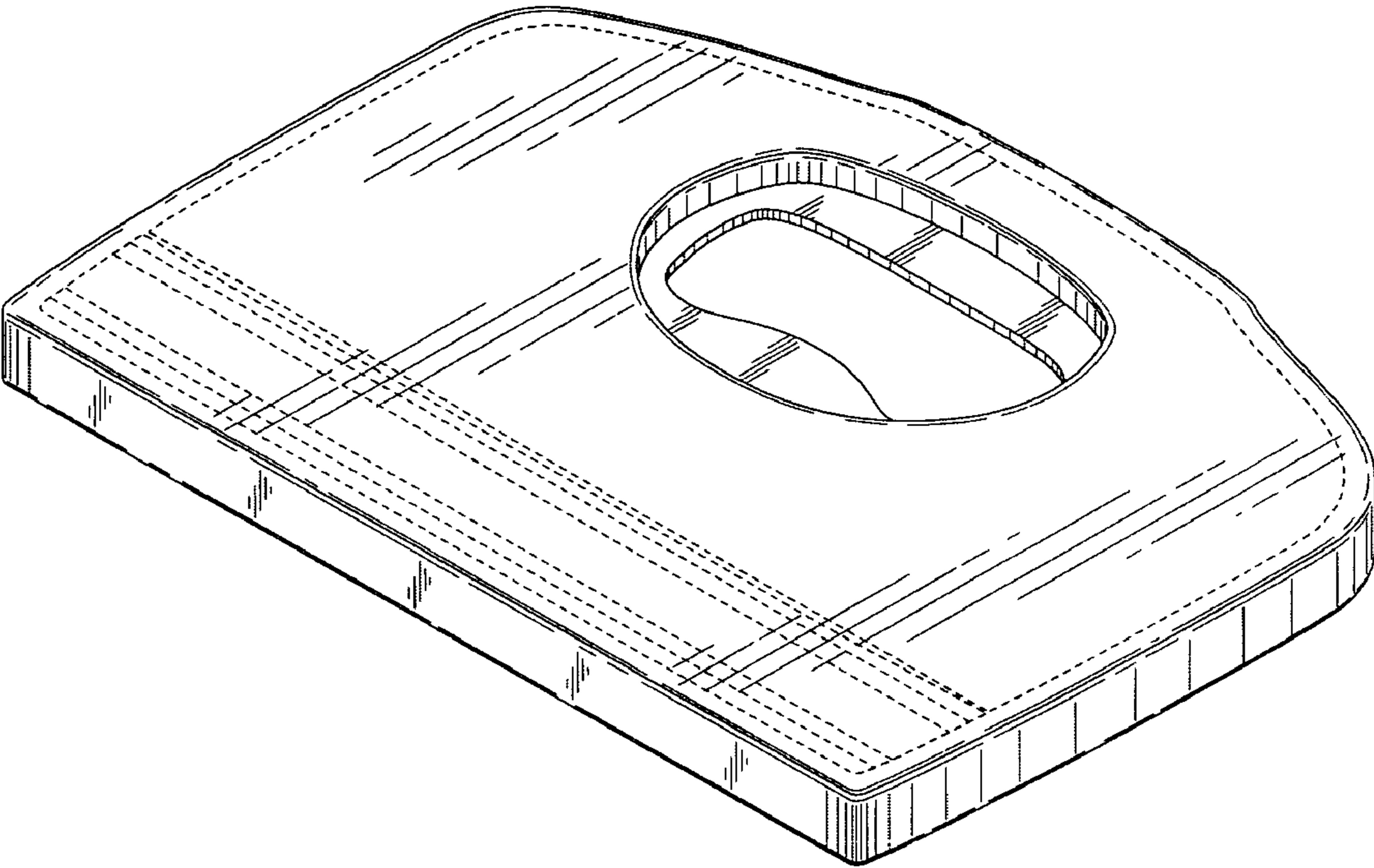


Fig. 2

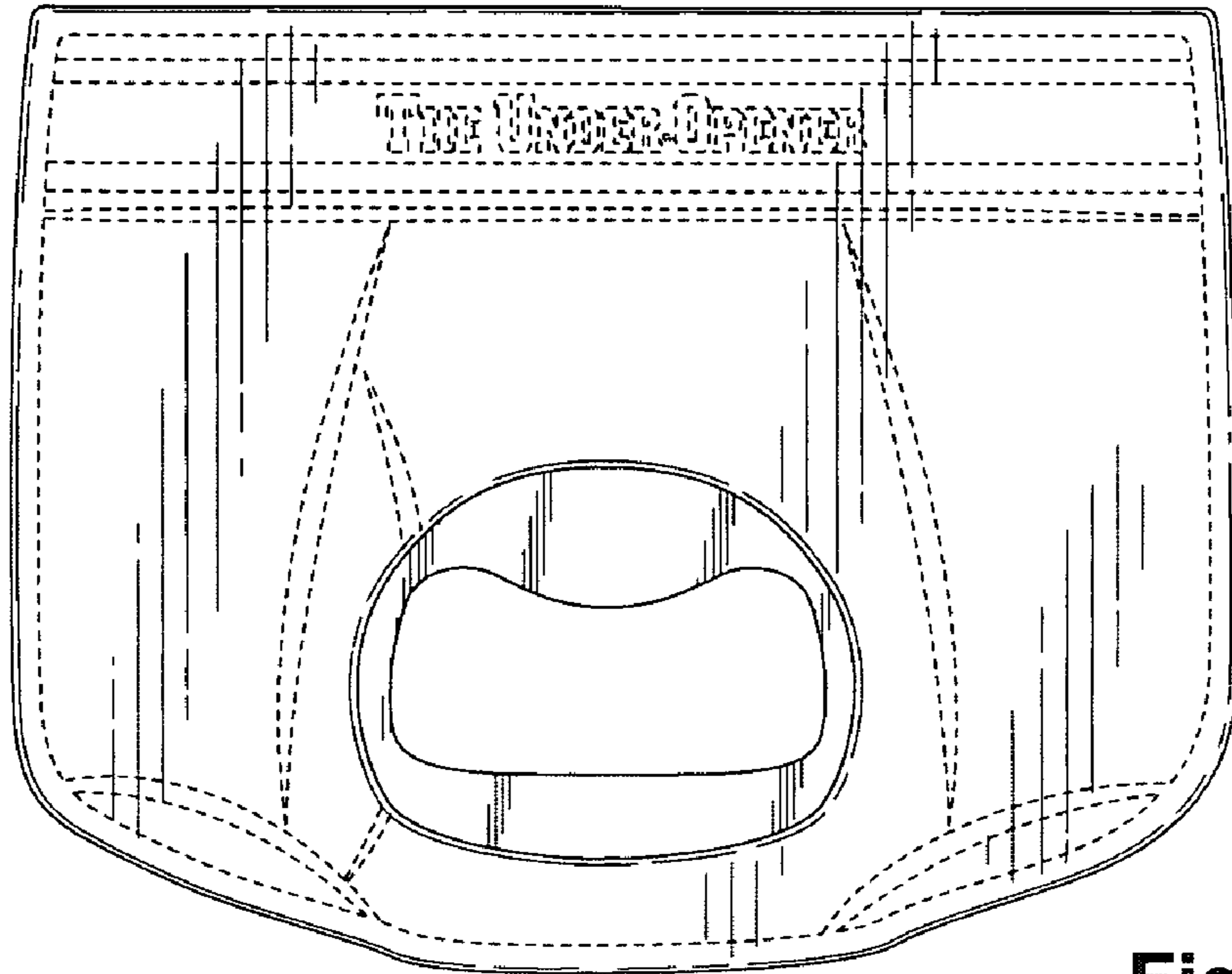


Fig. 3

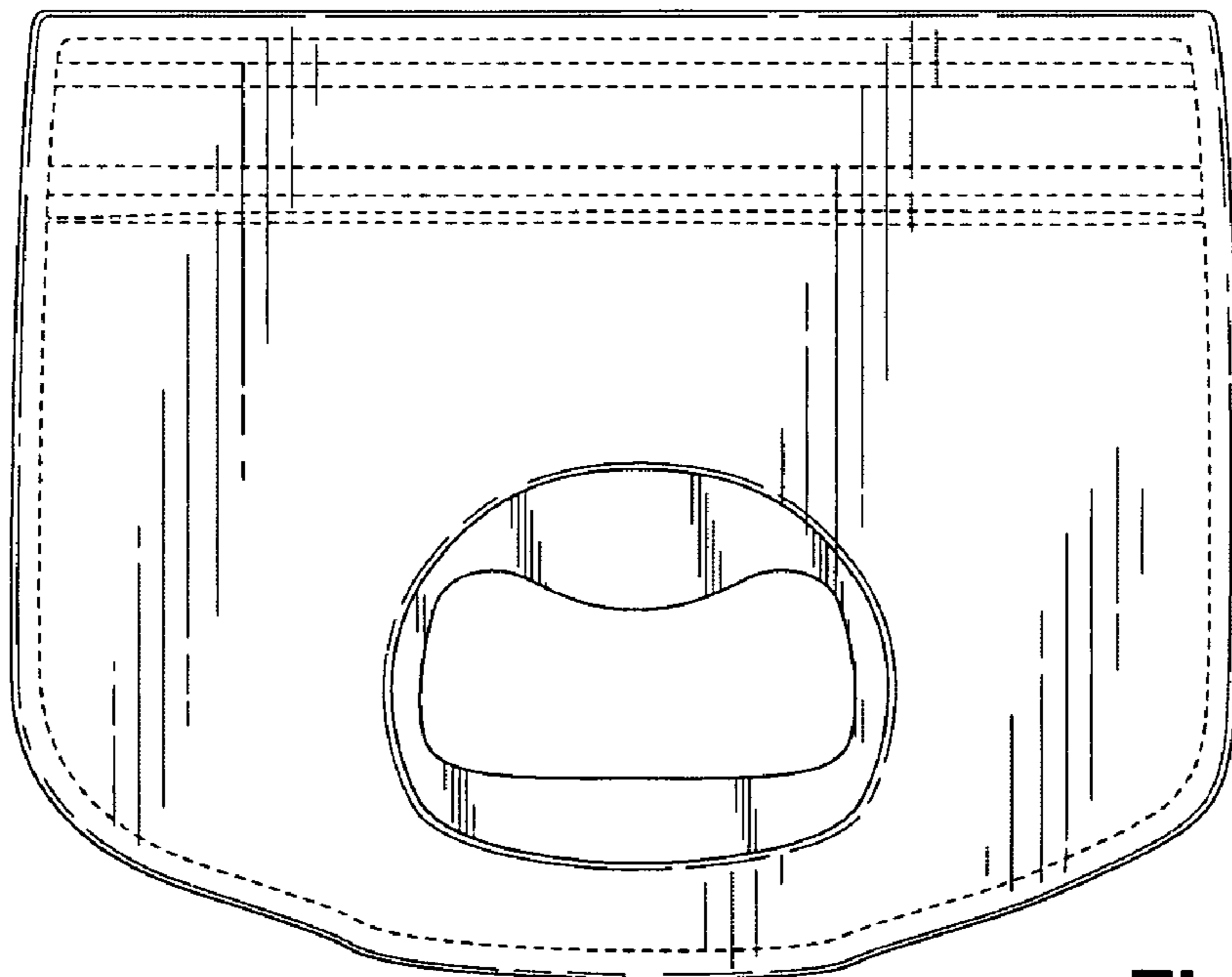


Fig. 4

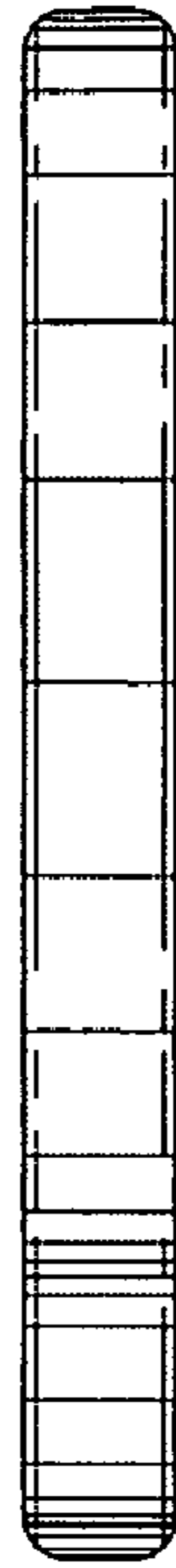


Fig. 5

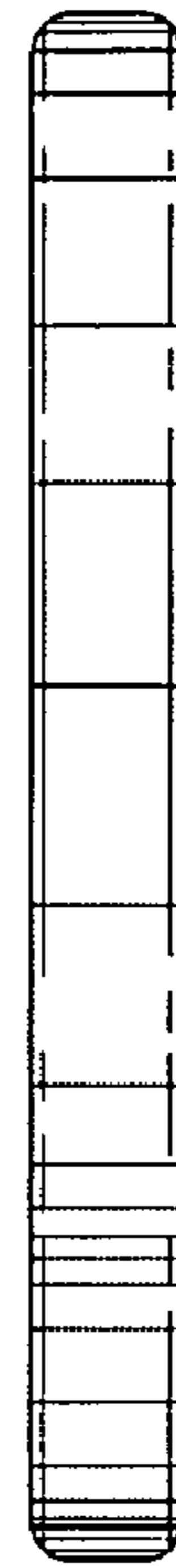


Fig. 6

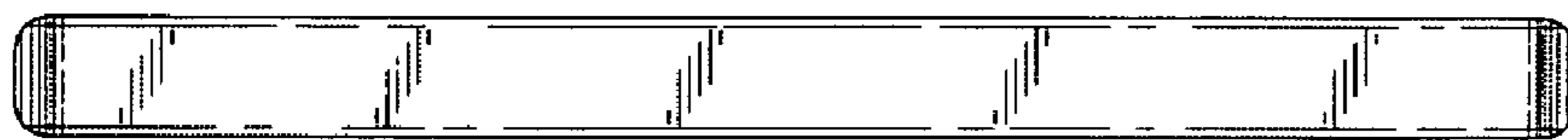


Fig. 7

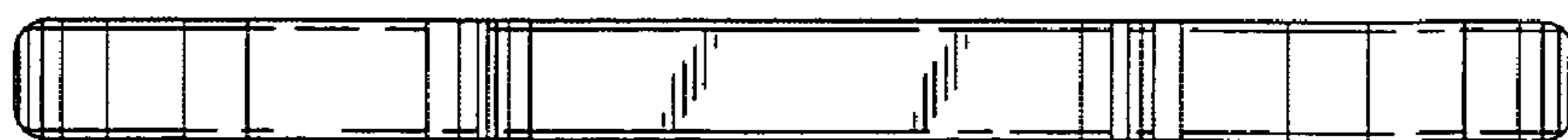


Fig. 8