



US00D664820S

(12) **United States Design Patent**  
**Furling**

(10) **Patent No.:** **US D664,820 S**  
(45) **Date of Patent:** **\*\* Aug. 7, 2012**

(54) **HOT AIR DEVICE**

D572,097 S \* 7/2008 Yung-Kuan ..... D8/29.1  
D599,182 S \* 9/2009 Baxter ..... D8/29.1  
D623,814 S \* 9/2010 LaValle et al. .... D32/31

(75) Inventor: **Andreas Furling**, Willisau (CH)

(73) Assignee: **Leister Technologies AG**, Kagiswil (CH)

(\*\*) Term: **14 Years**

(21) Appl. No.: **29/377,658**

(22) Filed: **Oct. 25, 2010**

(30) **Foreign Application Priority Data**

Apr. 27, 2010 (EM) ..... 001700741

(51) **LOC (9) Cl.** ..... **08-05**

(52) **U.S. Cl.** ..... **D8/29.1**

(58) **Field of Classification Search** ..... D8/14.1,  
D8/29.1-29.2, 30; 219/222, 225, 227, 229,  
219/238; D28/12-13, 18, 35; 392/383-385;  
D23/332

See application file for complete search history.

(56) **References Cited**

**U.S. PATENT DOCUMENTS**

D283,259 S \* 4/1986 Stansbury, Jr. .... D28/13  
D288,472 S \* 2/1987 Miller et al. .... D23/332  
D296,070 S \* 6/1988 Cunningham ..... D8/29.1  
D297,397 S \* 8/1988 Pagani ..... D8/29.1  
D297,398 S \* 8/1988 Pagani ..... D8/29.1  
D388,297 S \* 12/1997 Buttenbender ..... D8/29.1  
D388,298 S \* 12/1997 Jerdee et al. .... D8/29.1  
D456,679 S \* 5/2002 Cheng ..... D8/29.1  
D481,277 S \* 10/2003 Waldron ..... D8/29.1  
6,738,564 B1 \* 5/2004 Tung ..... 392/385  
D516,883 S \* 3/2006 Popov et al. .... D8/29.1

**OTHER PUBLICATIONS**

Leister Sonora S1. Downloaded Feb. 25, 2012 at <http://leisterusa.com/en/plastic-welding-product.html?catalog=1b301b71-fc43-4641-8ef0-5>.\*

\* cited by examiner

*Primary Examiner* — Philip S Hyder

*Assistant Examiner* — Roselynn Ulm

(74) *Attorney, Agent, or Firm* — Bachman & LaPointe, P.C.

(57) **CLAIM**

The ornamental design for a hot air device, as shown and described.

**DESCRIPTION**

The patent file contains at least one drawing executed in color. Copies of this patent publication with color drawings will be provided by the Office upon request and payment of the necessary fee.

FIG. 1 is a perspective view of a hot air device showing my new design;

FIG. 2 is a first side view thereof;

FIG. 3 is a front view thereof;

FIG. 4 is a second side view thereof;

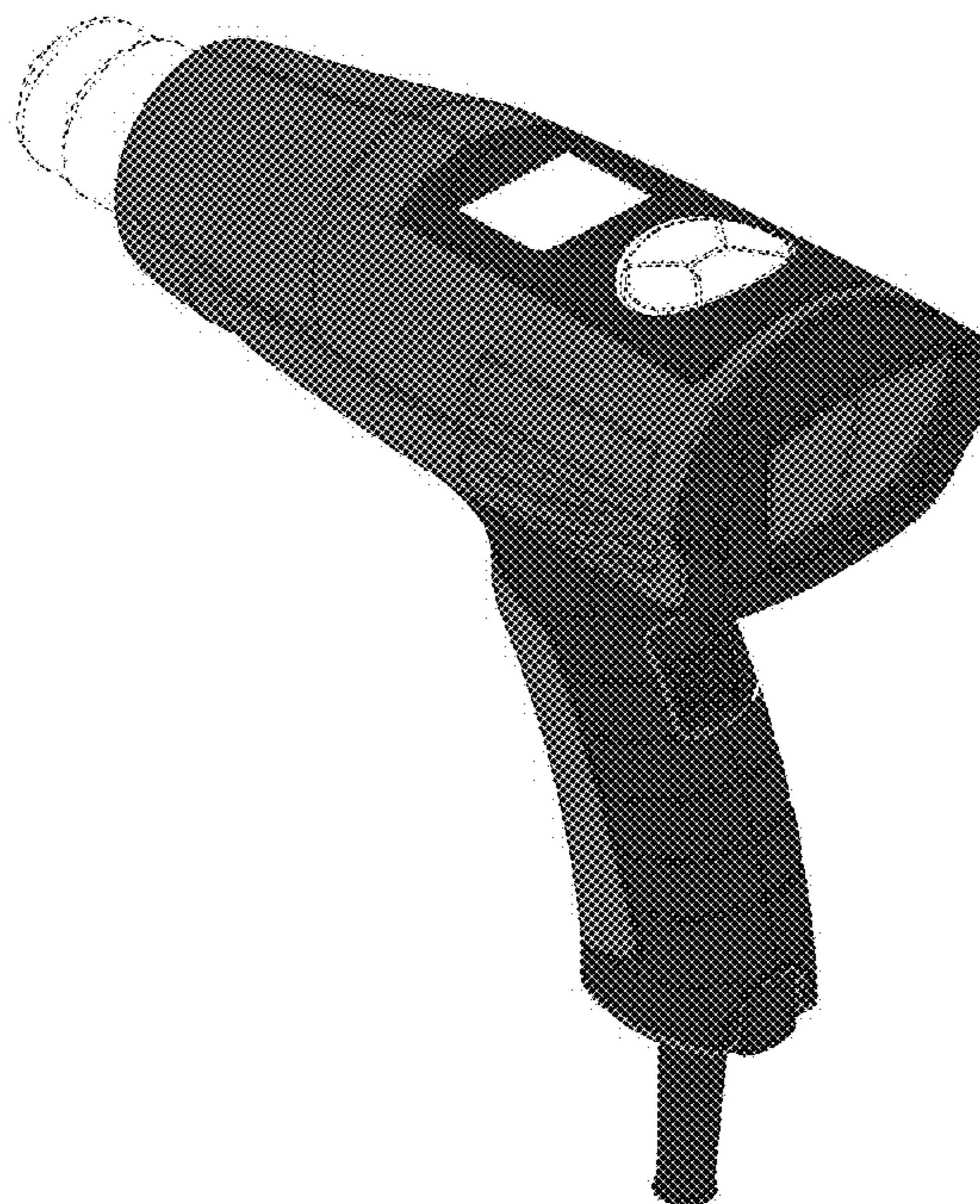
FIG. 5 is a rear view thereof;

FIG. 6 is a top view thereof; and,

FIG. 7 is a bottom view thereof.

The colors green and black form part of the claimed design; the broken lines in the drawings illustrate features do not form part of the claimed design.

**1 Claim, 6 Drawing Sheets**  
**(6 of 6 Drawing Sheet(s) Filed in Color)**





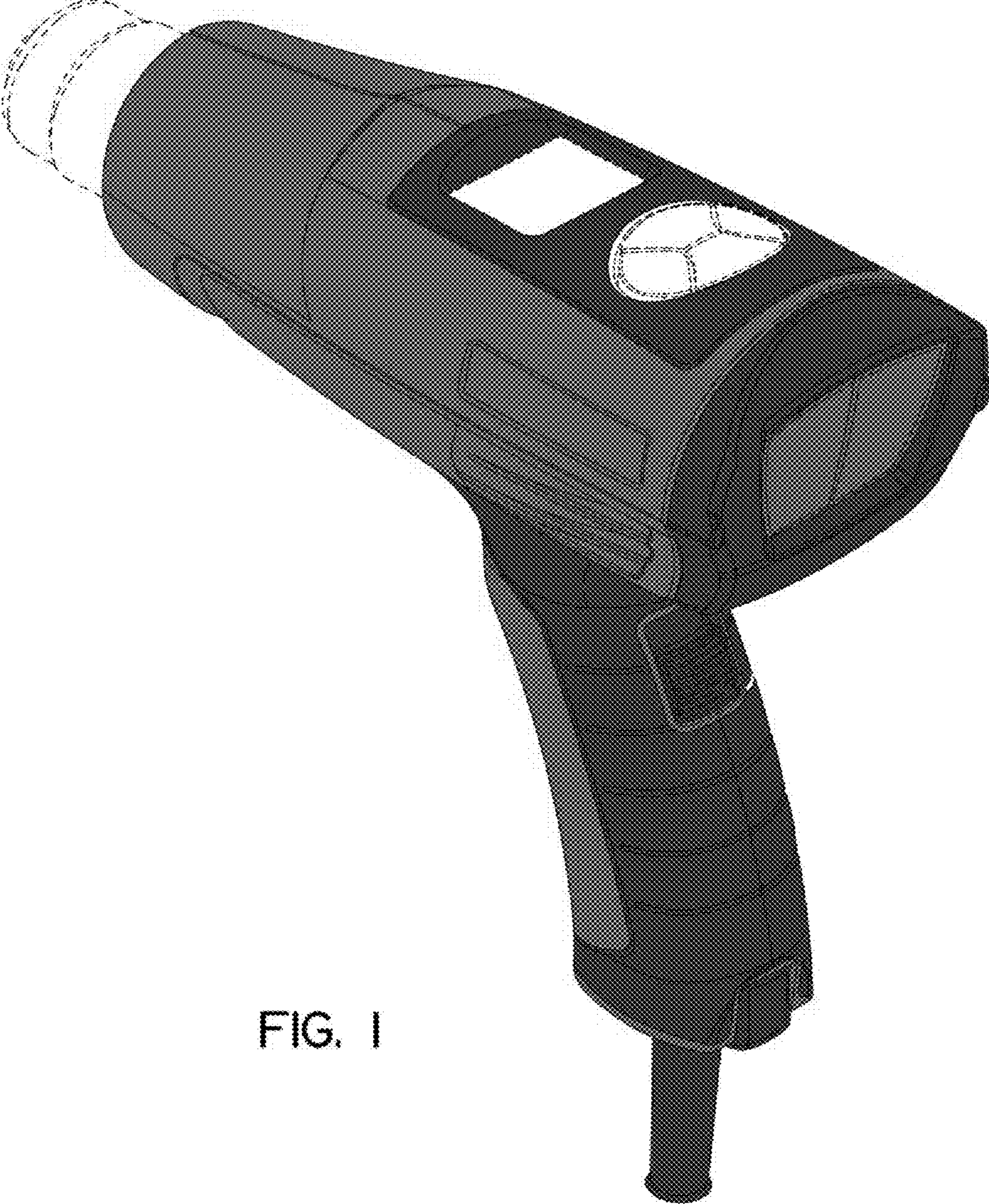


FIG. 1



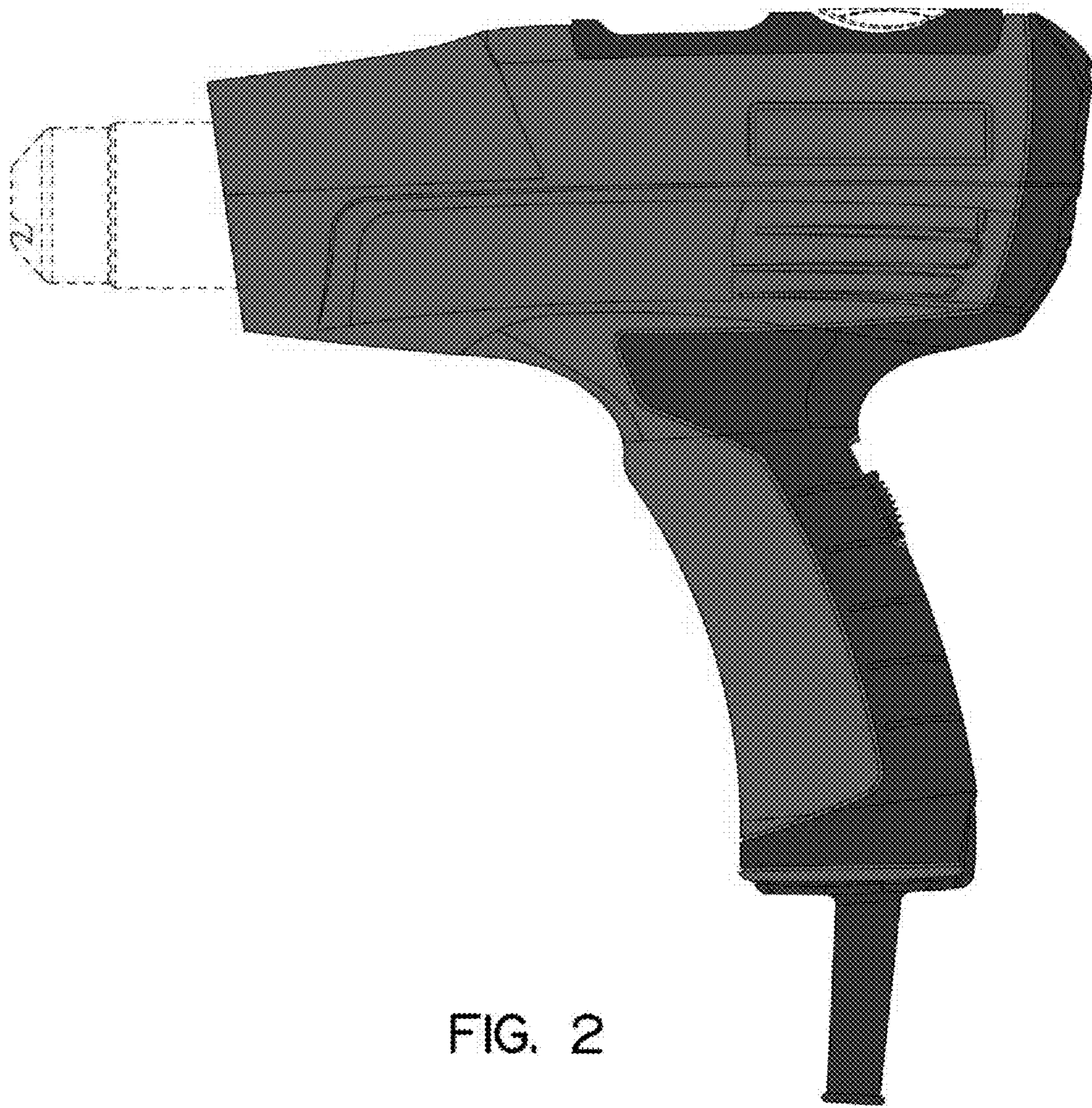


FIG. 2



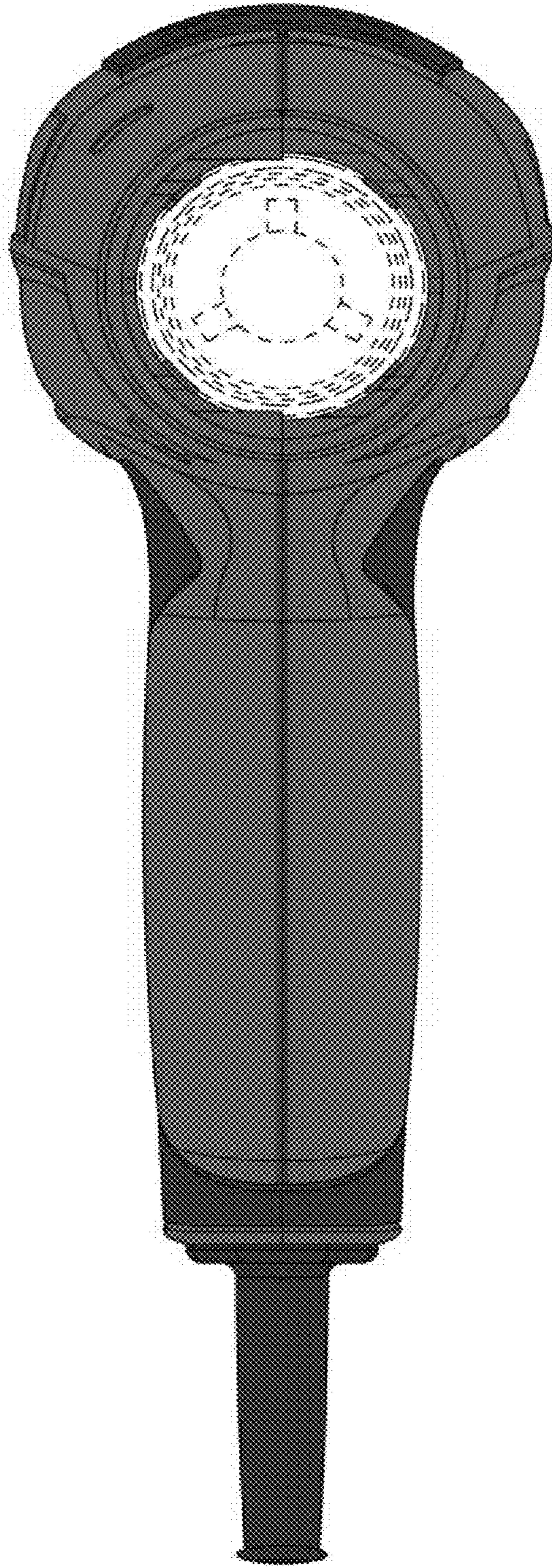


FIG. 3



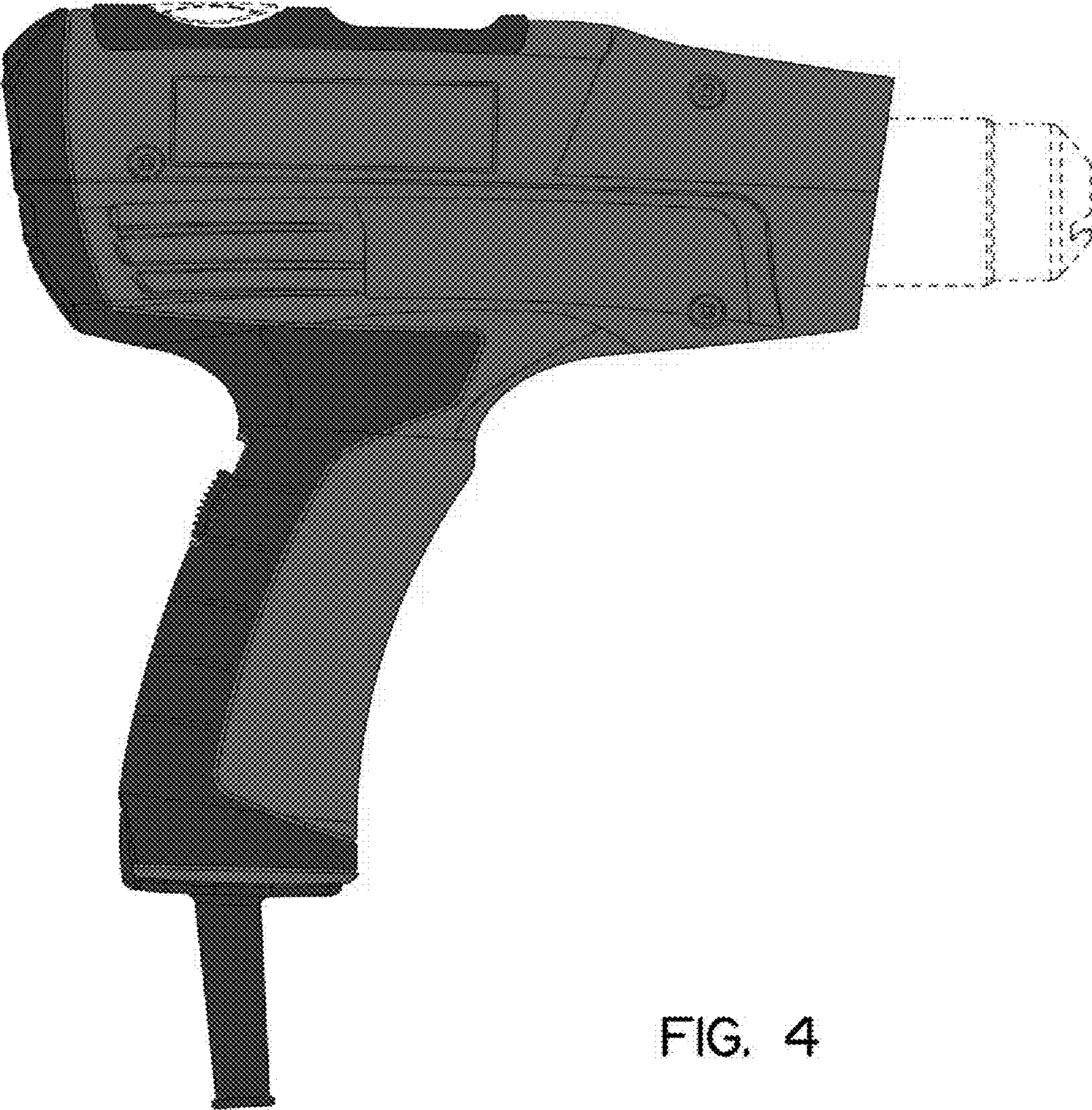


FIG. 4





FIG. 5



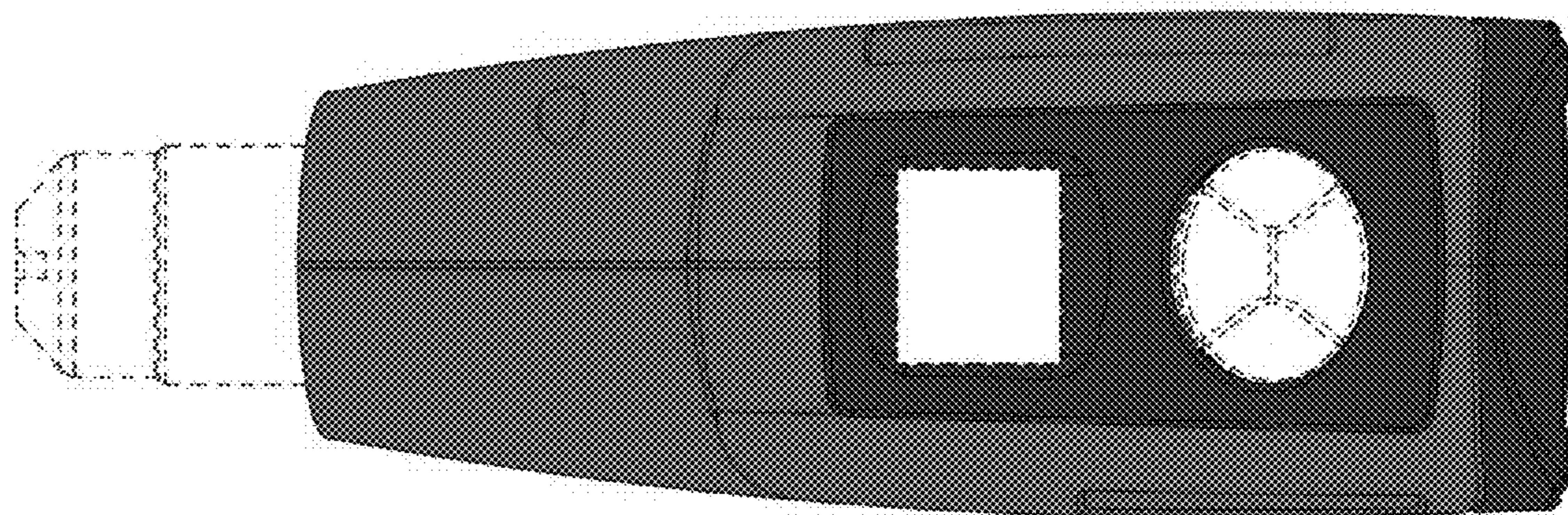


FIG. 6

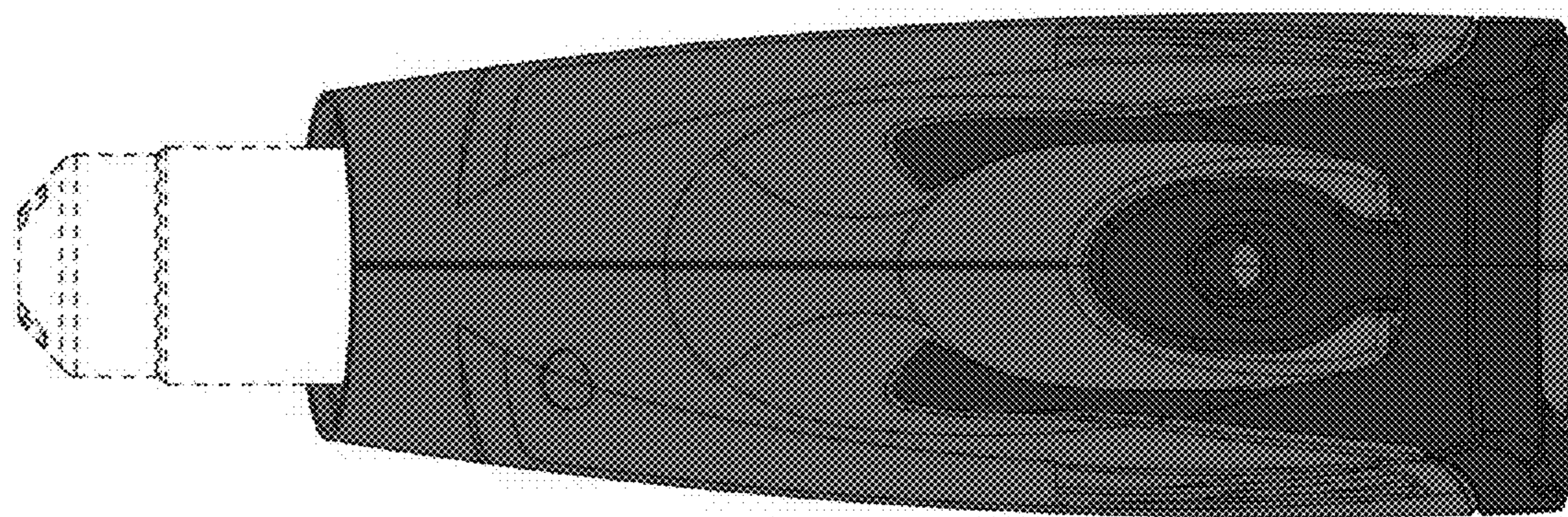


FIG. 7