



US00D664819S

(12) **United States Design Patent**
Huang

(10) **Patent No.:** **US D664,819 S**

(45) **Date of Patent:** **** Aug. 7, 2012**

(54) **RATCHET WRENCH**

(76) Inventor: **Ping-Chung Huang**, Taichung (TW)

(**) Term: **14 Years**

(21) Appl. No.: **29/414,767**

(22) Filed: **Mar. 2, 2012**

(51) **LOC (9) Cl.** **08-05**

(52) **U.S. Cl.** **D8/25**

(58) **Field of Classification Search** D8/21-29,
D8/354, 107; 81/60, 177.1, 177.85, 121.1,
81/124.3, 165-170, 110.1, 176.2, 124.6,
81/176.1, 176.15, 177.2, 186; 16/110.1;
D15/144.1, 143; 219/75, 227, 229, 121.16,
219/121.18

See application file for complete search history.

(56) **References Cited**

U.S. PATENT DOCUMENTS

4,257,507 A * 3/1981 Solomon 192/43.1
6,854,362 B1 * 2/2005 Huang 81/60
D633,762 S * 3/2011 Zhou et al. D8/22

7,966,912 B1 * 6/2011 Hobden et al. 81/63
8,141,460 B2 * 3/2012 Hobden et al. 81/60
2005/0044996 A1 * 3/2005 Huang 81/60

* cited by examiner

Primary Examiner — Raphael Barkai
Assistant Examiner — Randall Gholson

(74) *Attorney, Agent, or Firm* — Wang Law Firm, Inc.; Li K. Wang

(57) **CLAIM**

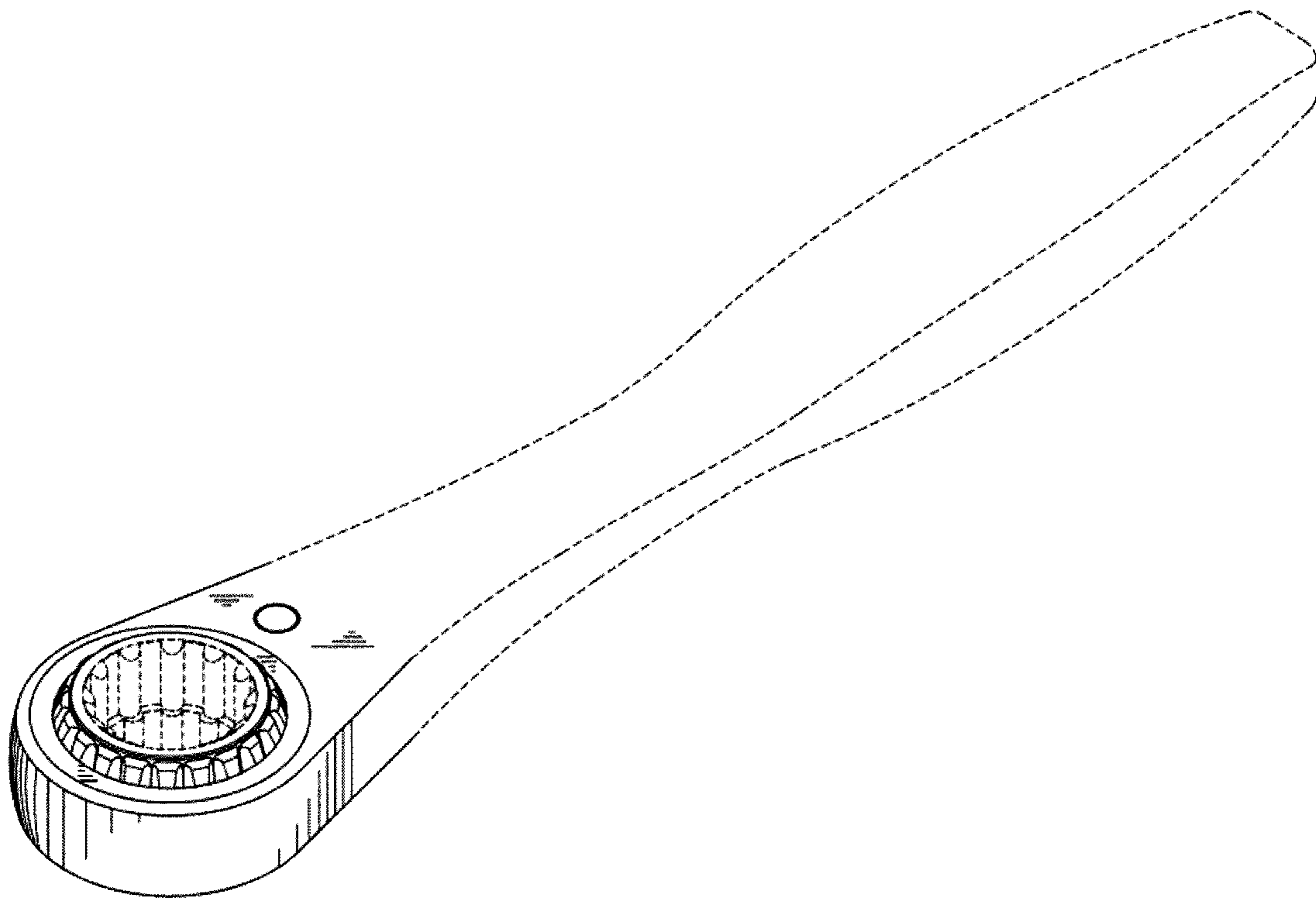
The ornamental design for a ratchet wrench, as shown and described.

DESCRIPTION

FIG. 1 is a perspective view of a ratchet wrench showing my new design;
FIG. 2 is a front elevational view thereof;
FIG. 3 is a rear elevational view thereof;
FIG. 4 is a left side view thereof;
FIG. 5 is a right side view thereof;
FIG. 6 is a top plan view thereof; and,
FIG. 7 is a bottom plan view thereof.

The broken lines in FIGS. 1, 3, 4, 5, 6 and 7 are intended for the purpose of illustration only and are not a part of the claimed design.

1 Claim, 4 Drawing Sheets



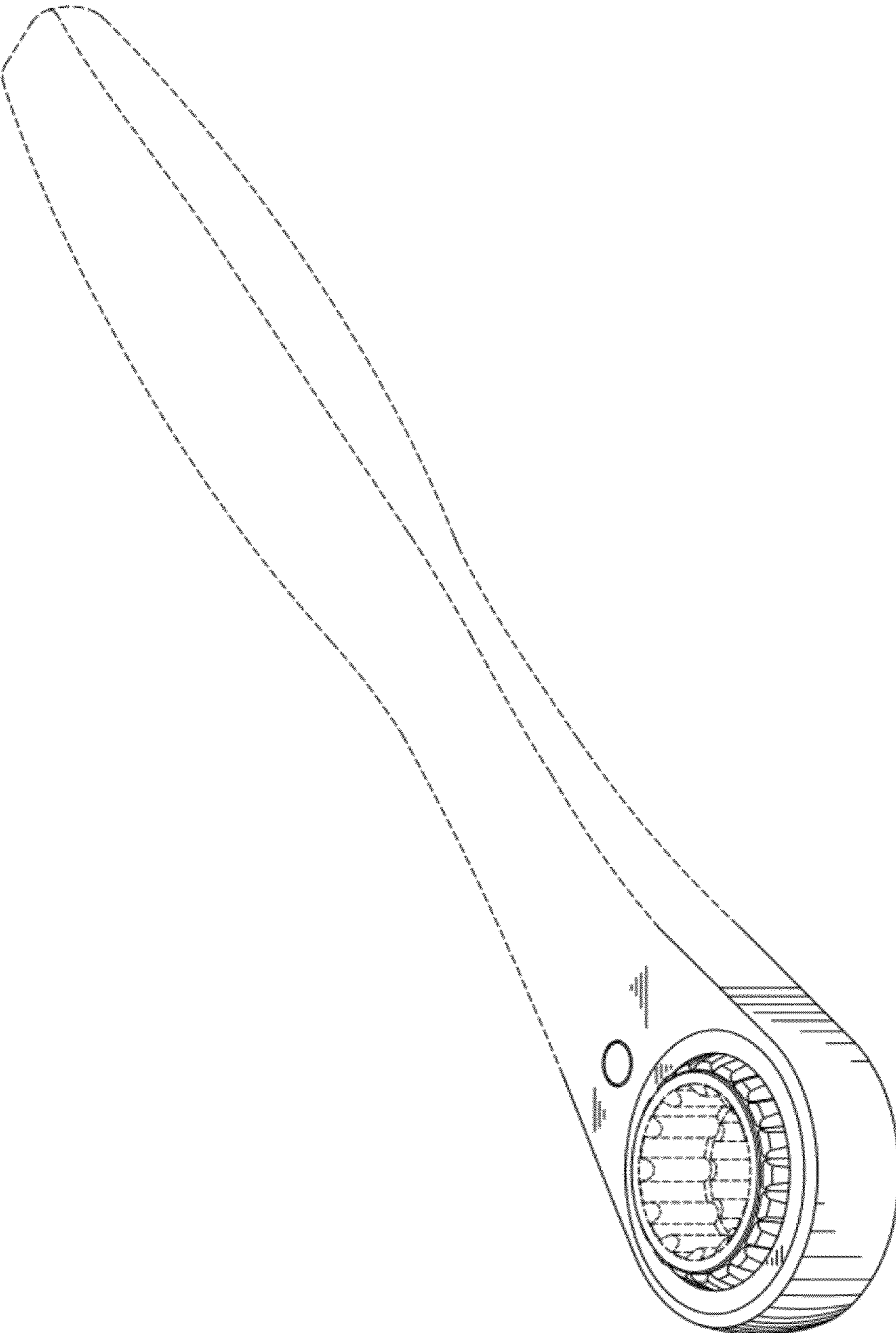


FIG. 1

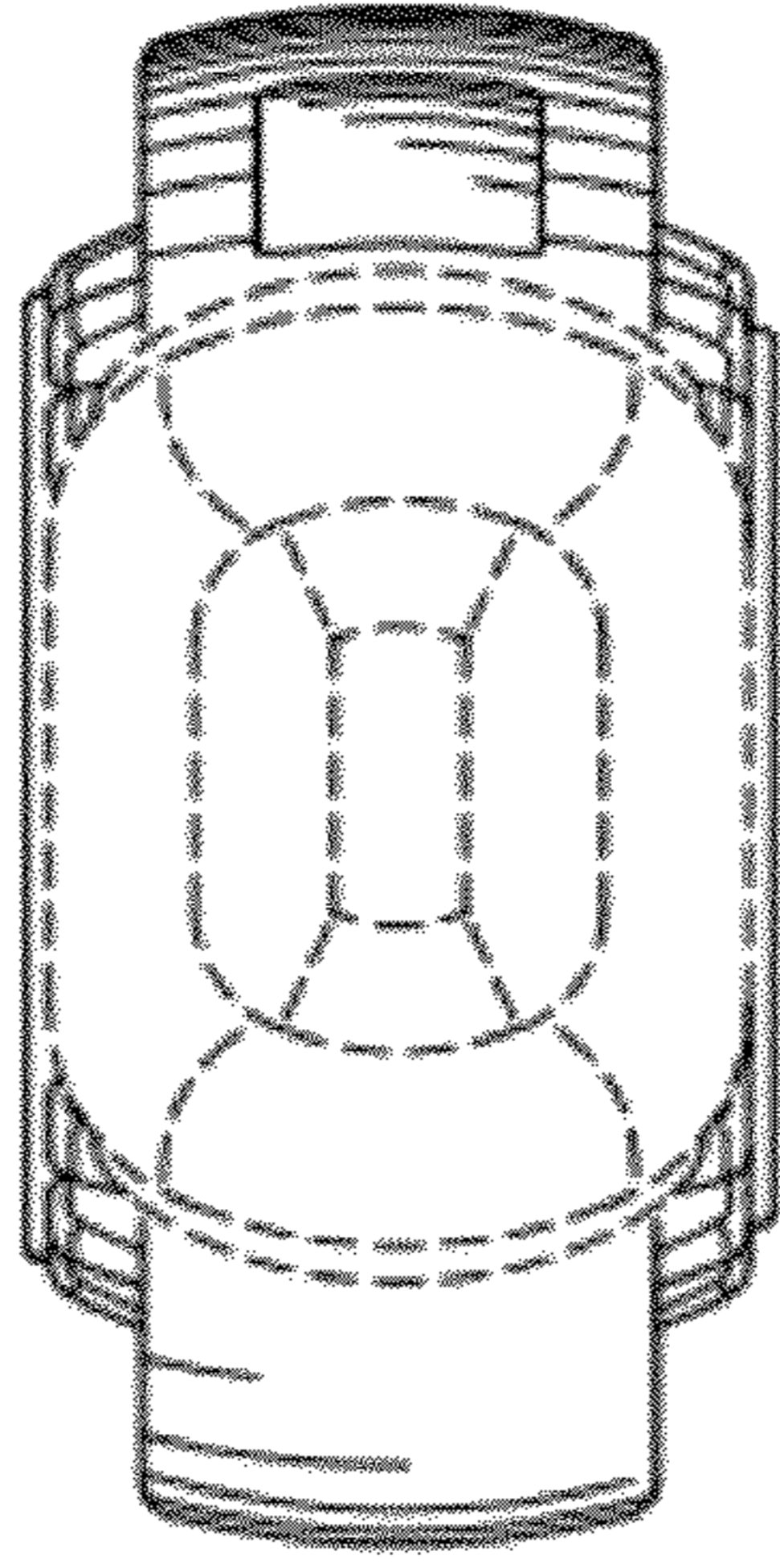


FIG. 2

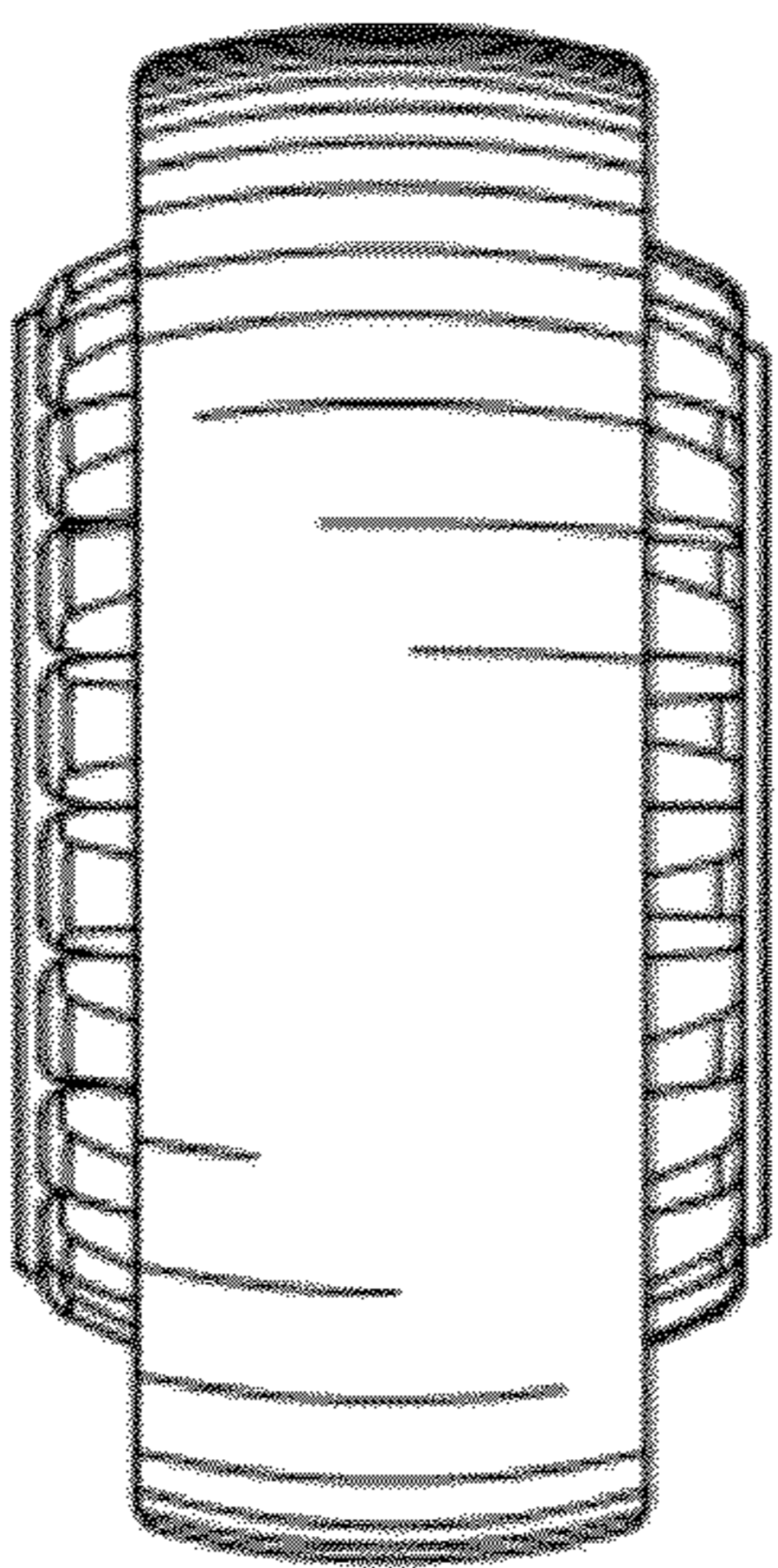


FIG. 3

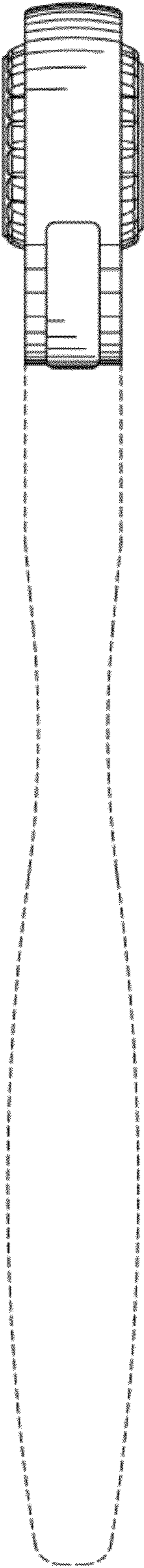


FIG. 4



FIG. 5

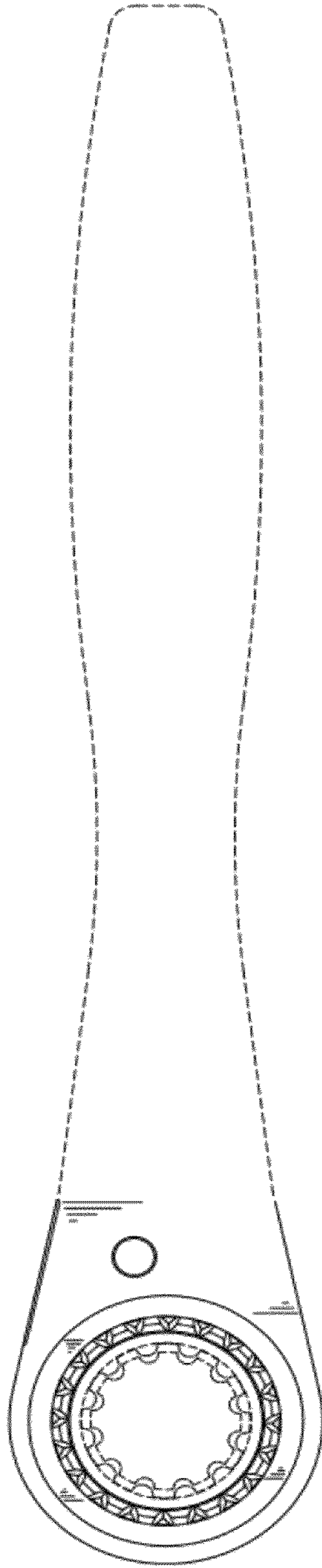


FIG. 6

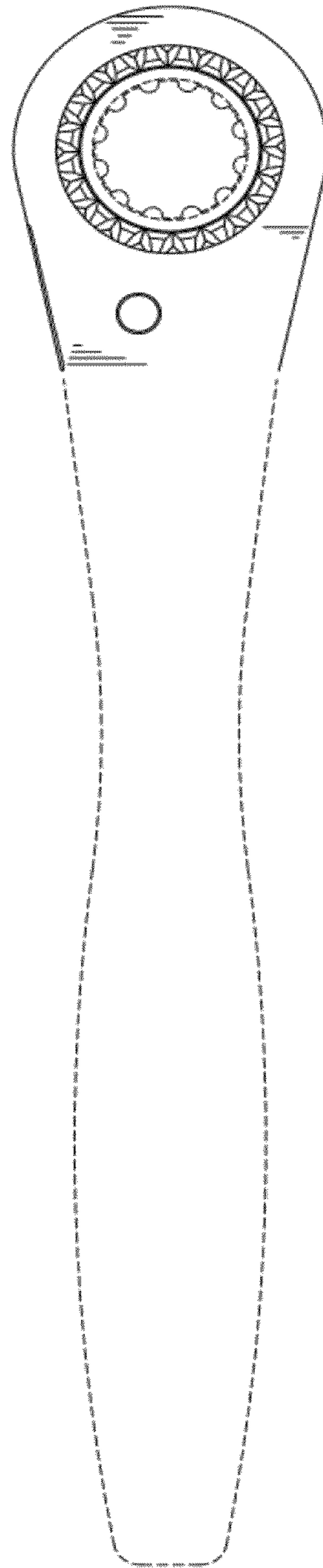


FIG. 7