

US00D664816S

(12) **United States Design Patent**
Difante

(10) **Patent No.:** **US D664,816 S**

(45) **Date of Patent:** **** Aug. 7, 2012**

(54) **COMBINED HANDI-GRIP SPOON**

Primary Examiner — Terry Wallace

(76) Inventor: **Agostino Difante**, San Clemente, CA
(US)

(**) Term: **14 Years**

(21) Appl. No.: **29/374,510**

(22) Filed: **Aug. 24, 2011**

(51) **LOC (9) Cl.** **07-06**

(52) **U.S. Cl.** **D7/686**

(58) **Field of Classification Search** D7/680–697,
D7/393, 395; 294/7, 8, 99.1, 99.2, 118, 119,
294/16; 30/124, 136, 137, 150, 169, 322–328
See application file for complete search history.

(56) **References Cited**

U.S. PATENT DOCUMENTS

D442,440	S *	5/2001	Kaposi	D7/686
6,726,263	B2 *	4/2004	Wang et al.	294/16
D496,229	S *	9/2004	Kaposi	D7/686
D509,413	S *	9/2005	Marsden et al.	D7/686
7,086,676	B2 *	8/2006	Sumter et al.	294/16
7,316,434	B1 *	1/2008	Kerr	294/16

* cited by examiner

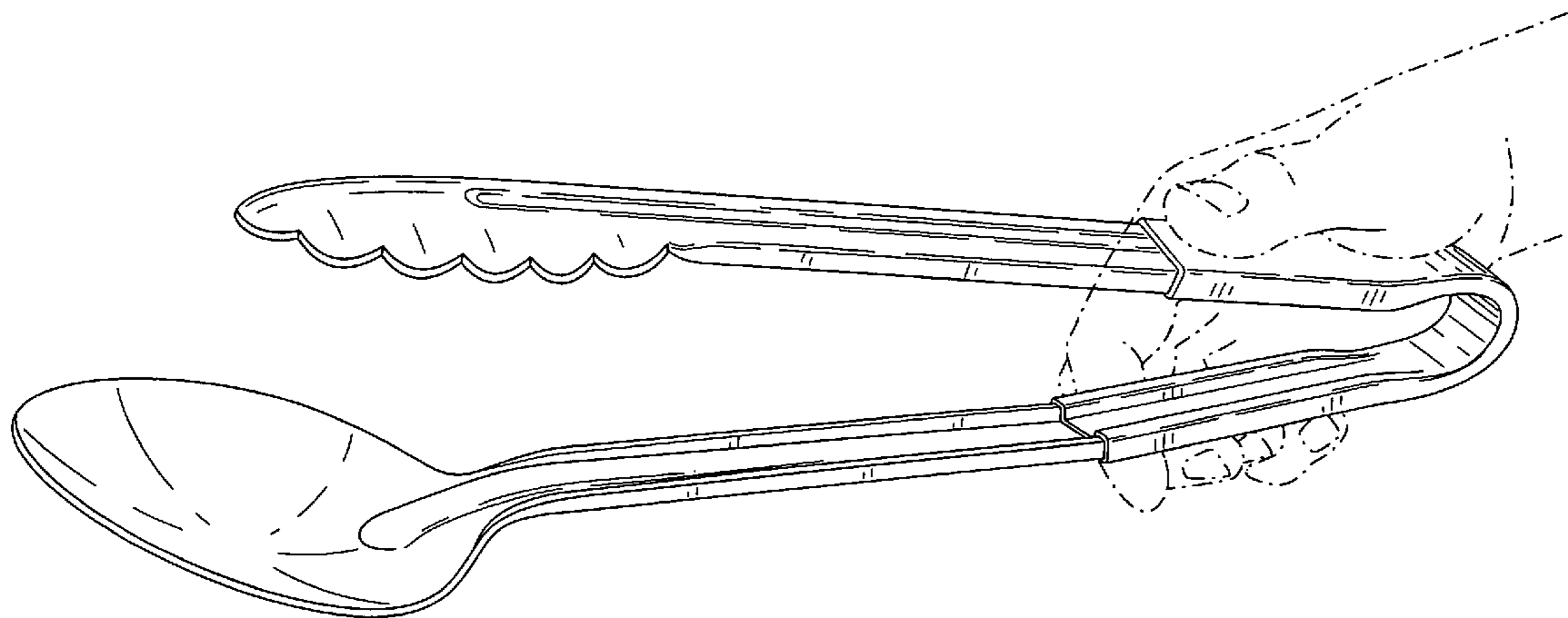
(57) **CLAIM**

The ornamental design for a combined handi-grip spoon, as shown and described.

DESCRIPTION

FIG. 1 is a perspective view of a combined handi-grip spoon including the spoon, the resilient hinge, the ergonomic bend in the bottom arm, and the gripping tong of my new design. FIG. 2 is a right side elevational view of my design, showing the ergonomic bend along the bottom arm, the spoon, the resilient hinge, and the gripping tong, the left side elevational view being a mirror image thereof; FIG. 3 is a front elevational view of my design. FIG. 4 is a rear elevational view of my design. FIG. 5 is a top plan view of my design, showing how the gripping tong falls within the middle of the spoon; and, FIG. 6 is a bottom plan view of my design. The broken lines in FIG. 1 are for illustrative purposes only.

1 Claim, 3 Drawing Sheets



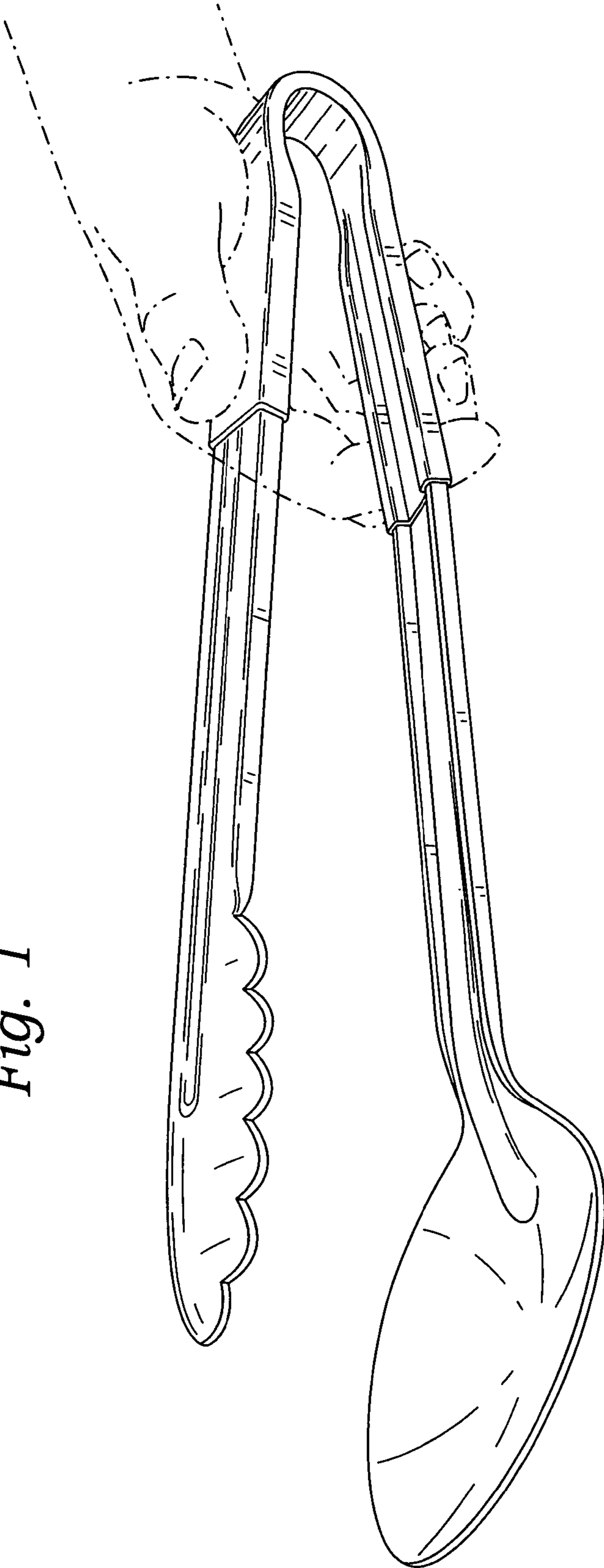


Fig. 1

Fig. 2

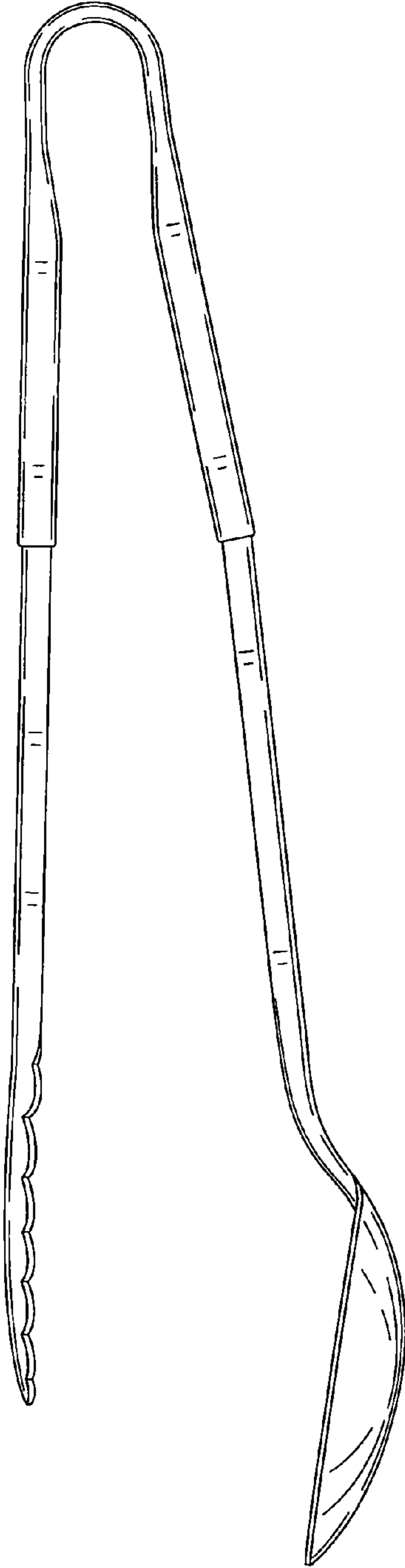


Fig. 3

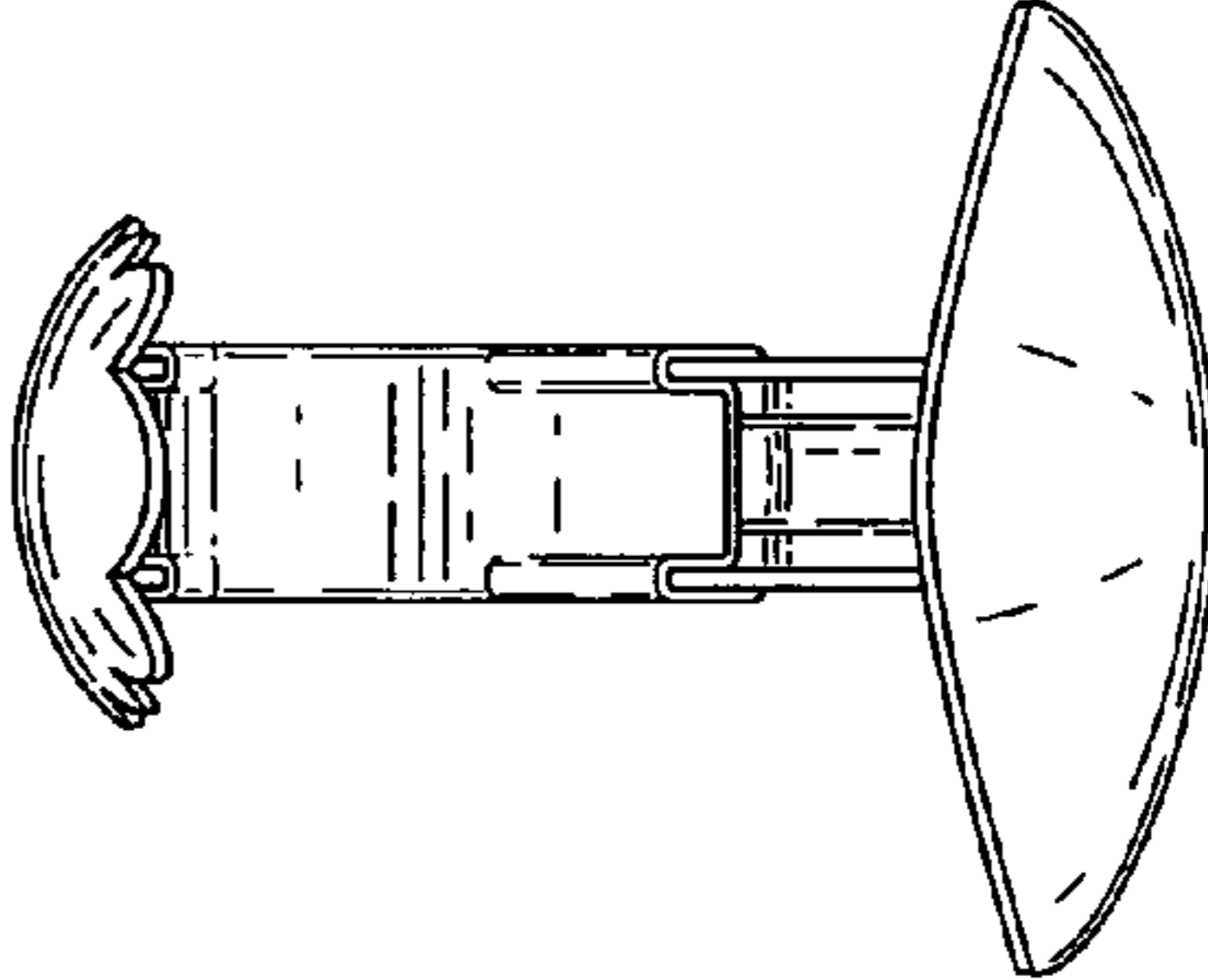


Fig. 4

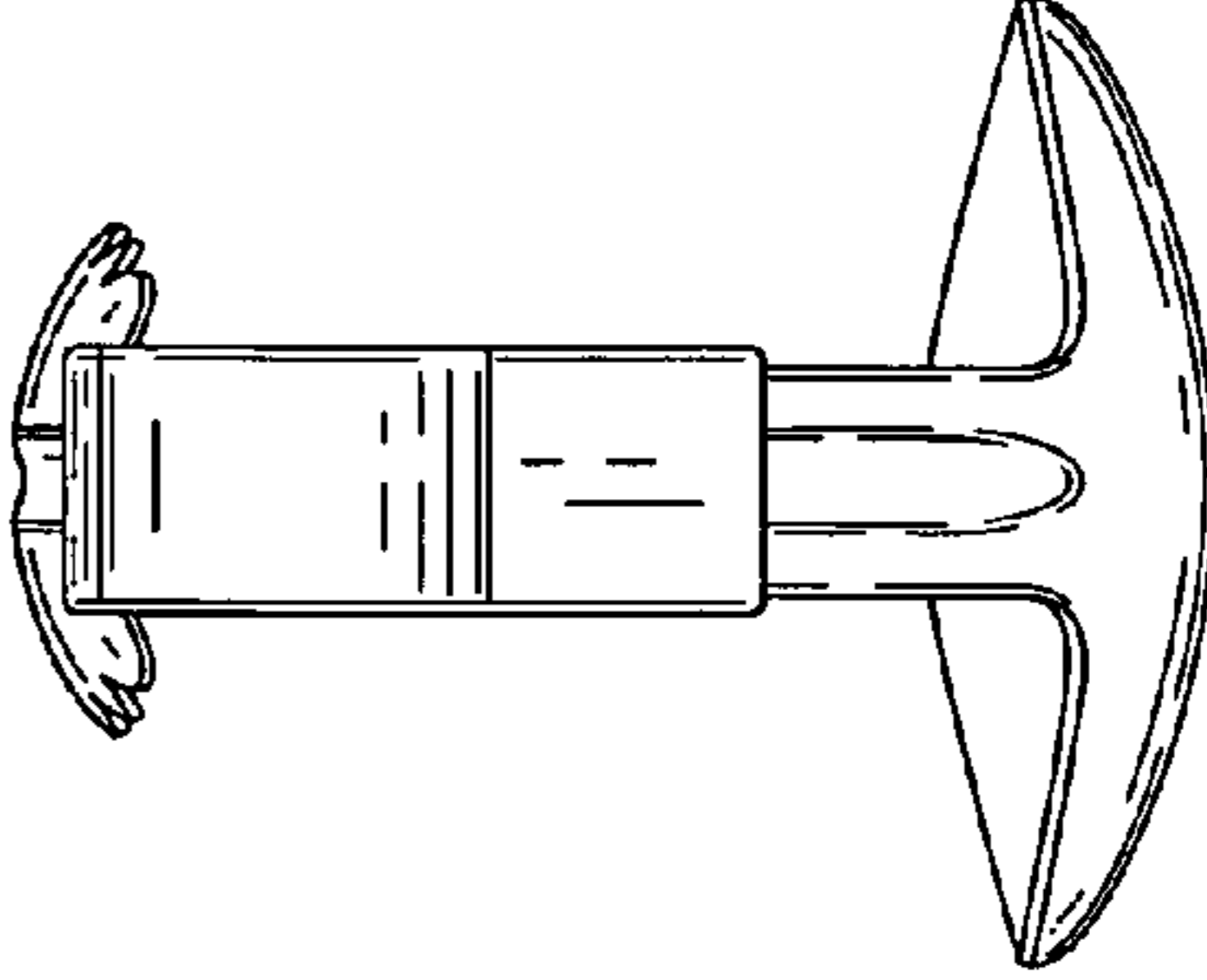


Fig. 5

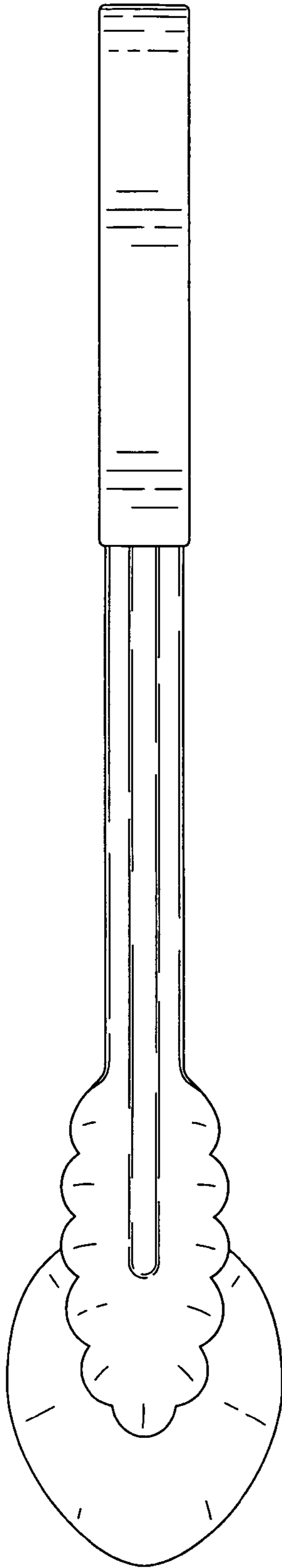


Fig. 6

