



US00D664812S

(12) **United States Design Patent**  
**Bickert et al.**

(10) **Patent No.:** **US D664,812 S**

(45) **Date of Patent:** **\*\* Aug. 7, 2012**

(54) **TUMBLER GRIP**

(75) Inventors: **Robert Bickert**, Mobile, AL (US);  
**Mark Eyman**, Chicago, IL (US)

(73) Assignee: **EBSCO Industries, Inc.**, Birmingham,  
AL (US)

(\*\*) Term: **14 Years**

(21) Appl. No.: **29/390,299**

(22) Filed: **Apr. 22, 2011**

(51) **LOC (9) Cl.** ..... **07-01**

(52) **U.S. Cl.** ..... **D7/624.2; D7/607; D7/396.2**

(58) **Field of Classification Search** ..... **D7/396.2,**  
**D7/607, 624.2, 502, 503, 532, 523, 510, 511;**  
**220/738, 703, 705, 592.16, 592.17; 229/403**  
See application file for complete search history.

(56) **References Cited**

**U.S. PATENT DOCUMENTS**

522,656	A *	7/1894	Cumnock	.....	169/39
D64,326	S	3/1924	Smyth		
D80,596	S *	3/1930	Bartlett	.....	D7/523
D98,420	S	2/1936	Deskey		
D127,331	S *	5/1941	Rosenfeld	.....	D9/503
D162,302	S	3/1951	Horne		
D170,666	S *	10/1953	Stenger	.....	D7/523
D259,776	S *	7/1981	Waterfield	.....	D11/153
D291,040	S	7/1987	Dart		
D296,764	S *	7/1988	Riach et al.	.....	D9/503

(Continued)

**OTHER PUBLICATIONS**

U.S. Appl. No. 29/392,653, Bickert et al.

(Continued)

*Primary Examiner* — Marianne Pandozzi

(74) *Attorney, Agent, or Firm* — Smith Gambrell & Russell  
LLP

(57) **CLAIM**

The ornamental design for a tumbler grip, as shown and  
described.

**DESCRIPTION**

FIG. 1 is a front perspective view of a first embodiment of a  
tumbler grip;

FIG. 2 is a top plan view of the tumbler grip of FIG. 1;

FIG. 3 is a bottom view of the tumbler grip of FIG. 1;

FIG. 4 is a front side view of the tumbler grip of FIG. 1;

FIG. 5 is a rear side view of the tumbler grip of FIG. 1;

FIG. 6 is a left side view of the tumbler grip of FIG. 1;

FIG. 7 is a right side view of the tumbler grip of FIG. 1;

FIG. 8 is an in use perspective view thereof;

FIG. 9 is a front perspective view of the second embodiment  
of the tumbler grip of FIG. 8;

FIG. 10 is a top plan view of the tumbler grip of FIG. 9;

FIG. 11 is a bottom view of the tumbler grip of FIG. 9;

FIG. 12 is a front side view of the tumbler grip of FIG. 9;

FIG. 13 is a rear side view of the tumbler grip of FIG. 9;

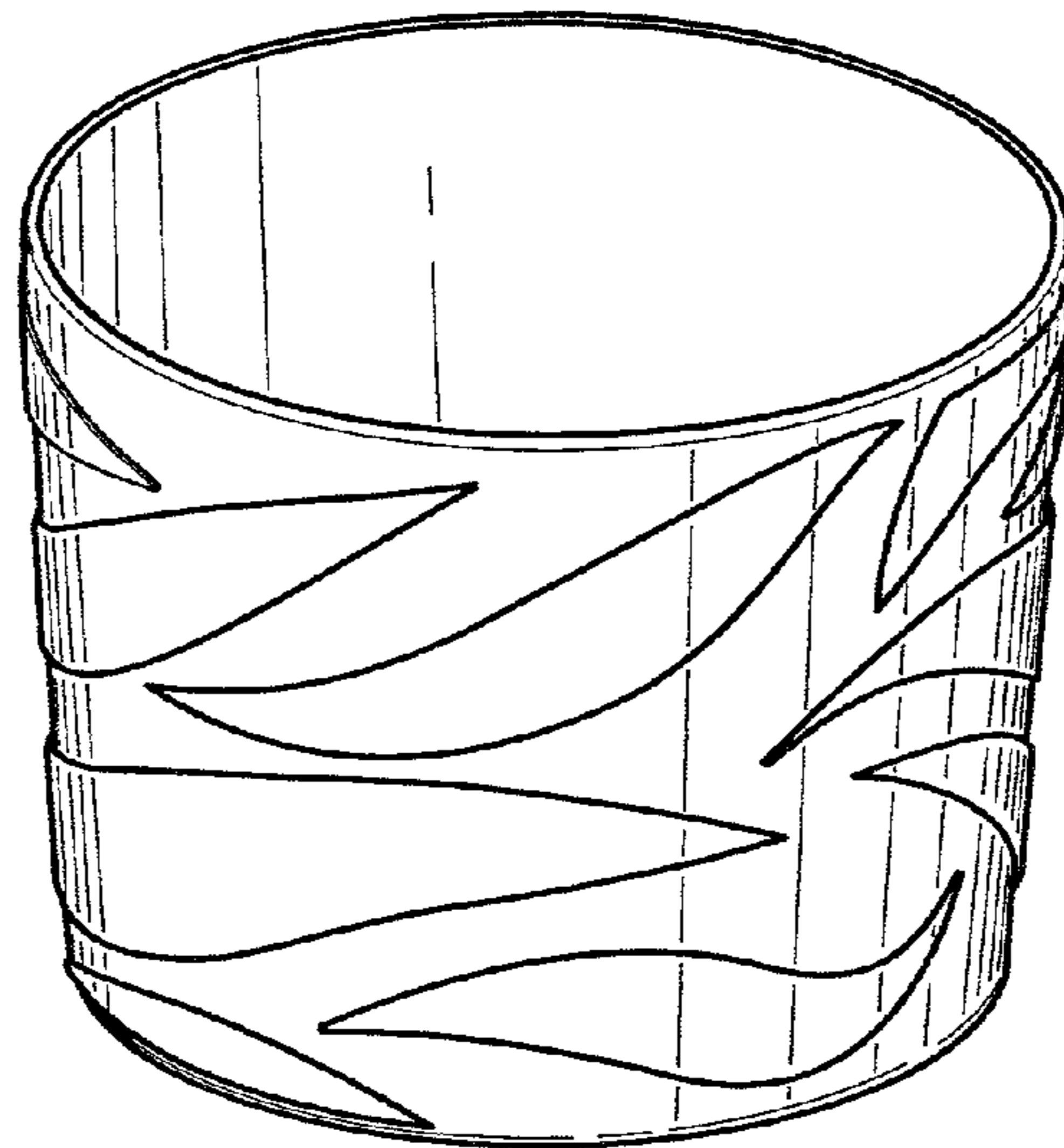
FIG. 14 is a left side view of the tumbler grip of FIG. 9;

FIG. 15 is a right side view of the tumbler grip of FIG. 9; and,

FIG. 16 is an in use perspective view of the second embodi-  
ment thereof.

The broken lines in the drawings are included for the purpose  
of illustration and form no part of the claimed design.

**1 Claim, 6 Drawing Sheets**



# US D664,812 S

Page 2

## U.S. PATENT DOCUMENTS

5,222,656 A 6/1993 Carlson  
D371,936 S 7/1996 Goto et al.  
D383,947 S 9/1997 Schaefer  
D401,122 S 11/1998 Rench et al.  
D404,613 S 1/1999 Hatsumoto et al.  
D422,841 S 4/2000 Milford et al.  
D442,029 S 5/2001 Otake  
6,265,040 B1 7/2001 Neale et al.  
D489,573 S 5/2004 Li  
6,814,253 B2 11/2004 Wong  
D509,707 S 9/2005 Tien  
D548,012 S 8/2007 Tien  
D573,406 S \* 7/2008 Thurmond, Jr. .... D7/532  
7,484,639 B2 2/2009 Maravich et al.  
7,537,136 B2 5/2009 Hechmati  
D600,496 S 9/2009 Fernandes  
D601,122 S \* 9/2009 Hibino et al. .... D14/203.7  
D603,653 S 11/2009 Wong  
D604,178 S \* 11/2009 Bowyer et al. .... D9/502  
D617,144 S \* 6/2010 O'Connor et al. .... D7/396.2  
D618,967 S 7/2010 Bodum  
D621,659 S 8/2010 Liu  
D623,474 S 9/2010 Carlson et al.  
D623,476 S 9/2010 Carlson et al.  
7,922,031 B1 \* 4/2011 Prince ..... 220/739  
D640,094 S 6/2011 Carlson et al.

D640,507 S 6/2011 Selina et al.  
D643,689 S 8/2011 Selina et al.  
D643,690 S 8/2011 Selina et al.  
D643,691 S 8/2011 Selina et al.  
D643,692 S \* 8/2011 Selina et al. .... D7/607  
D644,066 S \* 8/2011 Hotell et al. .... D7/532  
8,006,861 B2 8/2011 Kim  
D645,700 S \* 9/2011 Hadley ..... D7/396.2  
D648,985 S \* 11/2011 Chiu et al. .... D7/510  
D651,474 S \* 1/2012 Gut ..... D7/624.2  
D653,365 S \* 1/2012 Yuan et al. .... D26/2  
D656,365 S \* 3/2012 Bickert et al. .... D7/624.2  
2004/0128877 A1 7/2004 Luedde  
2006/0027640 A1 2/2006 Smith et al.  
2006/0186129 A1 8/2006 Allnutt et al.  
2007/0125787 A1 6/2007 Oathout et al.  
2007/0125791 A1 6/2007 Donnelly et al.  
2008/0078824 A1 \* 4/2008 Spriegel et al. .... 229/403  
2009/0050641 A1 2/2009 Ivey  
2011/0062168 A1 3/2011 Chow et al.

## OTHER PUBLICATIONS

U.S. Appl. No. 29/393,722, Bickert et al.  
U.S. Appl. No. 29/393,720, Bickert et al.

\* cited by examiner

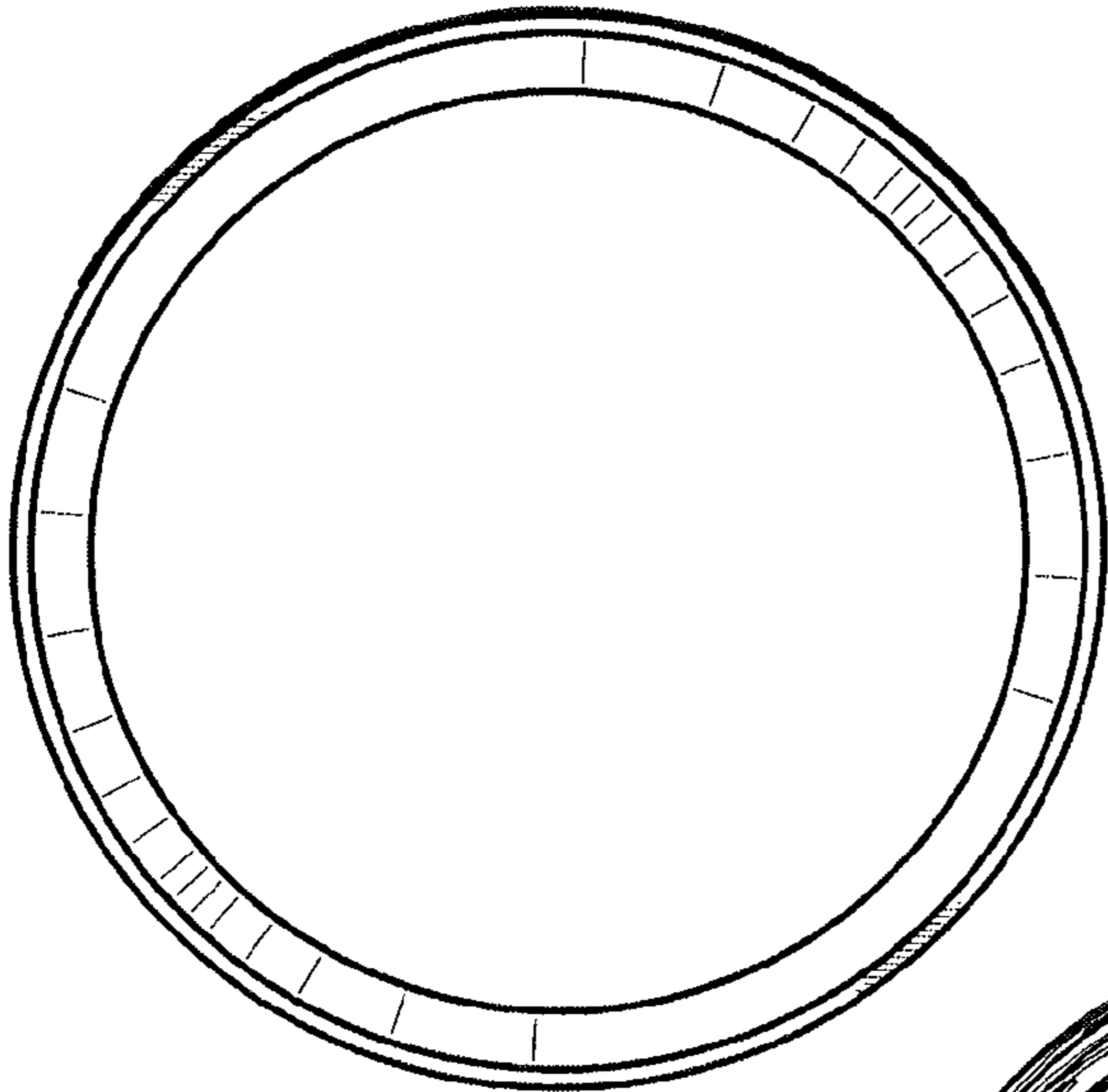


FIG. 2

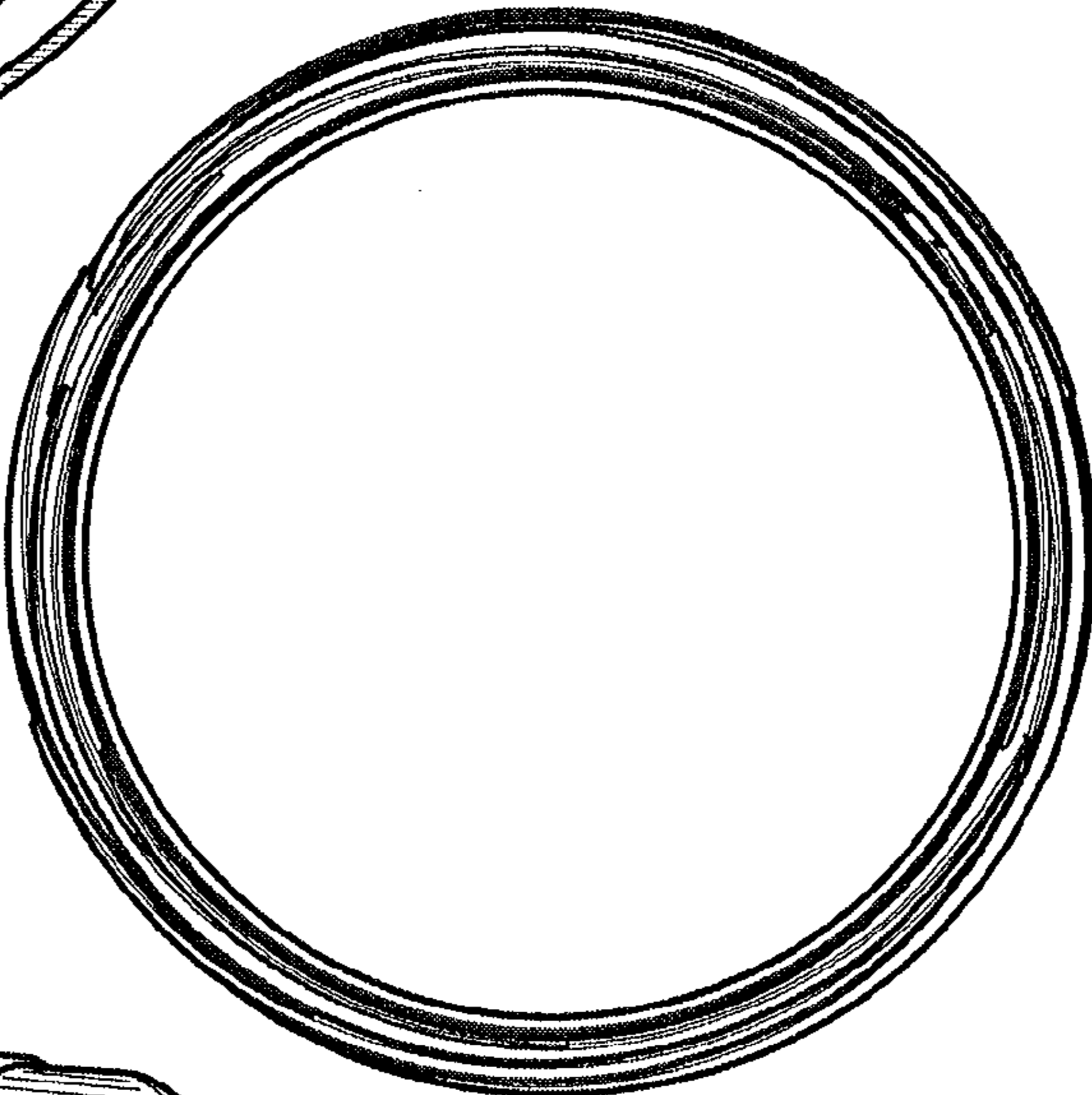


FIG. 3

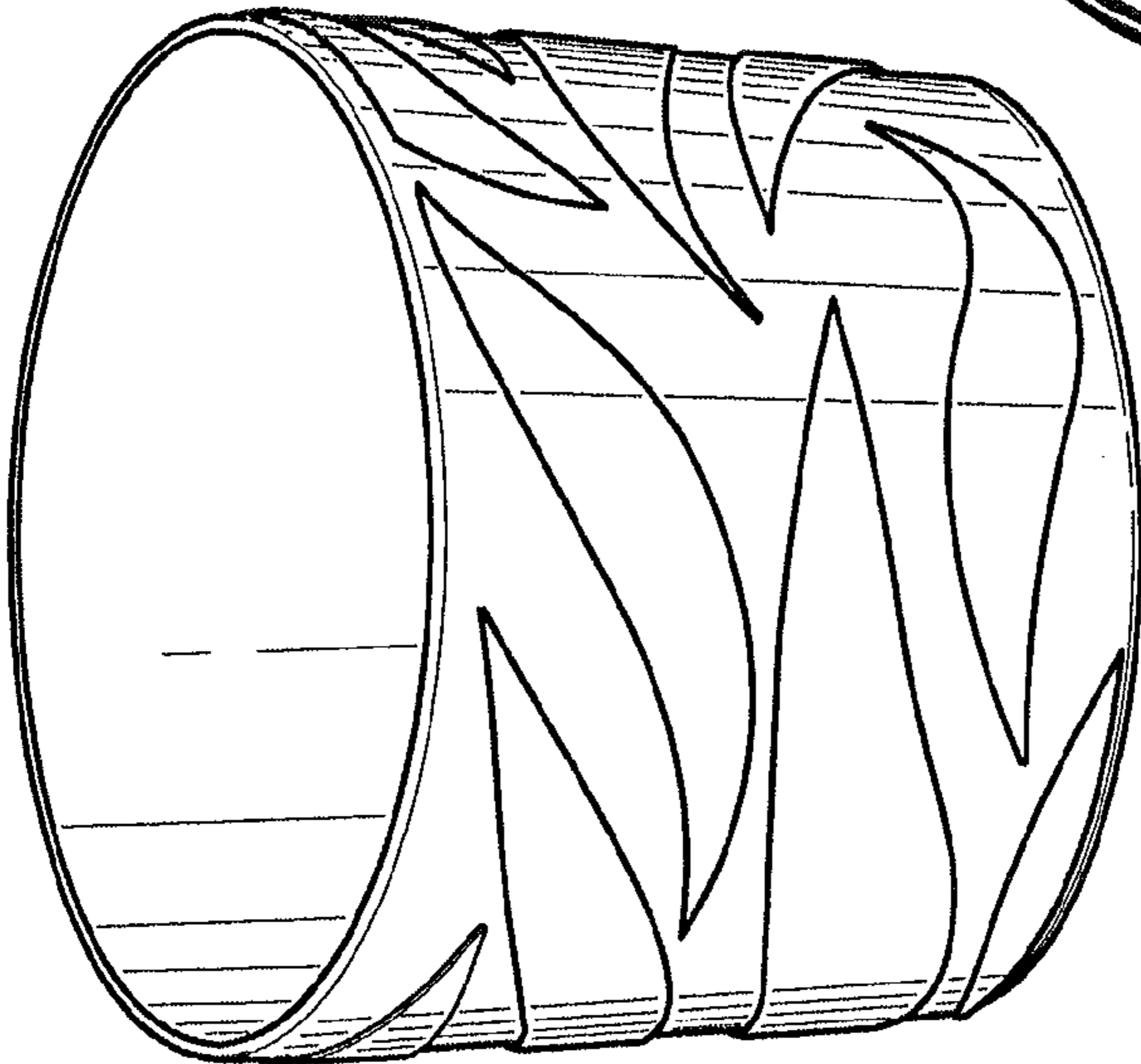


FIG. 1



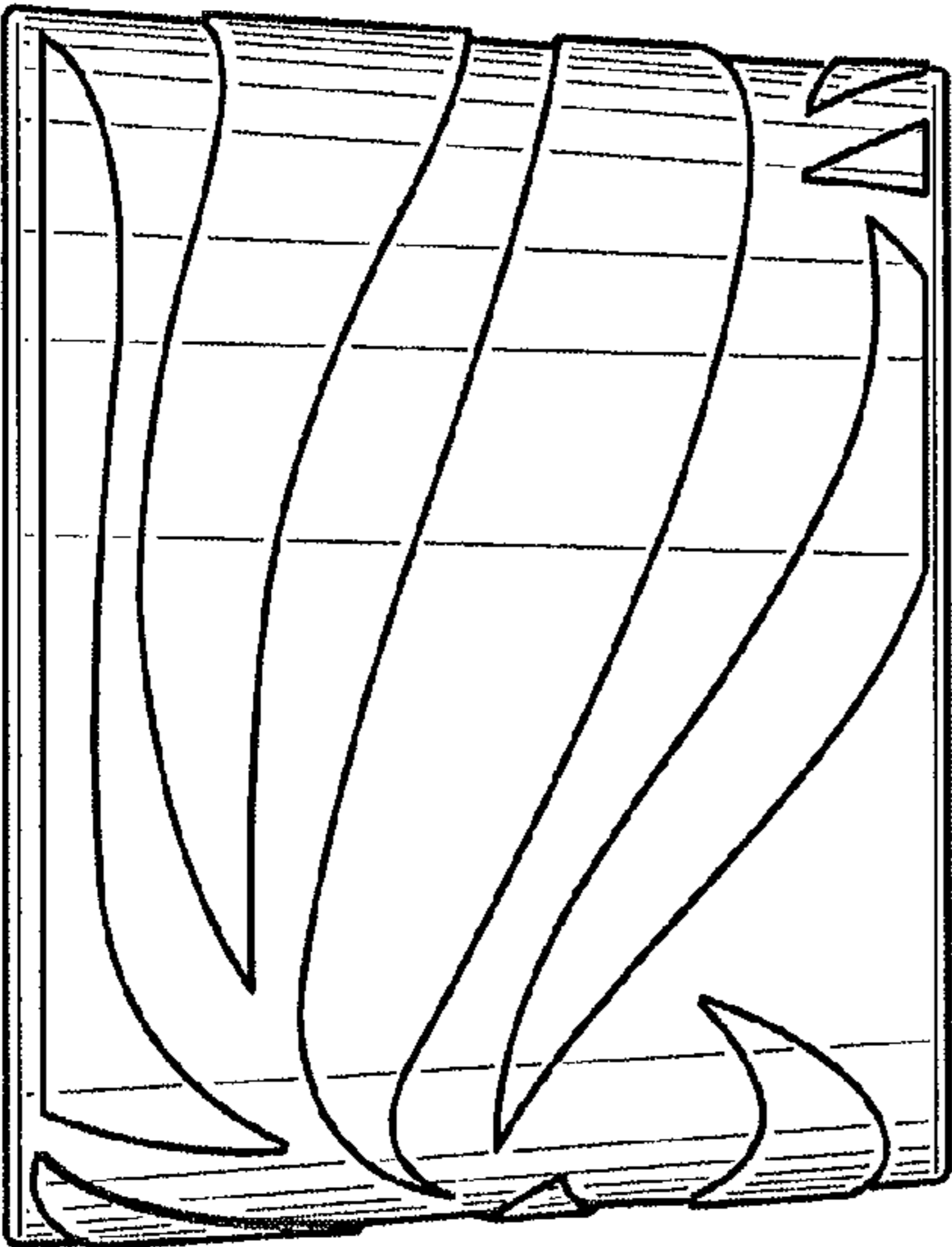


FIG. 5

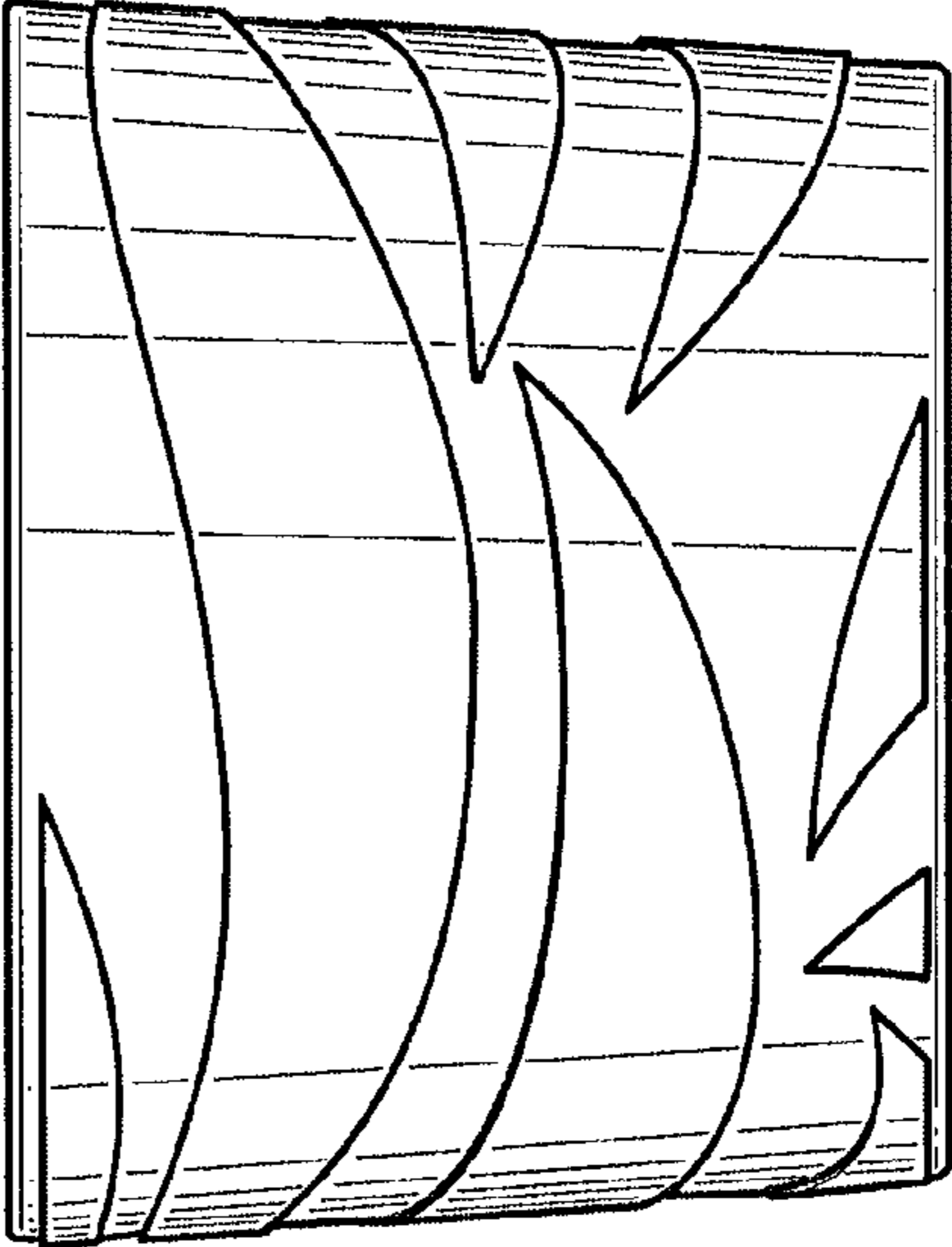


FIG. 7

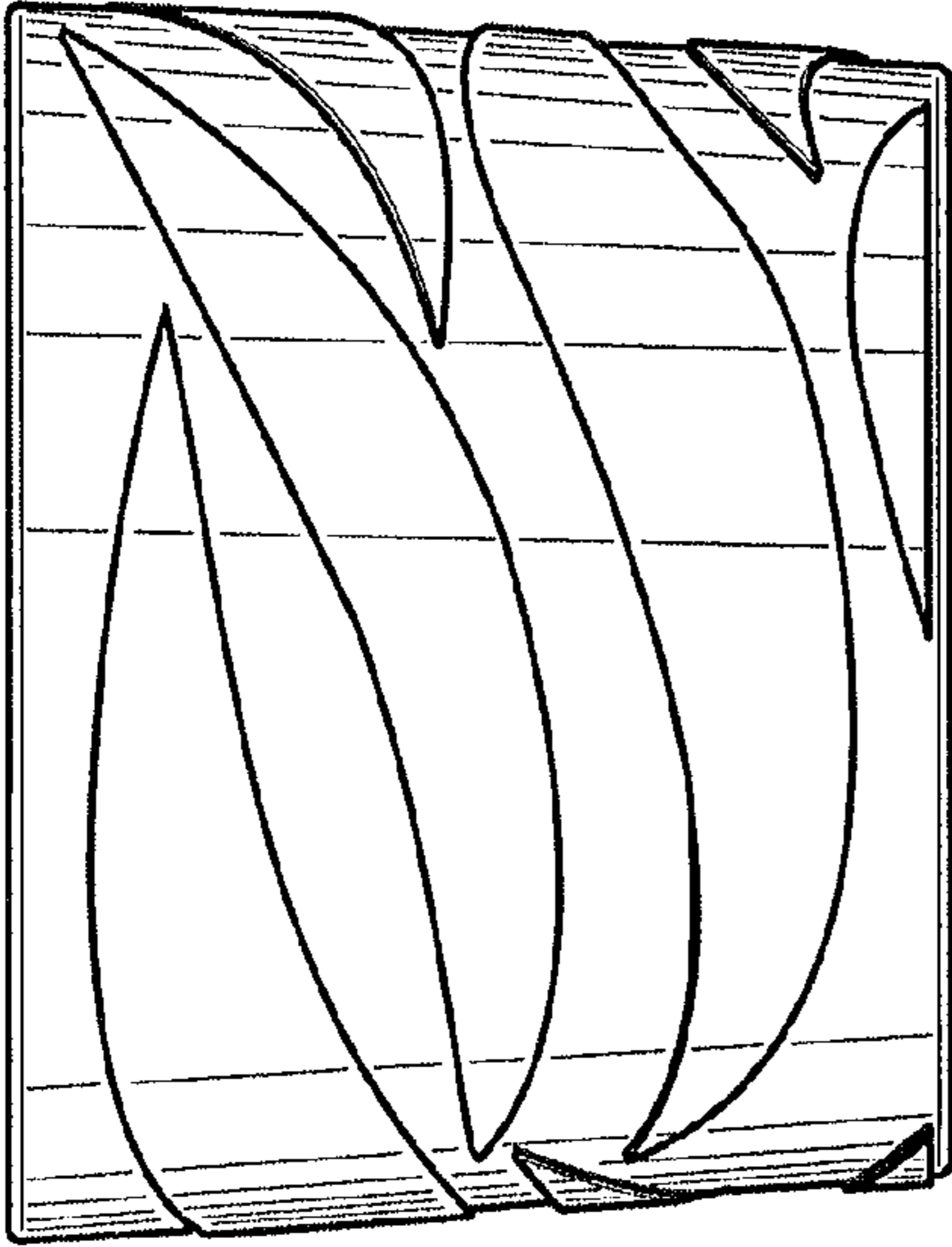


FIG. 4

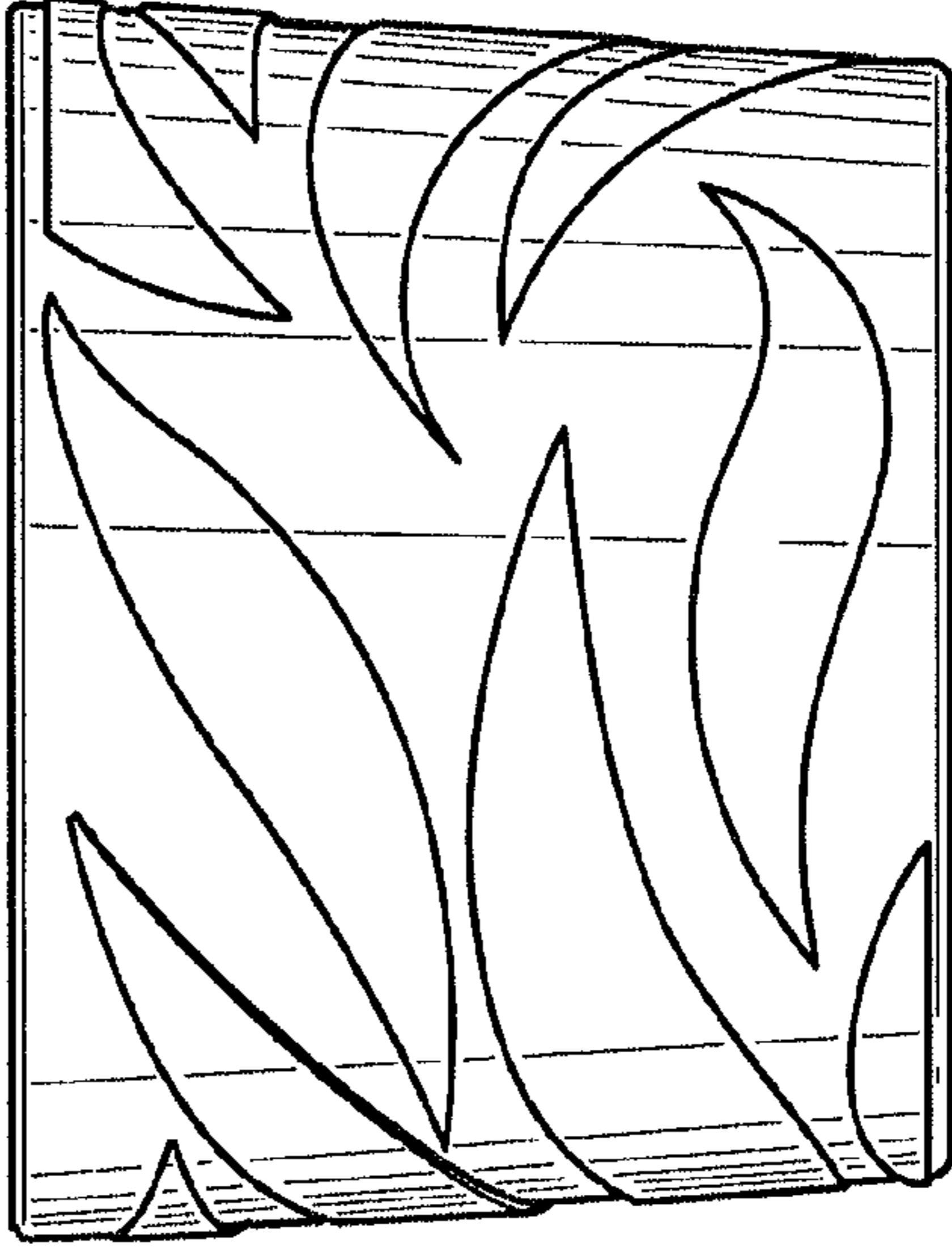


FIG. 6

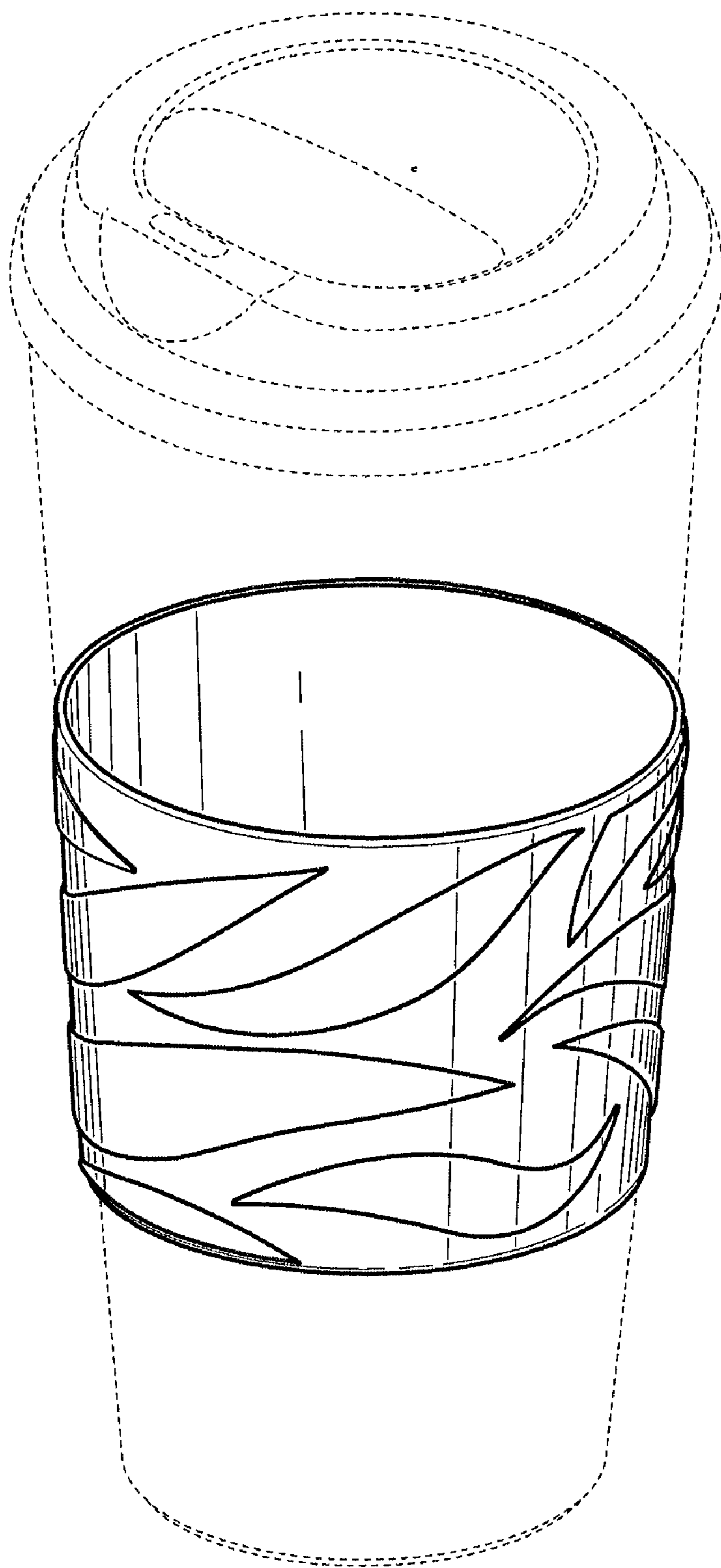


FIG. 8

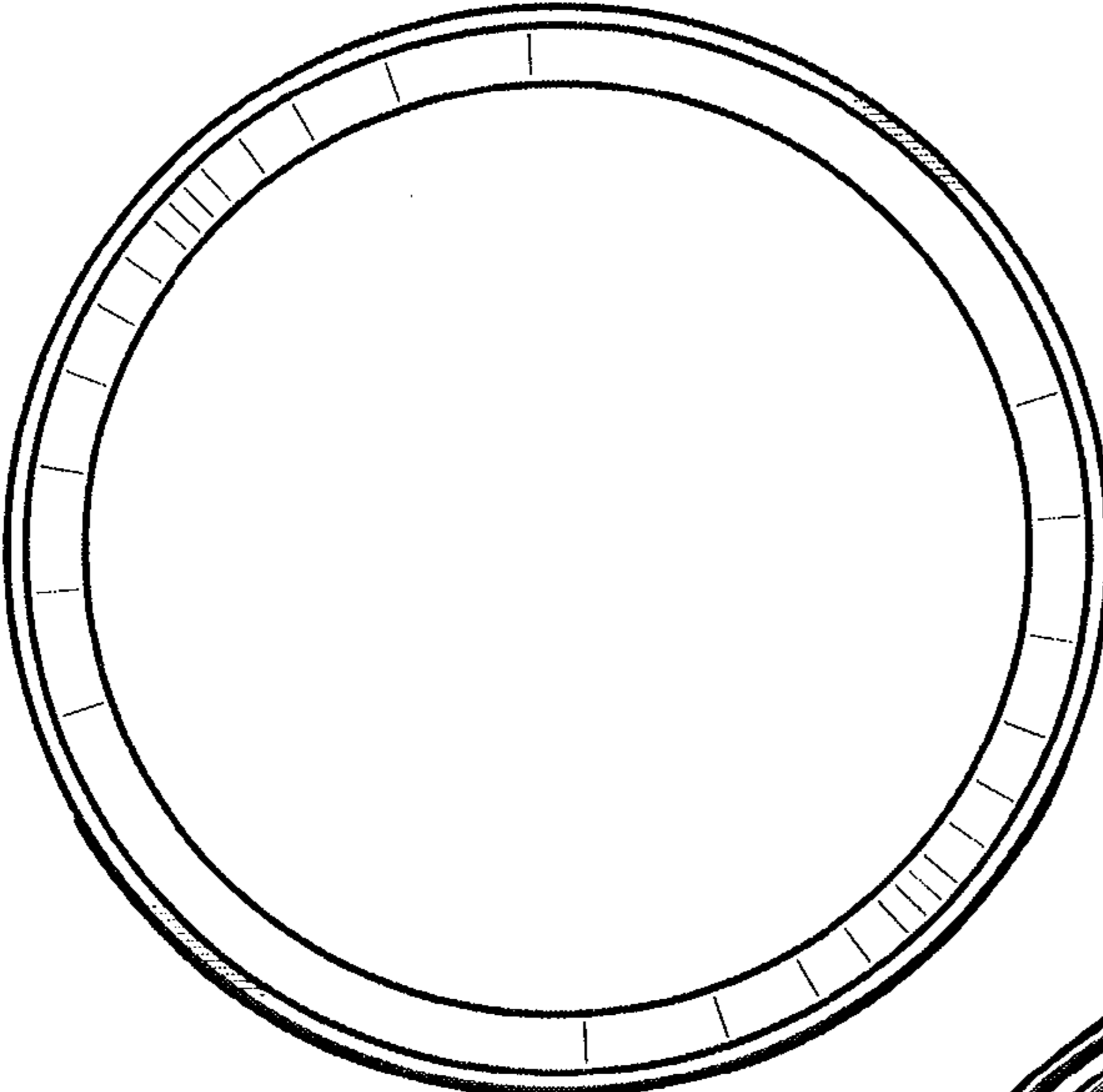


FIG. 10

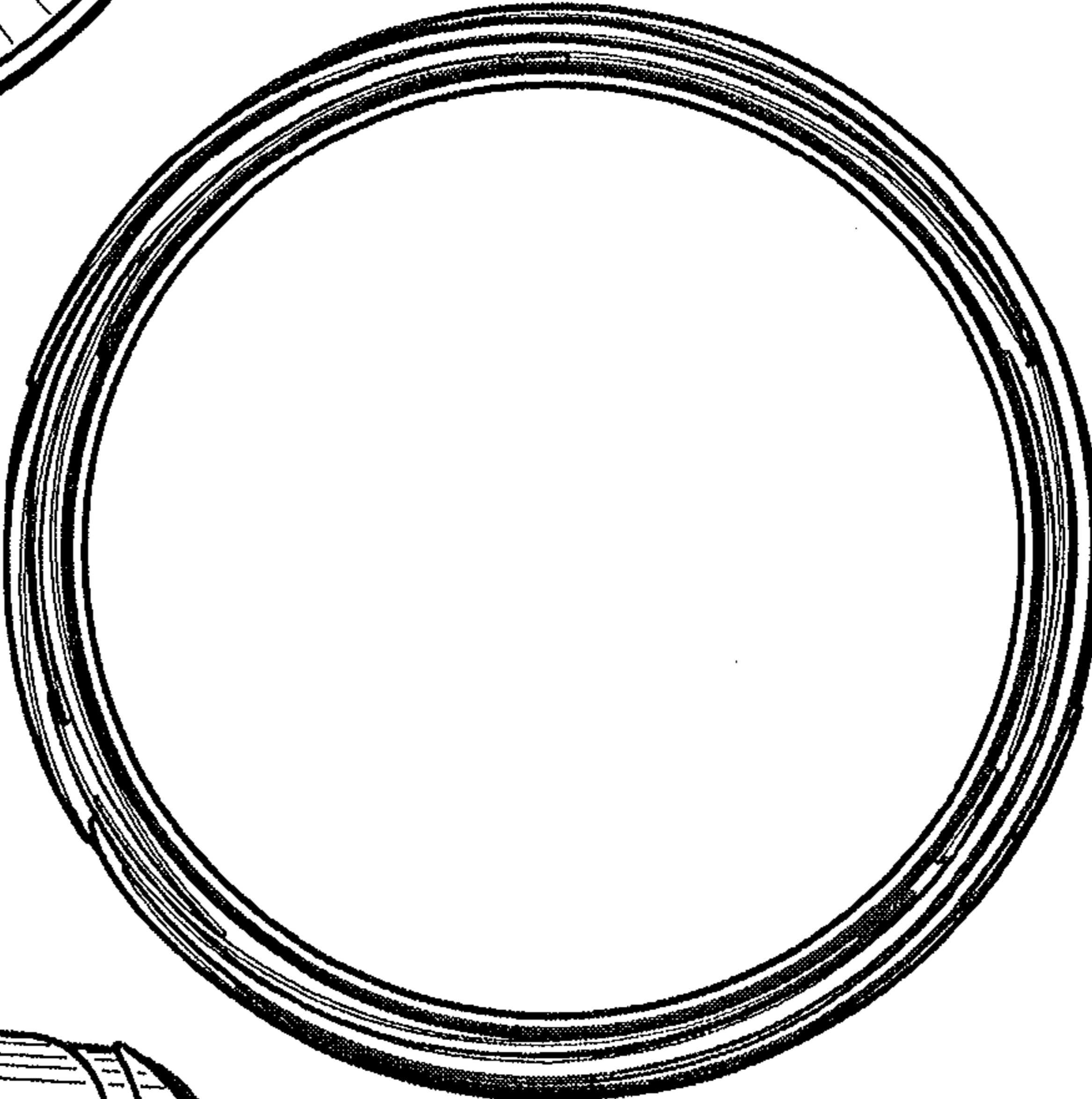


FIG. 11

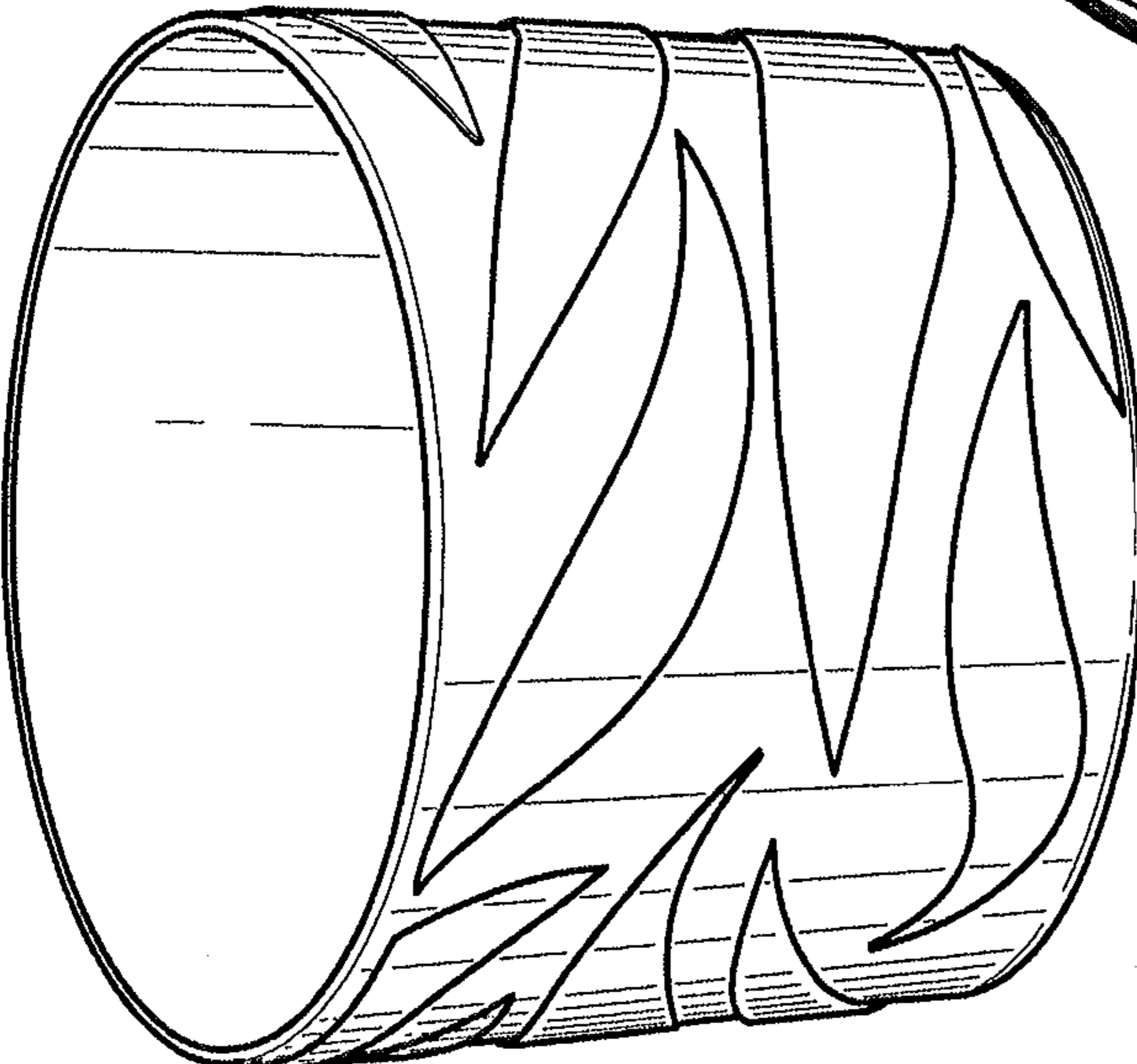


FIG. 9

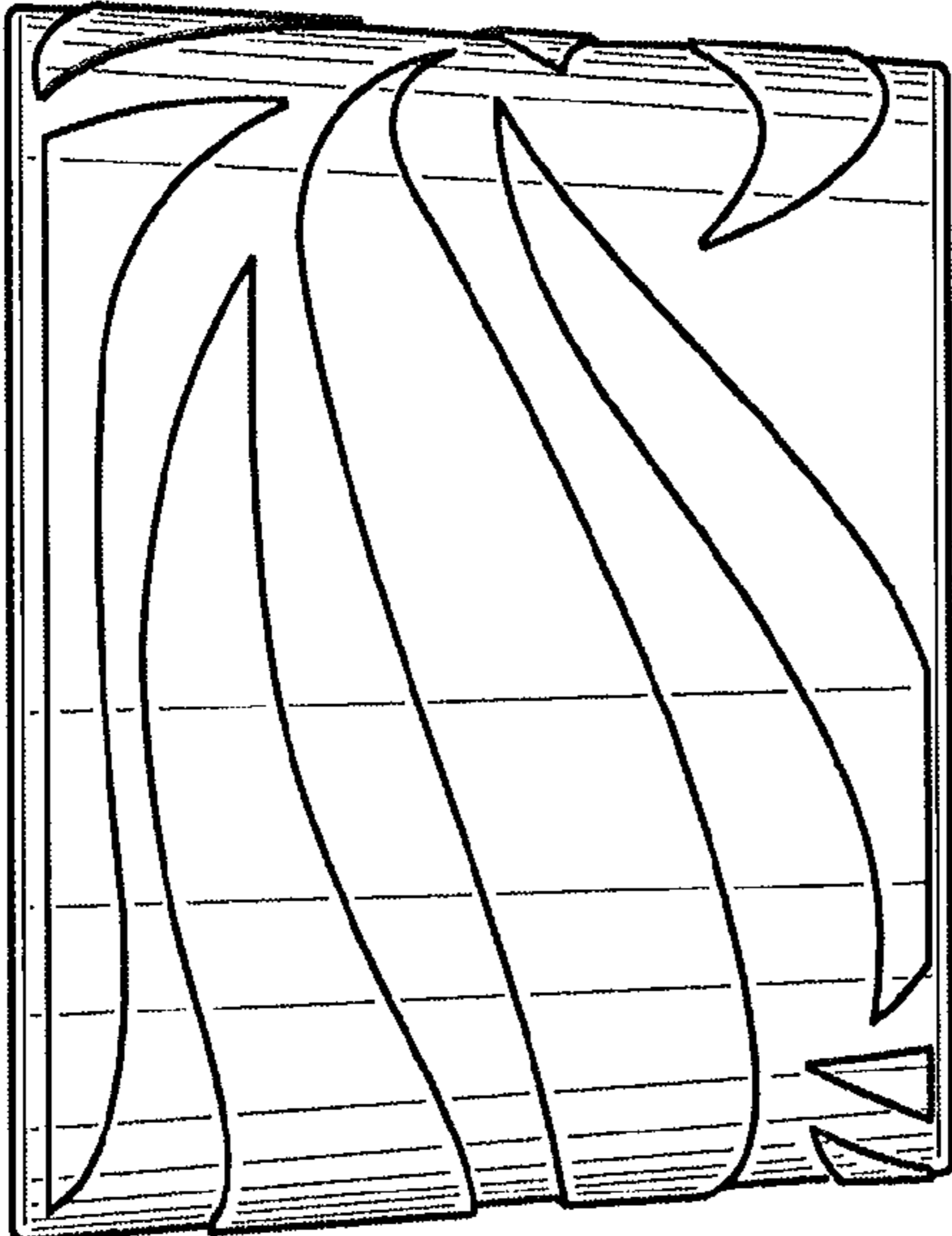


FIG. 13

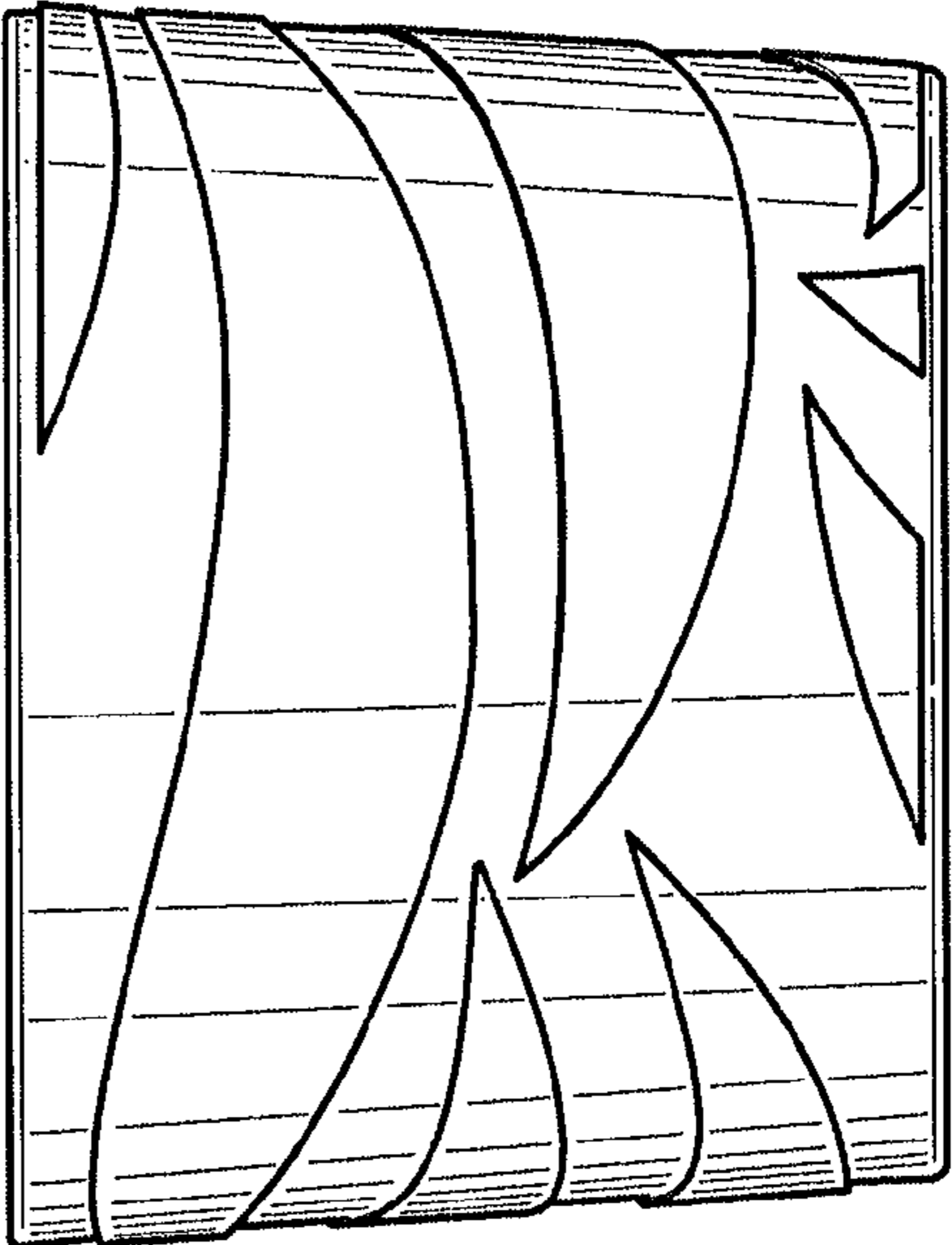


FIG. 15

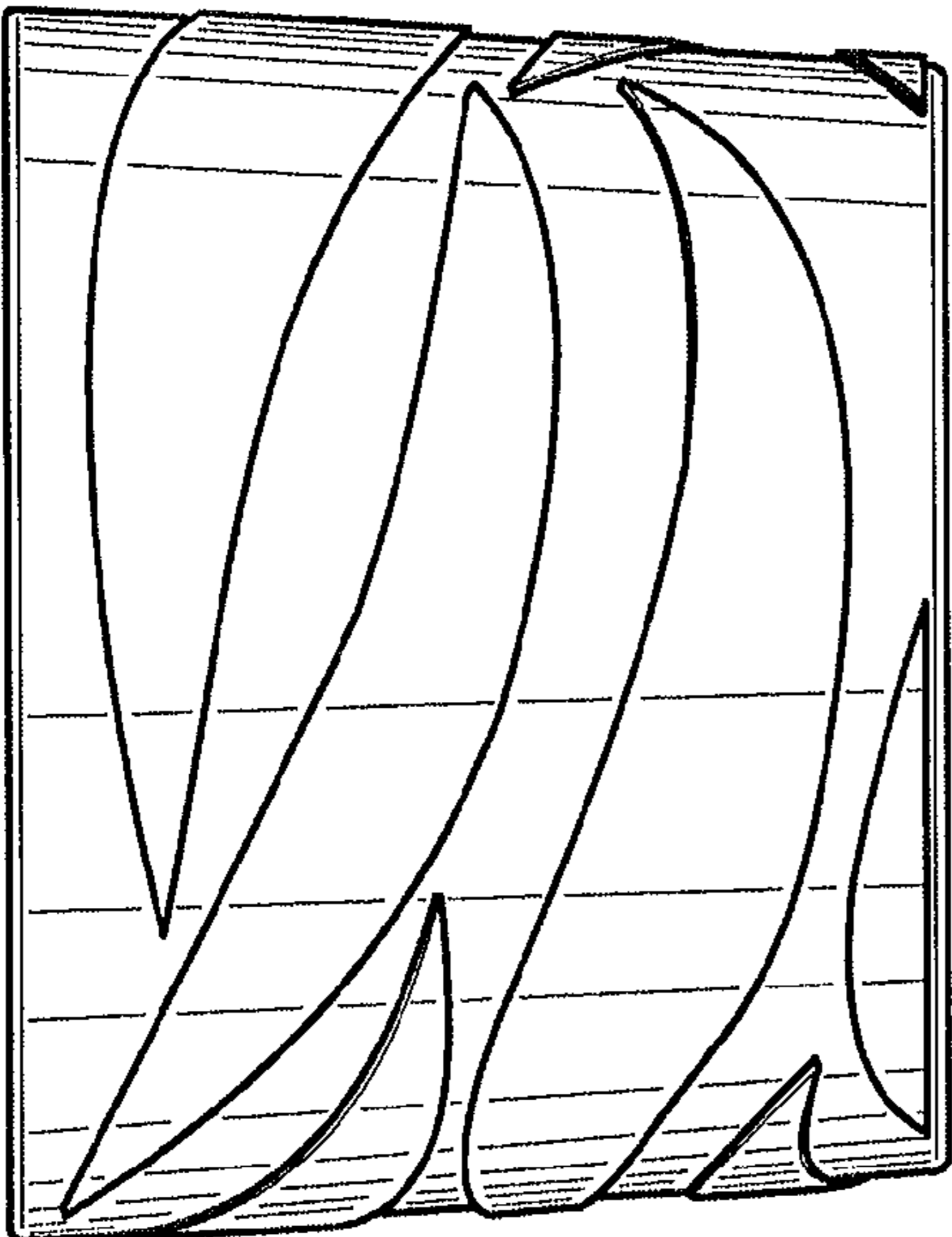


FIG. 12

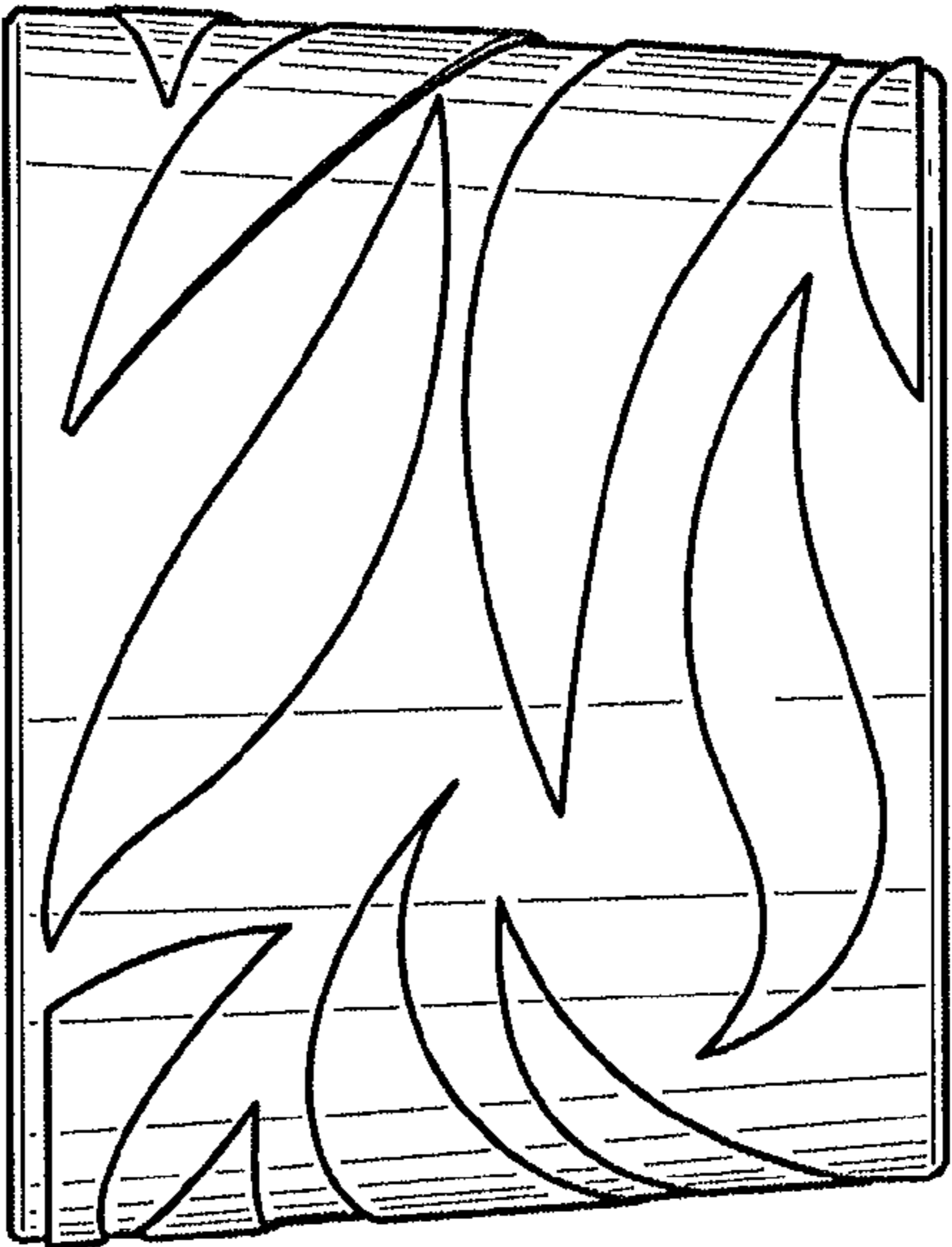


FIG. 14



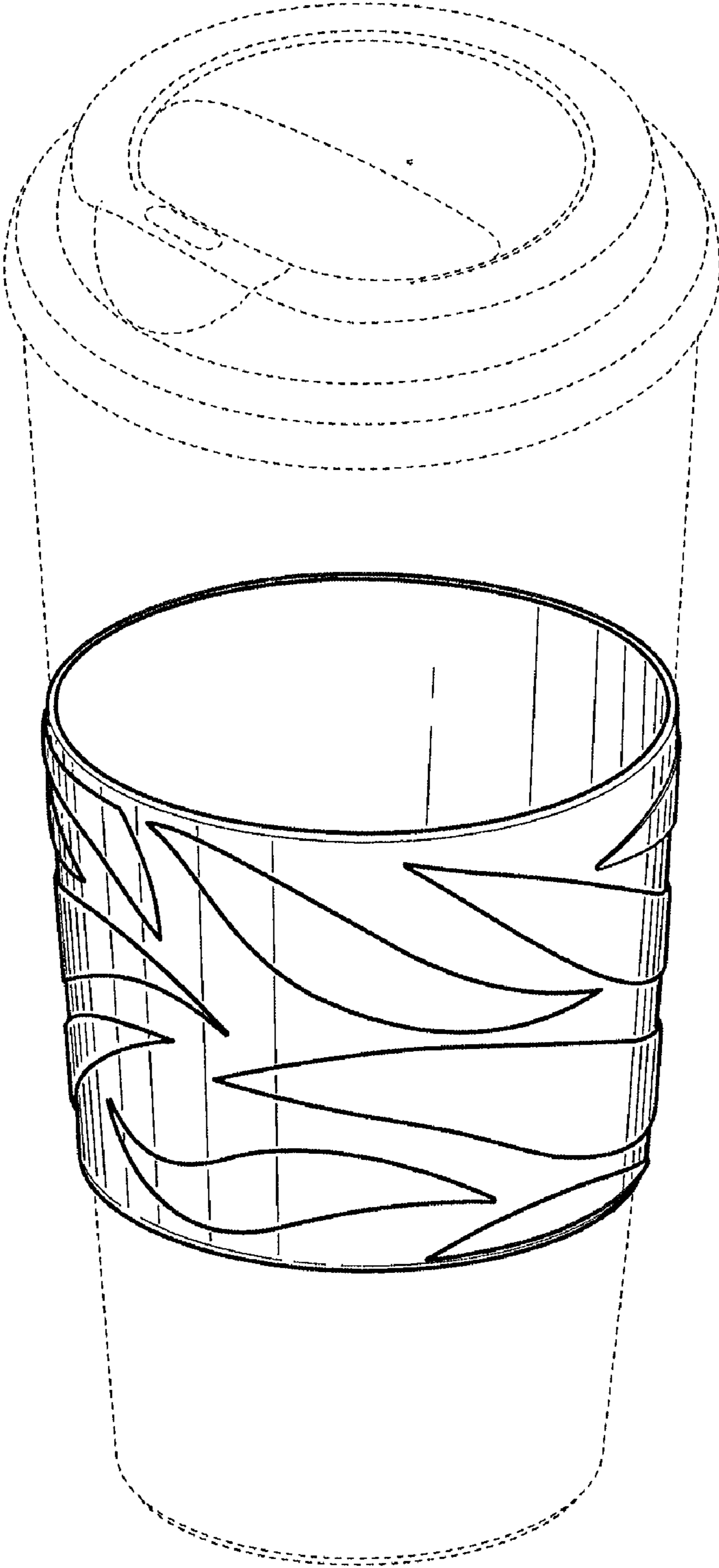


FIG. 16