

US00D664811S

(12) **United States Design Patent**  
**Chen**

(10) **Patent No.:** **US D664,811 S**

(45) **Date of Patent:** **\*\* Aug. 7, 2012**

(54) **SUPPORTING FRAME FOR SUPPORTING CUP-LIKE OBJECTS**

(76) **Inventor:** **Fang-Yin Chen, Taichung Hsien (TW)**

(\*\*) **Term:** **14 Years**

(21) **Appl. No.:** **29/402,038**

(22) **Filed:** **Sep. 20, 2011**

(51) **LOC (9) Cl.** ..... **07-06**

(52) **U.S. Cl.** ..... **D7/600.1**

(58) **Field of Classification Search** ..... D7/600.1-600.4,  
D7/704, 590, 619.1-625; D6/408, 463, 515,  
D6/462, 417, 535, 552, 556, 566, 567, 517,  
D6/553; 206/499; 47/39, 47, 41.14; 248/203,  
248/230.1, 311.2, 313; 211/59.2, 181.1,  
211/74, 71.01, 14, 13.1, 71.07, 49.1, 59.1,  
211/85.11, 106

See application file for complete search history.

(56) **References Cited**

**U.S. PATENT DOCUMENTS**

D250,776 S \* 1/1979 Hard ..... D6/566  
D361,449 S \* 8/1995 Rittenberg ..... D6/462

D461,987 S \* 8/2002 Smith ..... D6/566  
6,457,691 B1 \* 10/2002 Kao ..... 248/311.2  
D538,608 S \* 3/2007 Goodman et al. .... D7/704  
2004/0216372 A1 \* 11/2004 Voogt ..... 47/39

\* cited by examiner

*Primary Examiner* — Terry Wallace

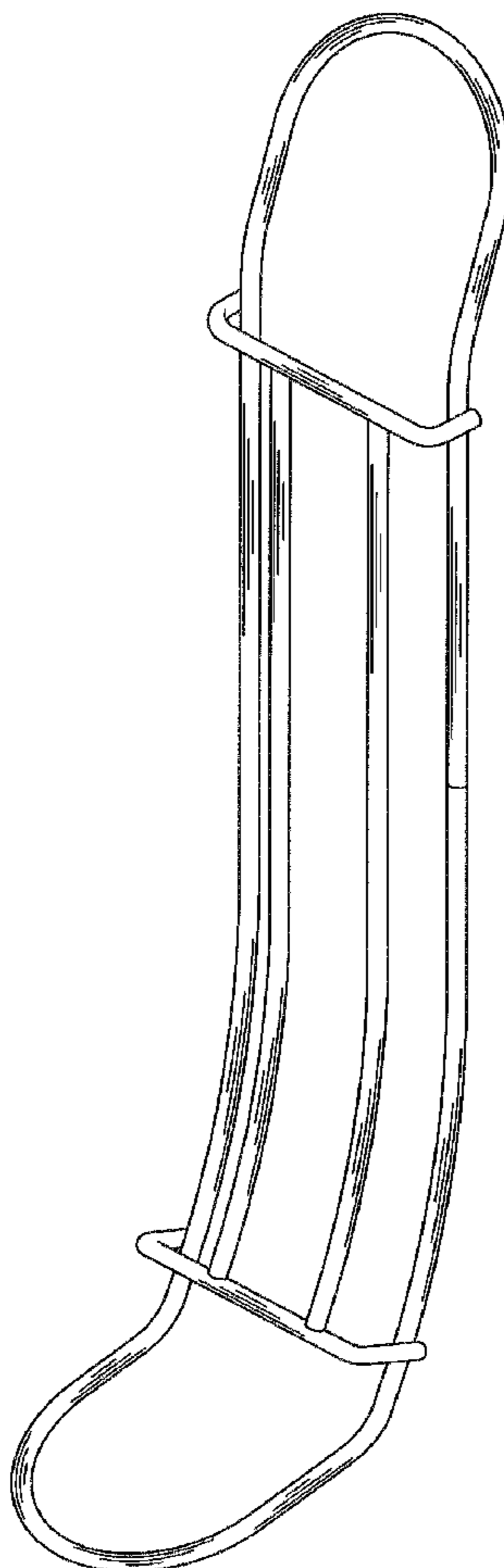
(57) **CLAIM**

The ornamental design for a supporting frame for supporting cup-like objects, as shown and described.

**DESCRIPTION**

FIG. 1 is a perspective view of a supporting frame for supporting cup-like objects showing my new design  
FIG. 2 is a front elevational view thereof  
FIG. 3 is a rear elevational view thereof.  
FIG. 4 is a left side view thereof  
FIG. 5 is a right side view thereof  
FIG. 6 is a top plan view thereof  
FIG. 7 is a bottom plan view thereof; and,  
FIG. 8 is a perspective view showing the application of the present invention, where those indicated by dashed lines are not claimed.

**1 Claim, 5 Drawing Sheets**



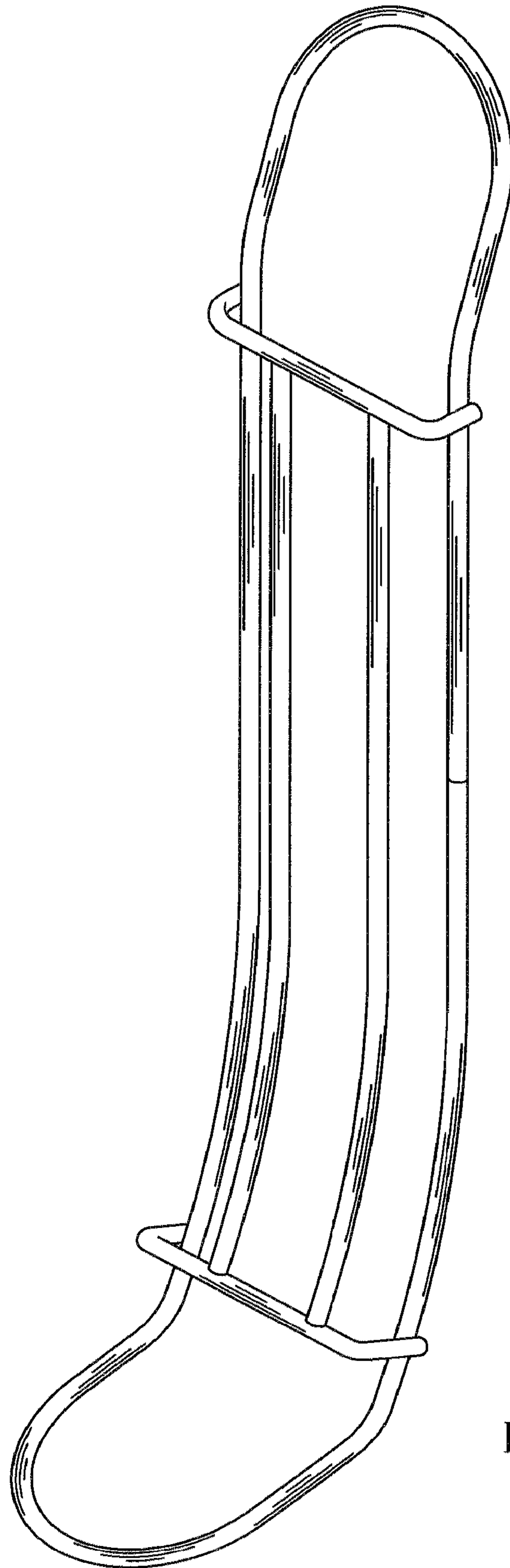


FIG. 1

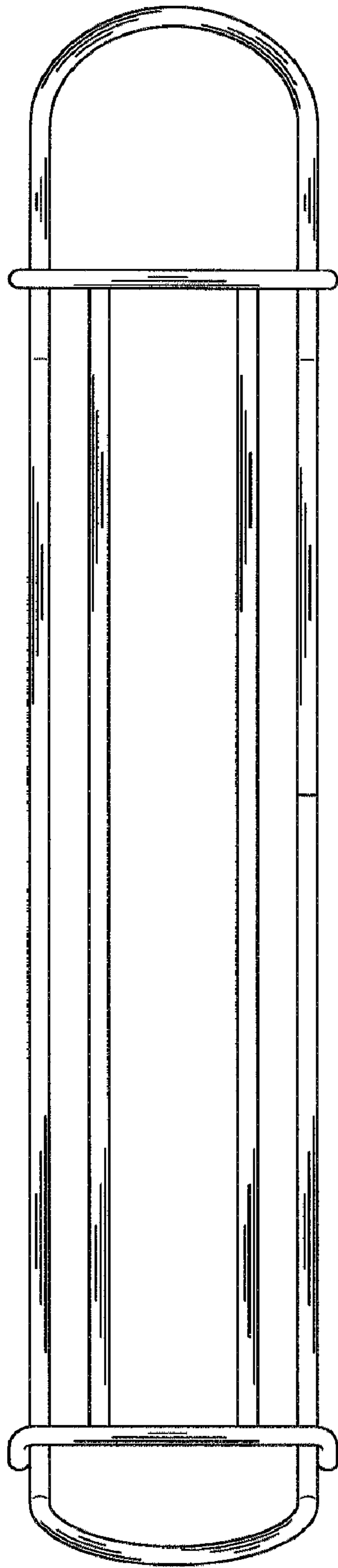


FIG. 2

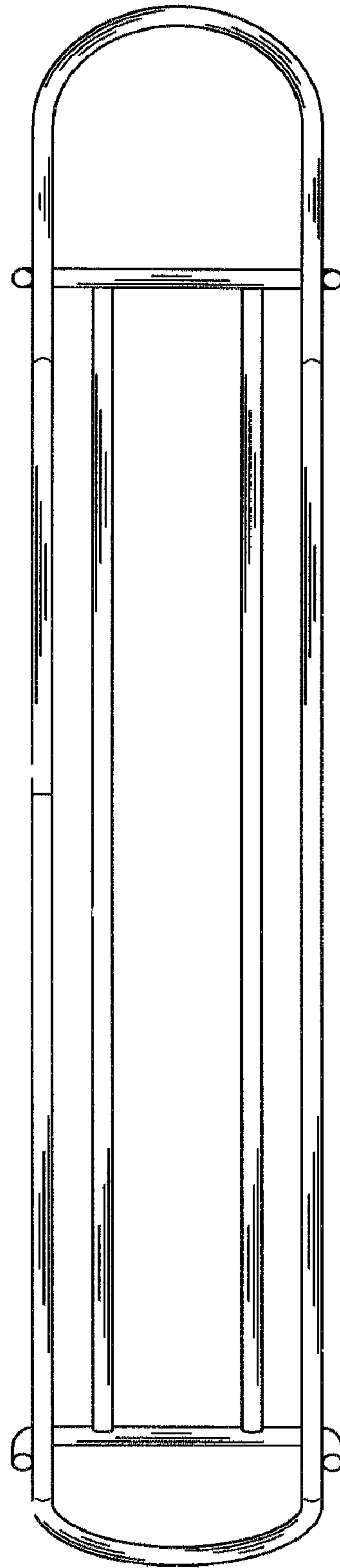


FIG. 3

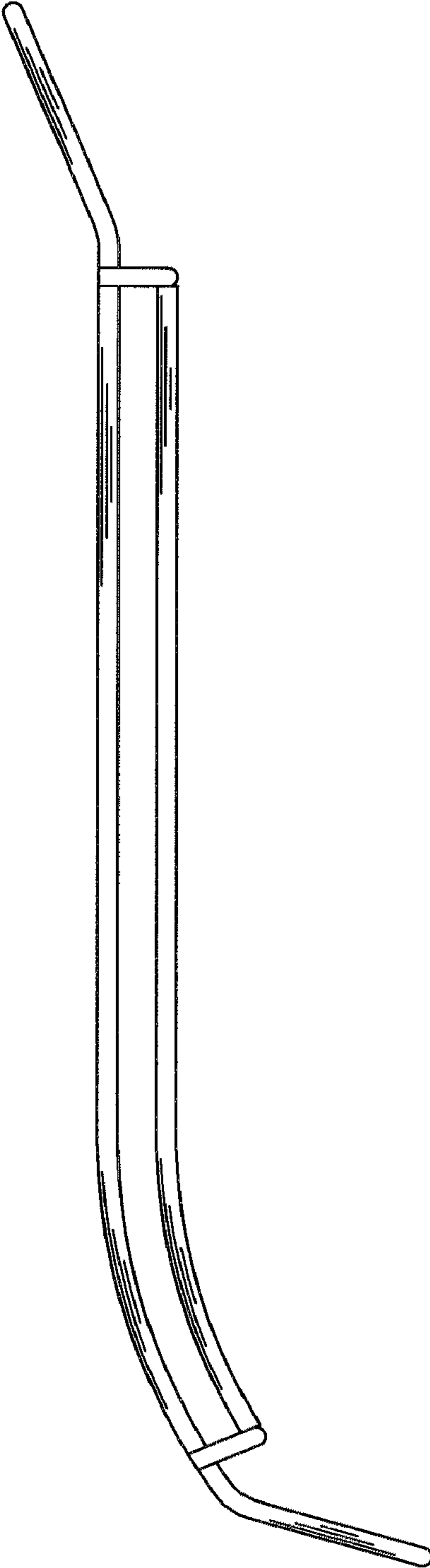


FIG. 4

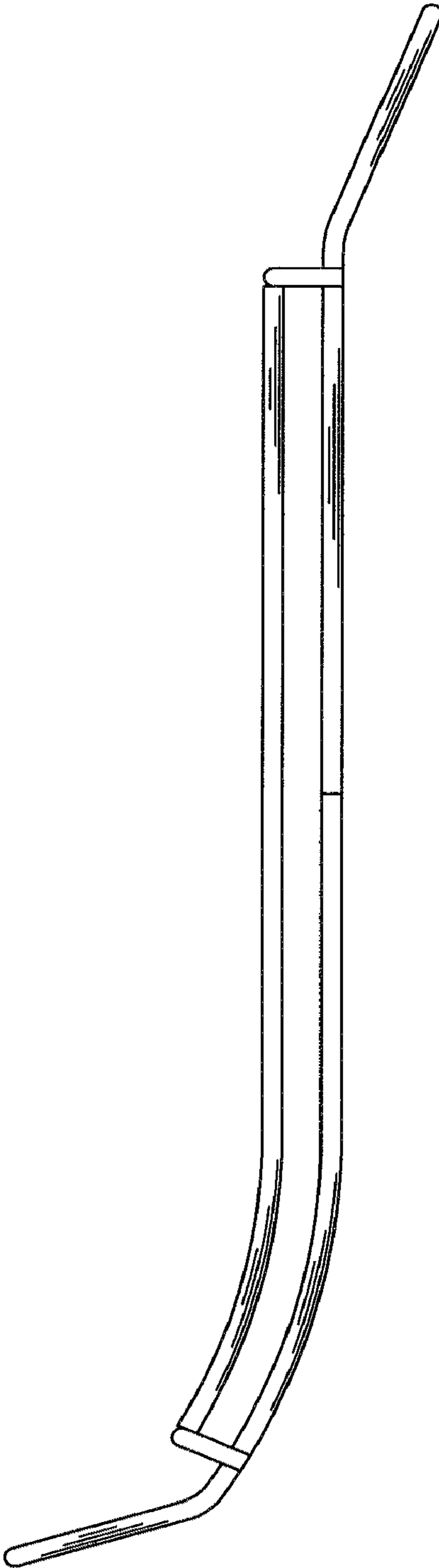


FIG. 5

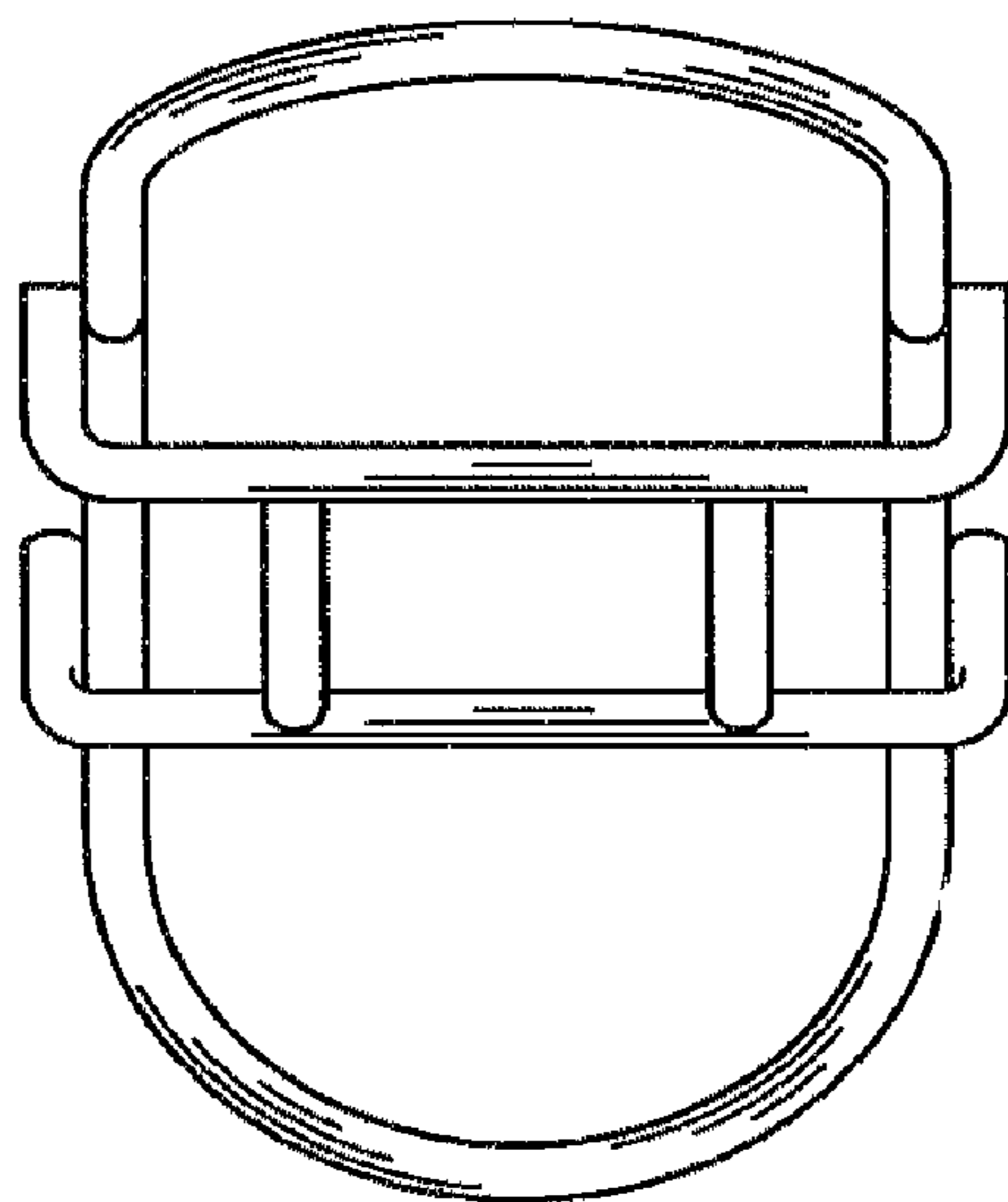


FIG. 6

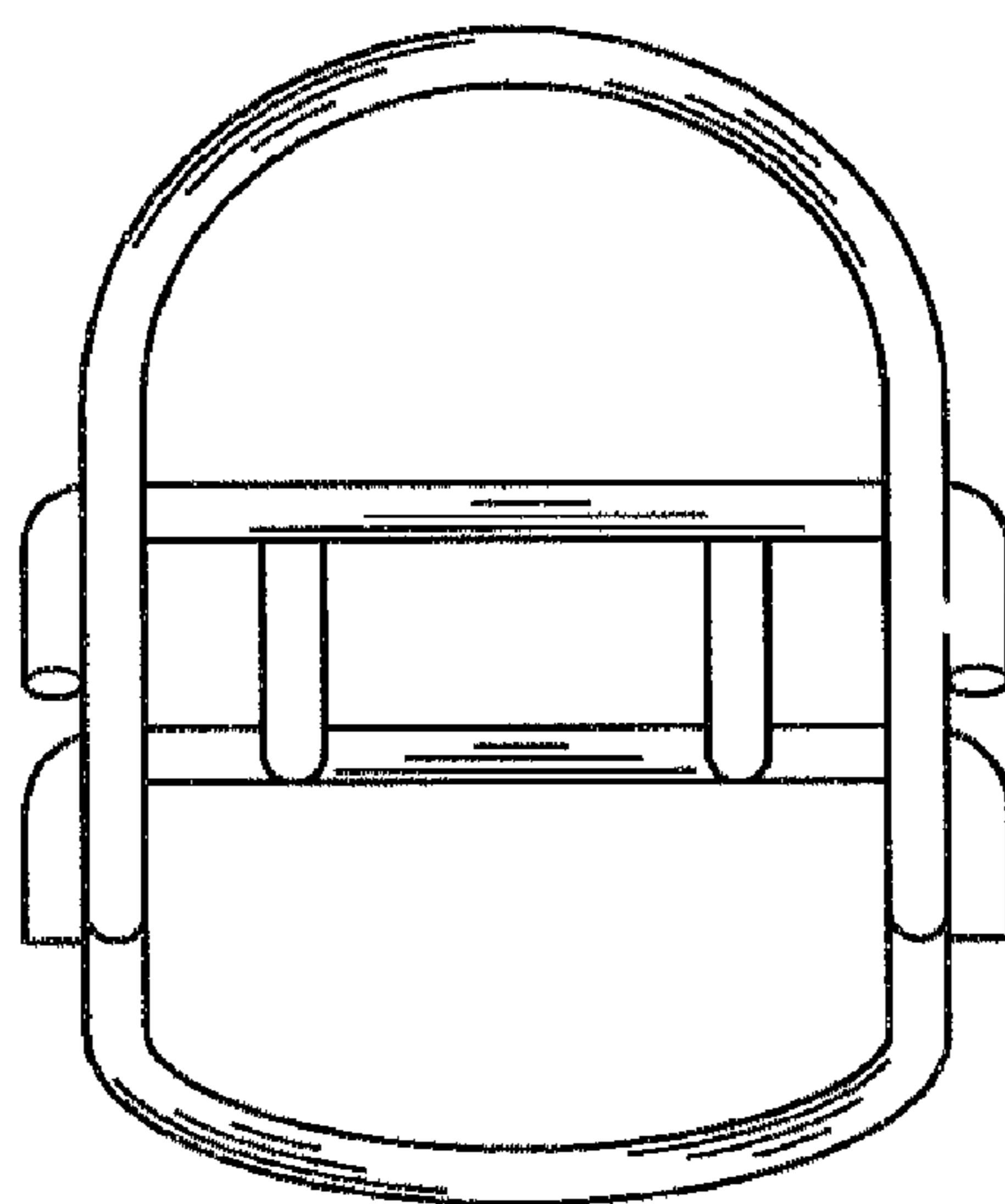


FIG. 7

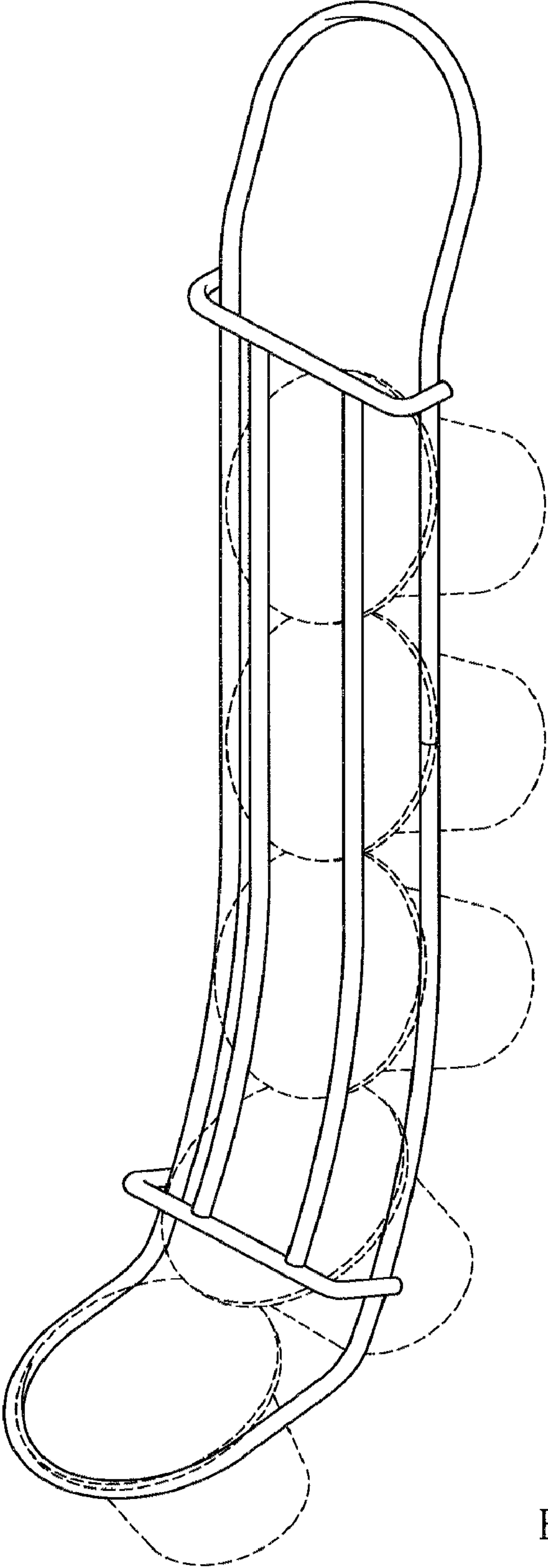


FIG. 8