



US00D664810S

(12) **United States Design Patent**
Borrello et al.

(10) **Patent No.:** **US D664,810 S**

(45) **Date of Patent:** **** Aug. 7, 2012**

- (54) **BEVERAGE CONTAINER**
- (75) Inventors: **George Borrello**, Irving, NY (US); **Scott Strobel**, Plymouth, CT (US); **Ronald Schoelkopf**, White Hall, MD (US); **Lee D. Stoeckel**, Tonawanda, NY (US)
- (73) Assignee: **Progressive Specialty Glass Co., Inc.**, Plainville, CT (US)

D489,785	S	*	5/2004	Kim	D21/812
D493,333	S	*	7/2004	Bydalek	D7/523
D502,056	S		2/2005	Bakti		
D620,314	S		7/2010	Dorsey et al.		
D649,404	S	*	11/2011	Fawcett	D7/515
2005/0145594	A1		7/2005	Dorsey et al.		
2005/0147259	A1		7/2005	Dorsey et al.		
2005/0184137	A1		8/2005	Dorsey et al.		
2005/0230461	A1		10/2005	Hokanson		
2007/0194030	A1		8/2007	Bakti		

- (**) Term: **14 Years**
- (21) Appl. No.: **29/382,310**

FOREIGN PATENT DOCUMENTS

JP 2002123258 A 4/2002

* cited by examiner

- (22) Filed: **Dec. 31, 2010**
- (51) **LOC (9) Cl.** **07-01**
- (52) **U.S. Cl.** **D7/515; D7/536**
- (58) **Field of Classification Search** D7/514, D7/515, 510, 511, 533, 536; D24/198; D21/411; D9/665; 220/DIG. 13, 703, 630, 709; 215/382
See application file for complete search history.

Primary Examiner — Marianne Pandozzi

(74) *Attorney, Agent, or Firm* — The Bilicki Law Firm, P.C.;
Cart A. Hjort, III

(57) **CLAIM**

The ornamental design for a beverage container, as shown and described.

(56) **References Cited**

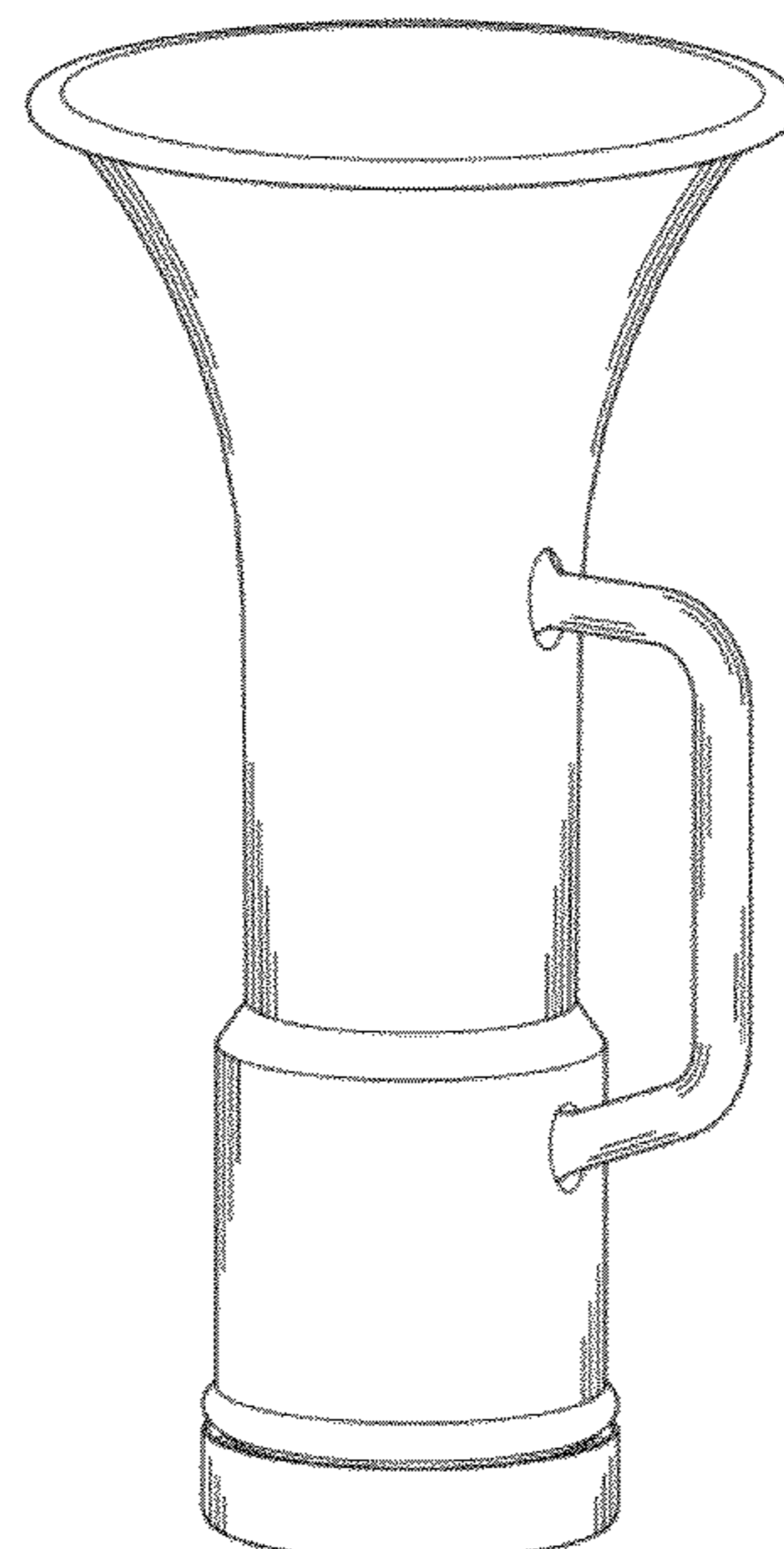
DESCRIPTION

U.S. PATENT DOCUMENTS

D52,350	S	*	8/1918	Saunders	D7/536
D165,946	S	*	2/1952	Thompson	D21/411
4,125,218	A		11/1978	DeBoer		
D273,404	S	*	4/1984	Takahashi	D21/411
D275,438	S		9/1984	Everson		
D283,772	S	*	5/1986	Vail	D7/536
4,618,066	A		10/1986	Vail		
D303,431	S	*	9/1989	Brown	D24/198
D310,568	S	*	9/1990	Chapin	D24/198
D318,921	S	*	8/1991	Chapin	D24/198
D333,409	S		2/1993	Dietzmann		
5,501,363	A		3/1996	Muller et al.		
D370,831	S		6/1996	Steinfels, III et al.		
5,967,405	A		10/1999	Hanauska		
5,967,875	A		10/1999	Graef		
5,967,876	A	*	10/1999	Kollmanthaler et al.	450/41
6,439,419	B1	*	8/2002	Darabi	220/703

FIG. 1 is a front perspective view of a beverage container according to the present design.
 FIG. 2 is a front view of a beverage container according to the present design.
 FIG. 3 is a rear view of a beverage container according to the present design.
 FIG. 4 is a left side view of a beverage container according to the present design.
 FIG. 5 is a right side view of a beverage container according to the present design.
 FIG. 6 is a top view of a beverage container according to the present design; and,
 FIG. 7 is a bottom view of a beverage container according to the present design.

1 Claim, 6 Drawing Sheets



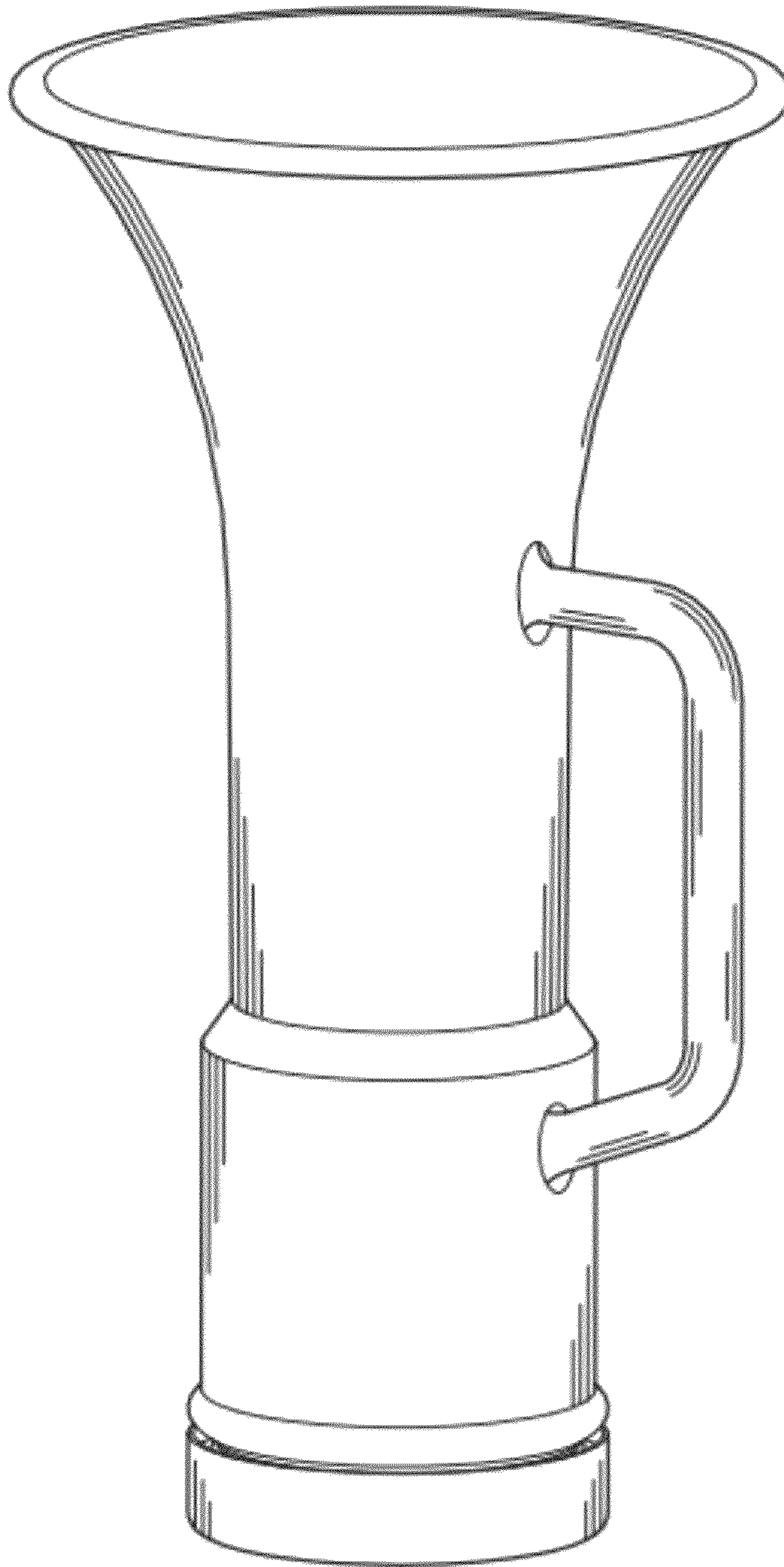


FIG. 1

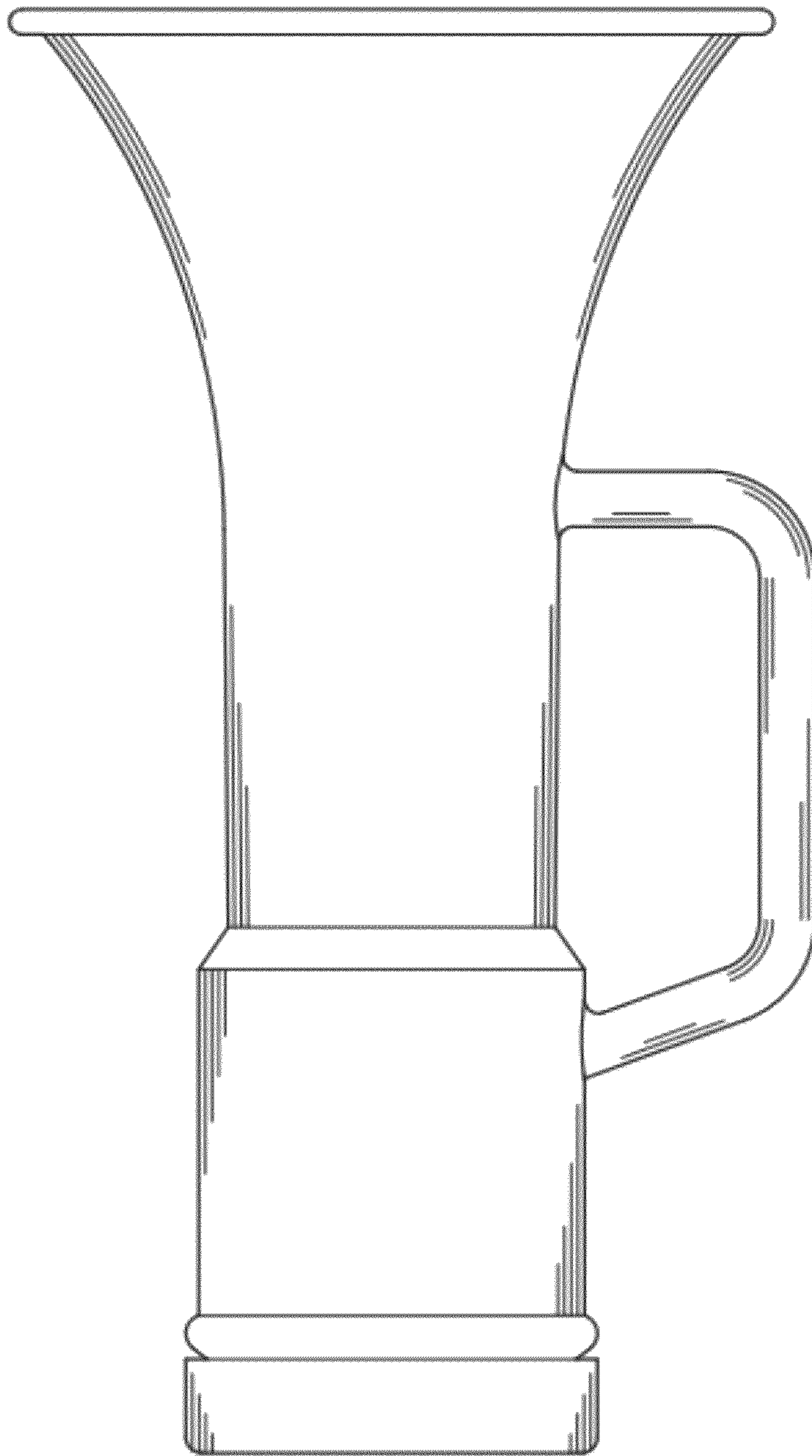


FIG. 2

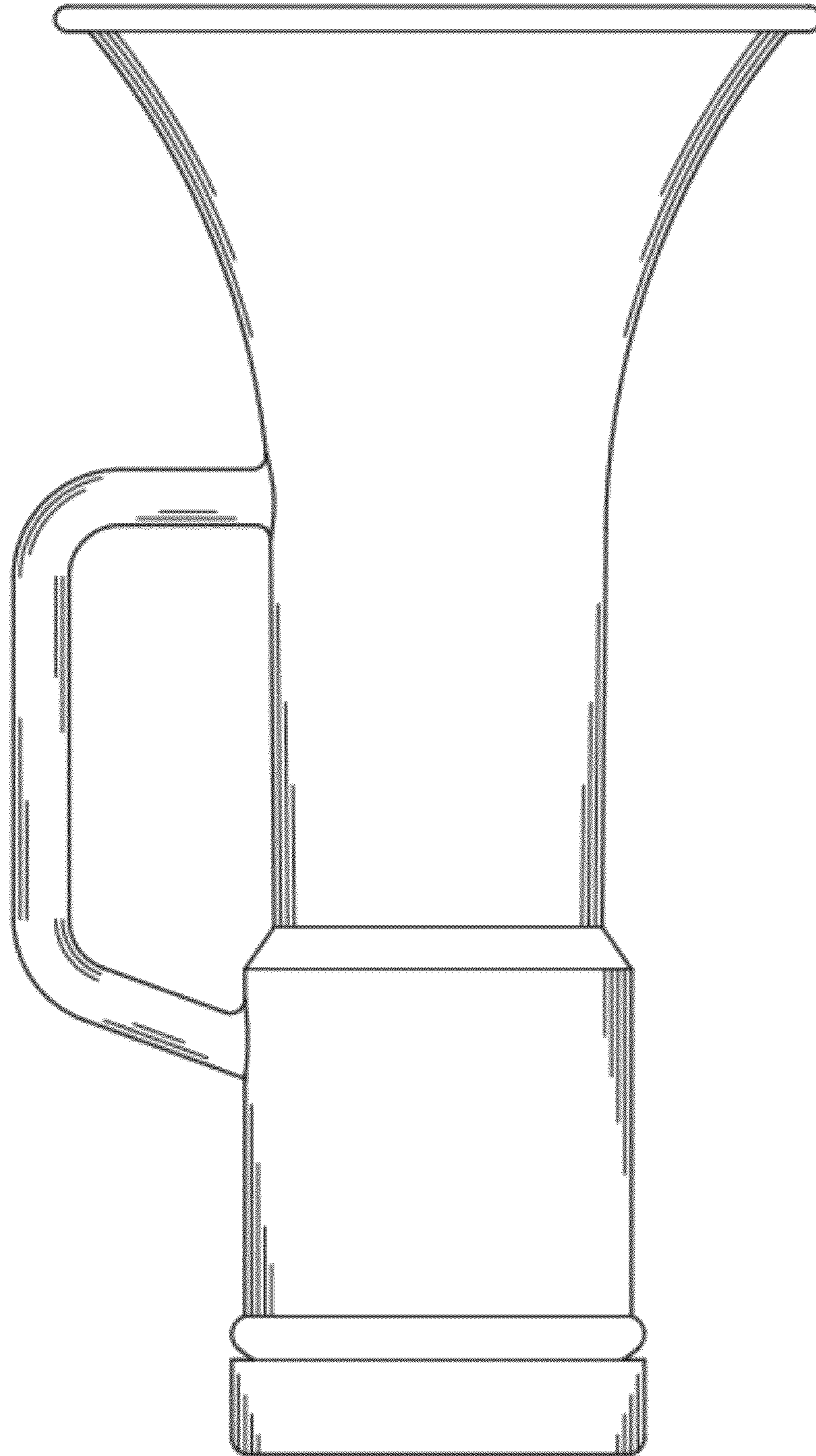


FIG. 3

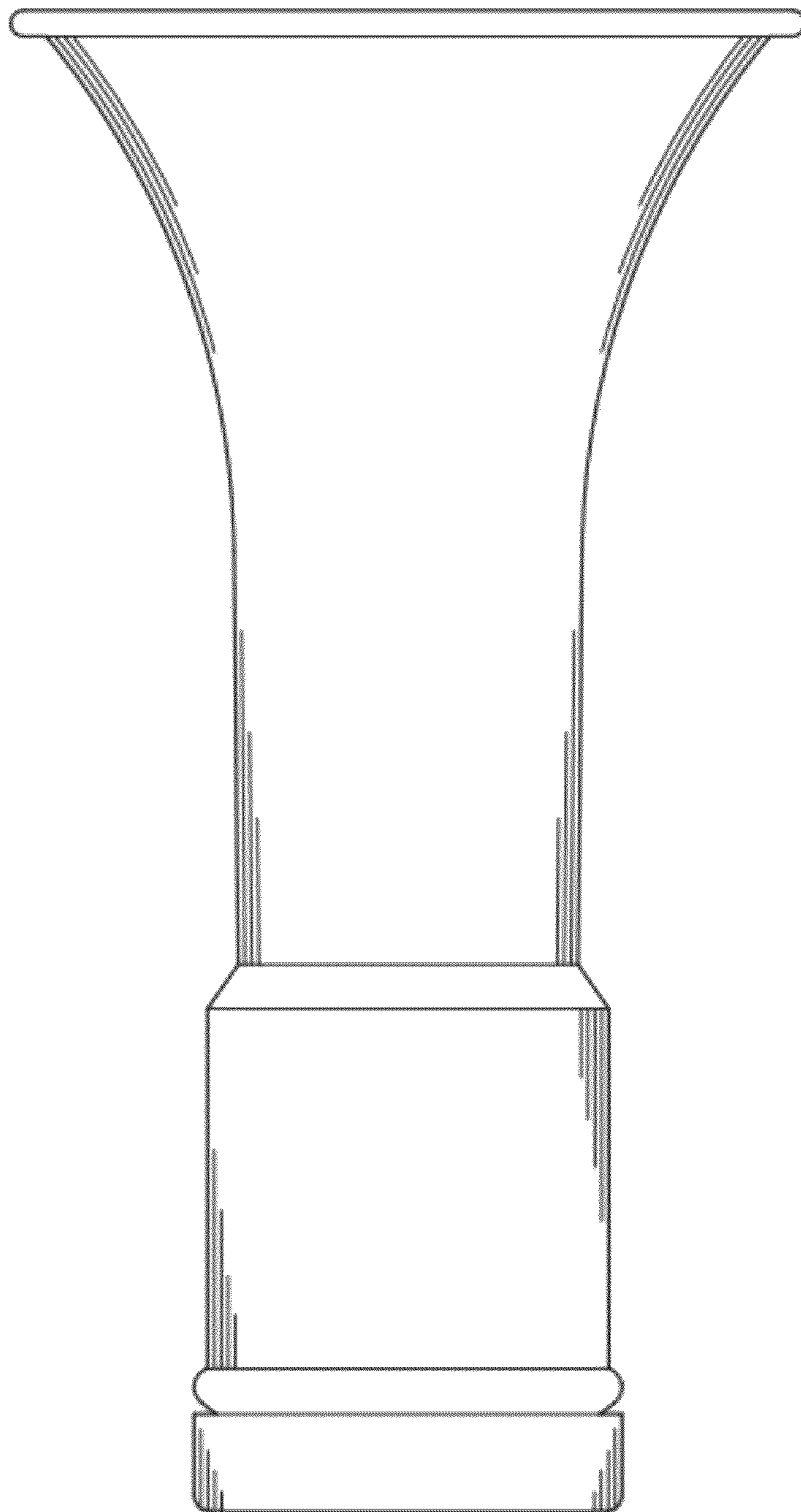


FIG. 4

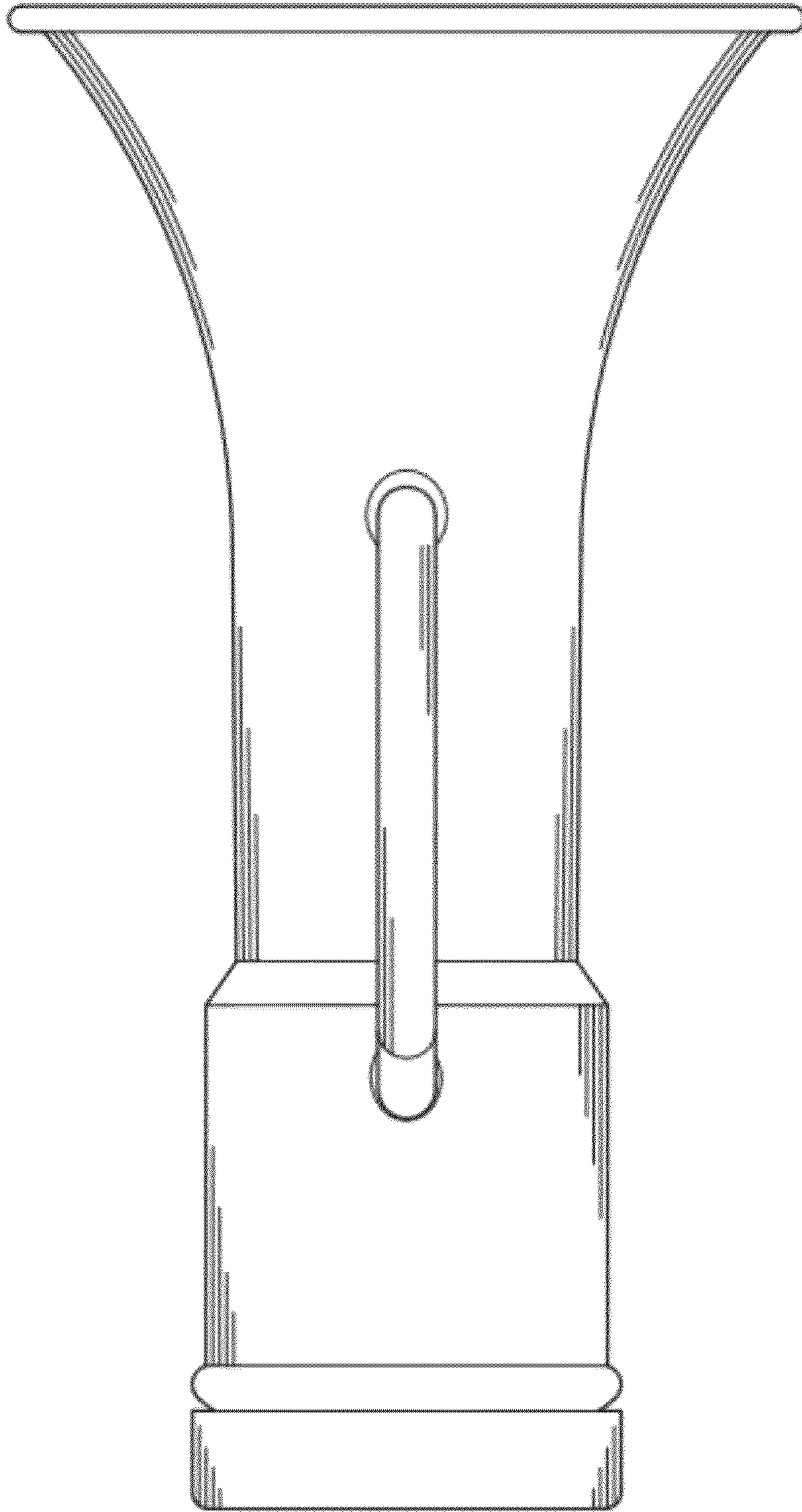


FIG. 5

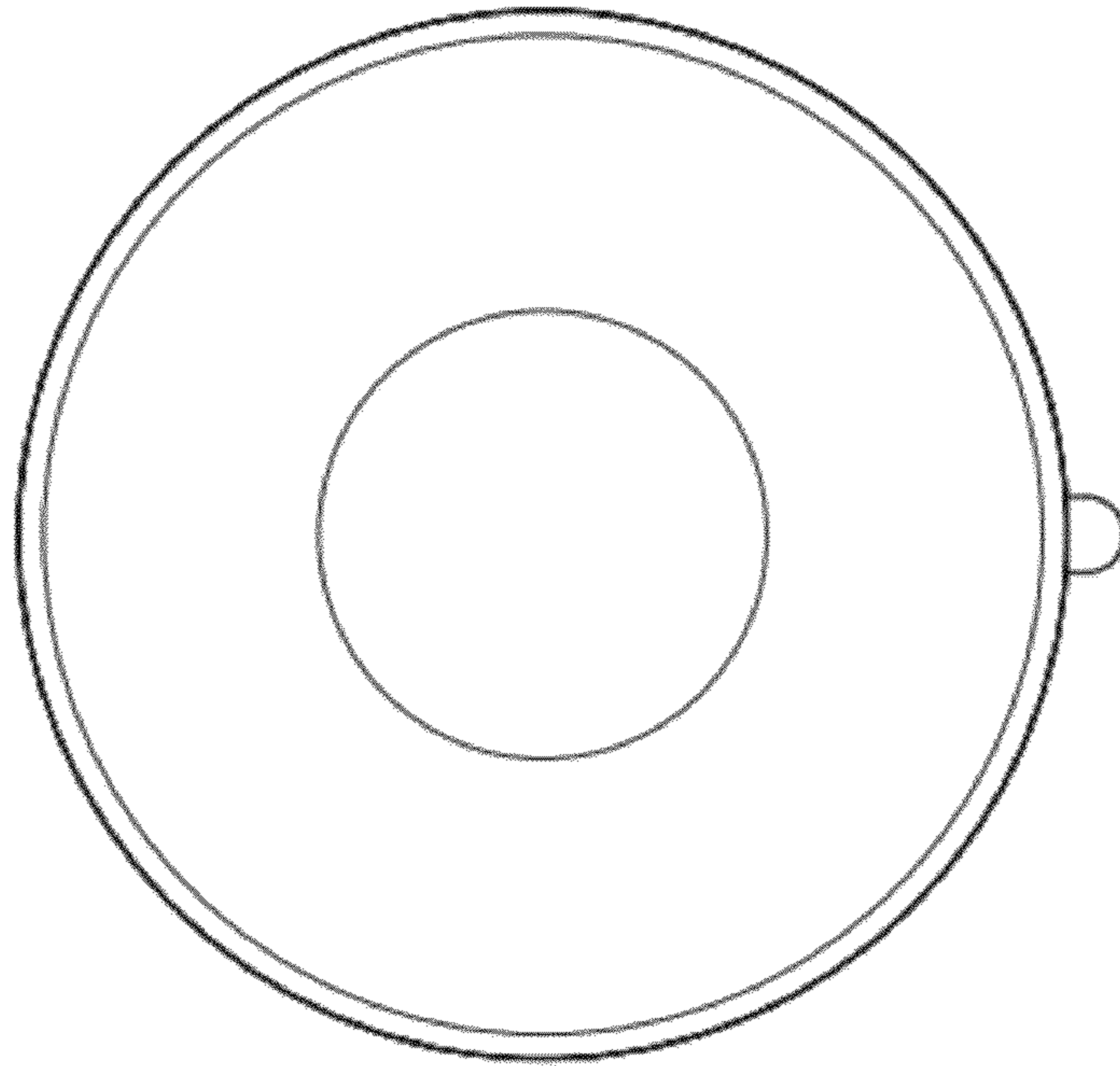


FIG. 6

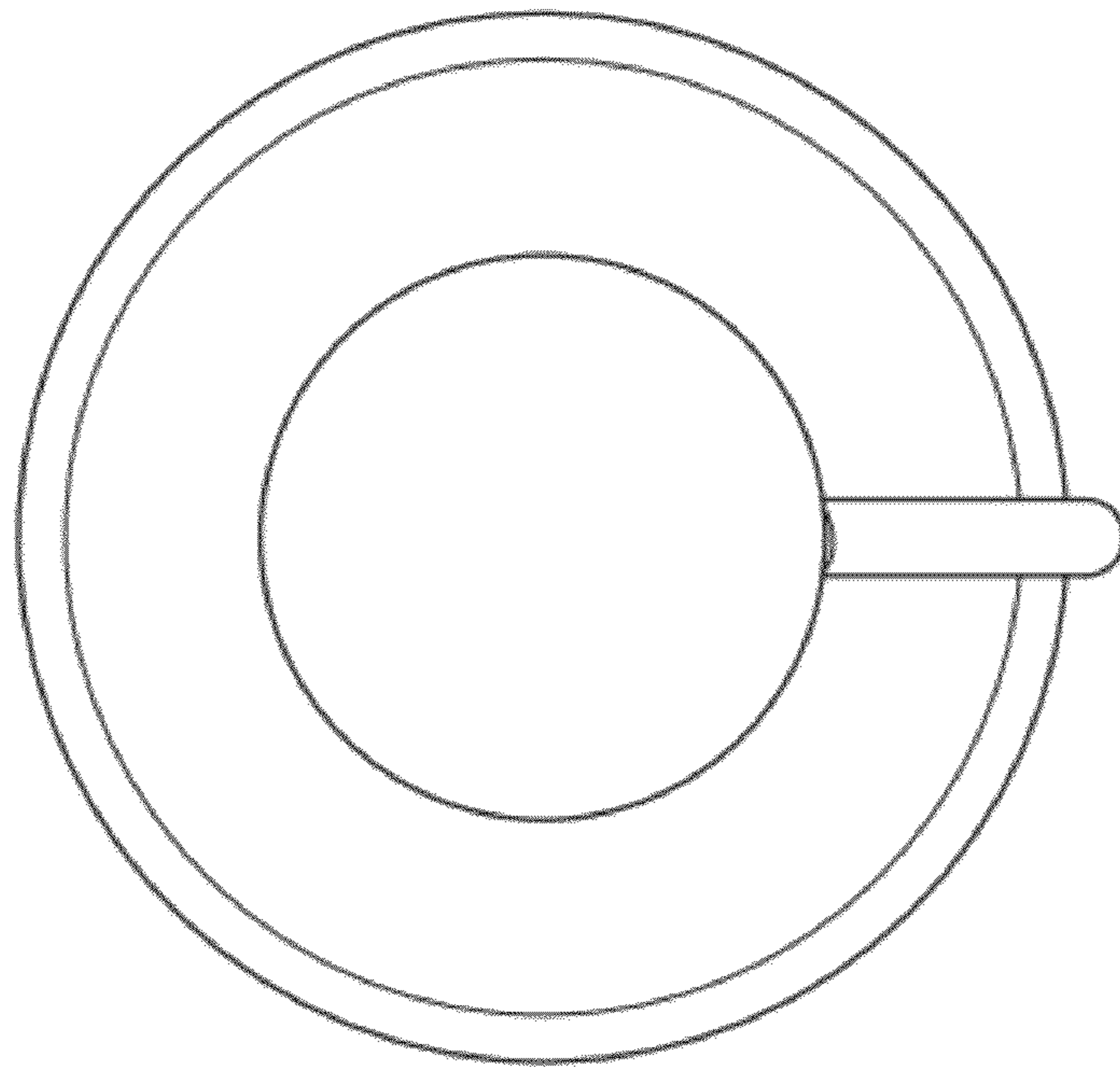


FIG. 7