

US00D664808S

(12) **United States Design Patent**  
**Dickson, Jr. et al.**

(10) **Patent No.:** **US D664,808 S**  
(45) **Date of Patent:** **\*\* Aug. 7, 2012**

(54) **BLENDING JAR WITH SCRAPER APPARATUS**

*Primary Examiner* — Ricky Pham  
(74) *Attorney, Agent, or Firm* — Holland & Hart

(75) Inventors: **Thomas D. Dickson, Jr.**, Orem, UT (US); **David J. Throckmorton**, Mapleton, UT (US); **Sterling O. Kingdon**, Cedar Hills, UT (US); **Mark W. McLane**, Lehi, UT (US); **Kory B. Robins**, Draper, UT (US)

(57) **CLAIM**  
The ornamental design for a “blending jar with scraper apparatus,” as shown and described.

(73) Assignee: **K-Tec, Inc.**, Orem, UT (US)

(\*\*) Term: **14 Years**

(21) Appl. No.: **29/392,150**

(22) Filed: **May 18, 2011**

(51) **LOC (9) Cl.** ..... **07-02**

(52) **U.S. Cl.** ..... **D7/413; D7/376; D7/378**

(58) **Field of Classification Search** ..... D7/301–313, D7/316–319, 356–357, 368, 372–386, 391–398, D7/412–415, 515, 665, 679, 691; 99/348, 99/467, 492, 508–512; 210/264; 220/254.7; 241/30–37.5, 101.01–101.2, 166–169.1, 241/172, 199.12, 282.1–282.2, 285.1–285.3, 241/291, 292.1; 366/64–67, 98, 129, 142–144, 366/192–211, 241–254, 262, 279–292, 325.8, 366/325.92, 341–347; 416/75–77, 70 R, 416/163

See application file for complete search history.

(56) **References Cited**

U.S. PATENT DOCUMENTS

D204,117	S	*	3/1966	Di Sesa	.....	D7/378
4,087,053	A	*	5/1978	Voglesonger	.....	241/282.1
D336,590	S	*	6/1993	Barnard	.....	D7/378
5,225,078	A	*	7/1993	Polasky et al.	.....	210/264

(Continued)

**DESCRIPTION**

FIG. 1 is an exploded perspective view of a “blending jar with scraper apparatus” according to the present invention; FIG. 2 is an assembled perspective view thereof; FIG. 3 is a side elevation view thereof; FIG. 4 is a top view thereof; FIG. 5 is a bottom view thereof; FIG. 6 is a front elevation view thereof; FIG. 7 is a left side elevation view thereof; FIG. 8 is a section view, taken along the line 8-8 of FIG. 3, thereof; FIG. 9 is a top perspective view of the jar portion thereof; FIG. 10 is a bottom perspective view of the jar portion thereof; FIG. 11 is a front elevation view of the jar portion thereof; FIG. 12 is a left side elevation view of the jar portion thereof; FIG. 13 is a top view of the jar portion thereof; FIG. 14 is a bottom view of the jar portion thereof; FIG. 15 is a top perspective view of the lid portion thereof; FIG. 16 is a front/rear view of the lid portion thereof; FIG. 17 is a right/left view of the lid portion thereof; FIG. 18 is a top view of the lid portion thereof; FIG. 19 is a bottom view of the lid portion thereof; FIG. 20 is a top perspective view of the cap portion thereof; FIG. 21 is a bottom perspective view of the cap portion thereof; FIG. 22 is a front/rear/side elevation view of the cap portion thereof; and, FIG. 23 is a top view of the cap portion thereof.

**1 Claim, 7 Drawing Sheets**



# US D664,808 S

Page 2

---

## U.S. PATENT DOCUMENTS

5,302,021	A	4/1994	Jennett et al.				
5,655,834	A	8/1997	Dickson				
D435,995	S *	1/2001	Mano .....	D7/318			
6,527,433	B2	3/2003	Daniels, Jr.				
6,935,767	B2	8/2005	Nikkhah				
6,966,689	B2	11/2005	Daniels, Jr.				
D514,868	S *	2/2006	Achenbach et al. ....	D7/318			
D528,363	S *	9/2006	Ulanski et al. ....	D7/413			
7,207,506	B1	4/2007	Dickson, Jr. et al.				
7,281,842	B2	10/2007	Dickson, Jr.				
D588,406	S *	3/2009	Ulanski .....	D7/413			
7,712,951	B2 *	5/2010	Bohannon et al. ....	366/205			
7,753,223	B2 *	7/2010	Boozer et al. ....	220/254.7			
D621,656	S *	8/2010	Ulanski et al. ....	D7/413			
2006/0176765	A1 *	8/2006	Pryor et al. ....	366/192			
2009/0238034	A1 *	9/2009	Ulanski .....	366/341			

\* cited by examiner

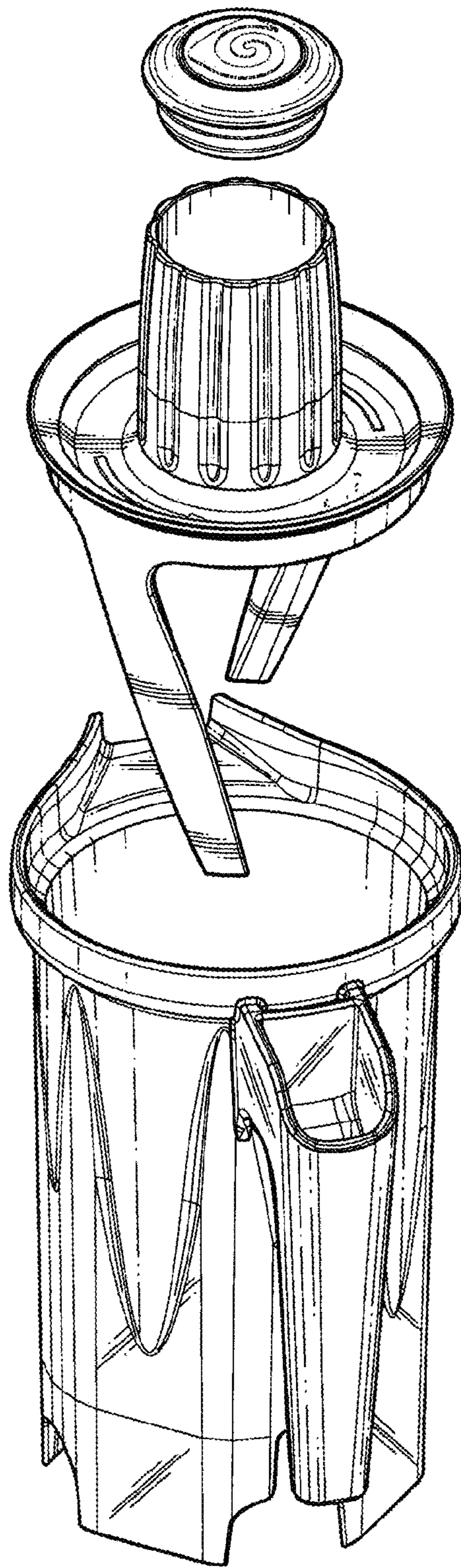


FIG. 1

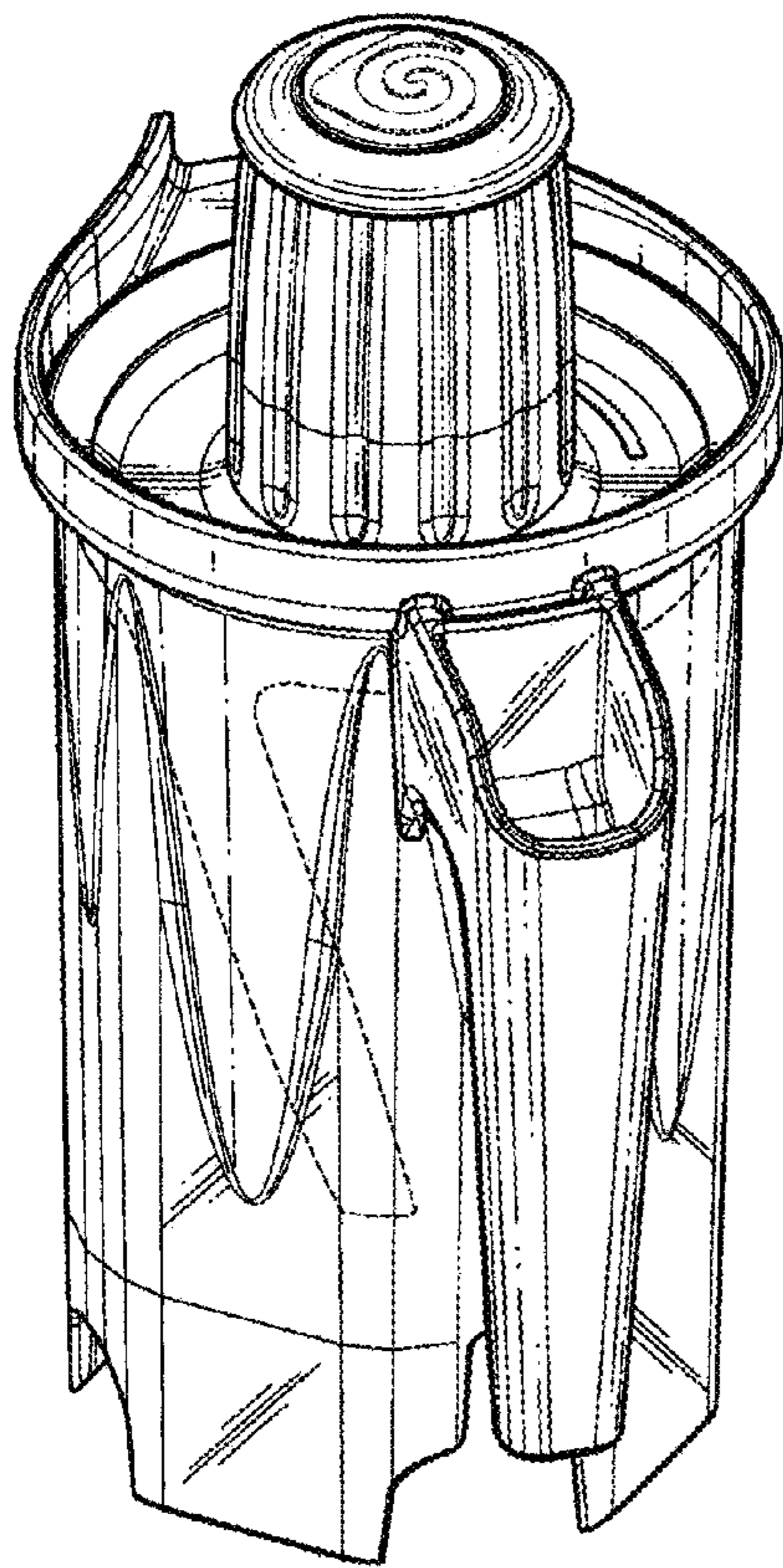


FIG. 2

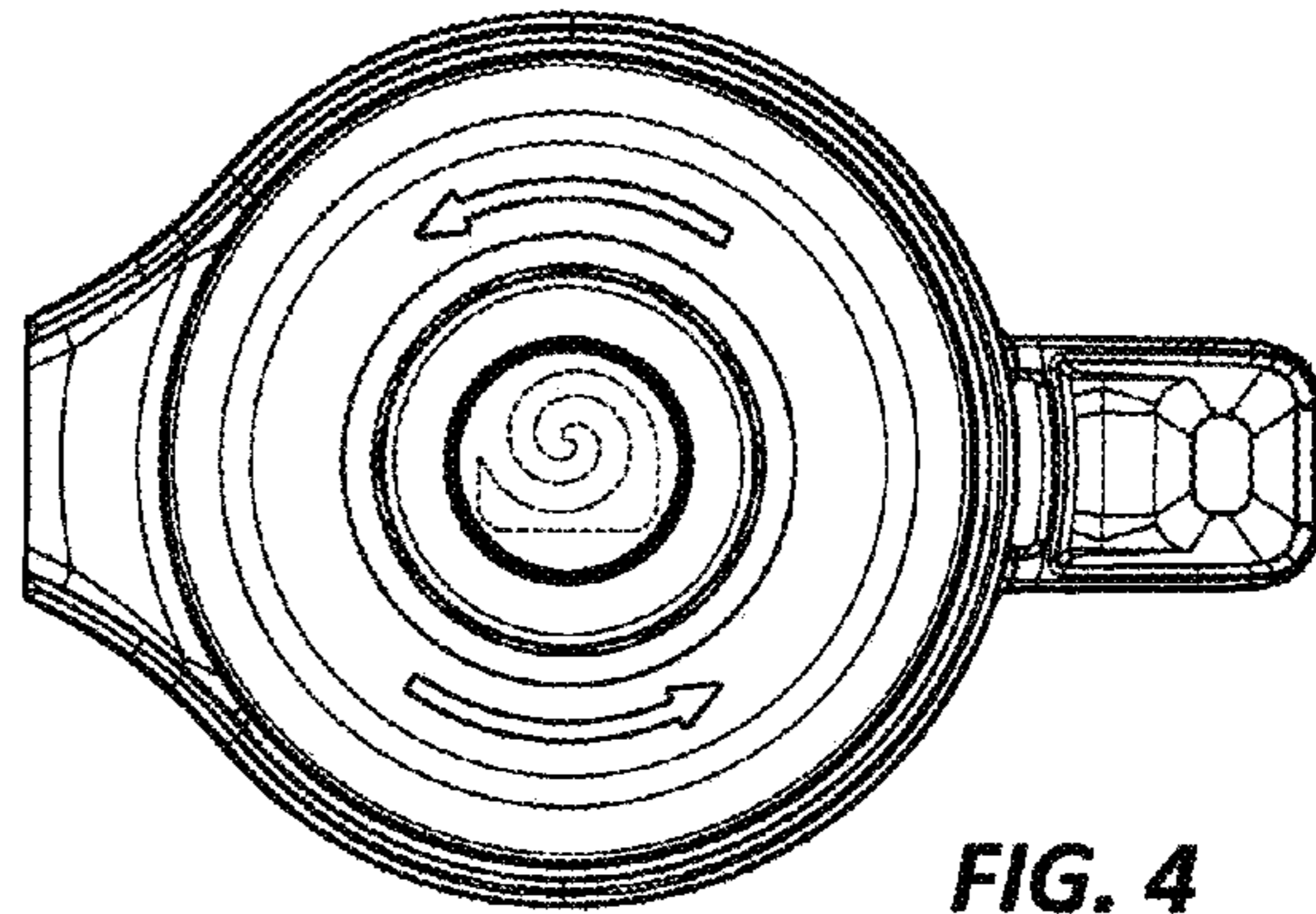


FIG. 4

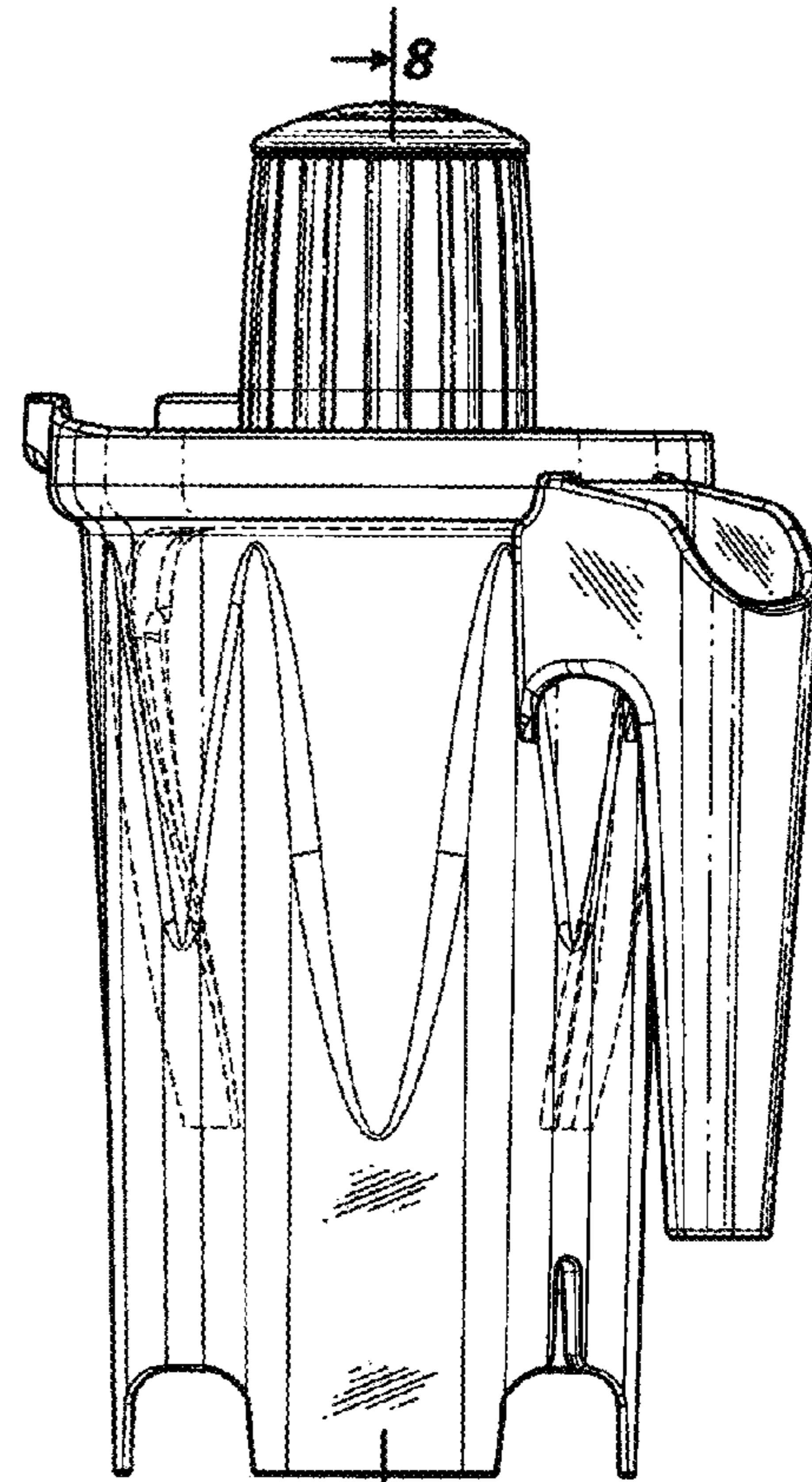


FIG. 3

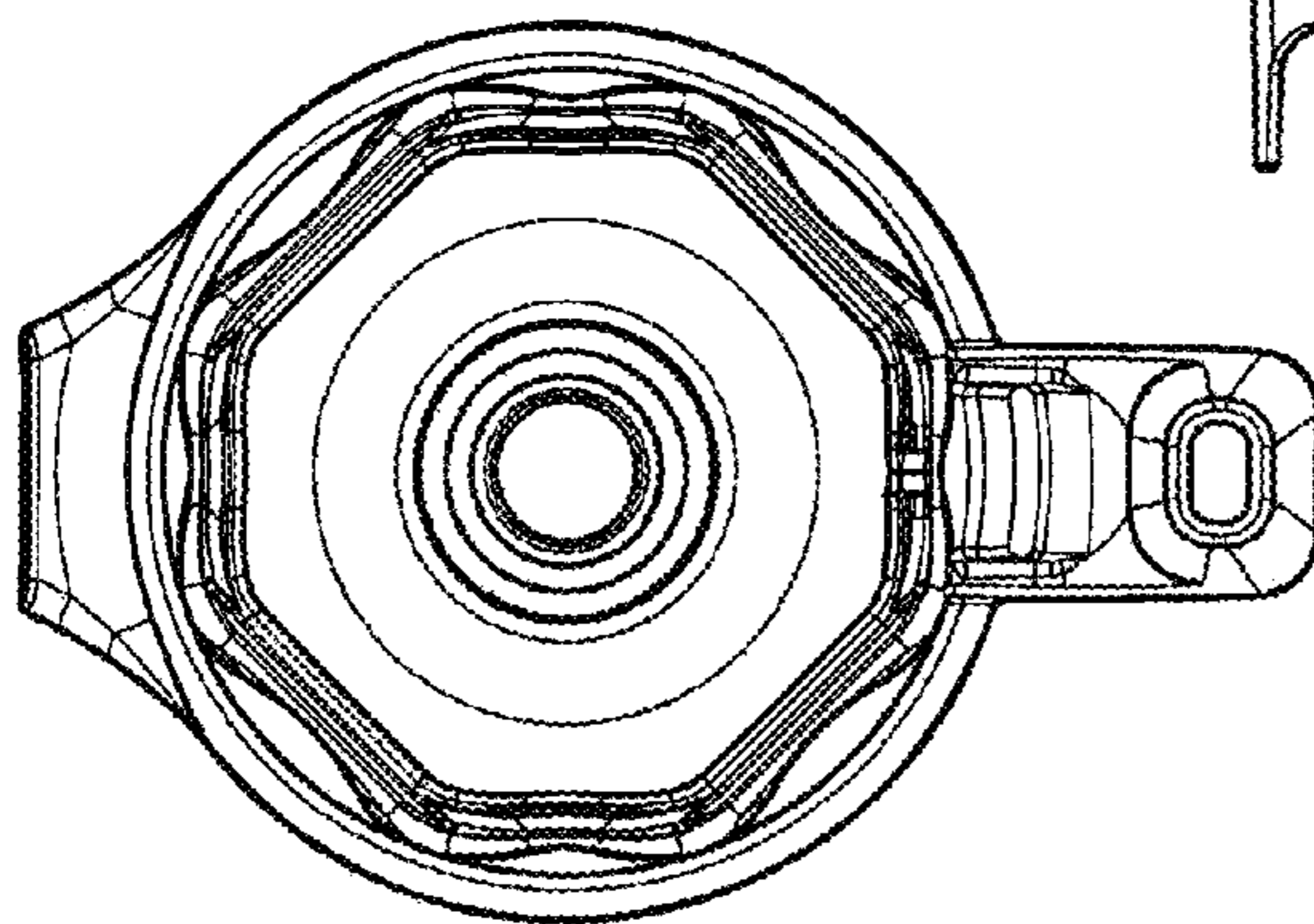
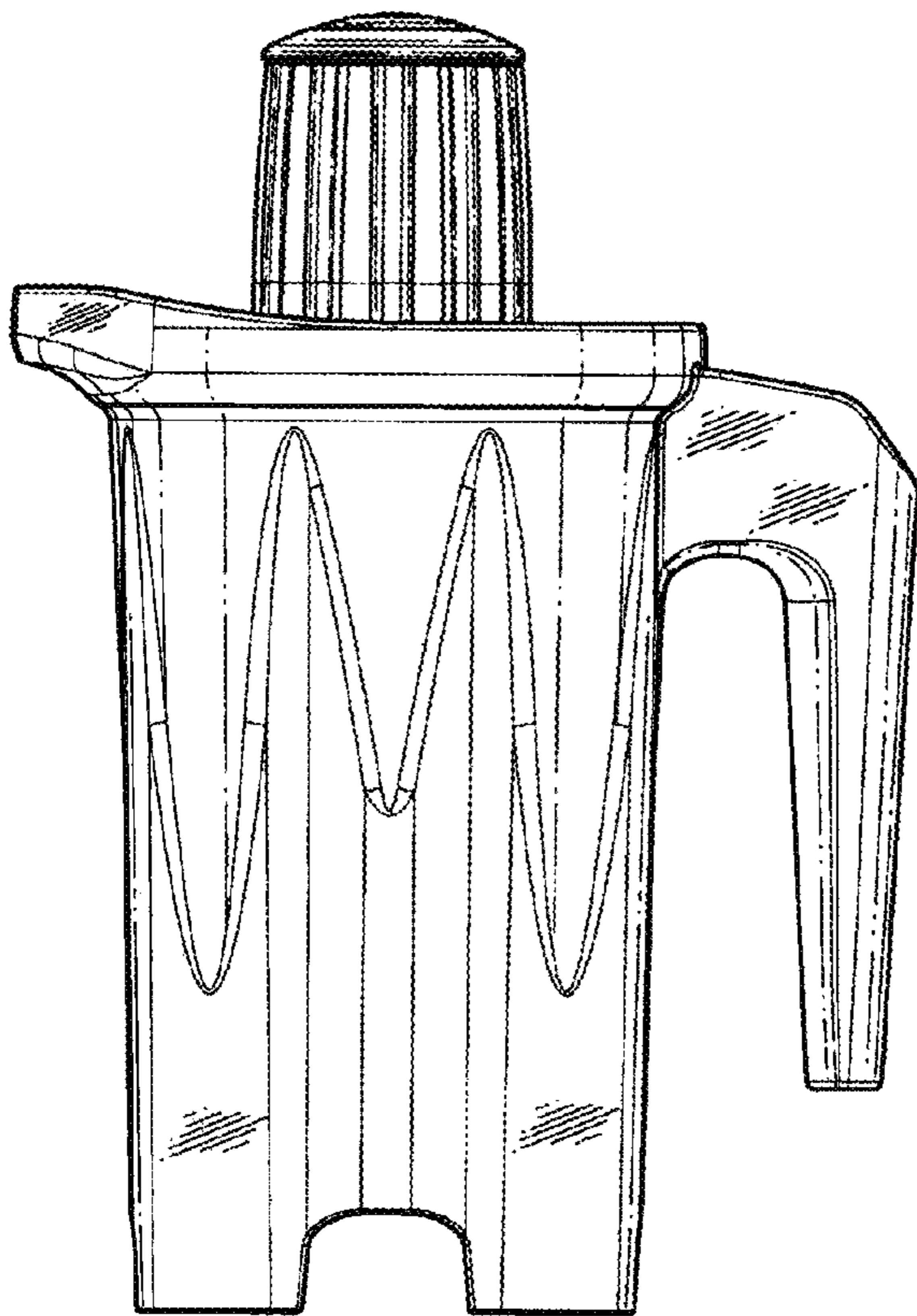
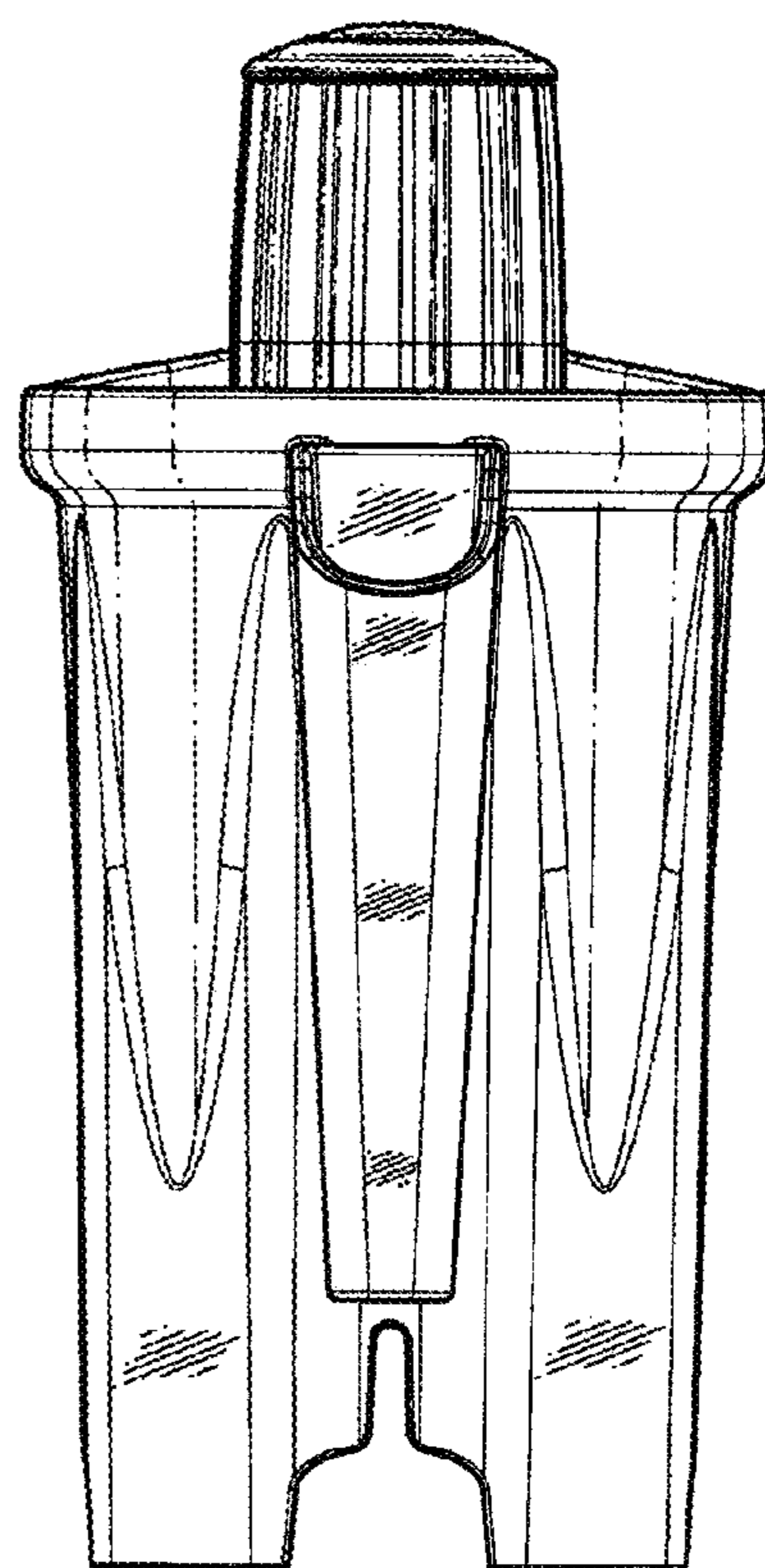


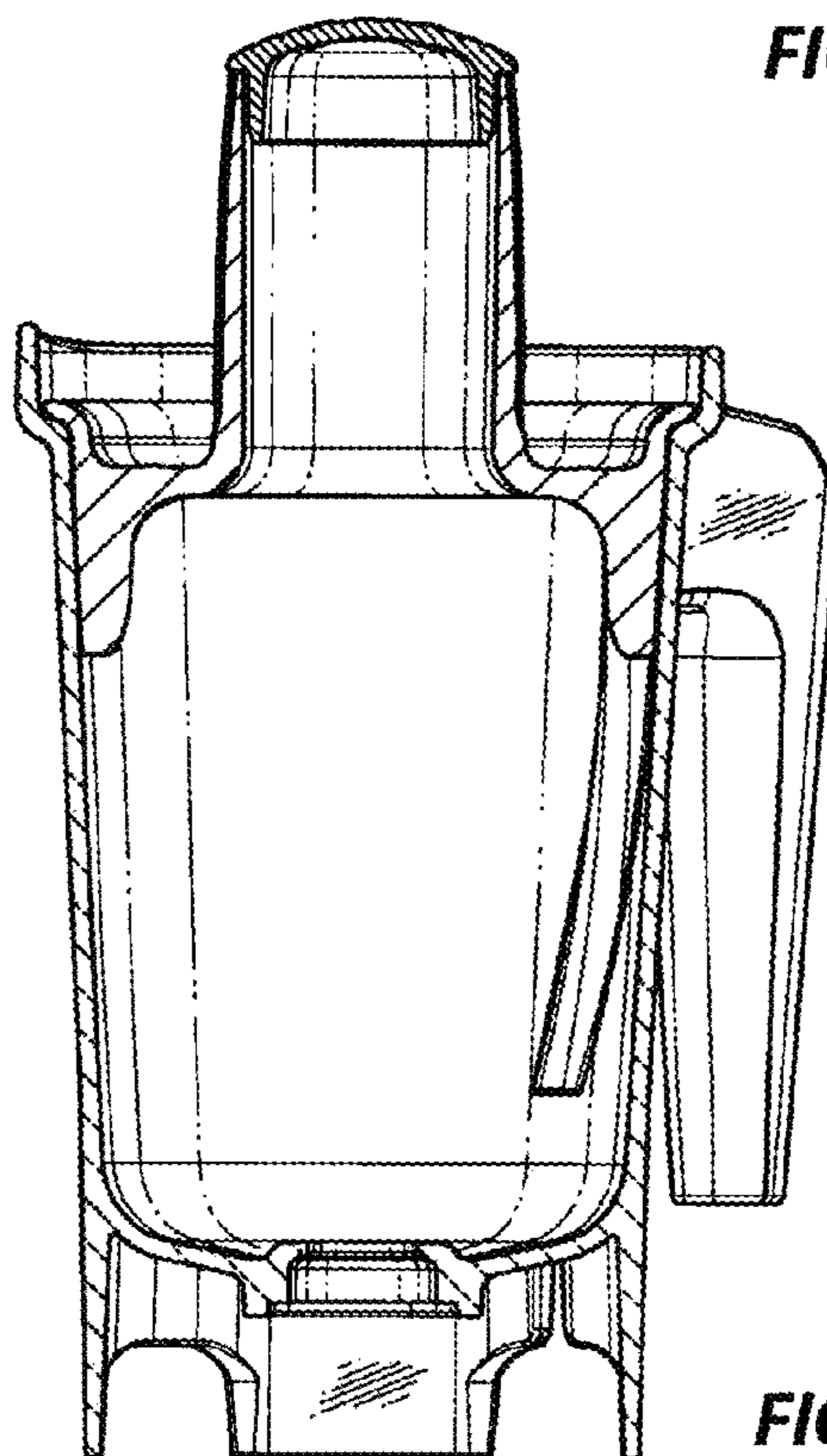
FIG. 5



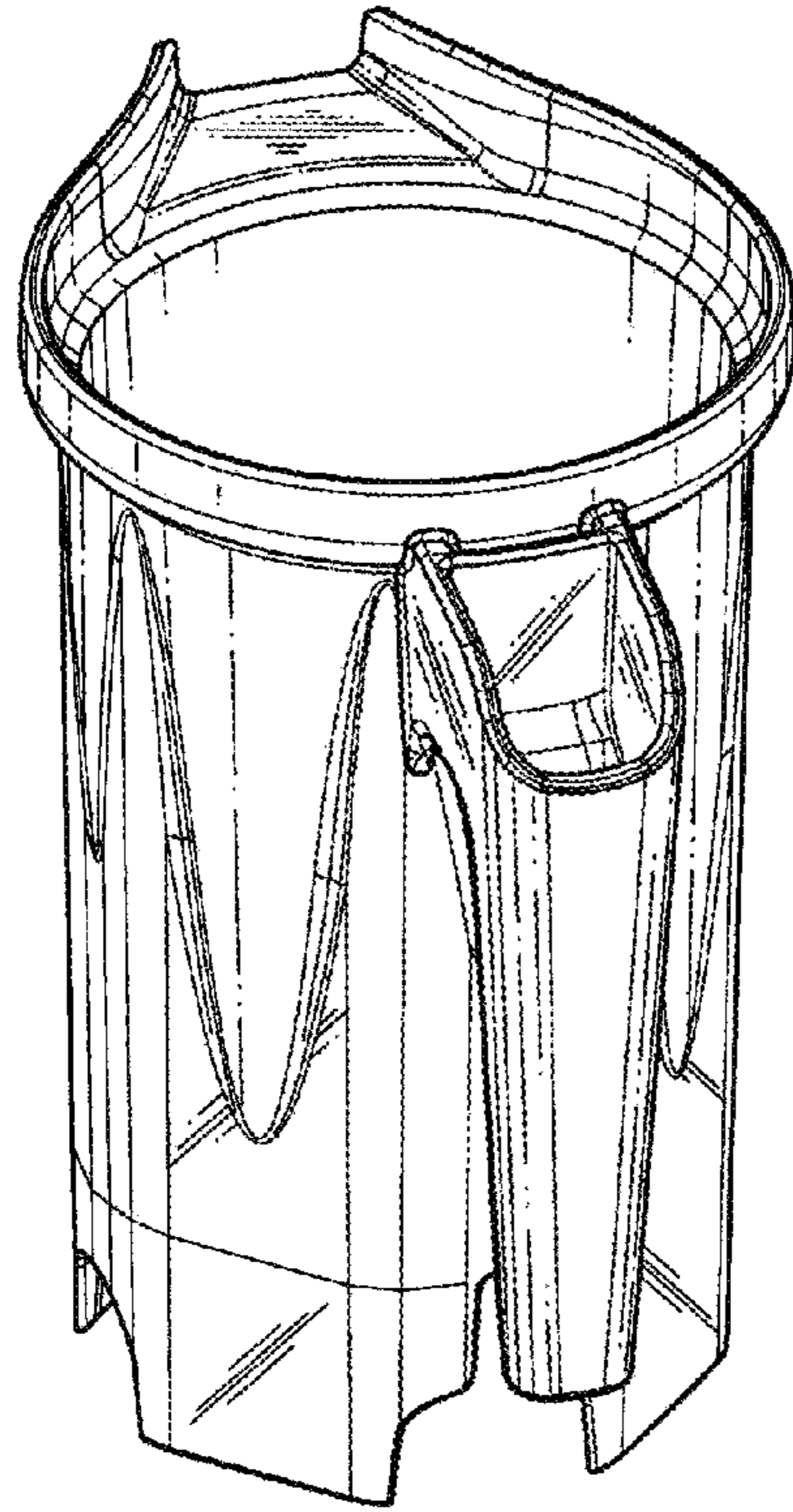
**FIG. 6**



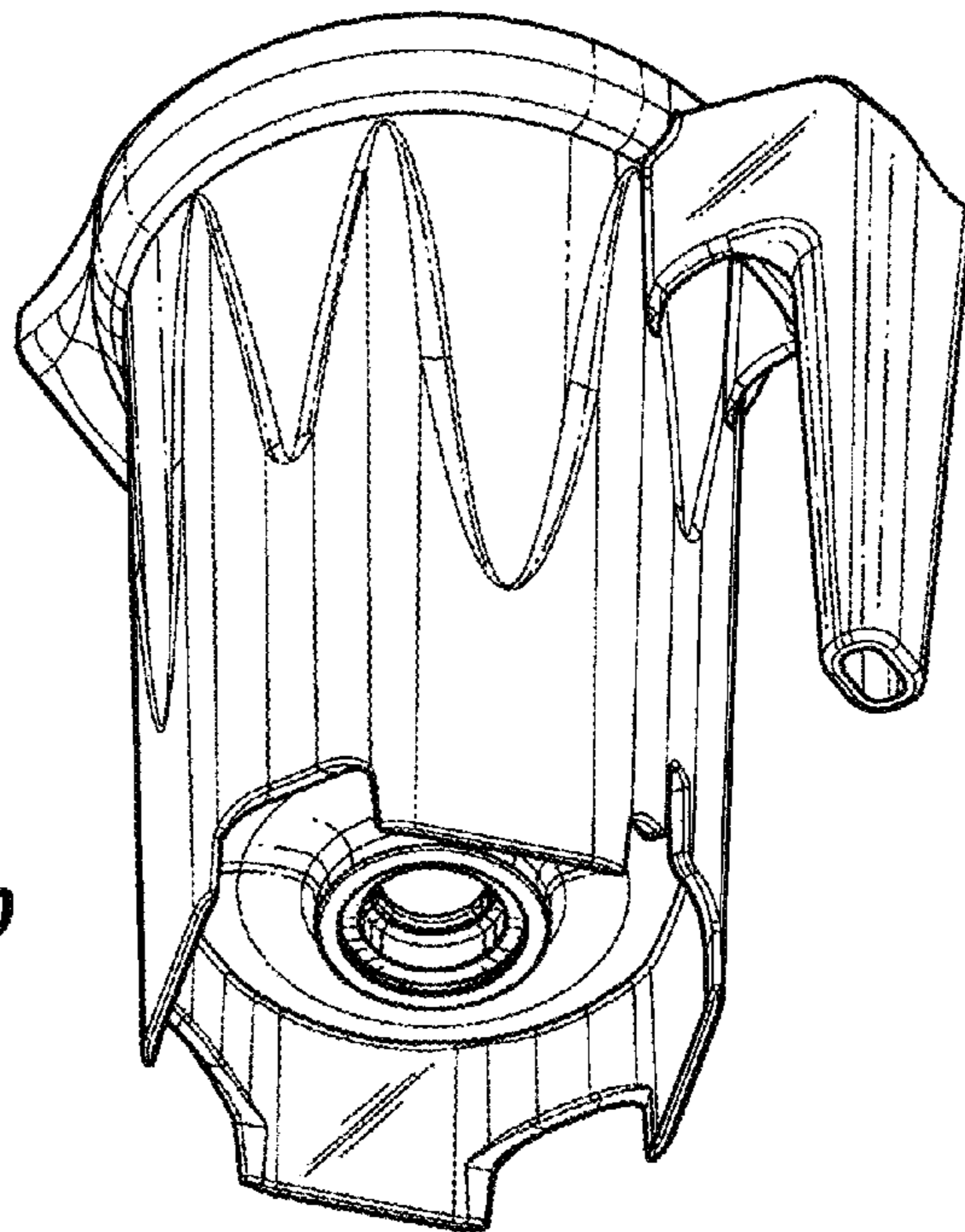
**FIG. 7**



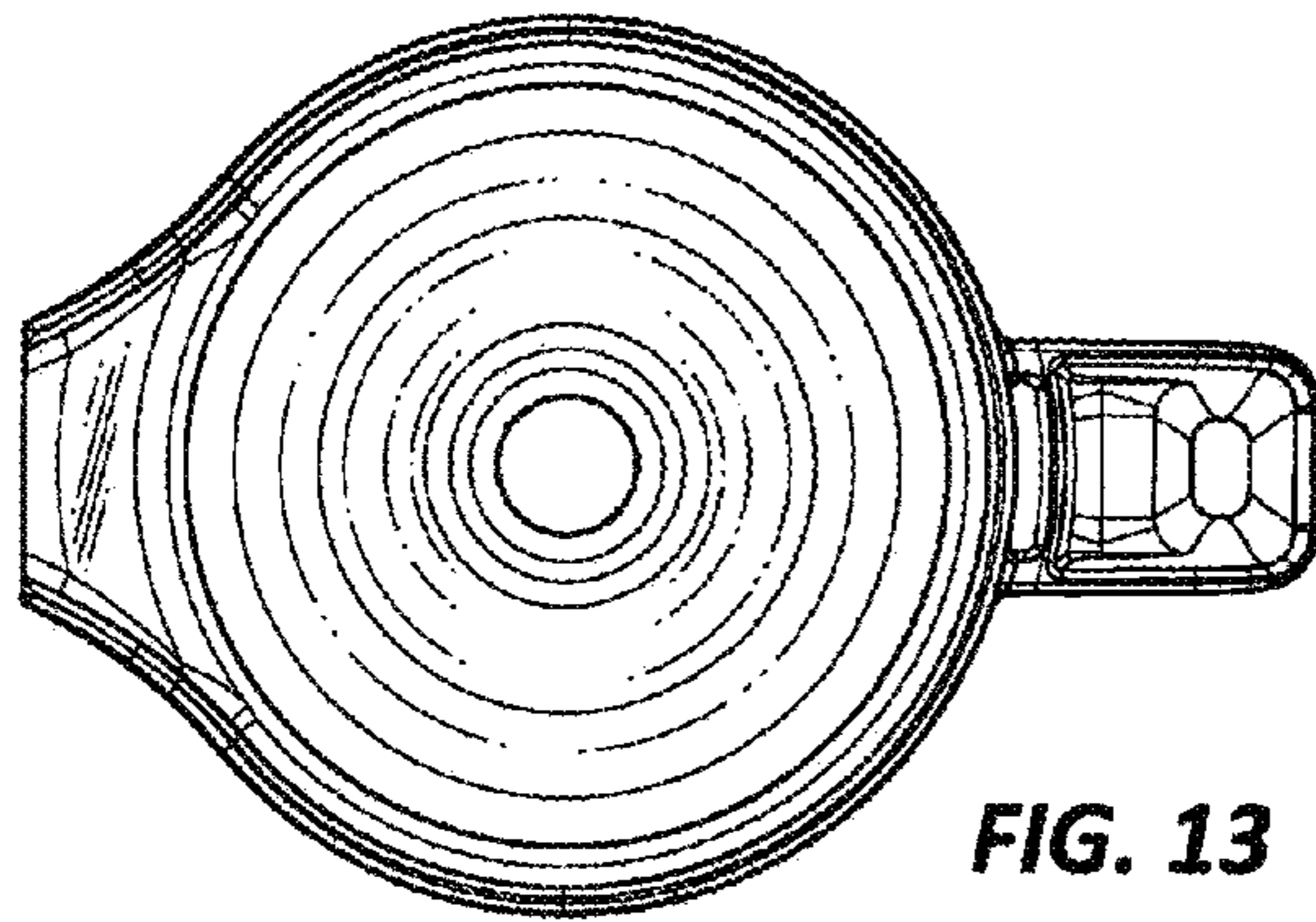
**FIG. 8**



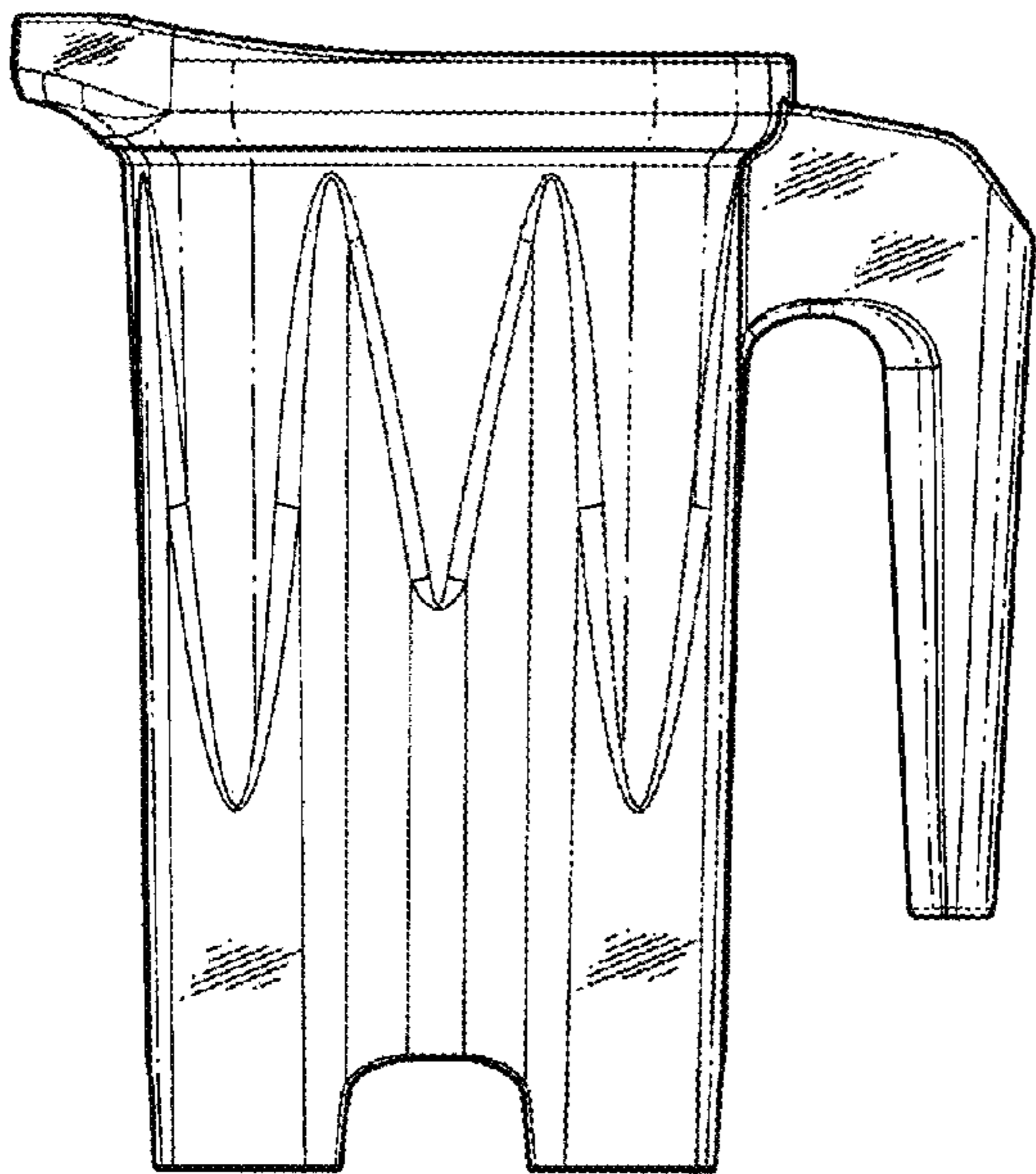
**FIG. 9**



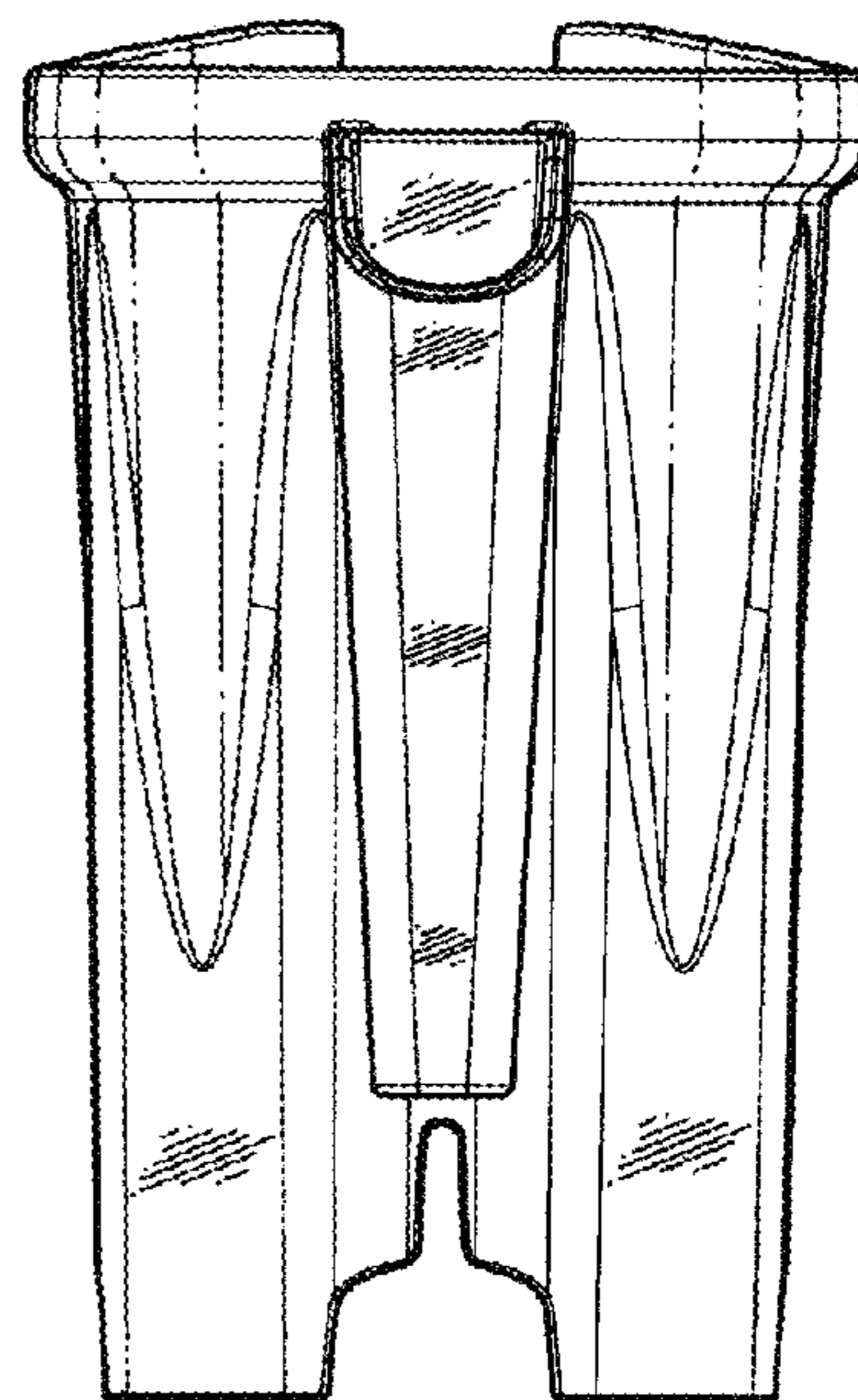
**FIG. 10**



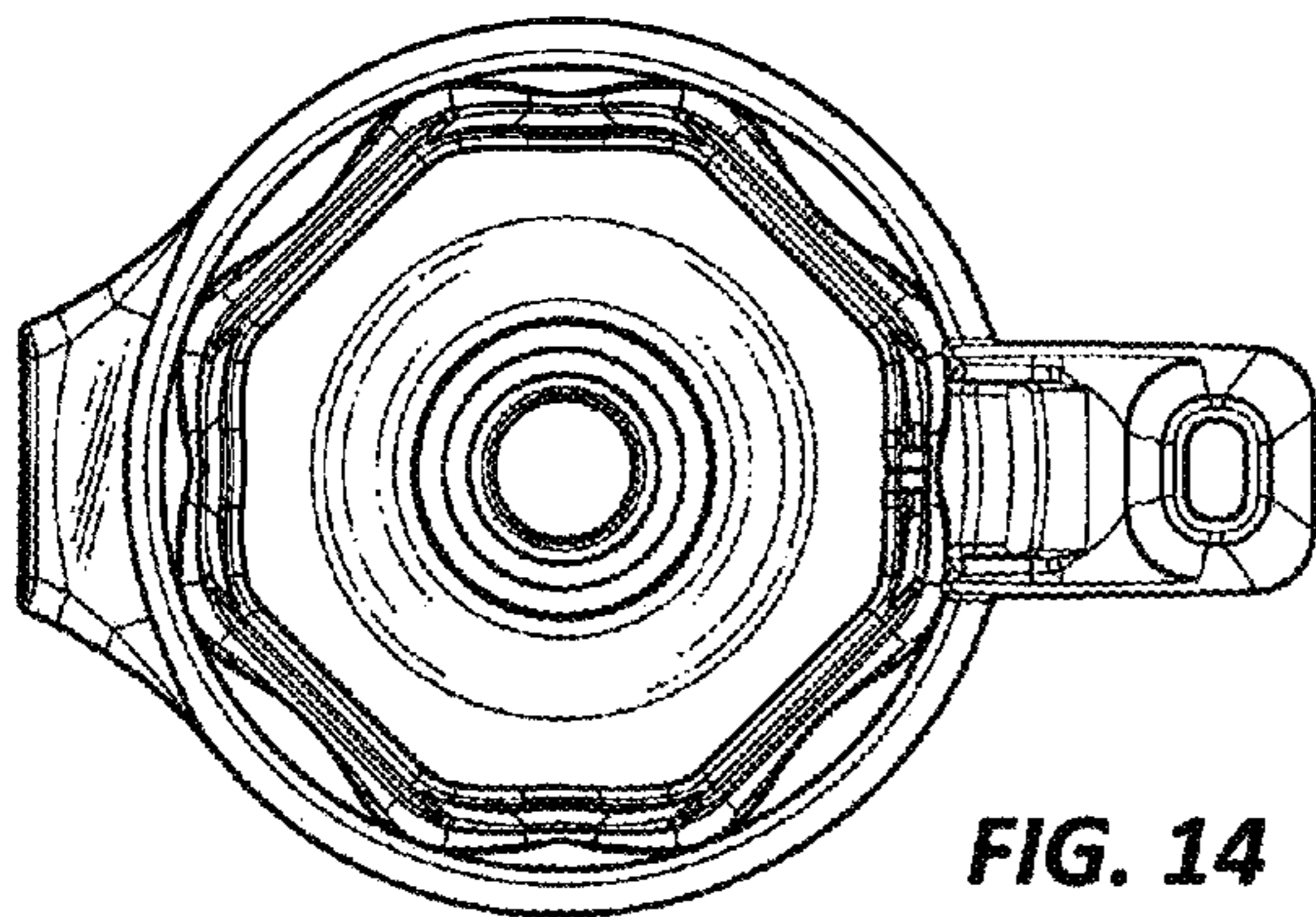
**FIG. 13**



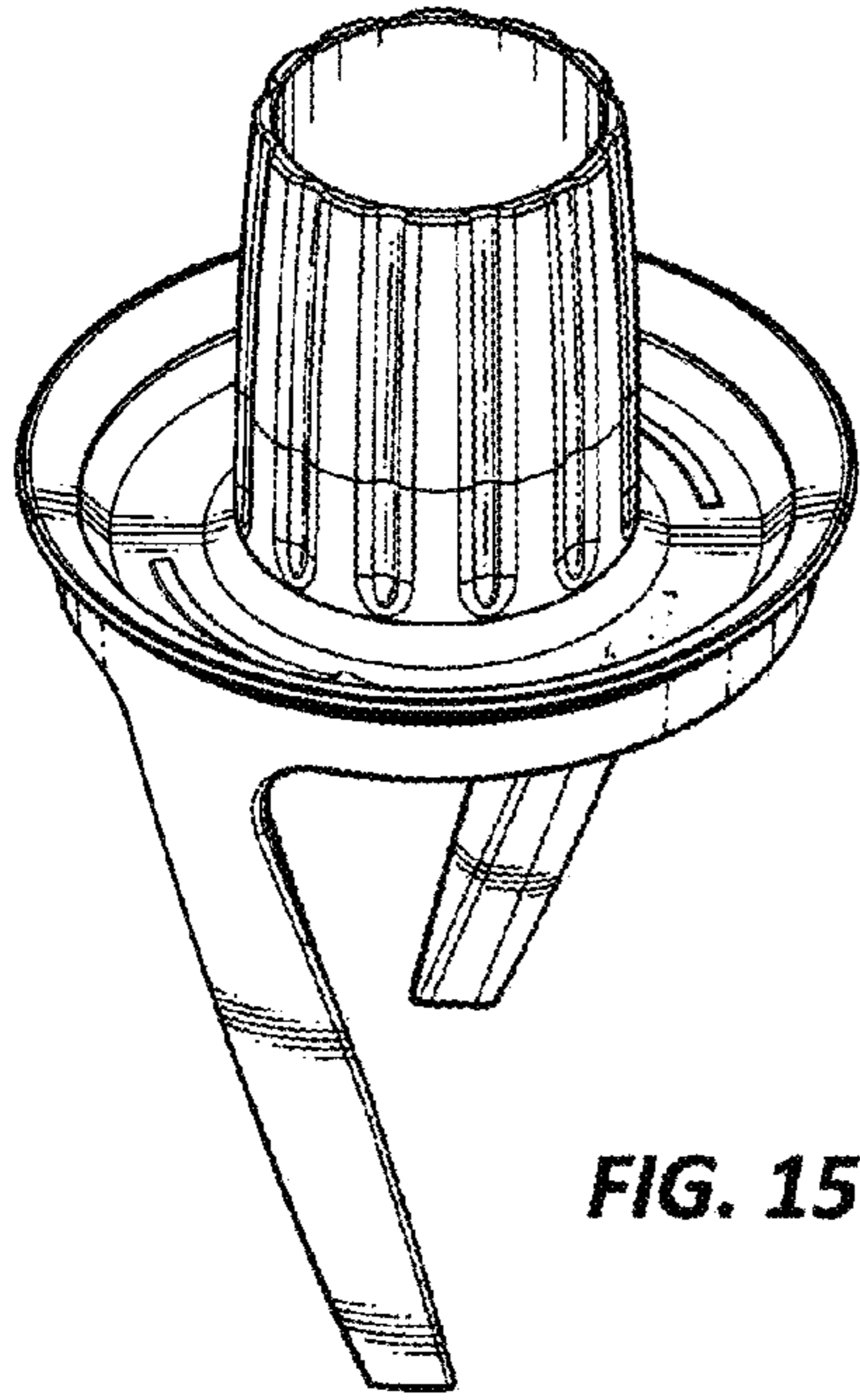
**FIG. 11**



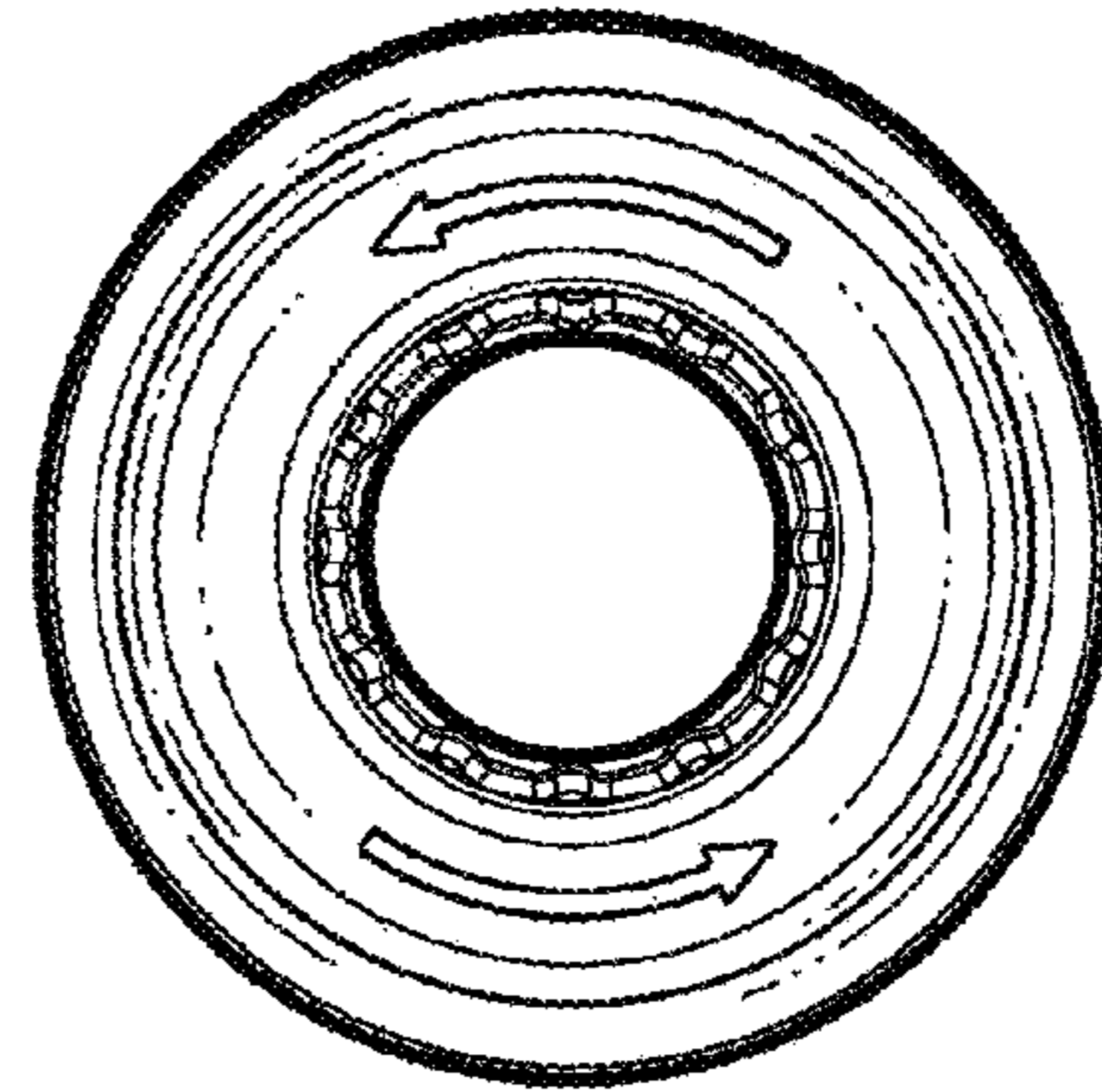
**FIG. 12**



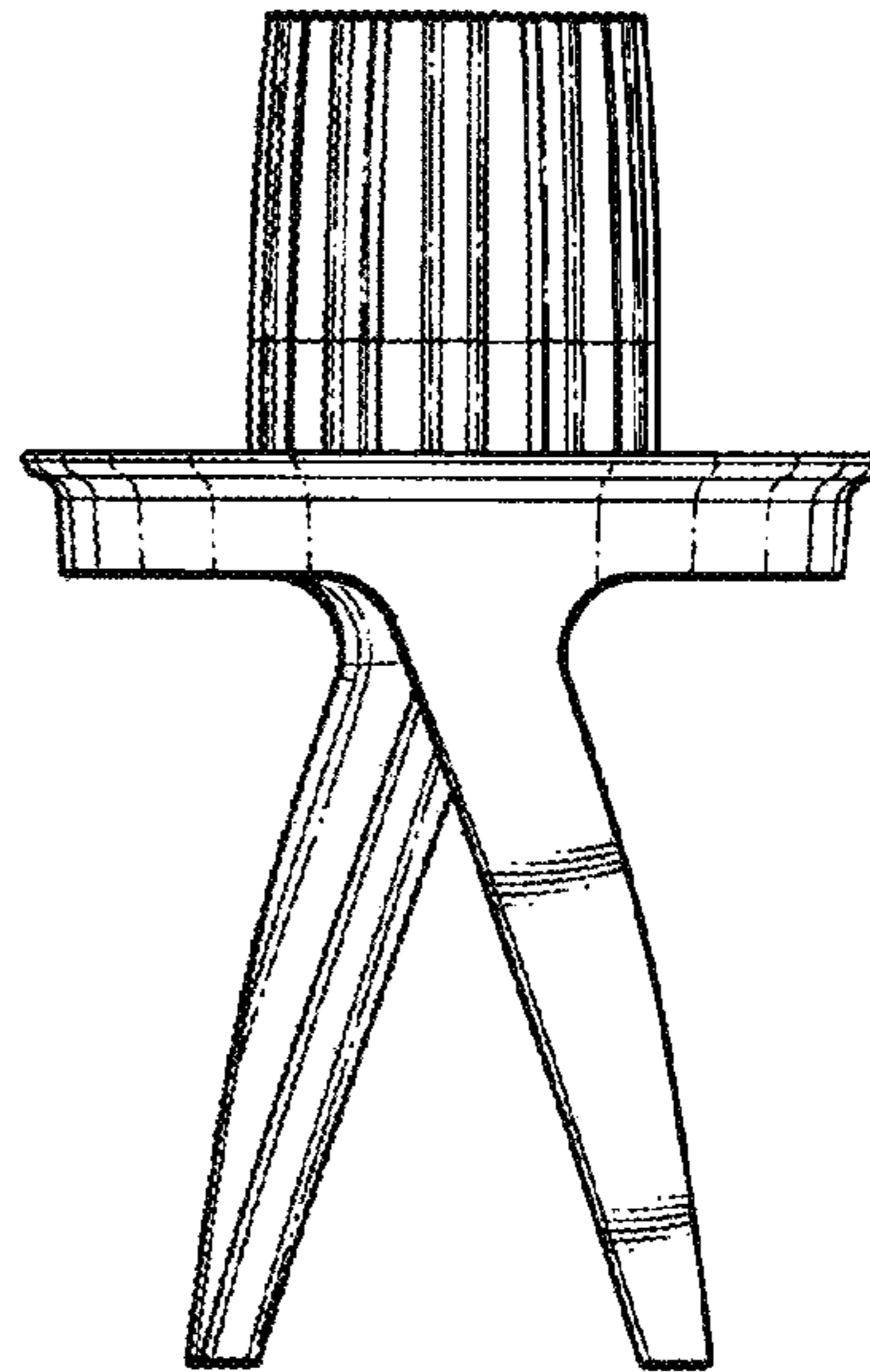
**FIG. 14**



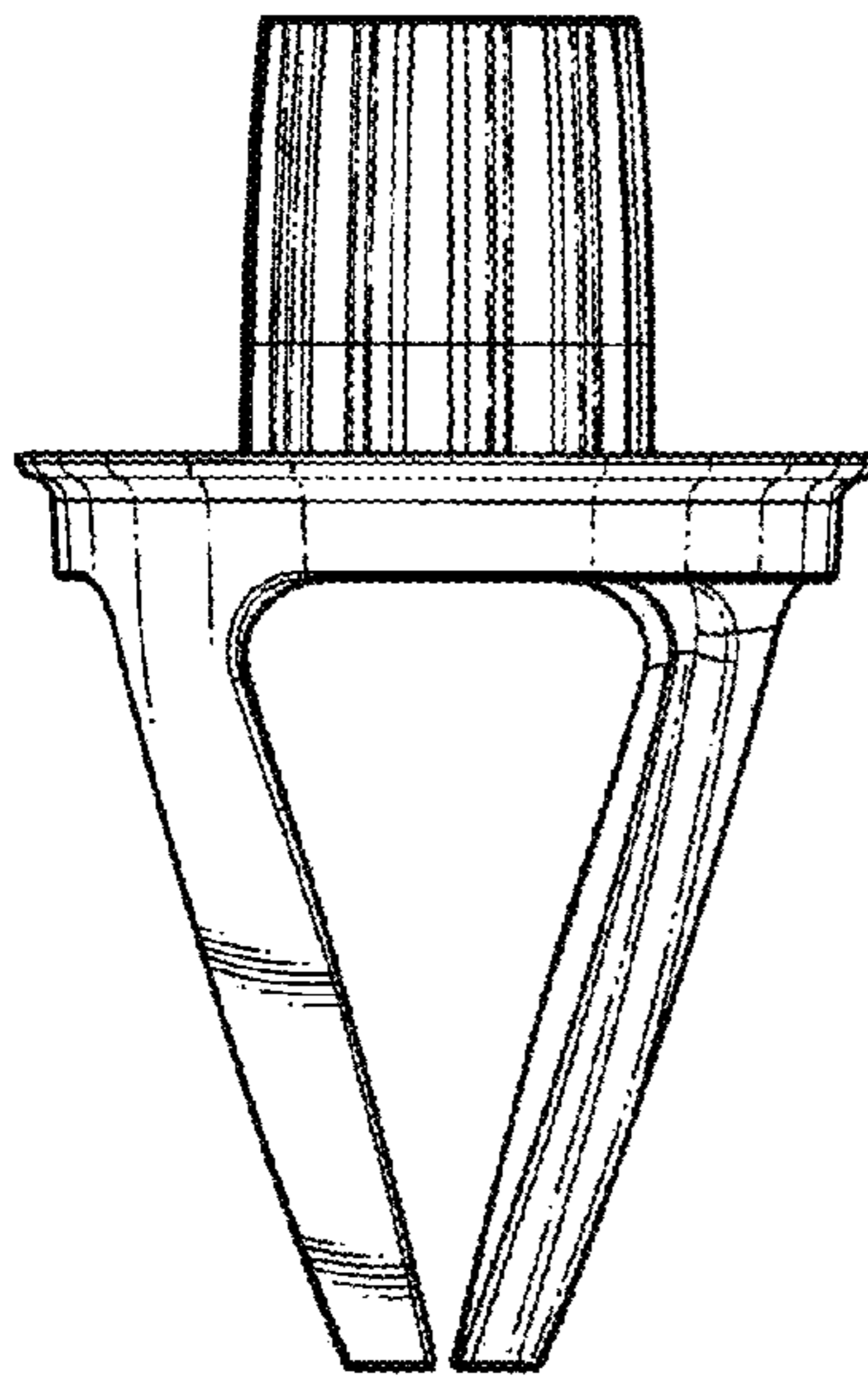
**FIG. 15**



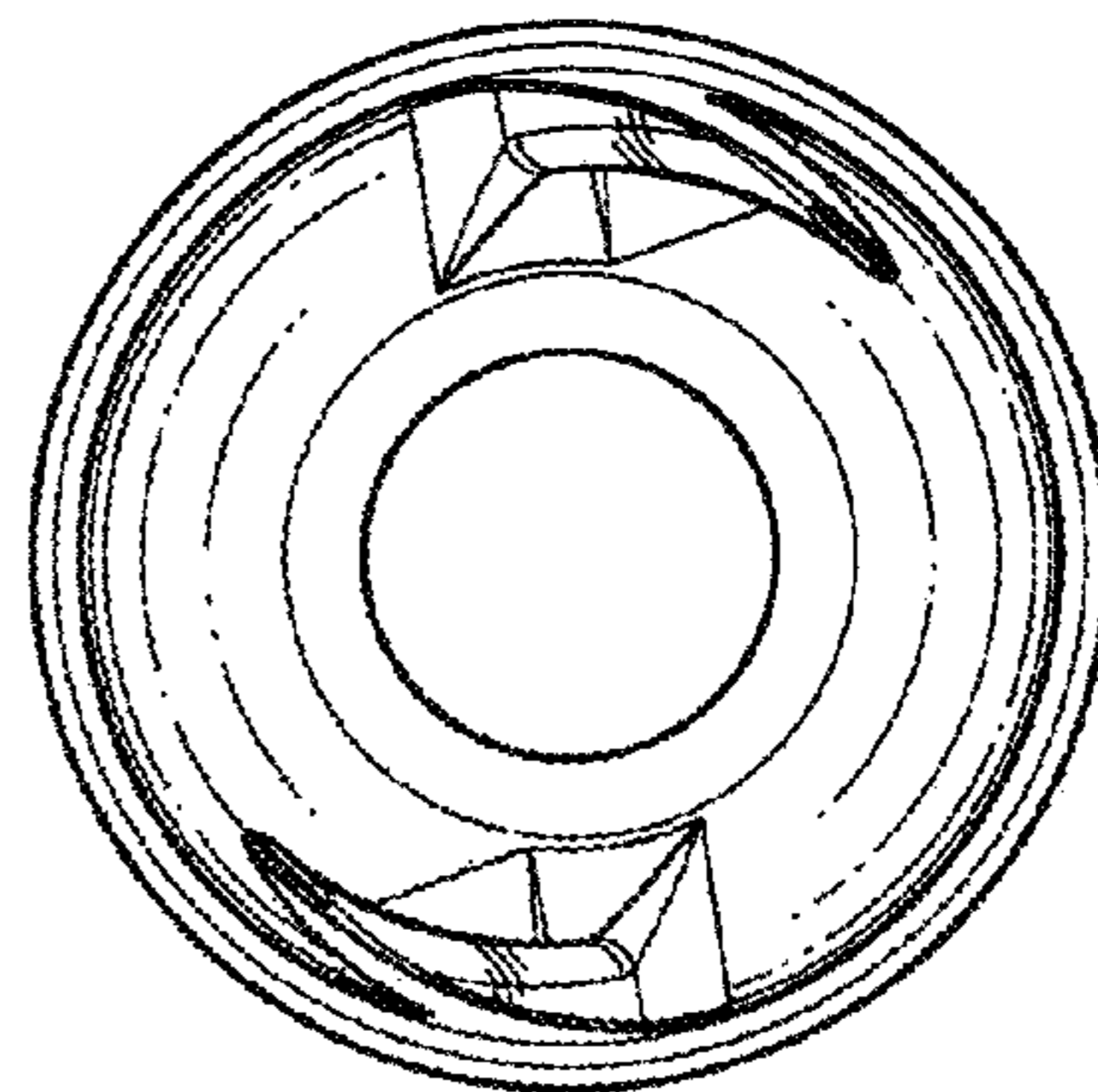
**FIG. 18**



**FIG. 16**

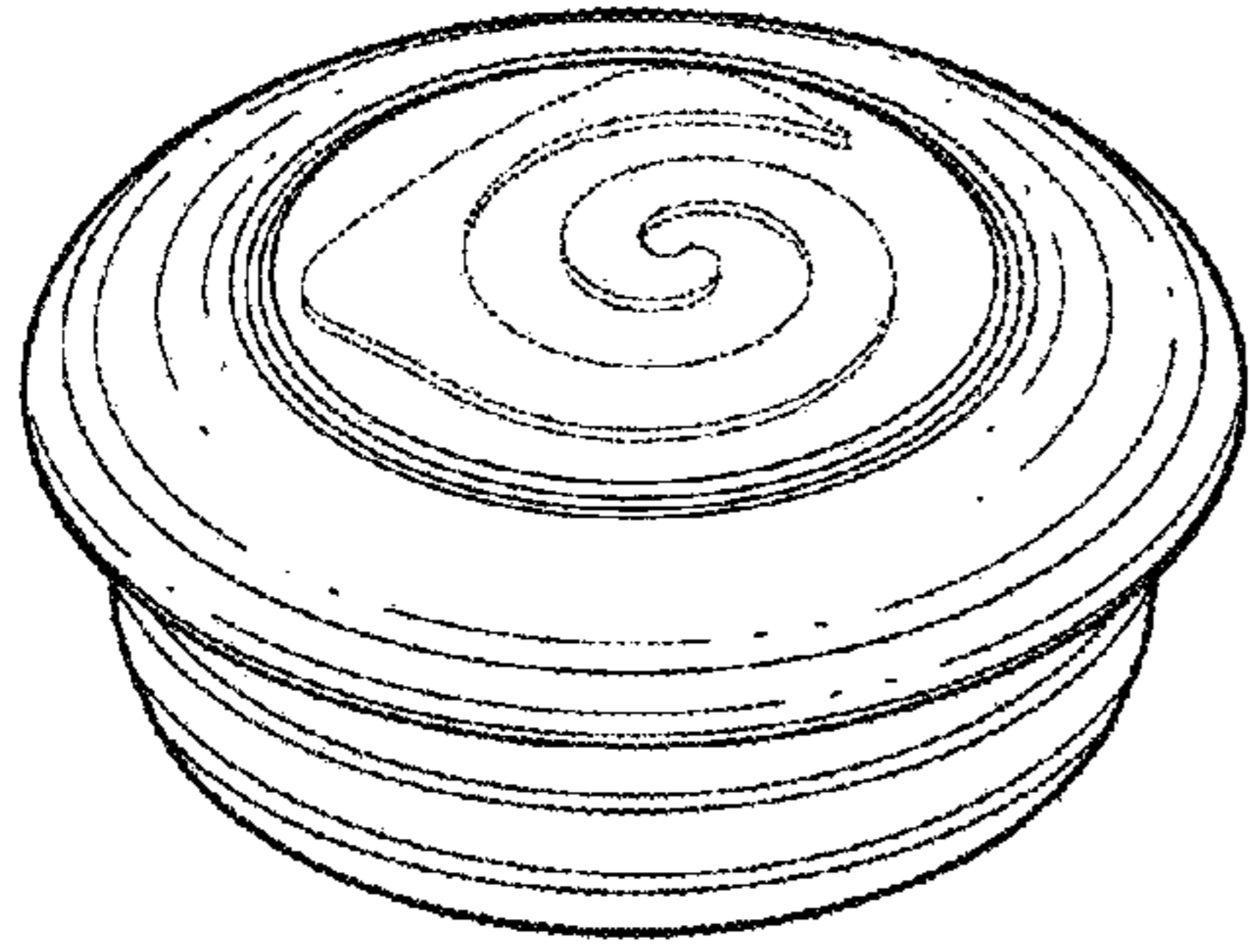


**FIG. 17**

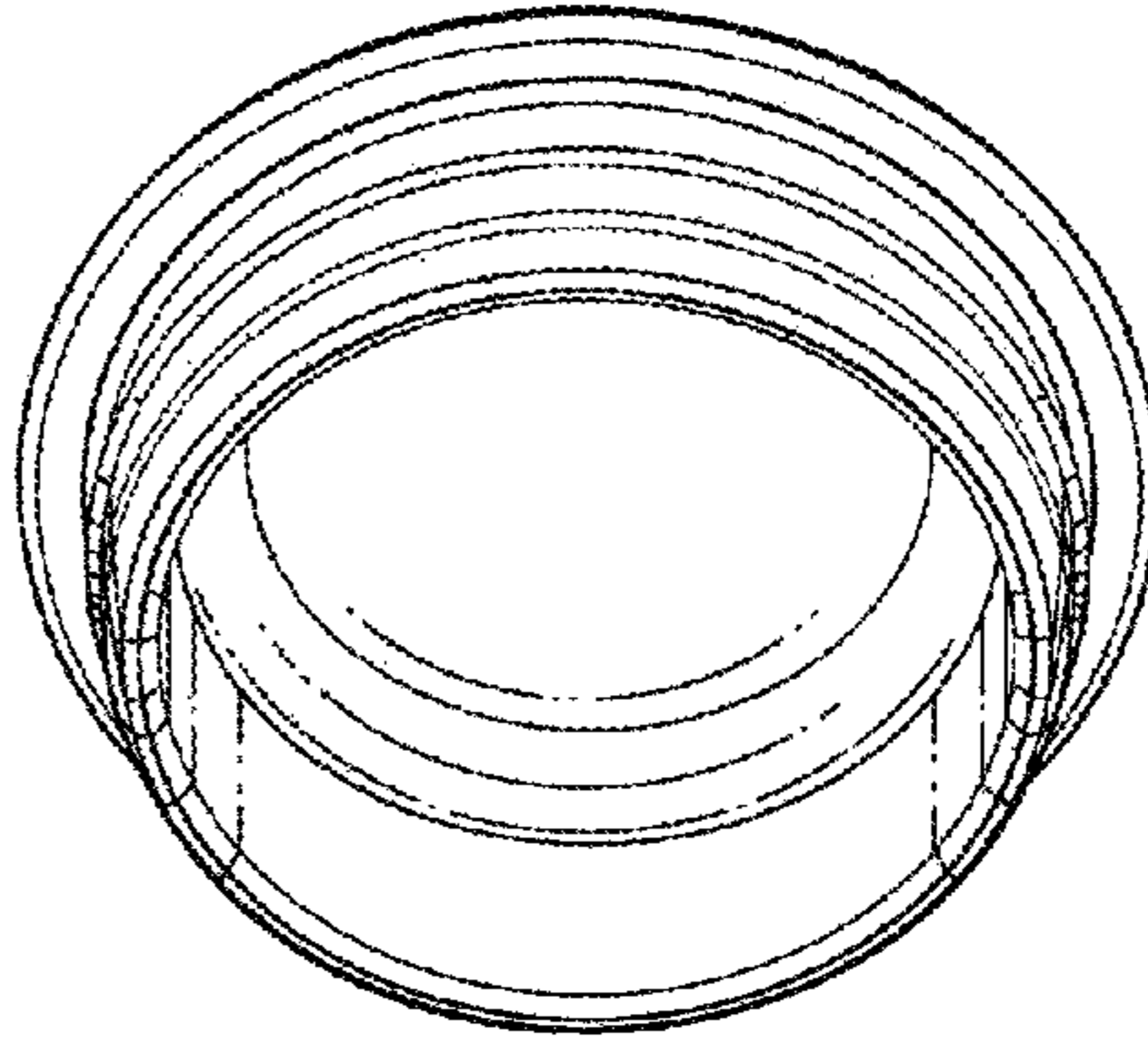


**FIG. 19**

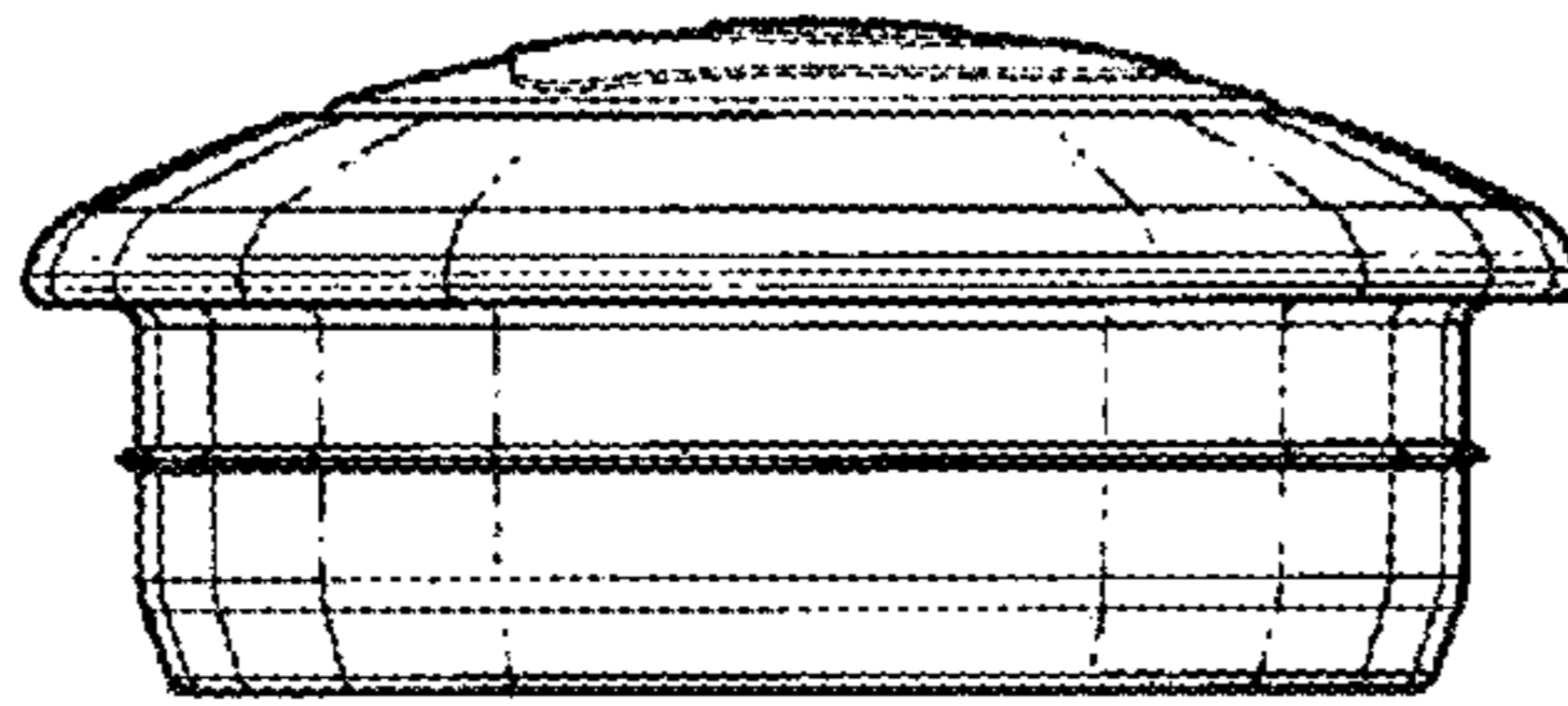




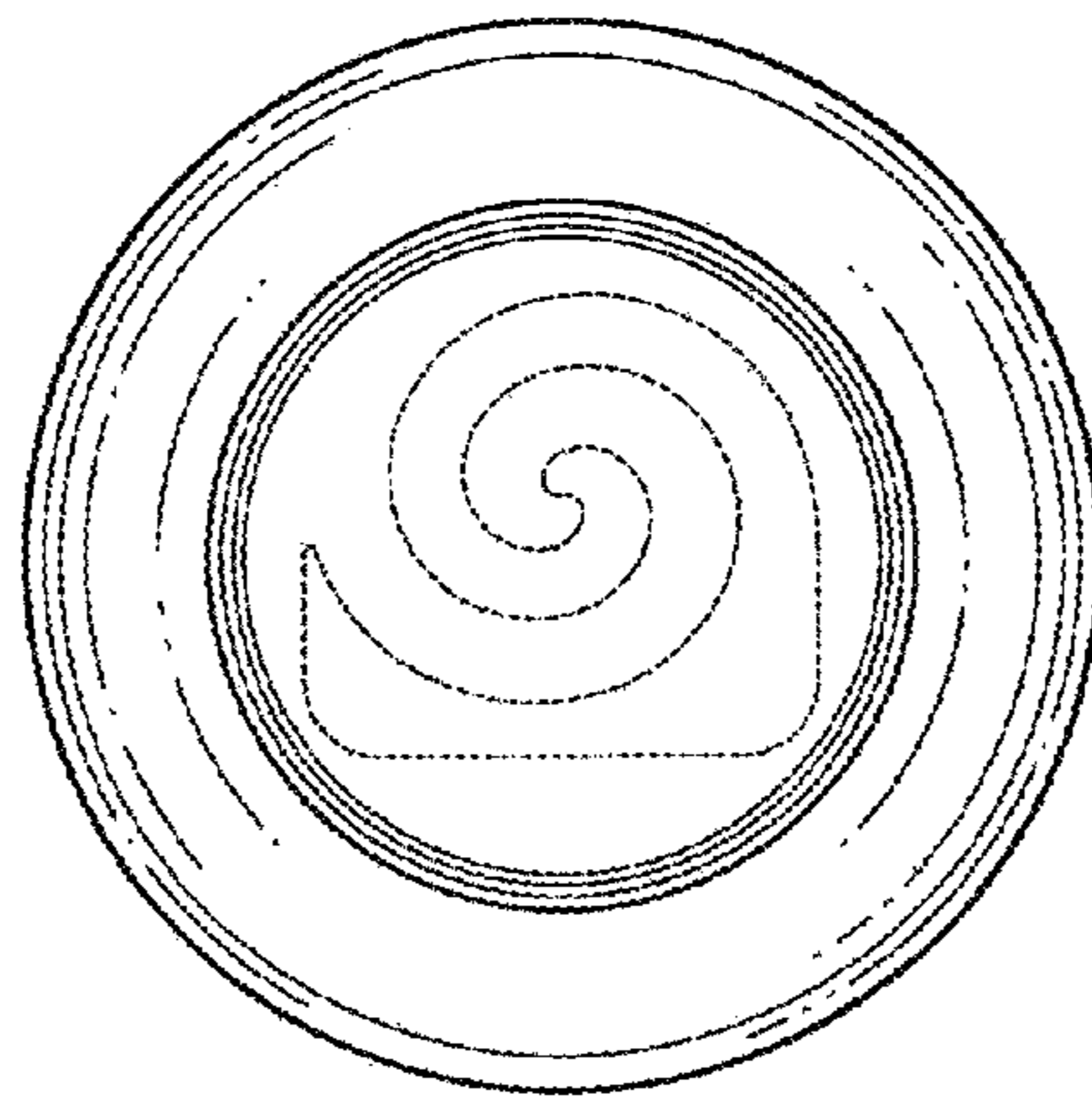
**FIG. 20**



**FIG. 21**



**FIG. 22**



**FIG. 23**