



US00D664807S

(12) **United States Design Patent**
Annis et al.

(10) **Patent No.:** **US D664,807 S**
(45) **Date of Patent:** **** Aug. 7, 2012**

(54) **WIPING BEATER**

(75) Inventors: **James Stacy Annis**, Stevensville, MI (US); **Jeremy T. Wolters**, Stevensville, MI (US)

(73) Assignee: **Whirlpool Corporation**, Benton Harbor, MI (US)

(**) Term: **14 Years**

(21) Appl. No.: **29/376,285**

(22) Filed: **Oct. 5, 2010**

(51) **LOC (9) Cl.** **31-00**

(52) **U.S. Cl.** **D7/412; D7/376; D7/378; D7/379**

(58) **Field of Classification Search** D7/305-311, D7/317-318, 368, 372, 376-386, 391, 412-415, D7/665; 99/326, 348, 508-511; 219/209; 241/30-37.5, 101.01-101.2, 166-169.1, 241/172, 285.1-285.3, 291, 292.1; 366/64-67, 366/98, 100, 129, 142, 197-211, 241-254, 366/279-292, 310-313, 325.8, 325.92, 341-347; 416/75-77, 70 R, 163

See application file for complete search history.

(56) **References Cited**

U.S. PATENT DOCUMENTS

| | | | | |
|-----------|-----|---------|------------|---------|
| 2,046,784 | A * | 7/1936 | Krause | 219/209 |
| 2,178,269 | A * | 10/1939 | Seybert | 366/313 |
| 2,318,534 | A * | 5/1943 | Seybert | 366/312 |
| 4,946,285 | A * | 8/1990 | Vennemeyer | 366/288 |
| 5,934,802 | A * | 8/1999 | Xie | 366/100 |
| D438,424 | S * | 3/2001 | Po-Hei | D7/379 |
| D447,907 | S * | 9/2001 | Po-Hei | D7/379 |

| | | | | |
|--------------|------|---------|-----------------|---------|
| D488,956 | S * | 4/2004 | Boyle et al. | D7/412 |
| 7,314,308 | B2 * | 1/2008 | Fallowes et al. | 366/310 |
| 7,690,836 | B2 * | 4/2010 | Busick | 366/313 |
| D616,699 | S * | 6/2010 | Hoare et al. | D7/379 |
| 2006/0171251 | A1 * | 8/2006 | Busick | 366/312 |
| 2006/0268659 | A1 * | 11/2006 | Kaas | 366/312 |

* cited by examiner

Primary Examiner — Ricky Pham

(74) *Attorney, Agent, or Firm* — Jason S. Burnette; Barnes & Thornburg, LLP

(57) **CLAIM**

We claim the ornamental design for a wiping beater, as shown and described.

DESCRIPTION

Cross-reference is made to co-pending U.S. Utility patent application Ser. No. 12/898,008 entitled "Stand Mixer Wiping Beater," which was filed on Oct. 5, 2010 and is incorporated herein by reference.

FIG. 1 is a front perspective view of the design of the wiping beater;

FIG. 2 is a front elevation view of the wiping beater of FIG. 1;

FIG. 3 is a rear elevation view of the wiping beater of FIG. 1;

FIG. 4 is a top plan view of the wiping beater of FIG. 1;

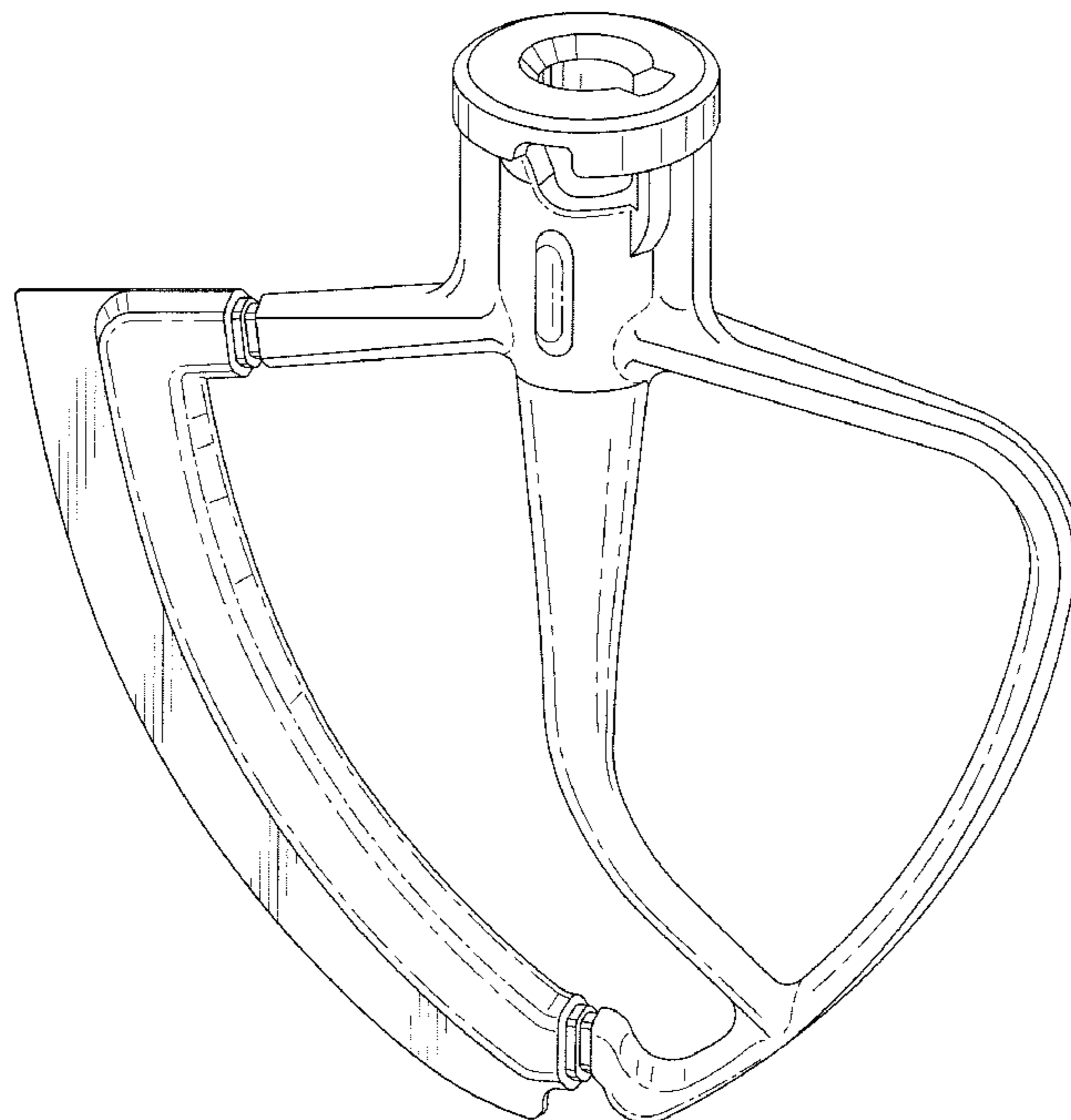
FIG. 5 is a bottom plan view of the wiping beater of FIG. 1;

FIG. 6 is a first side elevation view of the wiping beater of FIG. 1; and,

FIG. 7 is a second side elevation view of the wiping beater of FIG. 1.

The portion shown in broken lines is for illustrative purposes only and forms no part of the claimed design.

1 Claim, 5 Drawing Sheets



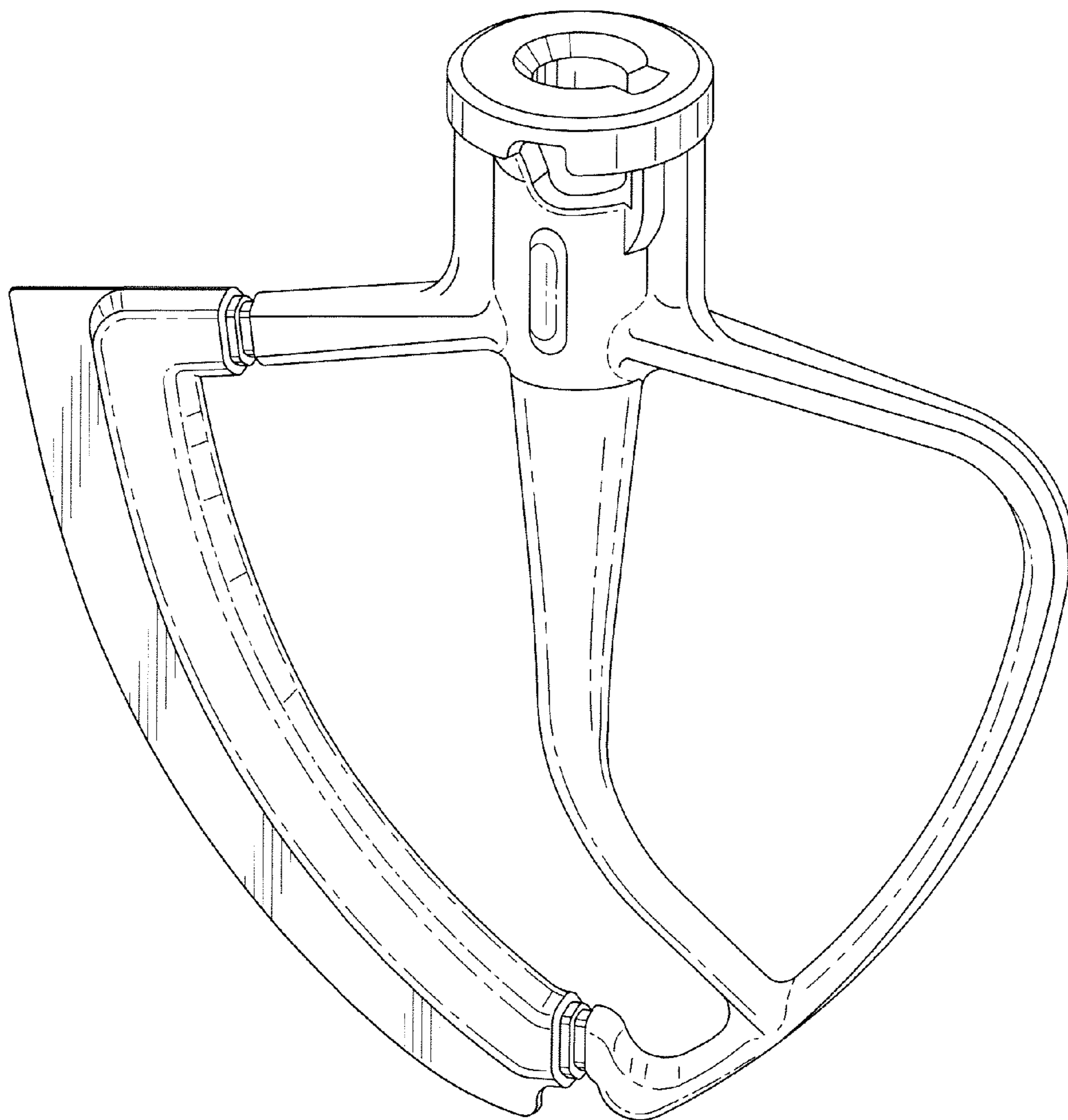


Fig. 1

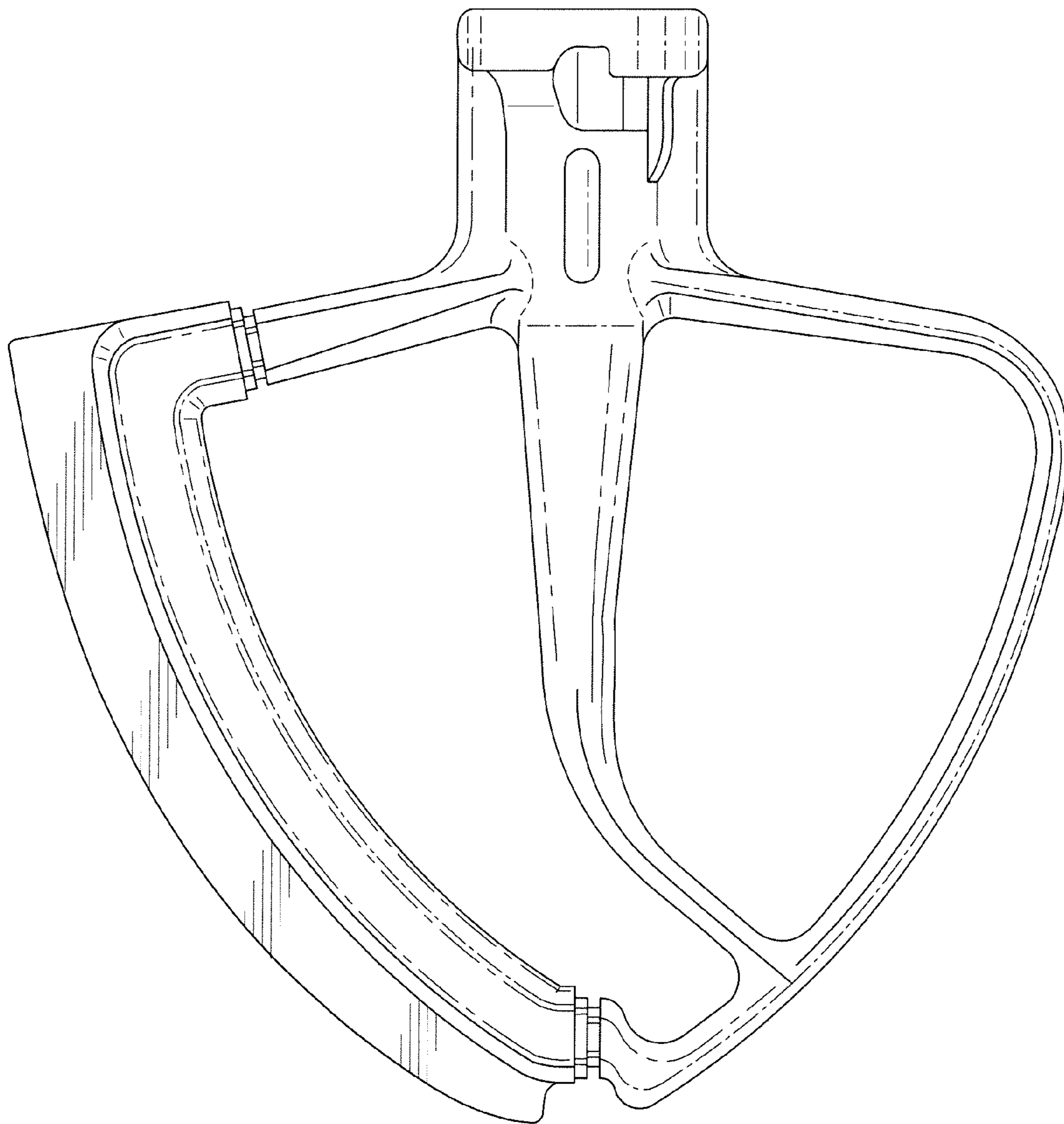


Fig. 2

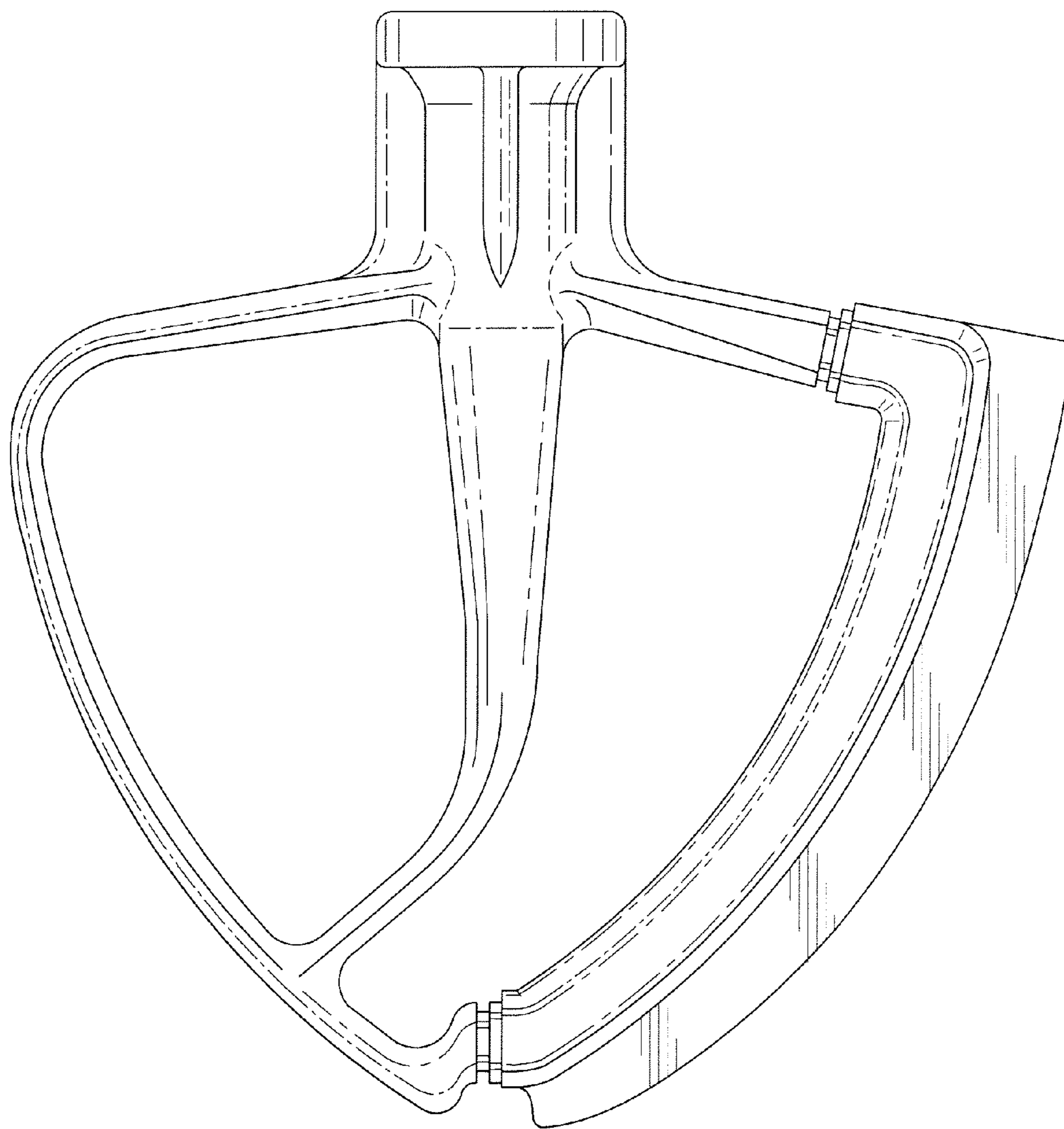


Fig. 3

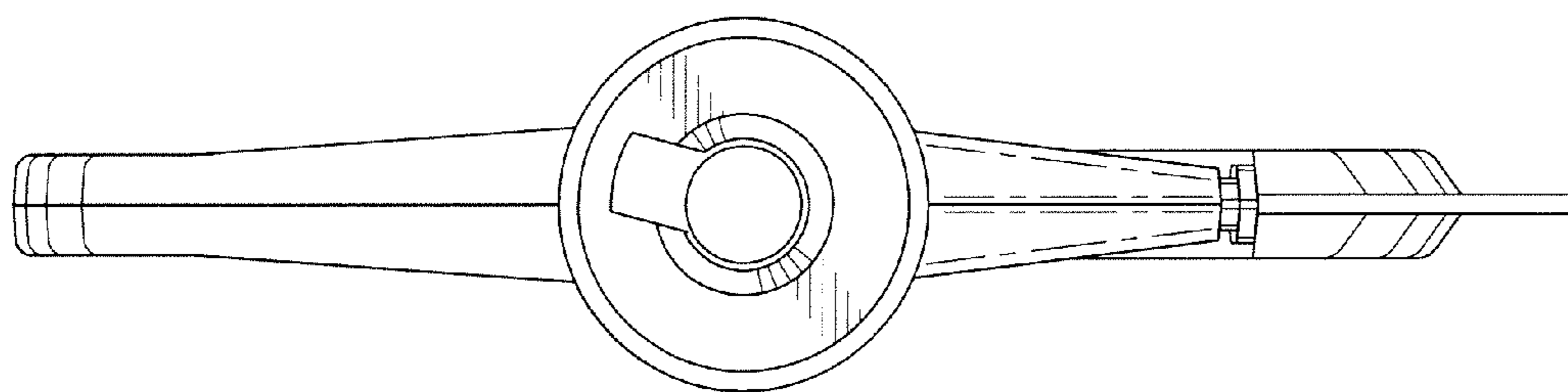


Fig. 4

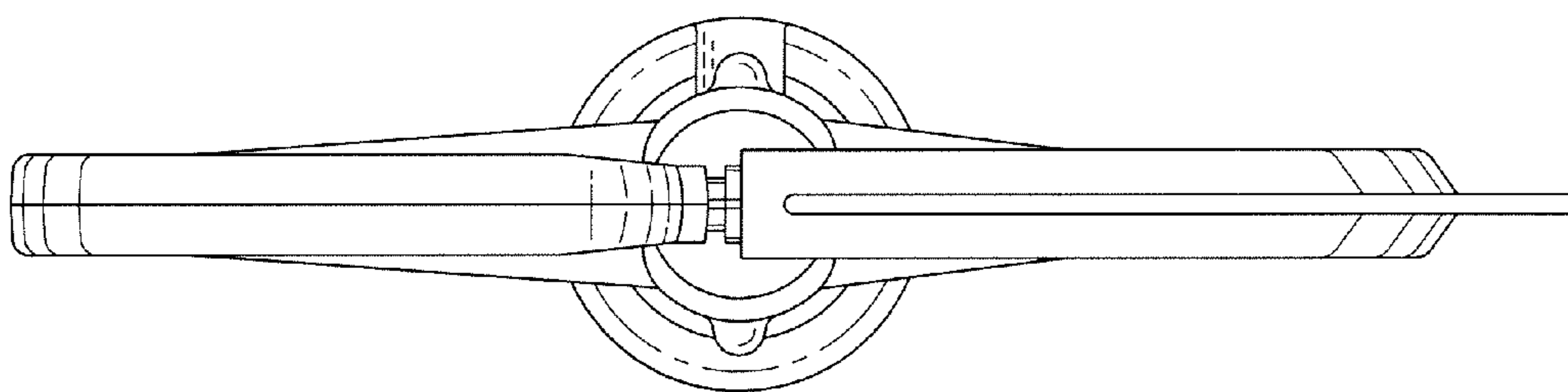


Fig. 5

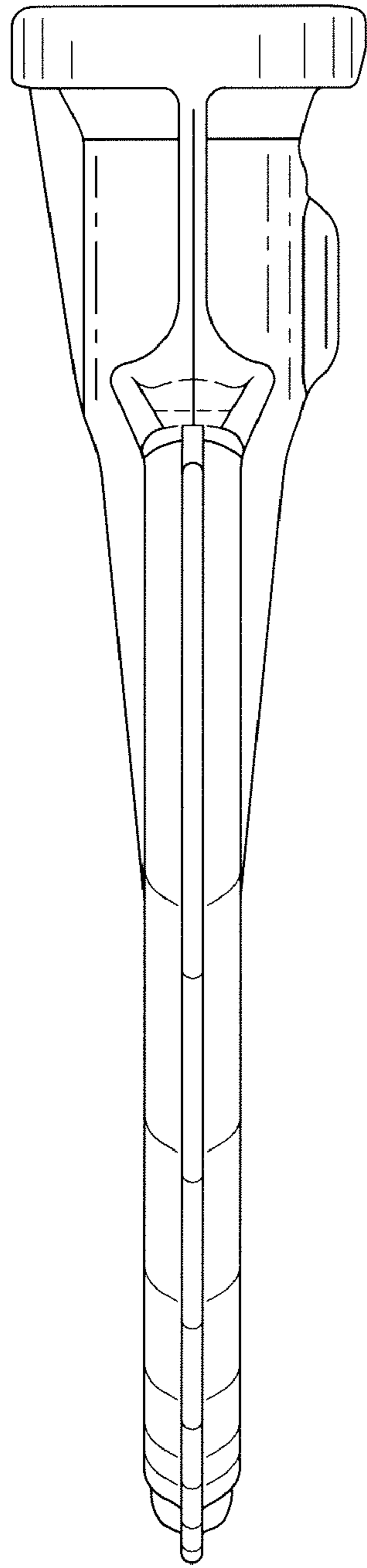


Fig. 6

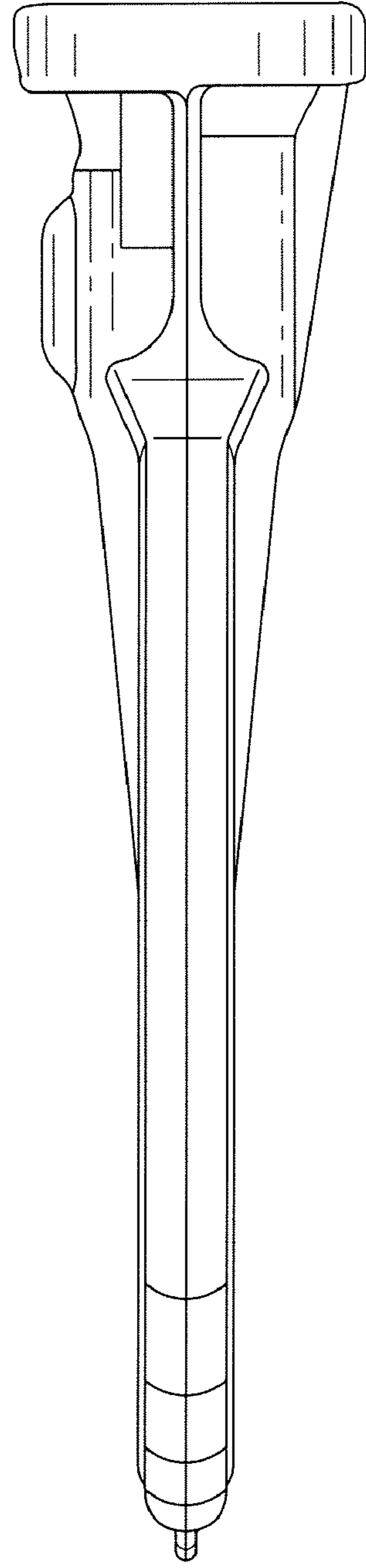


Fig. 7