



US00D664806S

(12) **United States Design Patent**
Peterman

(10) **Patent No.:** **US D664,806 S**

(45) **Date of Patent:** **** Aug. 7, 2012**

(54) **GRILL HOOD**

(76) Inventor: **Gary Peterman**, Smyrna, GA (US)

(**) Term: **14 Years**

(21) Appl. No.: **29/399,928**

(22) Filed: **Aug. 20, 2011**

(51) **LOC (9) Cl.** **07-02**

(52) **U.S. Cl.** **D7/402**

(58) **Field of Classification Search** D7/332,
D7/334-337, 402-407, 409; 126/25 R, 25 A,
126/25 AA, 29-30, 9 R, 37-38, 41 R, 40-50,
126/332, 39 M, 214 R, 307 R, 334, 276,
126/268; 99/481, 482; D6/511; 219/461.1;
312/100, 236

See application file for complete search history.

(56) **References Cited**

U.S. PATENT DOCUMENTS

D466,368 S * 12/2002 Neal et al. D7/402
D488,025 S * 4/2004 Tseng D7/402

D514,381 S * 2/2006 Chung D7/402
D526,535 S * 8/2006 Chung D7/402
D526,843 S * 8/2006 Chung D7/402

* cited by examiner

Primary Examiner — Ruth McInroy

(74) *Attorney, Agent, or Firm* — Aquilla Patents & Marks
PLLC; Thomas T. Aquilla

(57) **CLAIM**

I claim the ornamental design for a grill hood, as shown.

DESCRIPTION

FIG. 1 is a top, front and left-side perspective view of a grill hood showing my new design;

FIG. 2 is a bottom, rear and right-side perspective view thereof;

FIG. 3 is a front elevation view thereof;

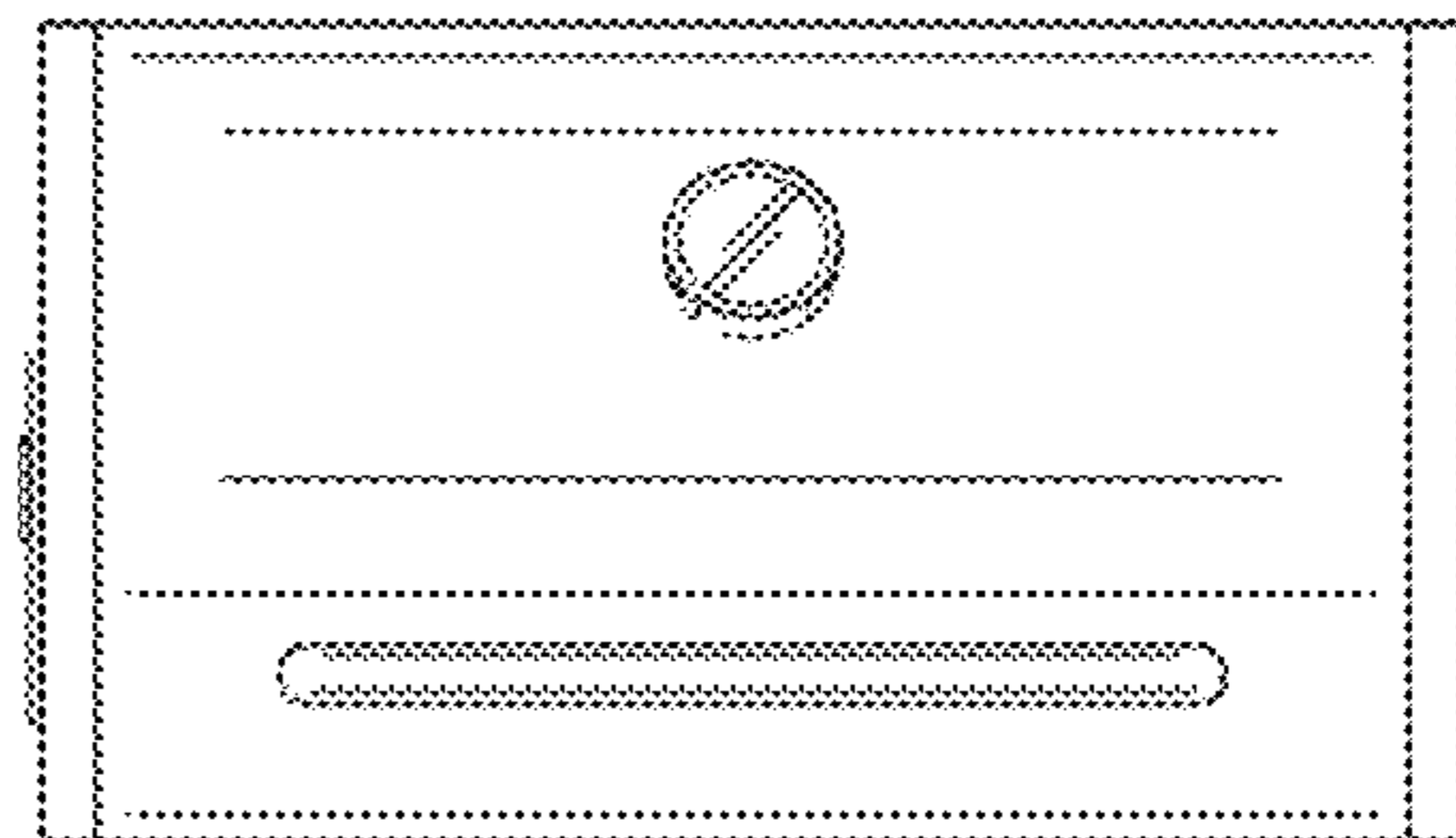
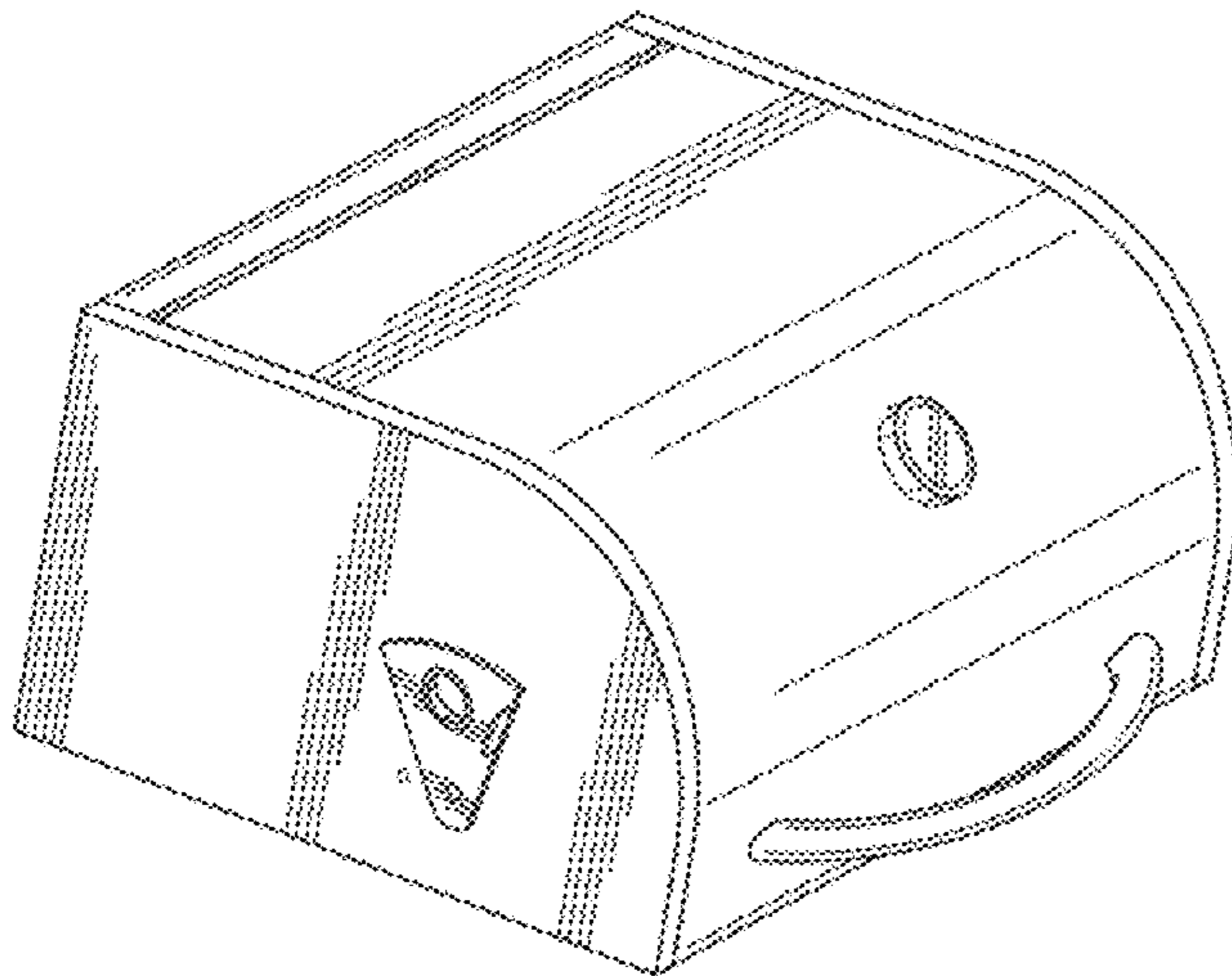
FIG. 4 is a rear elevation view thereof;

FIG. 5 is a right-side elevation view thereof, the opposite side is a mirror image;

FIG. 6 is a top plan view thereof; and,

FIG. 7 is a bottom plan view thereof.

1 Claim, 5 Drawing Sheets



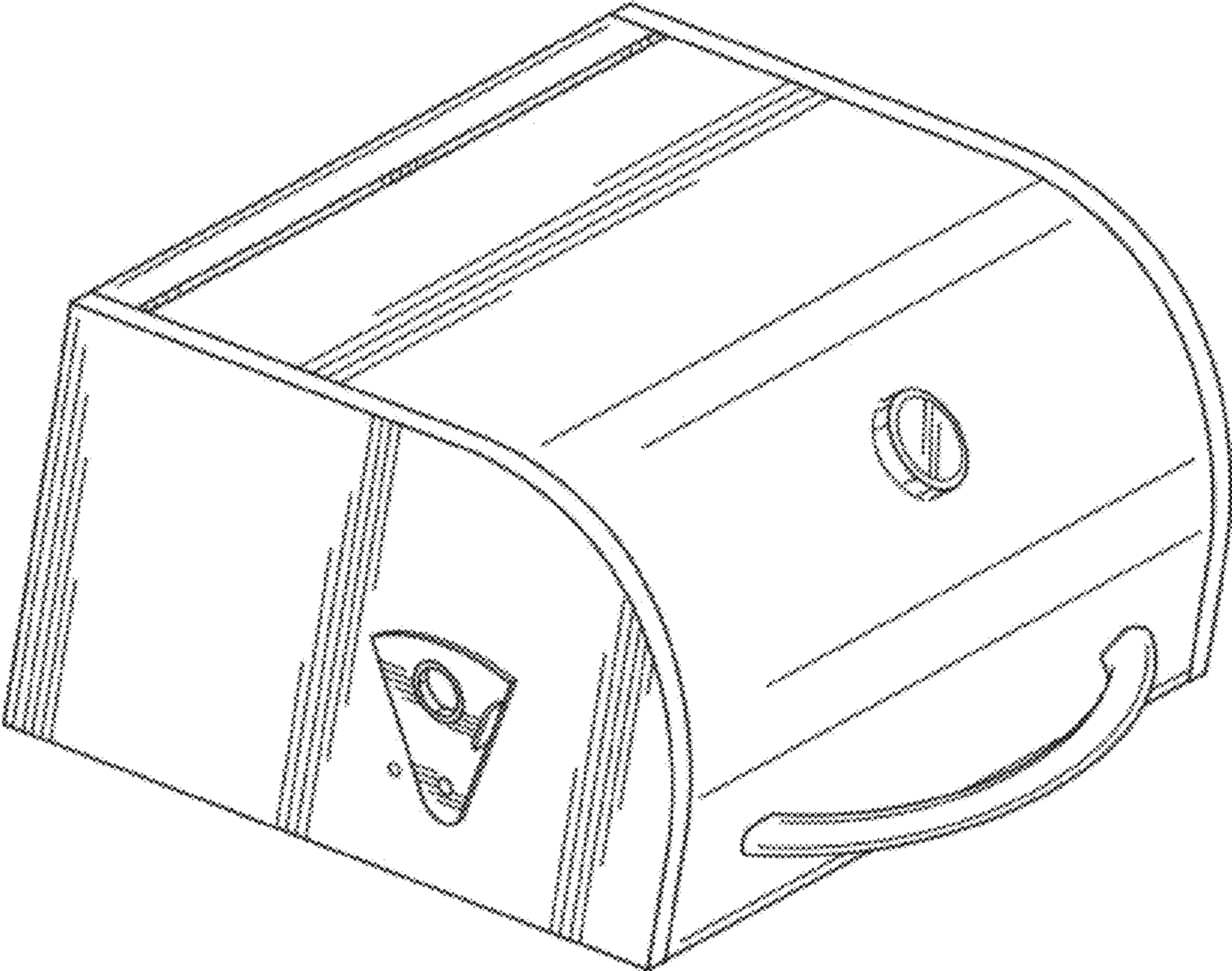


FIG. 1

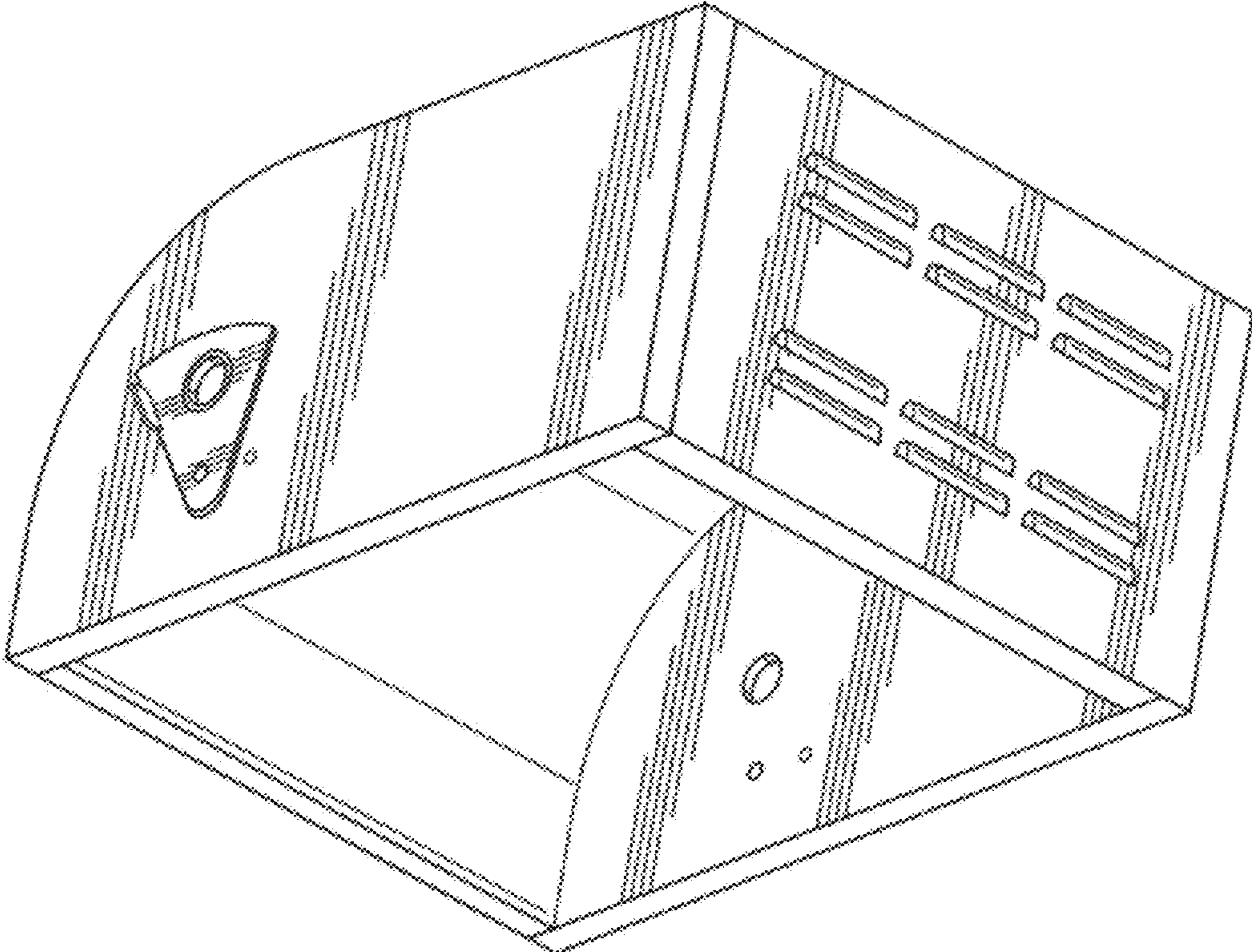


FIG. 2

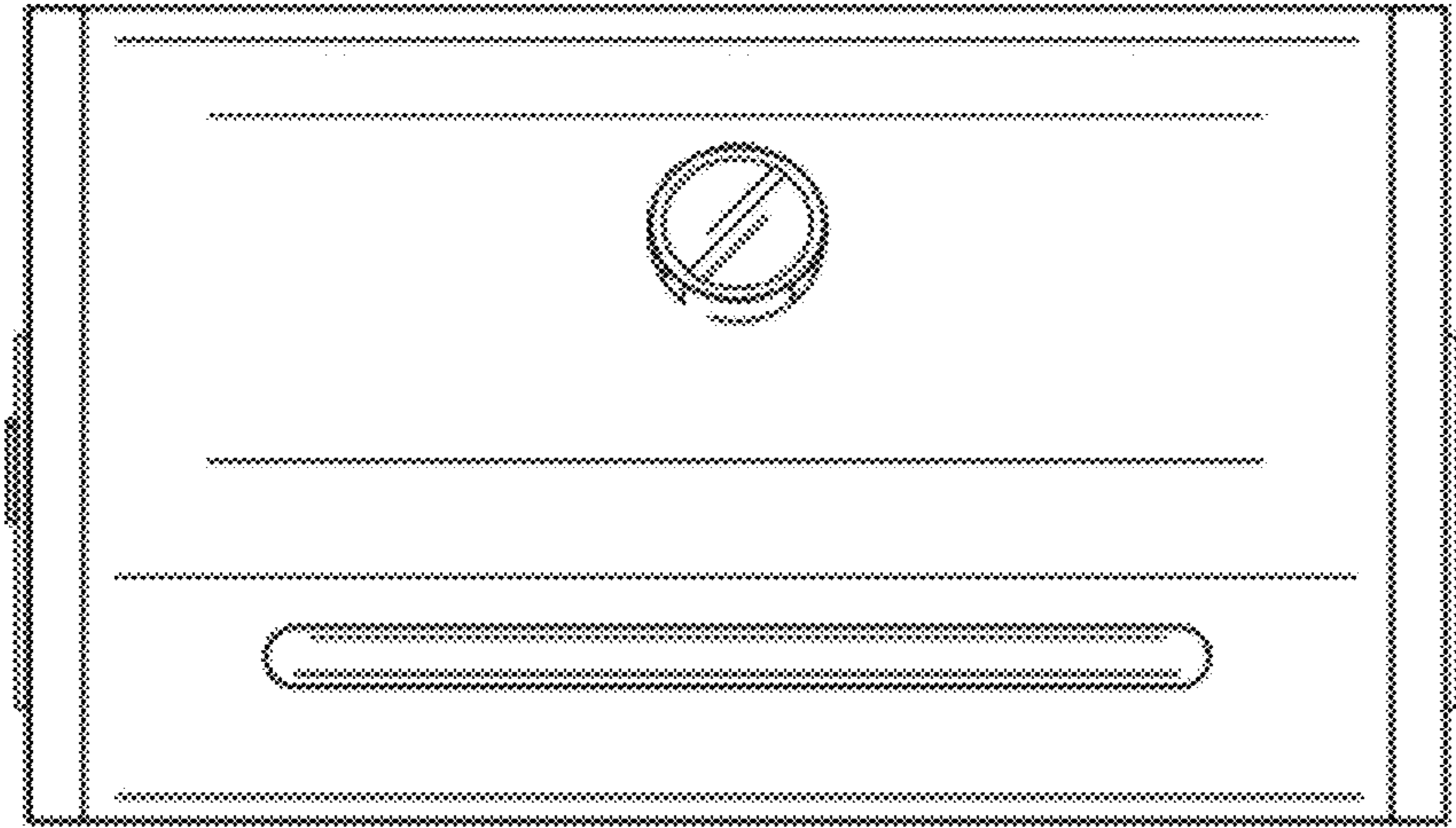


FIG. 3

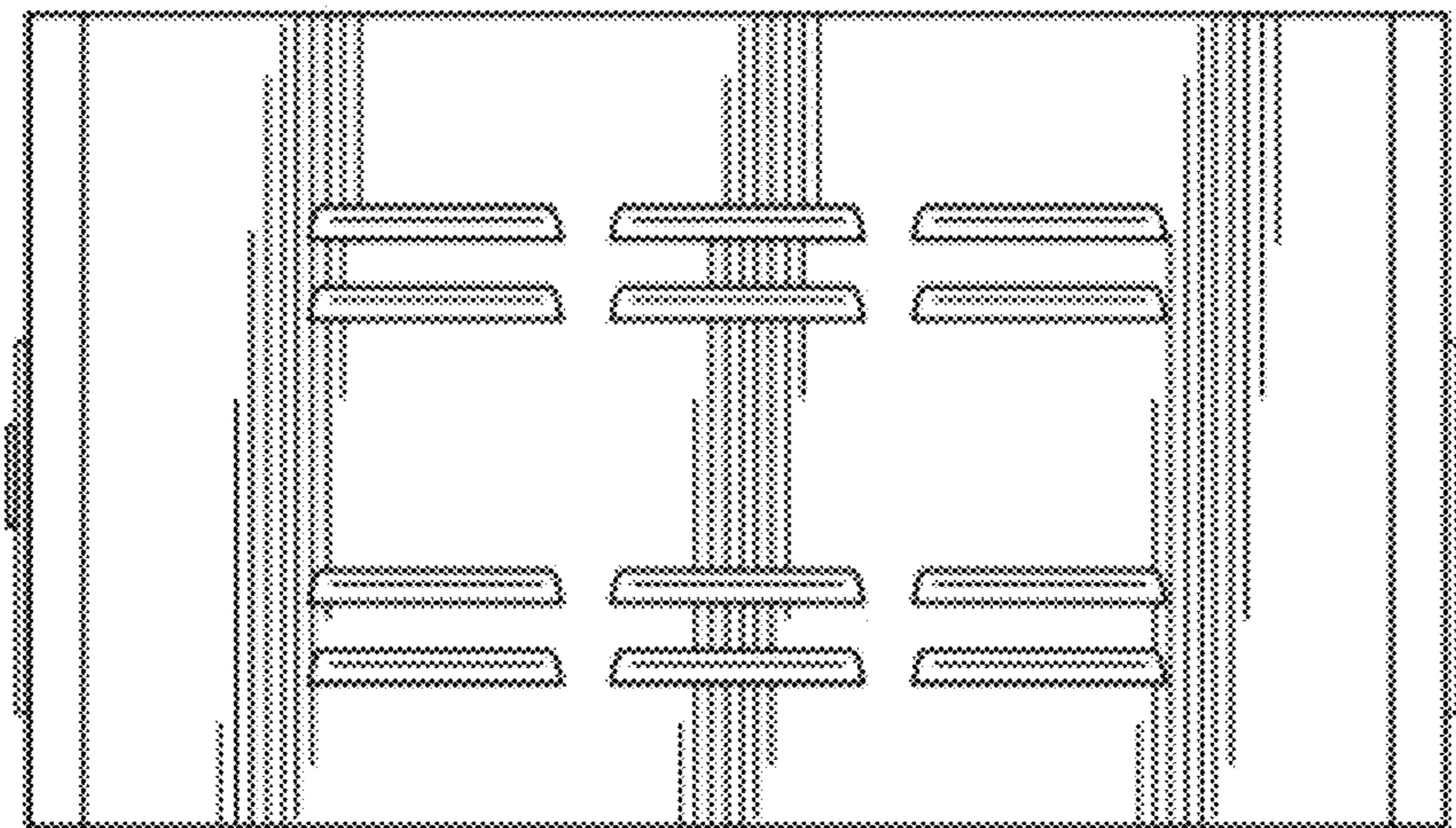


FIG. 4

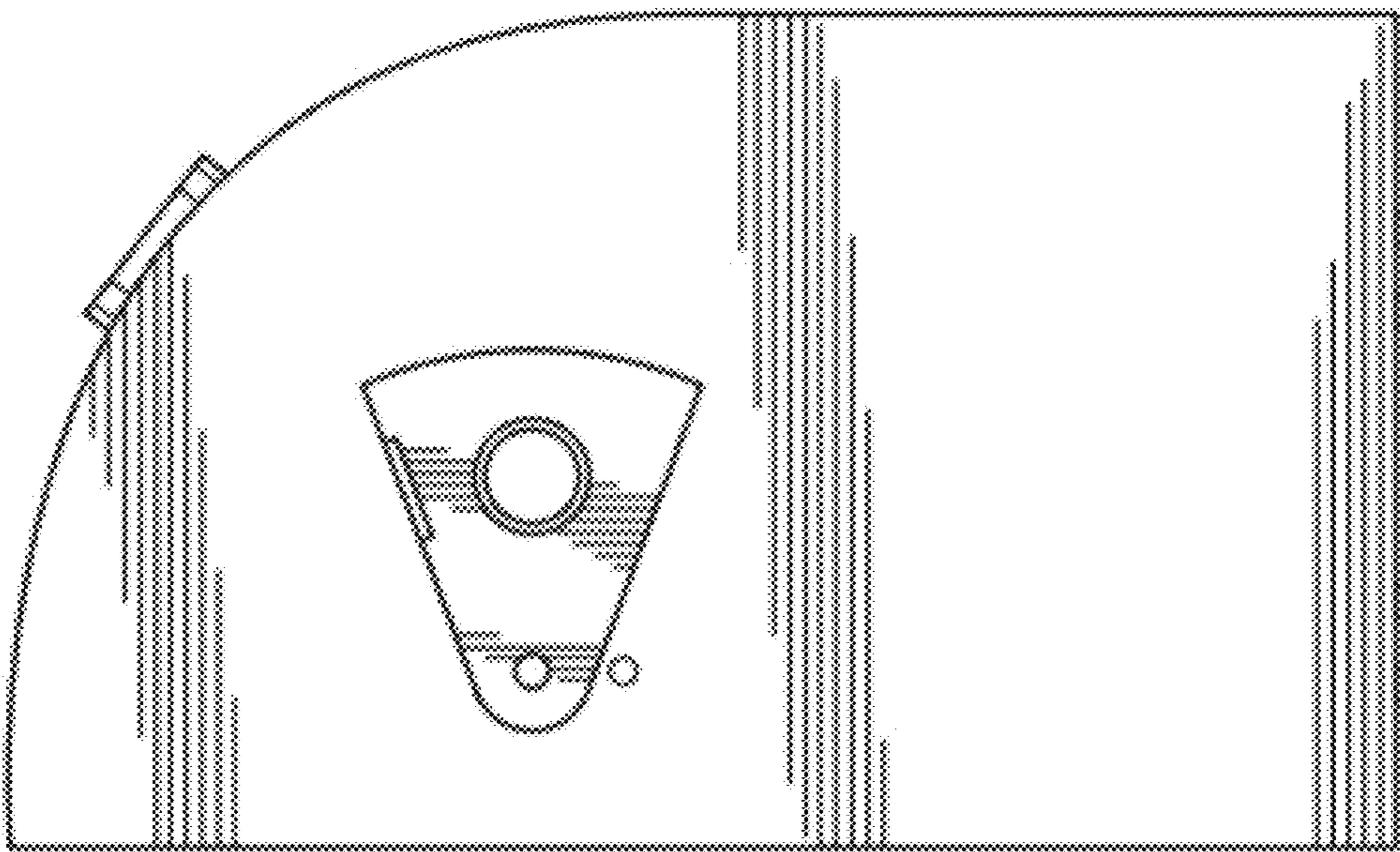


FIG. 5

5/5

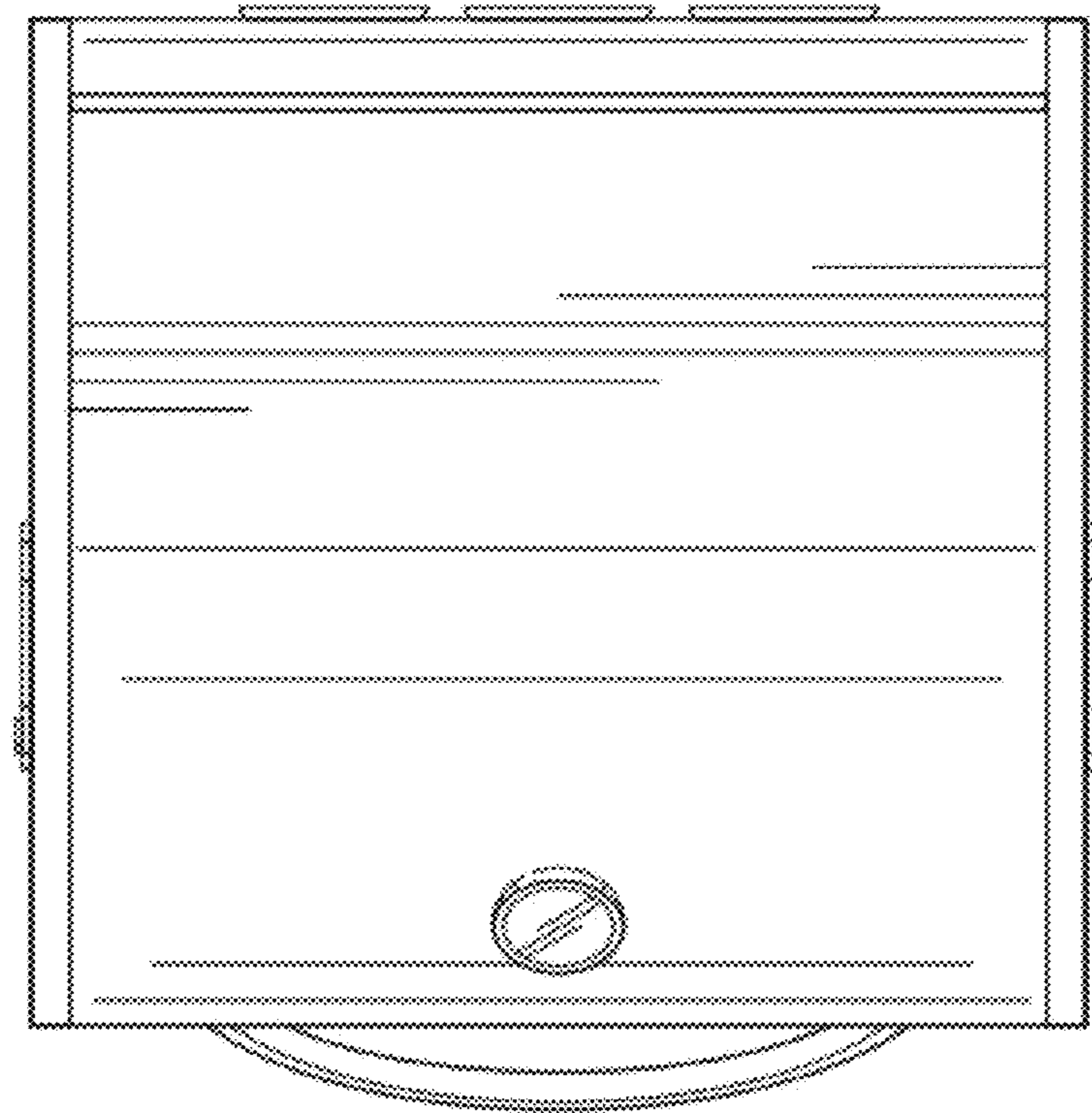


FIG. 6

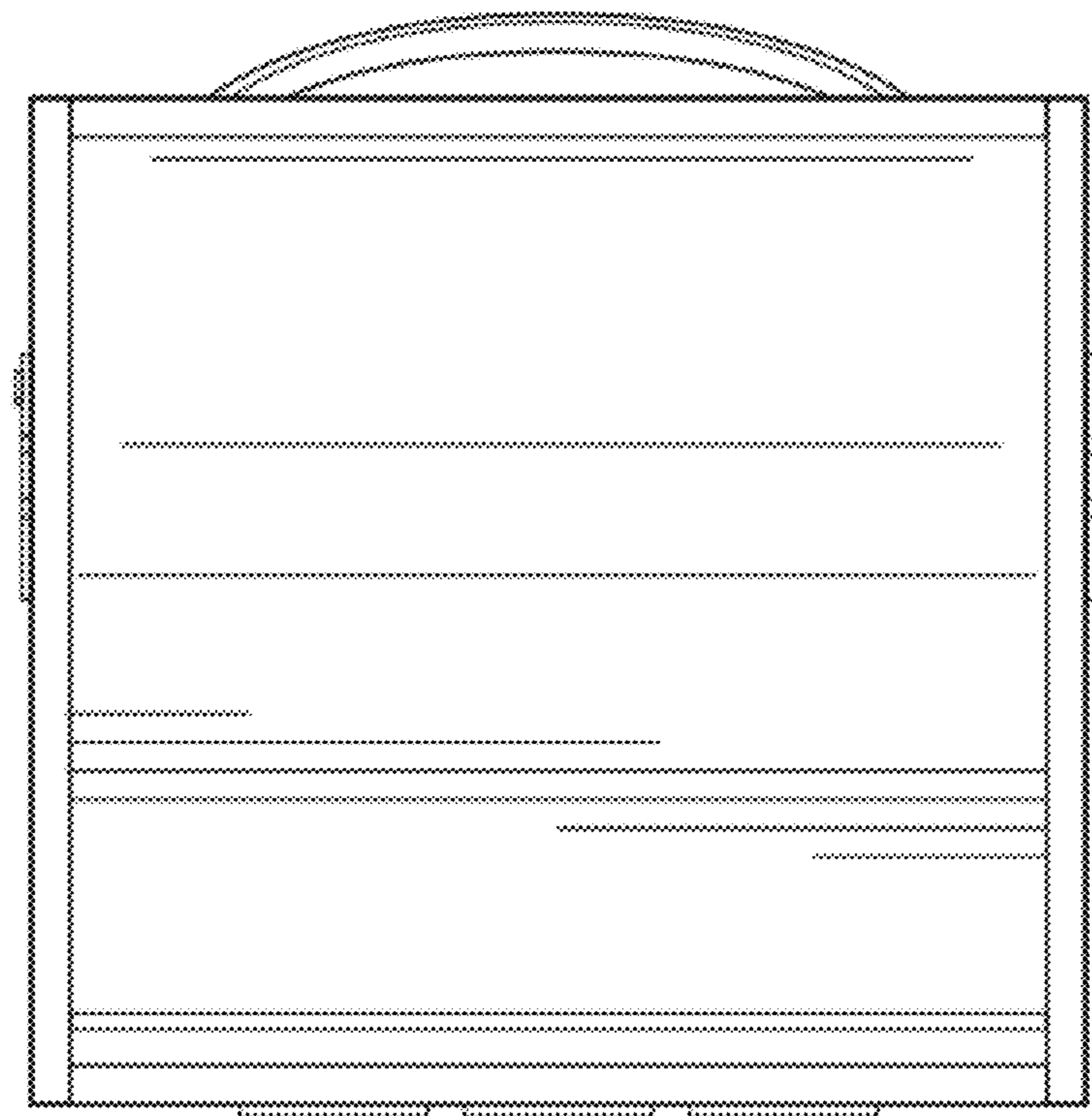


FIG. 7