



US00D664803S

(12) **United States Design Patent**
Argondizzo et al.

(10) **Patent No.:** **US D664,803 S**
(45) **Date of Patent:** **** Aug. 7, 2012**

(54) **GLASS RIMMER**

(76) Inventors: **Vincent Argondizzo**, Henderson, NV
(US); **Andrea Stearman**, Henderson,
NV (US)

(**) Term: **14 Years**

(21) Appl. No.: **29/332,184**

(22) Filed: **Feb. 10, 2009**

(51) **LOC (9) Cl.** **31-00**

(52) **U.S. Cl.** **D7/368**

(58) **Field of Classification Search** D7/368,
D7/669, 412, 553.1, 553.2, 553.3, 357, 708,
D7/590, 596, 388, 701, 543, 549; D19/86;
D6/396, 432, 509-511; 99/353, 354; 426/420,
426/132; 220/4.26, 23.83; D3/272, 273,
D3/276, 294, 295, 296, 297, 298, 903
See application file for complete search history.

(56) **References Cited**

U.S. PATENT DOCUMENTS

2,138,560	A *	11/1938	Stuart	220/23.83
D157,776	S *	3/1950	Naken	D3/296
3,338,648	A *	8/1967	Bannister	312/195
D214,408	S *	6/1969	Pintea	D3/275
D255,752	S *	7/1980	Kallstrom	D7/708
D327,967	S *	7/1992	Hikawa	D34/20
D334,491	S *	4/1993	Poland	D6/432
D341,737	S *	11/1993	Shepherd	D6/509
D361,430	S *	8/1995	Mohundro	D3/297
D381,533	S *	7/1997	Mohundro	D6/445
D381,837	S *	8/1997	Lin	D6/445
D401,478	S *	11/1998	Greenway et al.	D7/601
D411,783	S *	7/1999	Kualaau	D7/601
D413,488	S *	9/1999	Foley	D7/553.8
D417,783	S *	12/1999	Wolf	D3/297
D432,306	S *	10/2000	Welch	D3/295
D475,197	S *	6/2003	Stoddard	D3/284
D485,682	S *	1/2004	Wolf	D3/295
D505,833	S *	6/2005	Ahearn	D7/553.4
D526,169	S *	8/2006	Zafropoulos	D7/705
D535,117	S *	1/2007	Davis	D6/440

D537,651	S *	3/2007	Seo et al.	D6/446
D554,956	S *	11/2007	Ahearn	D7/698
D563,104	S *	3/2008	Wenck	D3/297
D596,422	S *	7/2009	Hoshino	D6/446
D599,589	S *	9/2009	Cassel	D6/510
7,665,417	B1 *	2/2010	Harper	119/51.01
D643,216	S *	8/2011	Greiner	D3/296

OTHER PUBLICATIONS

http://www.amazon.com/Margarita-Cocktail-Glass-Rimmer-Tier/dp/B000FAK9WE/ref=sr_1_1?ie=UTF8&s=home-garden&qid=1234297119&sr=8-1.

* cited by examiner

Primary Examiner — Elizabeth J Oswecki

(74) *Attorney, Agent, or Firm* — Weiss & Moy, P.C.;
Veronica-Adele R. Cao

(57) **CLAIM**

The ornamental design for a glass rimmer, as shown and described.

DESCRIPTION

FIG. 1 is an elevated perspective view of a glass rimmer with the top lid and bottom drawer shown in an open position; the glass and the circular shapes illustrating surface texture of the sponge are shown in broken lines and form no part of the claimed design;

FIG. 2 is a front view of a glass rimmer with the top lid and drawers shown in a closed position;

FIG. 3 is a top view thereof;

FIG. 4 is a side view thereof;

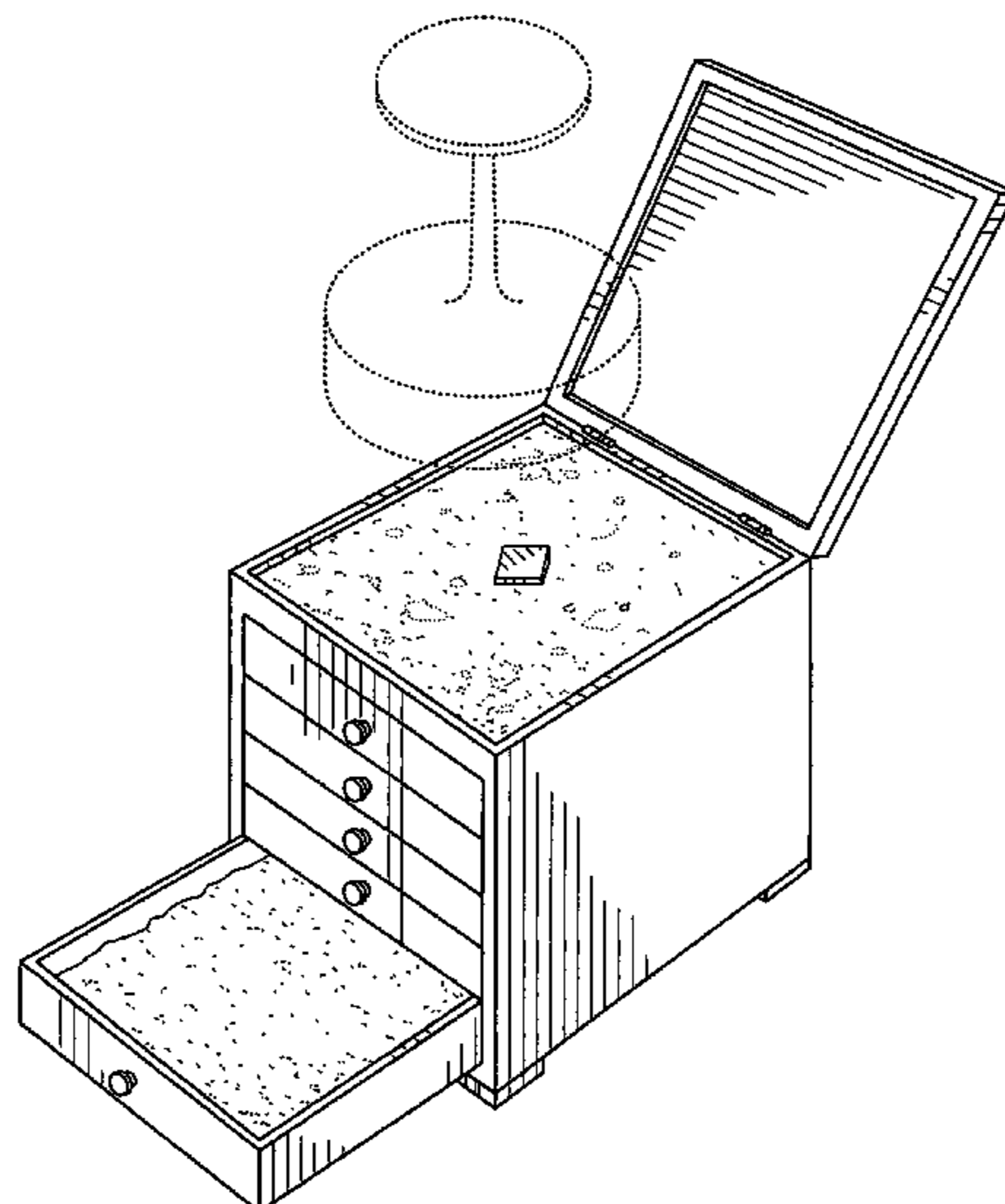
FIG. 5 is a rear view thereof;

FIG. 6 is a bottom view thereof; and,

FIG. 7 is a perspective view of the sponge of the glass rimmer shown separately for ease of illustration, the circular shapes shown in broken lines illustrating surface texture of the sponge, form no part of the claim.

All surfaces not shown form no part of the claimed design.

1 Claim, 7 Drawing Sheets



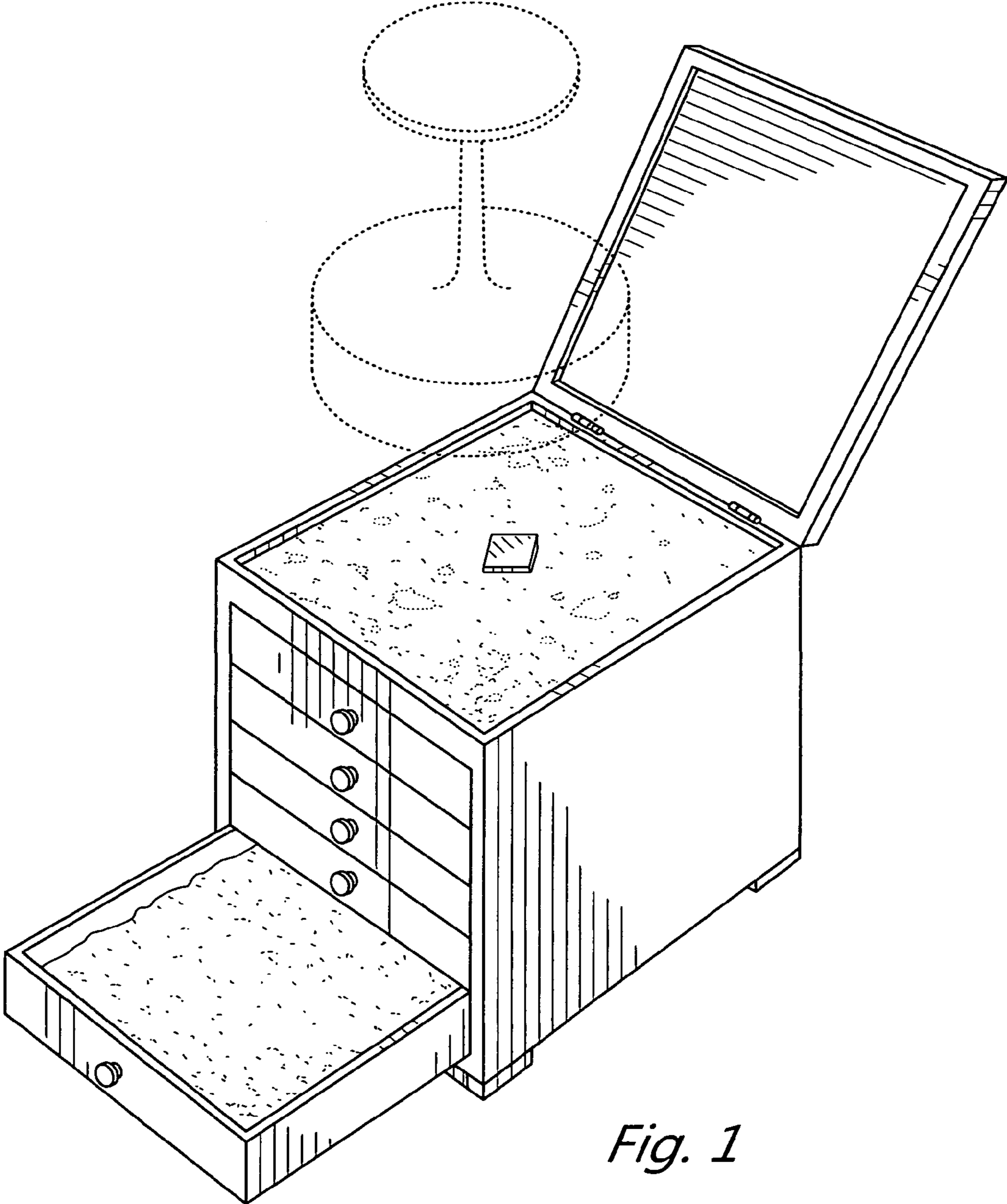


Fig. 1

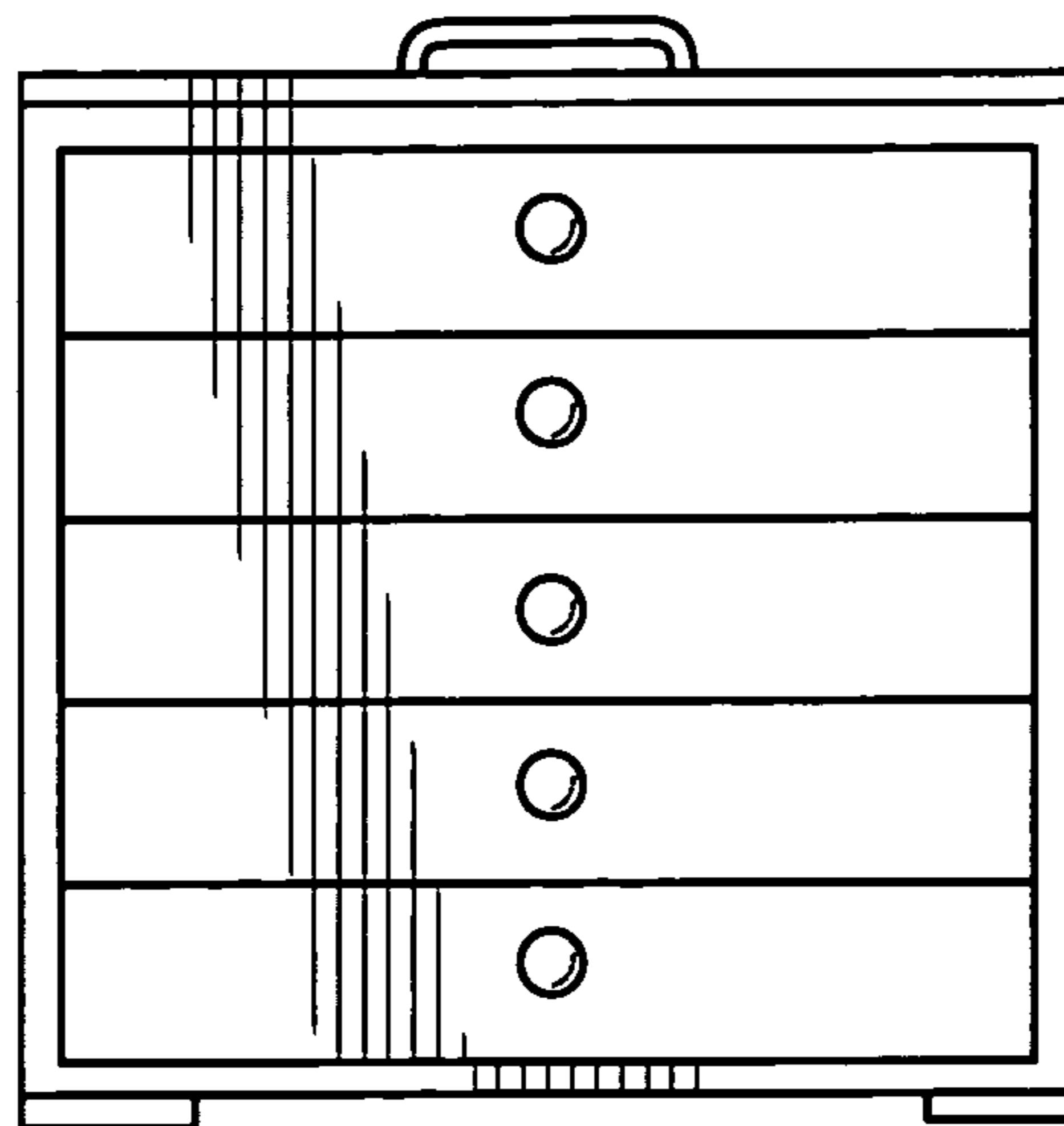


Fig. 2

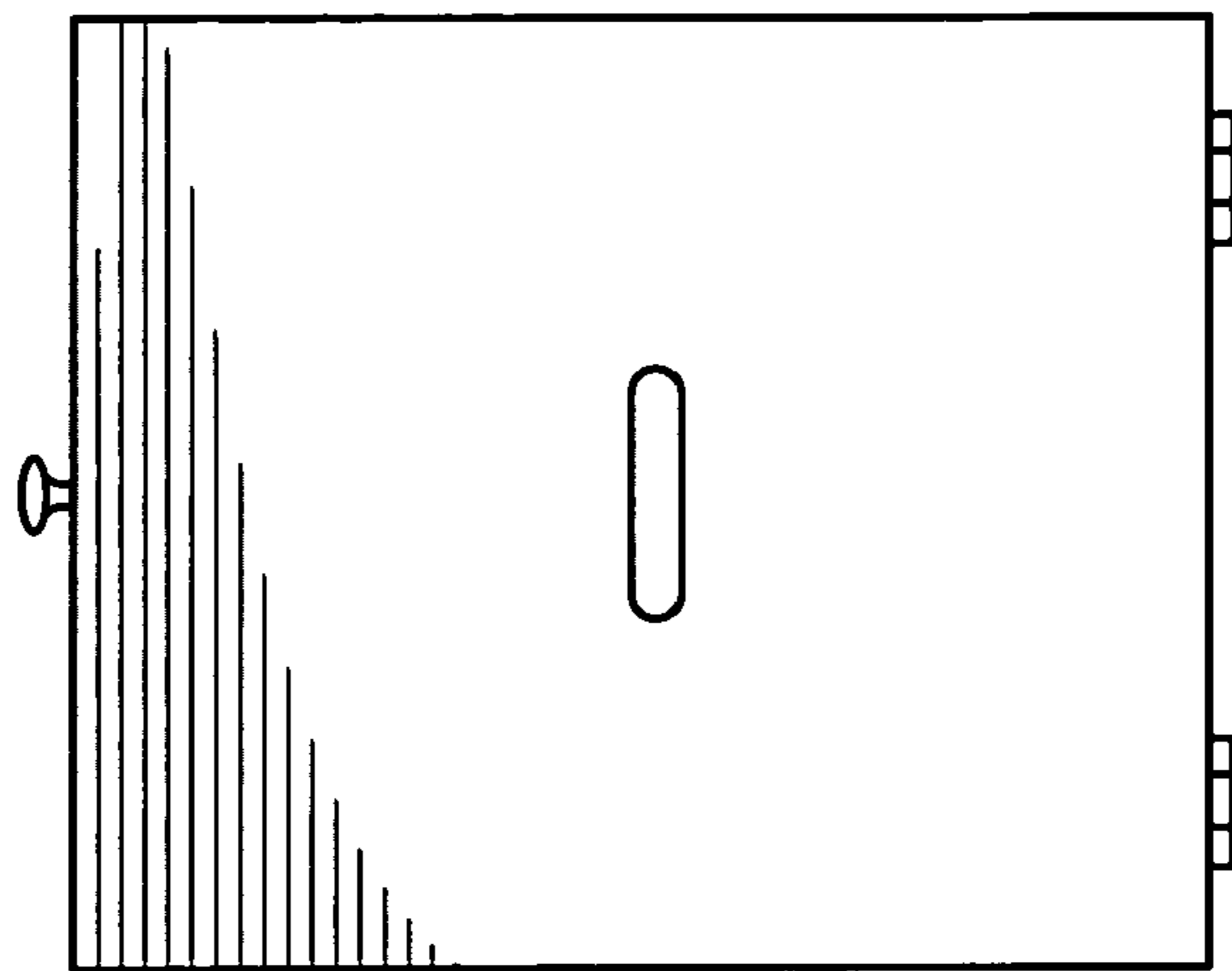


Fig. 3

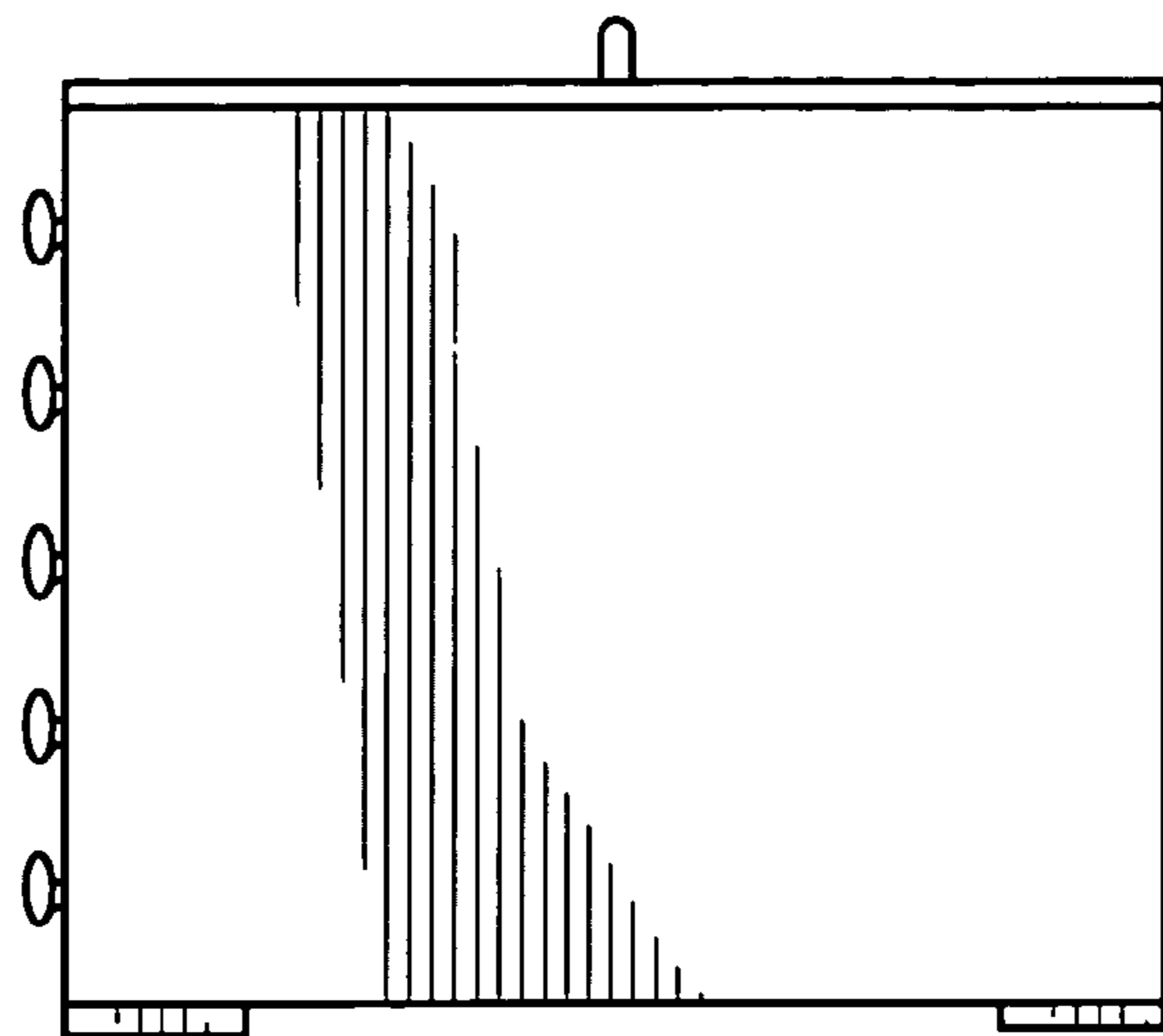


Fig. 4

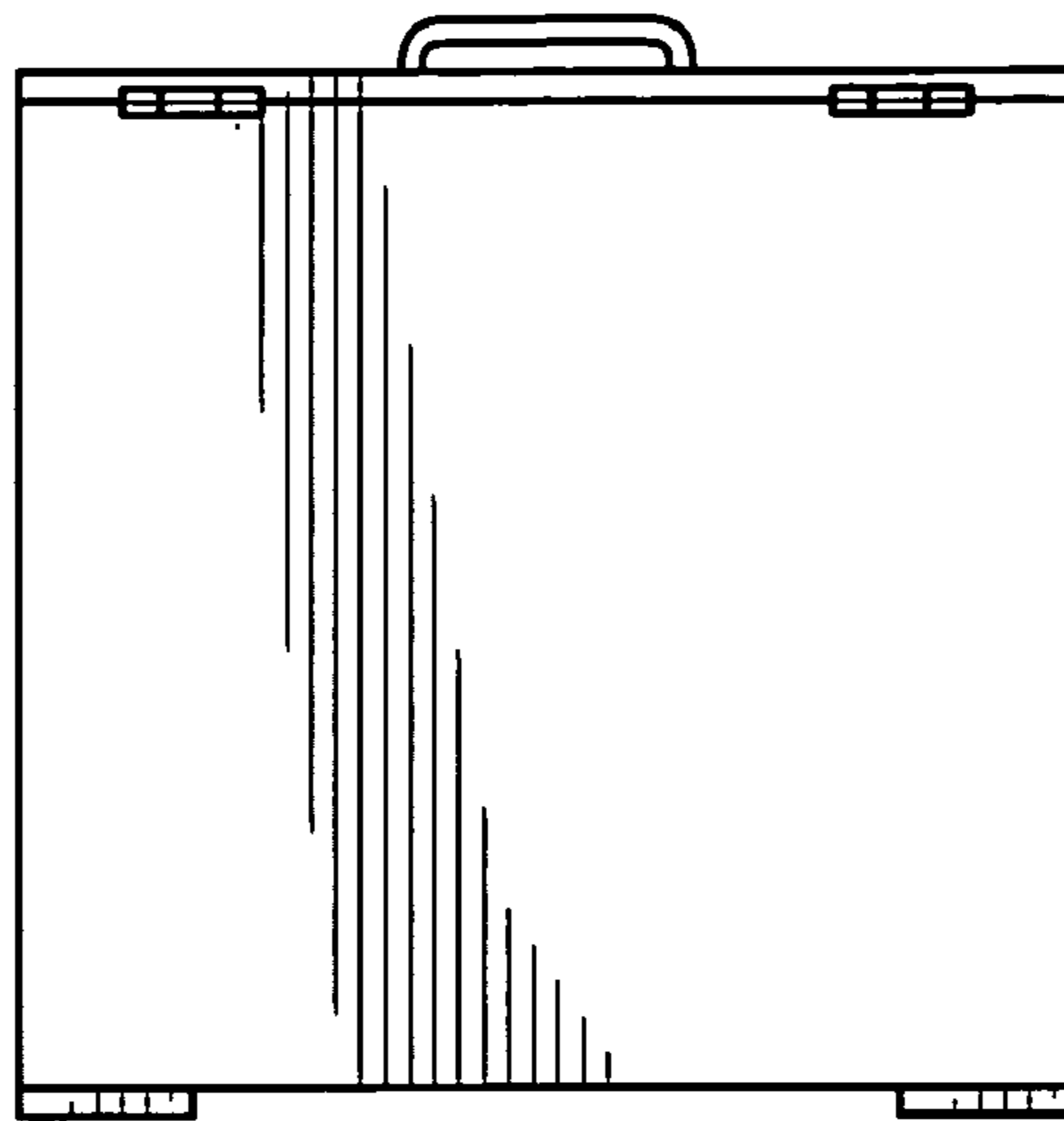


Fig. 5

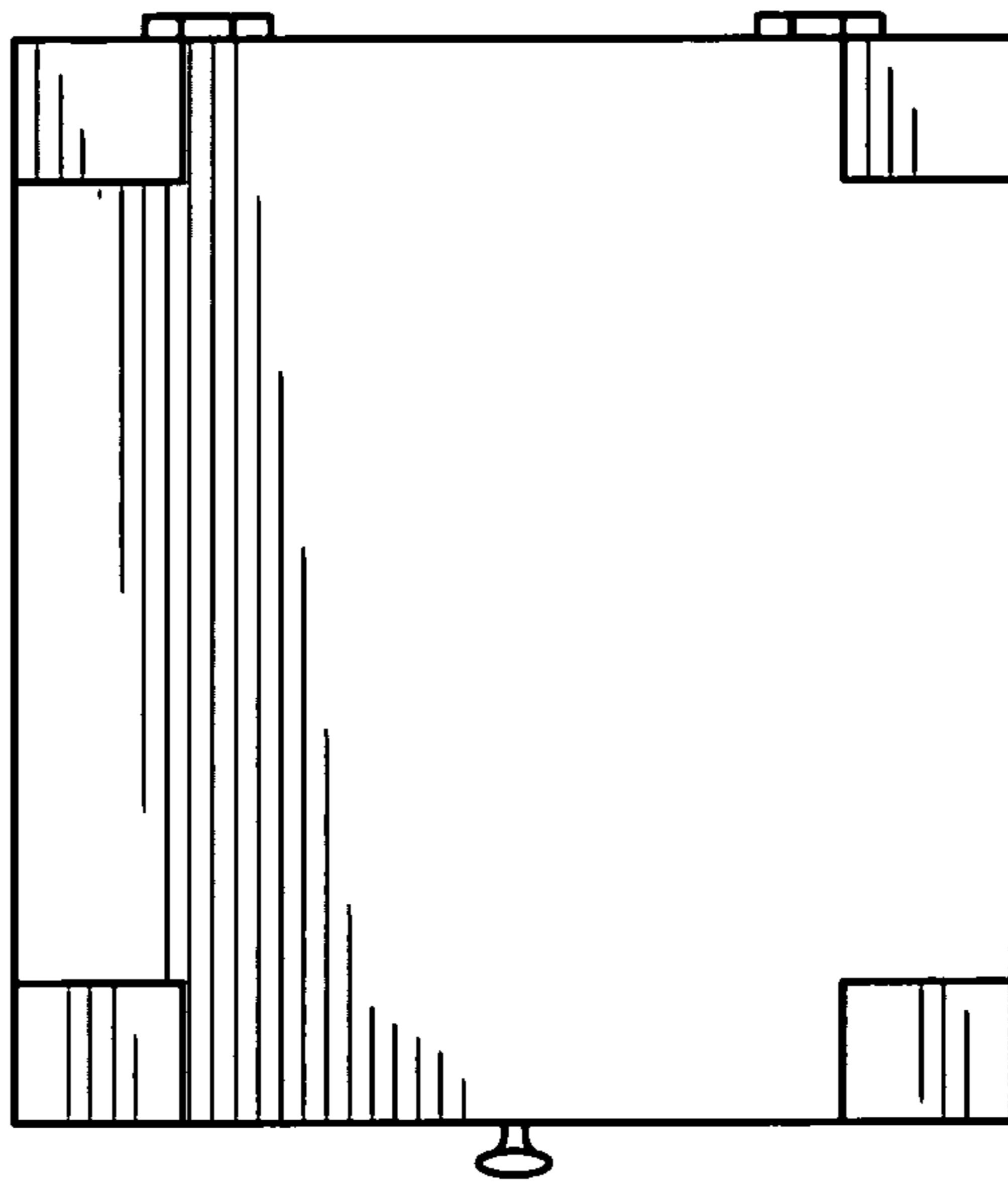


Fig. 6

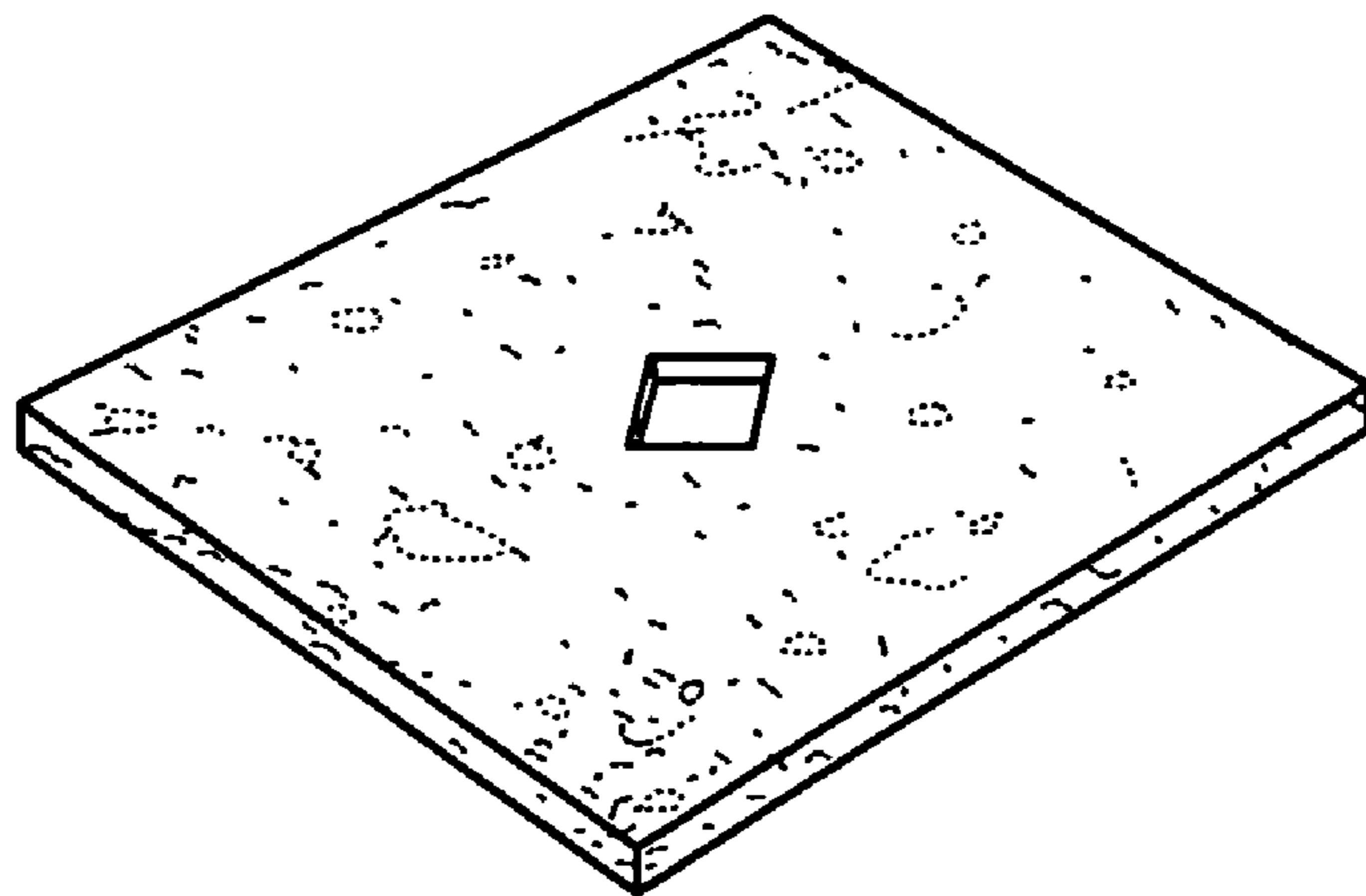


Fig. 7