



US00D664802S

(12) **United States Design Patent**  
**Upston**

(10) **Patent No.:** **US D664,802 S**

(45) **Date of Patent:** **\*\* Aug. 7, 2012**

(54) **ELECTRIC FRY PAN**

(75) Inventor: **Greg Upston**, Ridgewood (AU)

(73) Assignee: **Breville Pty Limited**, Botany, New South Wales (AU)

(\*\*) Term: **14 Years**

(21) Appl. No.: **29/411,655**

(22) Filed: **Jan. 25, 2012**

(30) **Foreign Application Priority Data**

Jul. 29, 2011 (AU) ..... 13369/2011

(51) **LOC (9) Cl.** ..... **07-02**

(52) **U.S. Cl.** ..... **D7/362; D7/354**

(58) **Field of Classification Search** ..... D7/323,  
D7/329-332, 337, 346-347, 350.1-350.4,  
D7/353-367, 391, 393, 395, 402, 406, 538,  
D7/542; 99/324-325, 331-332, 337-340,  
99/369, 400-418, 422, 425, 444, 483; 126/37 R,  
126/41 R, 261, 378.1; 206/501-505, 507-508;  
219/400, 405, 429-442, 620-624, 725, 730-735;  
220/315, 573.1-573.5, 912; 426/438, 441  
See application file for complete search history.

(56) **References Cited**

**U.S. PATENT DOCUMENTS**

D190,212 S \* 4/1961 Ernest ..... D7/363  
D195,268 S \* 5/1963 Reed ..... D7/360

D199,748 S \* 12/1964 De Fano ..... D7/360  
D231,892 S \* 6/1974 Warshauer ..... D7/365  
D437,182 S \* 2/2001 Choi ..... D7/360  
D444,342 S \* 7/2001 Kruepke et al. .... D7/360  
D444,667 S \* 7/2001 Wong et al. .... D7/362  
D525,076 S \* 7/2006 Olsen et al. .... D7/353  
D542,592 S \* 5/2007 Lubowicki ..... D7/362  
D591,553 S \* 5/2009 Garman et al. .... D7/363  
D614,908 S \* 5/2010 Berge ..... D7/355  
D642,423 S \* 8/2011 Seymour ..... D7/363  
D643,675 S \* 8/2011 Seymour ..... D7/363

\* cited by examiner

*Primary Examiner* — Ricky Pham

(74) *Attorney, Agent, or Firm* — Molins & Co

(57) **CLAIM**

The ornamental design for a electric fry pan, as shown and described.

**DESCRIPTION**

FIG. 1 is a perspective view of a electric fry pan showing my new design;  
FIG. 2 is a right side view thereof;  
FIG. 3 is a left side view thereof;  
FIG. 4 is a front view thereof;  
FIG. 5 is a back view thereof;  
FIG. 6 is top view thereof; and,  
FIG. 7 is a bottom view thereof.

The array of rectangular vents and the central rectangular depression shown in the bottom view of FIG. 7 are for illustrative purposes only and form no part of the claimed design.

**1 Claim, 7 Drawing Sheets**

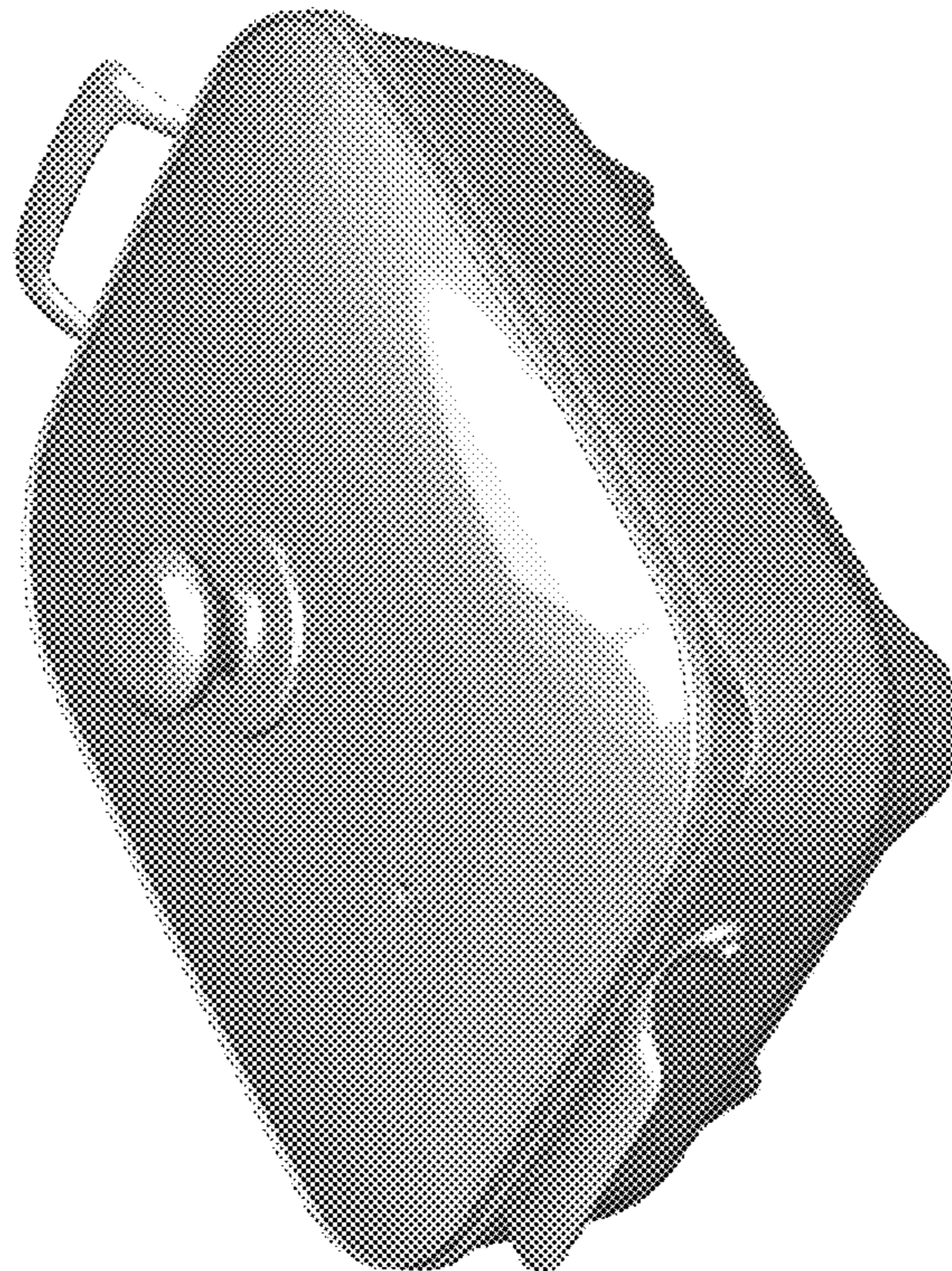




FIG. 1

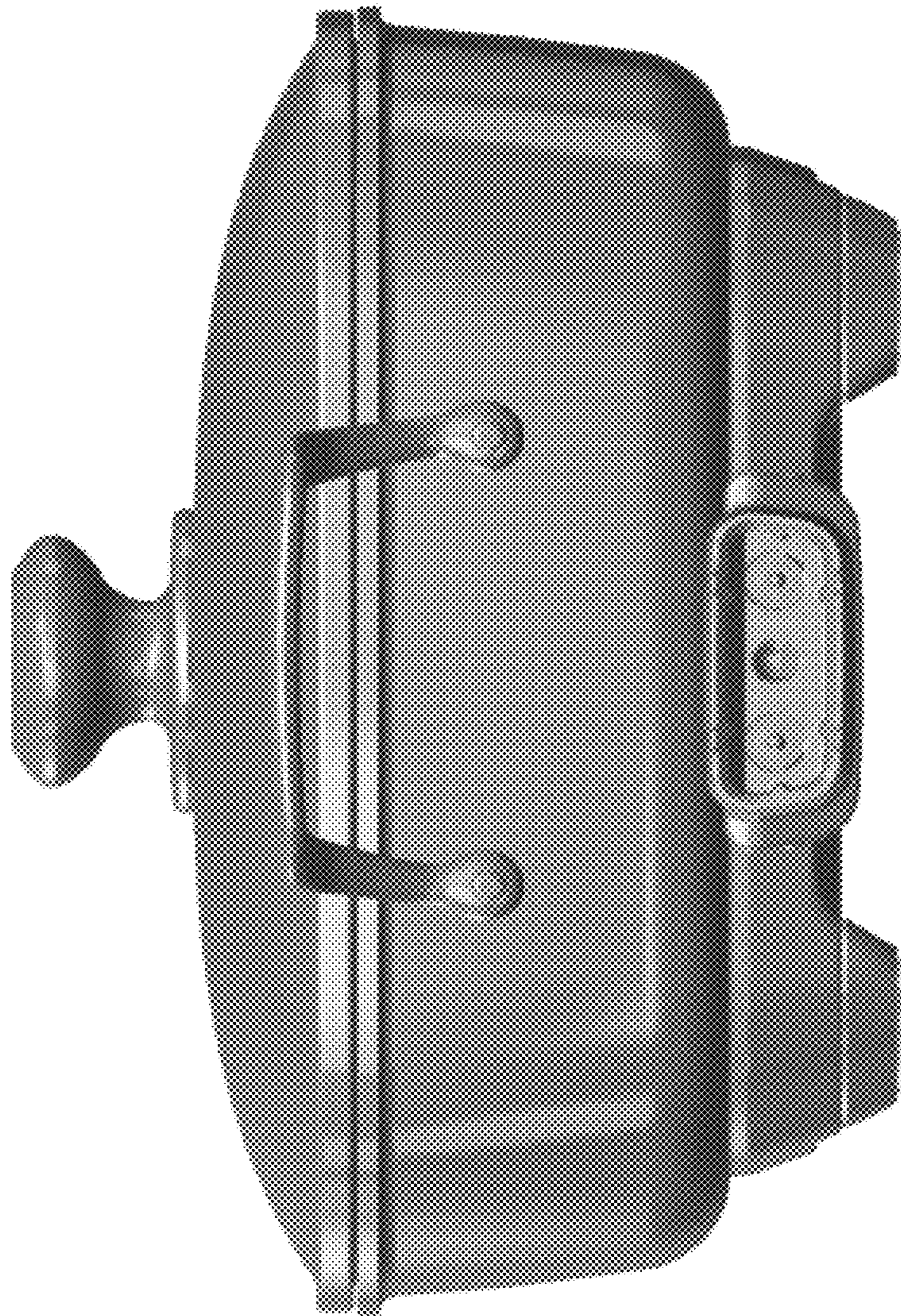


FIG. 2

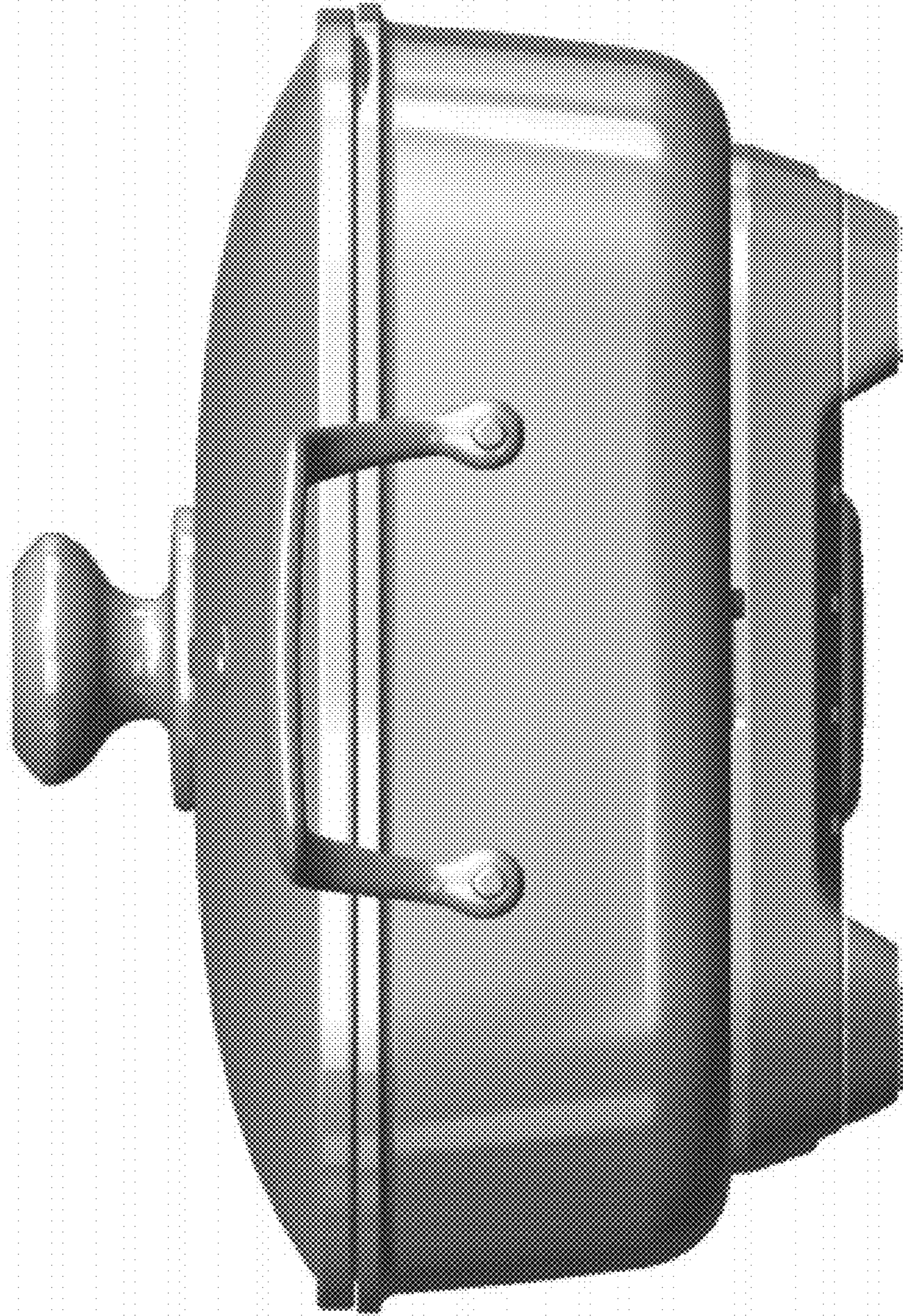


FIG. 3

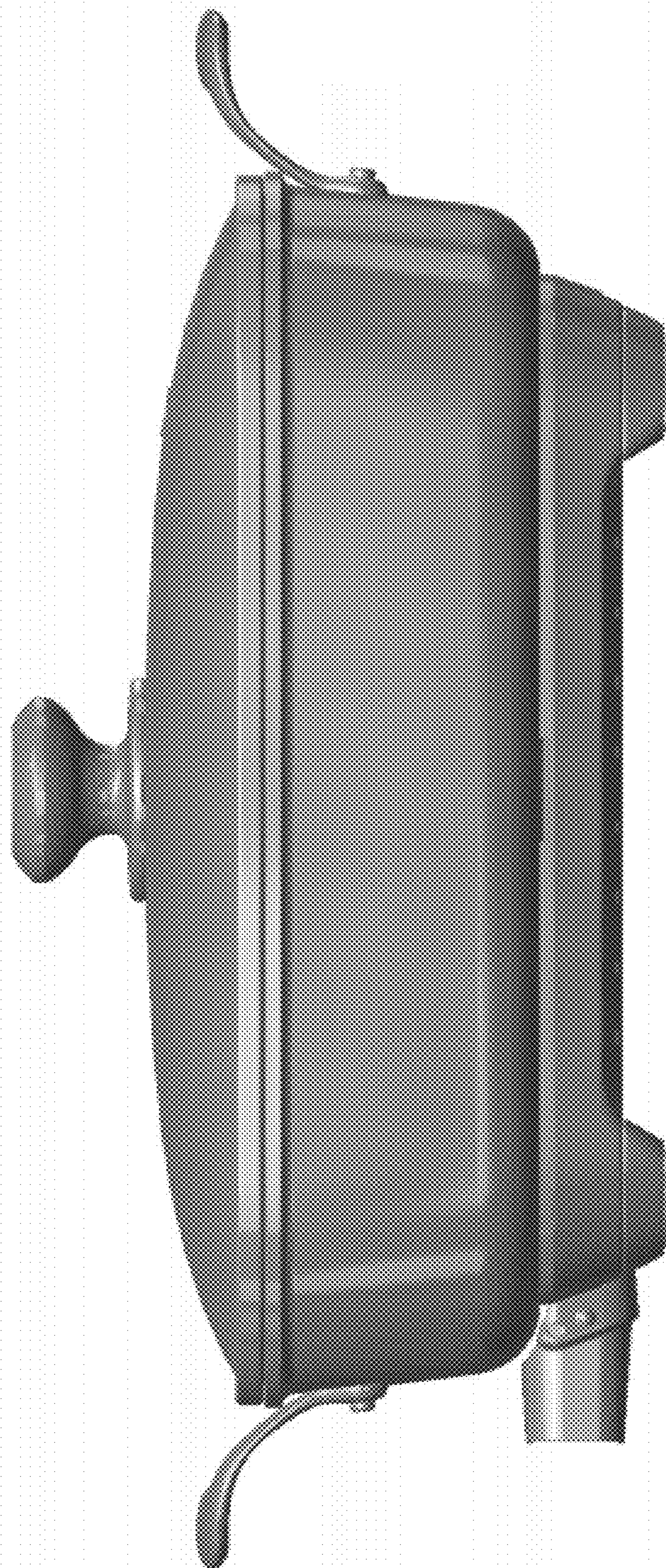


FIG. 4

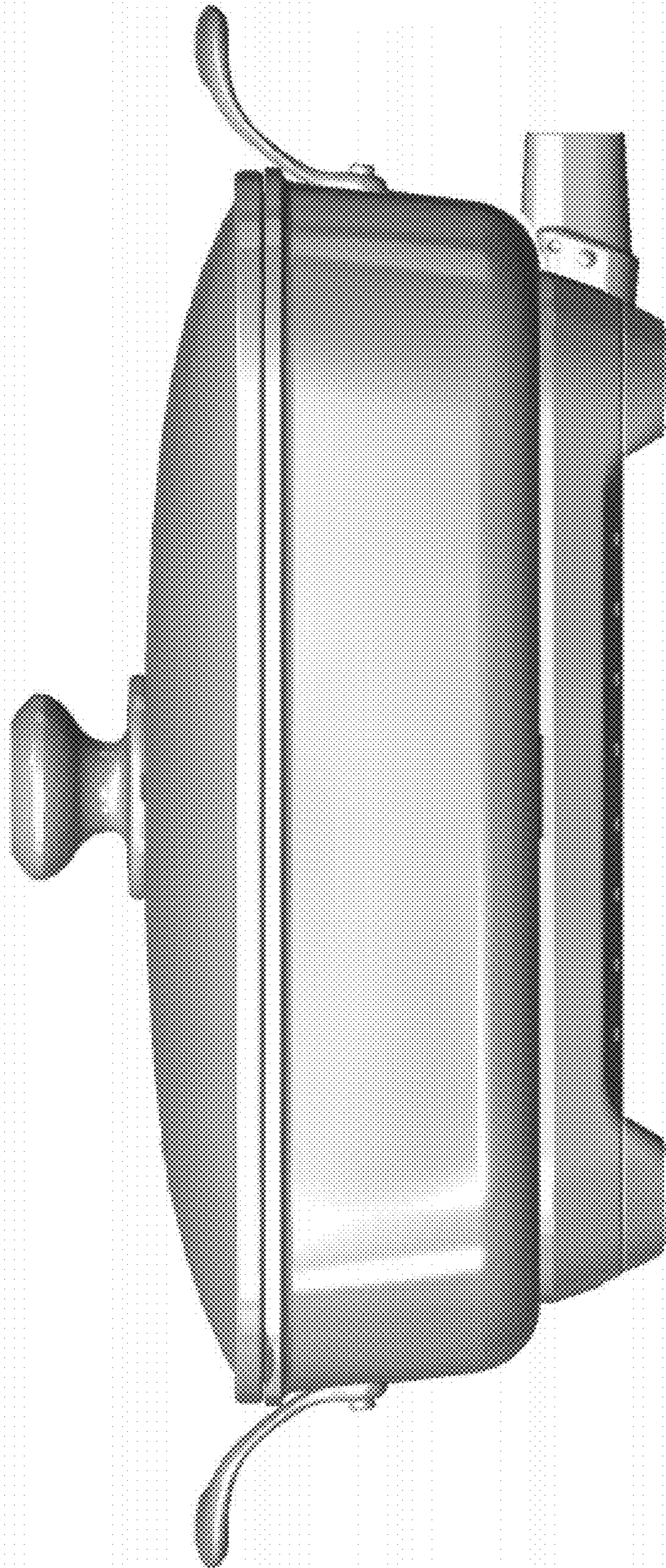


FIG. 5



FIG. 6

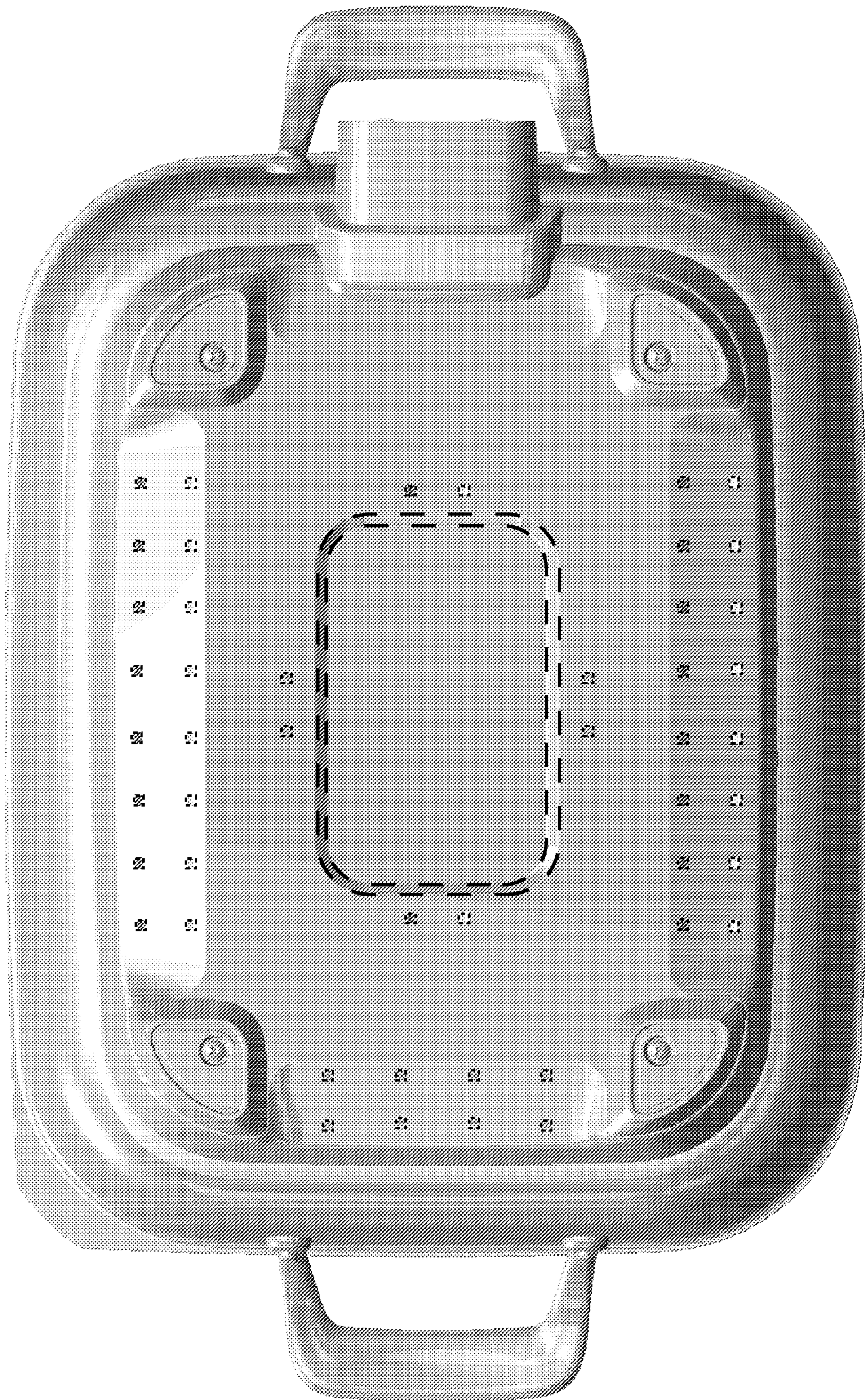


FIG. 7